



US00D820762S

(12) **United States Design Patent**  
**Badstuebner et al.**

(10) **Patent No.:** **US D820,762 S**

(45) **Date of Patent:** **\*\* Jun. 19, 2018**

(54) **WHEEL OR WHEEL COVER**

(71) Applicant: **Daimler AG**, Stuttgart (DE)

(72) Inventors: **Achim-Dietrich Badstuebner**, Munich (DE); **Karen Harutyunyan**, Rodgau (DE); **Robert Lesnik**, Leonberg (DE); **Peter Riedel**, Holzgerlingen (DE)

(73) Assignee: **Daimler AG**, Stuttgart (DE)

(\*\*) Term: **15 Years**

(21) Appl. No.: **29/599,351**

(22) Filed: **Apr. 3, 2017**

(51) **LOC (11) Cl.** ..... **12-16**

(52) **U.S. Cl.**  
USPC ..... **D12/211**

(58) **Field of Classification Search**  
USPC ..... D12/400, 204–213, 217, 501; D9/452, D9/538, 541, 546, 559, 669; D7/506, D7/539, 540, 556, 563, 567, 615, 675, D7/677; D21/763, 771, 779, 495, 561, D21/563

CPC .... B60B 7/00; B60B 7/02; B60B 7/04; B60B 7/01; B60B 7/06; B60B 3/02; B60B 3/04; B60B 3/06; B60B 3/10; B60B 1/00; B60B 1/08; B60B 1/10; B60B 1/12

See application file for complete search history.

(56) **References Cited**

**U.S. PATENT DOCUMENTS**

D383,429 S *	9/1997	Muzzarelli .....	D12/211
D476,938 S *	7/2003	Hatori .....	D12/209
D504,648 S *	5/2005	Pfeiffer .....	D12/209
D522,949 S *	6/2006	Elmitt .....	D12/211
D530,253 S *	10/2006	Coutts .....	D12/209
D530,657 S *	10/2006	Pfeiffer .....	D12/211
D531,565 S *	11/2006	Pfeiffer .....	D12/211
D574,310 S *	8/2008	Huet .....	D12/209

D579,399 S *	10/2008	Schweizer .....	D12/211
D582,331 S *	12/2008	Blasi .....	D12/209
D584,672 S *	1/2009	Osborne .....	D12/209
D619,070 S *	7/2010	Pollmann .....	D12/209
D619,073 S *	7/2010	Groom .....	D12/211
D645,391 S *	9/2011	Weil .....	D12/209
D649,923 S *	12/2011	Hans .....	D12/211
D651,956 S *	1/2012	Ectors .....	D12/209
D660,768 S *	5/2012	De Bono .....	D12/211
D669,008 S *	10/2012	von Holzhausen .....	D12/211
D675,554 S *	2/2013	Nissl .....	D12/211
D676,795 S *	2/2013	Wachter .....	D12/211
D686,966 S *	7/2013	Pollmann .....	D12/211
D688,181 S *	8/2013	Gotschke .....	D12/209
D688,616 S *	8/2013	Fetherston .....	D12/211
D714,203 S *	9/2014	George .....	D12/209
D715,715 S *	10/2014	Pollmann .....	D12/209
D723,986 S *	3/2015	Lemke .....	D12/209

(Continued)

**OTHER PUBLICATIONS**

(Design—© Questel) orbit.com.[online PDF] 38 pgs. Publish Dates range from Nov. 3, 2011 to Apr. 24, 2017. [Retrieved on Apr. 9, 2018] <https://sobjprd.questel.fr/export/QPTUJ214/pdf2/061da86f-0fa3-4a04-b3f5-5e0d33f11711-174809.pdf>.\*

*Primary Examiner* — Susan Bennett Hattan

*Assistant Examiner* — Marie D. Fast Horse

(74) *Attorney, Agent, or Firm* — Crowell & Moring LLP

(57) **CLAIM**

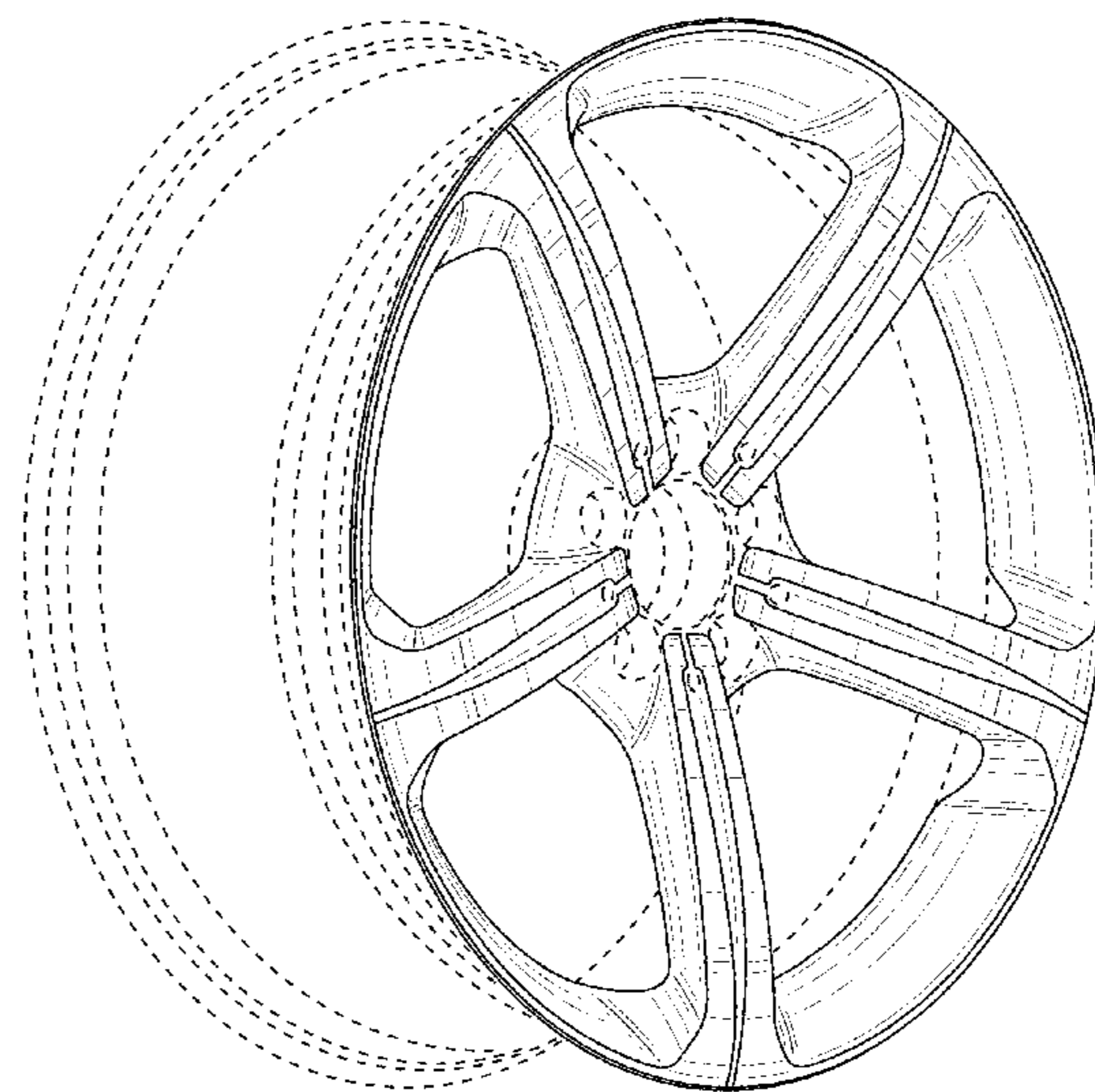
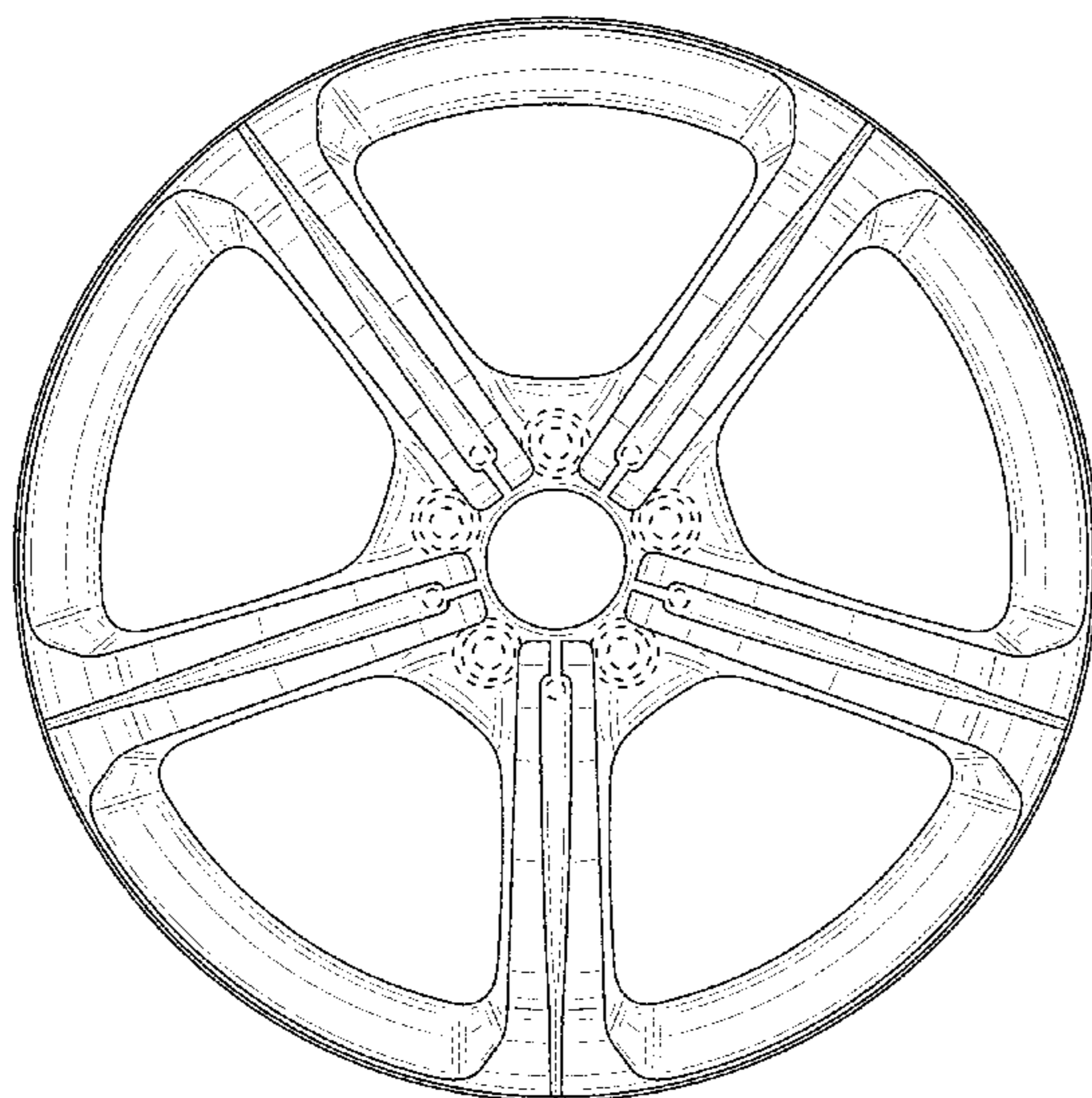
The ornamental design for a wheel or wheel cover, as shown and described.

**DESCRIPTION**

FIG. 1 is a front view of a wheel or wheel cover according to the design; and, FIG. 2 is a perspective view thereof.

The broken lines in the drawings depict environmental subject matter only and form no part of the claimed design.

**1 Claim, 2 Drawing Sheets**



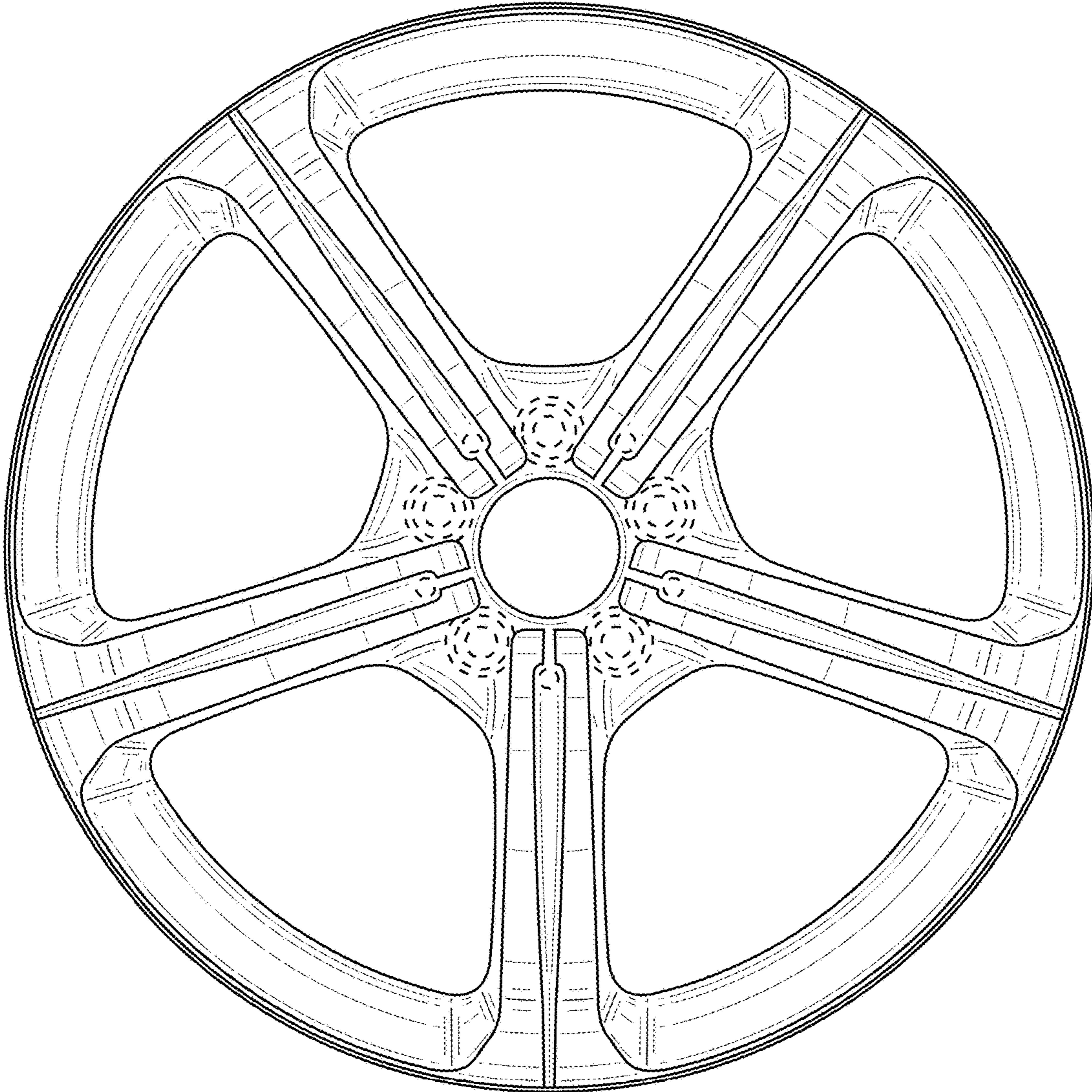
(56)

**References Cited**

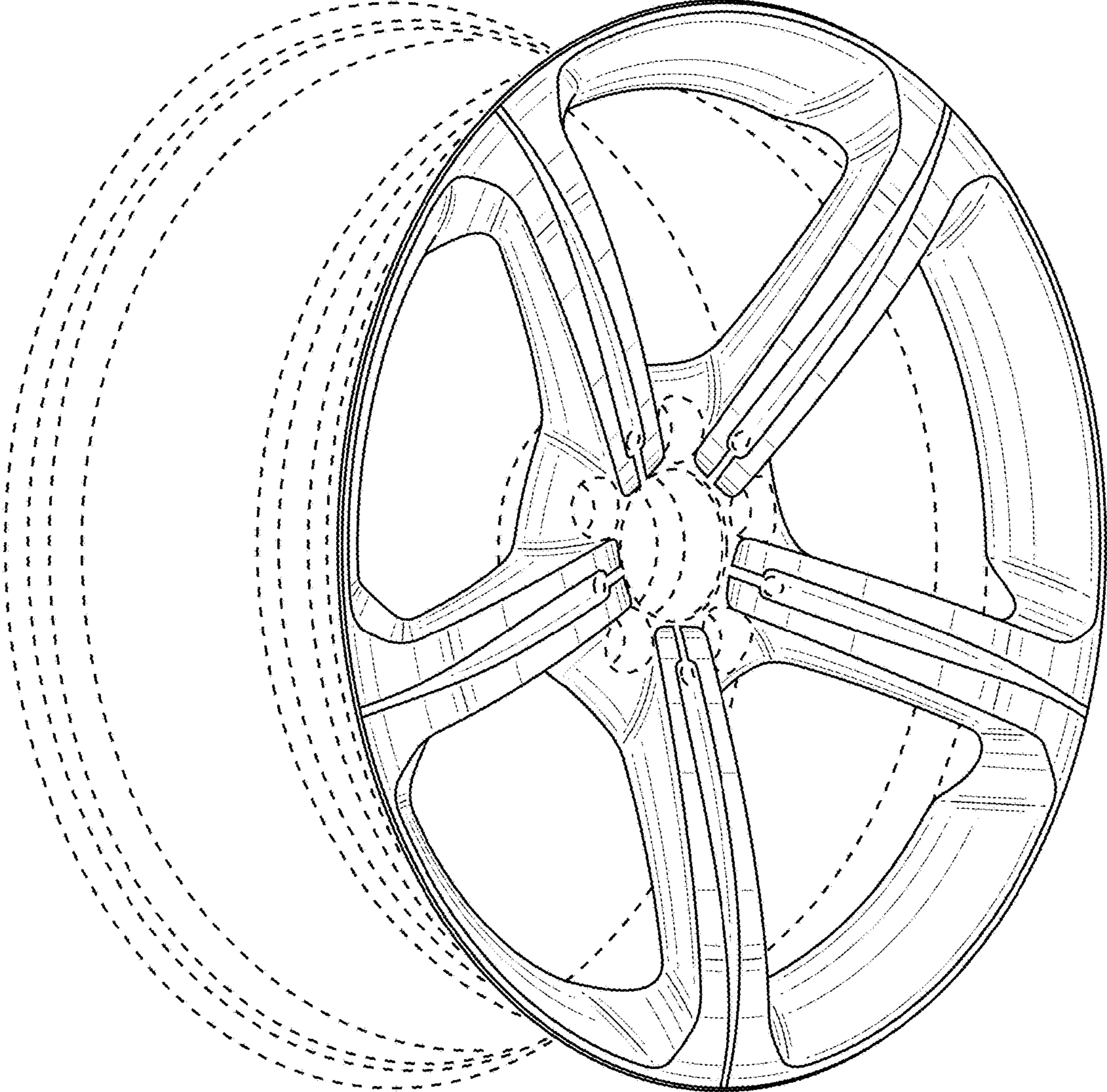
U.S. PATENT DOCUMENTS

D741,239 S *	10/2015	Wagener .....	D12/209
D753,574 S *	4/2016	Mielke .....	D12/211
D756,879 S *	5/2016	George .....	D12/211
D760,635 S *	7/2016	Bildhaeuser .....	D12/209
D767,464 S *	9/2016	Juergens .....	D12/209
D772,134 S *	11/2016	Vidojkovic .....	D12/211
D775,050 S *	12/2016	Vidojkovic .....	D12/211
D776,039 S *	1/2017	Valencia Pollex .....	D12/209
D801,901 S *	11/2017	Gardavsky .....	D12/209
D805,457 S *	12/2017	Setter .....	D12/211
D808,880 S *	1/2018	Valencia Pollex .....	D12/209

\* cited by examiner



**FIG. 1**



**FIG. 2**