



US00D820761S

(12) **United States Design Patent**  
**Badstuebner et al.**

(10) **Patent No.:** **US D820,761 S**  
(45) **Date of Patent:** **\*\* Jun. 19, 2018**

- (54) **WHEEL OR WHEEL COVER**
- (71) Applicant: **Daimler AG**, Stuttgart (DE)
- (72) Inventors: **Achim-Dietrich Badstuebner**, Munich (DE); **Robert Lesnik**, Leonberg (DE); **Slavche Tanevski**, Munich (DE)
- (73) Assignee: **Daimler AG**, Stuttgart (DE)
- (\*\*) Term: **15 Years**
- (21) Appl. No.: **29/599,350**
- (22) Filed: **Apr. 3, 2017**
- (51) **LOC (11) Cl.** ..... **12-16**
- (52) **U.S. Cl.**  
USPC ..... **D12/211**
- (58) **Field of Classification Search**  
USPC ..... D12/400, 204–213, 217, 501; D9/452, D9/538, 541, 546, 559, 669; D7/506, D7/539, 540, 556, 563, 567, 615, 675, D7/677; D21/763, 771, 779, 495, 561, D21/563  
CPC .... B60B 7/00; B60B 7/02; B60B 7/04; B60B 7/01; B60B 7/06; B60B 3/02; B60B 3/04; B60B 3/06; B60B 3/10; B60B 1/00; B60B 1/08; B60B 1/10; B60B 1/12  
See application file for complete search history.

(56) **References Cited**

**U.S. PATENT DOCUMENTS**

D402,951 S	*	12/1998	Wechner	.....	D12/211
D432,071 S	*	10/2000	Brown	.....	D12/211
D479,178 S	*	9/2003	Lai	.....	D12/211
D515,493 S	*	2/2006	Schaefers	.....	D12/211
D522,954 S	*	6/2006	Hueller	.....	D12/211
D526,947 S	*	8/2006	Kim	.....	D12/209
D526,948 S	*	8/2006	Truebsbach	.....	D12/211
D566,642 S	*	4/2008	Scheu	.....	D12/211

D567,738 S	*	4/2008	Habib	.....	D12/211
D568,800 S	*	5/2008	Huet	.....	D12/211
D585,010 S	*	1/2009	Pollmann	.....	D12/211
D617,719 S	*	6/2010	Zhao	.....	D12/211
D619,952 S	*	7/2010	Juergens	.....	D12/211
D620,870 S	*	8/2010	Powell	.....	D12/211
D622,649 S	*	8/2010	Weil	.....	D12/209
D635,499 S	*	4/2011	Nissl	.....	D12/211
D638,768 S	*	5/2011	Nissl	.....	D12/211
D639,224 S	*	6/2011	Szews	.....	D12/211
D648,664 S	*	11/2011	Faghihzadeh	.....	D12/209
D655,659 S	*	3/2012	Schweizer	.....	D12/209
D658,107 S	*	4/2012	Pollmann	.....	D12/211
D663,249 S	*	7/2012	Zhang	.....	D12/211
D666,953 S	*	9/2012	Pollmann	.....	D12/209
D667,769 S	*	9/2012	Pollmann	.....	D12/209
D710,287 S	*	8/2014	Ishii	.....	D12/209
D720,274 S	*	12/2014	Mielke	.....	D12/211
D723,996 S	*	3/2015	Zhao	.....	D12/211
D727,234 S	*	4/2015	Caswell	.....	D12/211
D730,800 S	*	6/2015	Behmer	.....	D12/211
D732,450 S	*	6/2015	Guille	.....	D12/209
D751,488 S	*	3/2016	Zhao	.....	D12/211
D756,286 S	*	5/2016	Zhao	.....	D12/211
D768,048 S	*	10/2016	Johnson	.....	D12/211

(Continued)

*Primary Examiner* — Susan Bennett Hattan  
*Assistant Examiner* — Marie D. Fast Horse  
(74) *Attorney, Agent, or Firm* — Crowell & Moring LLP

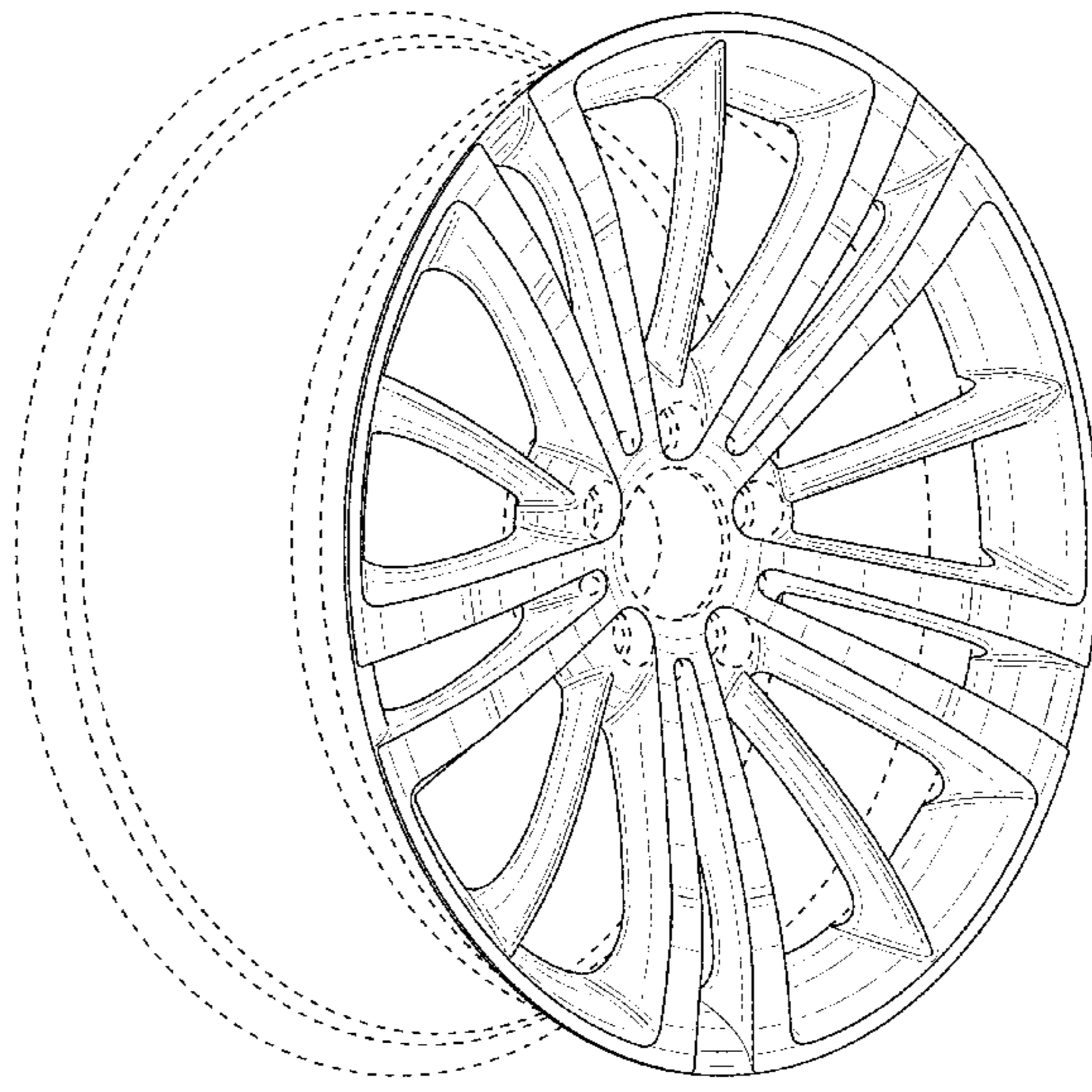
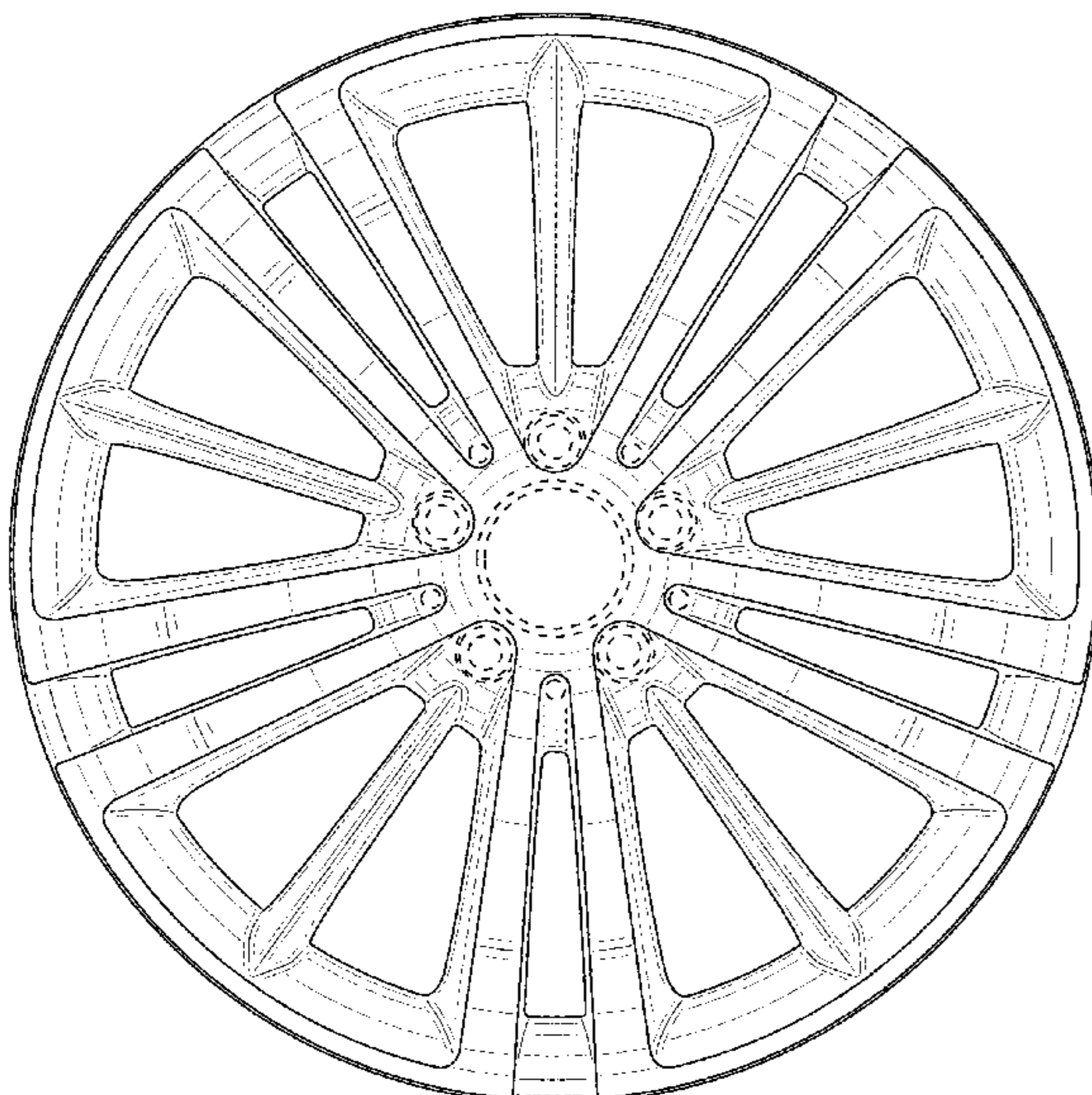
(57) **CLAIM**

The ornamental design for a wheel or wheel cover, as shown and described.

**DESCRIPTION**

FIG. 1 is a front view of a wheel or wheel cover according to the design; and,  
FIG. 2 is a perspective view thereof.  
The broken lines in the drawings depict environmental subject matter only and form no part of the claimed design.

**1 Claim, 2 Drawing Sheets**



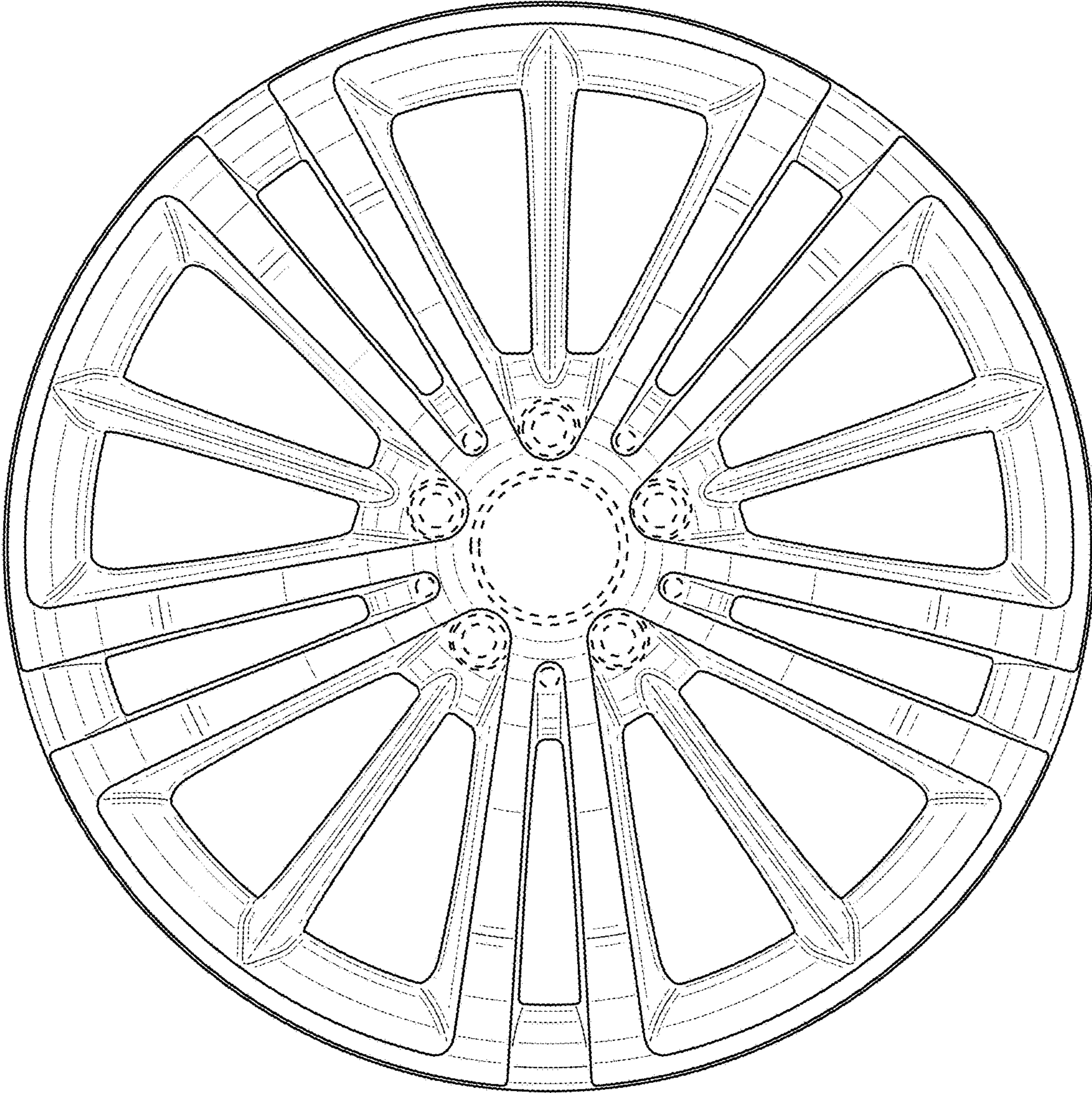
(56)

**References Cited**

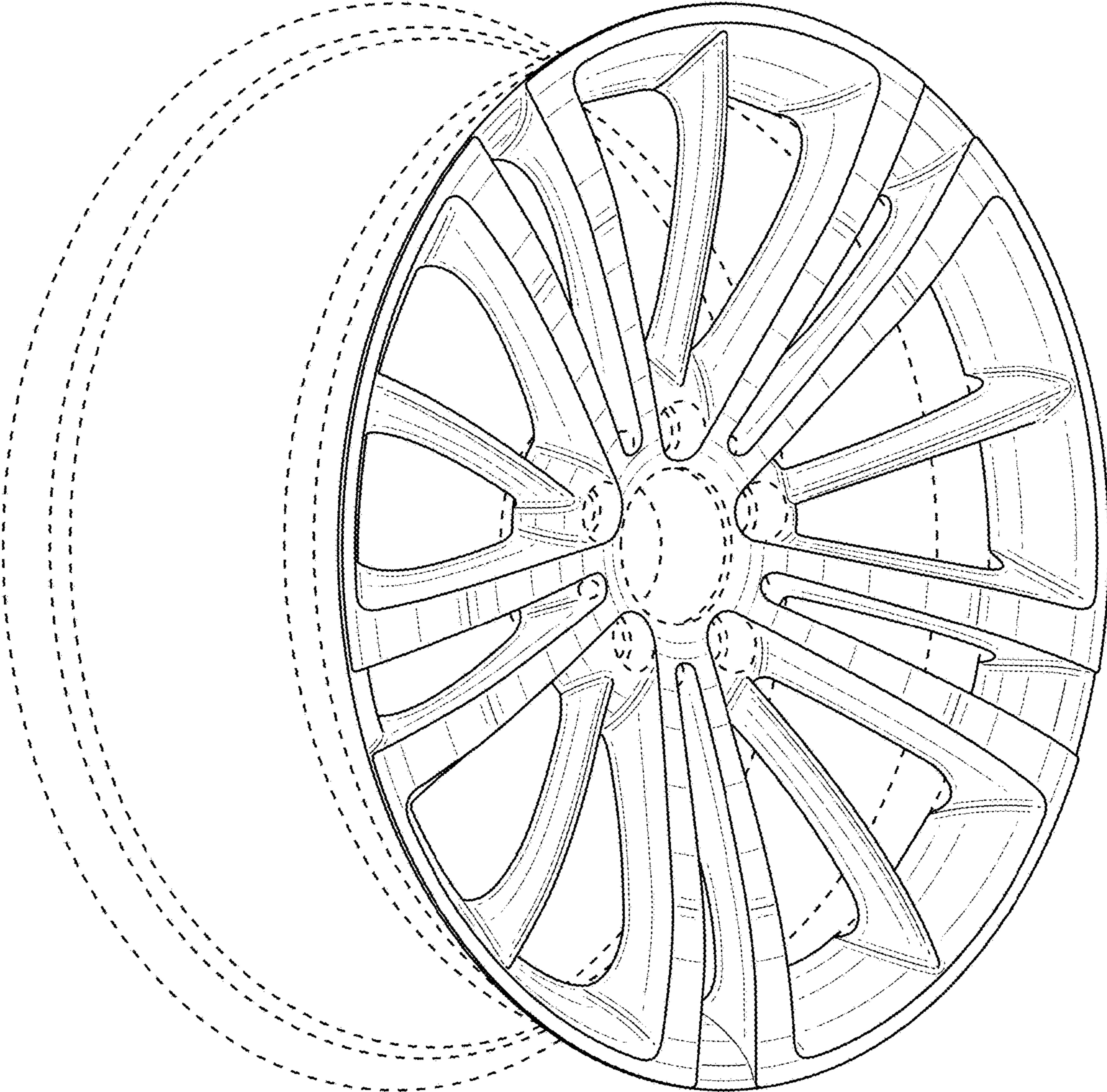
U.S. PATENT DOCUMENTS

D776,594 S *	1/2017	Rueckheim .....	D12/209
D777,639 S *	1/2017	Krause .....	D12/209
D777,640 S *	1/2017	Bazinski .....	D12/211
D792,311 S *	7/2017	Gallert .....	D12/211
D806,632 S *	1/2018	Peat .....	D12/211

\* cited by examiner



**FIG. 1**



**FIG. 2**