



US00D820760S

(12) **United States Design Patent**
Thornburg

(10) **Patent No.:** **US D820,760 S**

(45) **Date of Patent:** **** Jun. 19, 2018**

- (54) **WHEEL**
- (71) Applicant: **Mark Thornburg**, Huntington Beach, CA (US)
- (72) Inventor: **Mark Thornburg**, Huntington Beach, CA (US)
- (**) Term: **15 Years**
- (21) Appl. No.: **29/607,362**
- (22) Filed: **Jun. 13, 2017**
- (51) **LOC (11) Cl.** **12-16**
- (52) **U.S. Cl.**
USPC **D12/209**
- (58) **Field of Classification Search**
USPC D12/204–213; D21/533, 561, 563
CPC B60B 7/00; B60B 7/02; B60B 7/04; B60B 7/06; B60B 3/02; B60B 3/04; B60B 3/06; B60B 3/10; B60B 1/00; B60B 1/08; B60B 1/10; B60B 1/12
See application file for complete search history.

- D726,087 S 4/2015 Breyton
- D751,487 S 3/2016 Harriton
- D754,046 S * 4/2016 Chung D12/209
- D758,944 S 6/2016 Rolfs et al.
- D763,160 S * 8/2016 Hashimoto D12/209
- D765,007 S * 8/2016 Chung D12/211
- D767,465 S * 9/2016 Liffick D12/209
- D775,048 S 12/2016 Rueckheim
- D780,654 S 3/2017 Gallert
- D781,197 S * 3/2017 Ninov D12/209
- D782,383 S * 3/2017 Owens D12/209
- D783,498 S 4/2017 Platto et al.
- D783,501 S 4/2017 Valencia Pollex
- D787,406 S 5/2017 Piscitelli et al.
- D791,037 S 7/2017 Macey et al.
- D791,047 S 7/2017 Bucher et al.
- D793,323 S 8/2017 Valencia Pollex

(Continued)

OTHER PUBLICATIONS

US Trademark Registration No. 5093093; Mark—MRT Filing date: Nov. 19, 2015.

(Continued)

Primary Examiner — Sheryl Lane
Assistant Examiner — Calvin E Vansant
(74) *Attorney, Agent, or Firm* — Raj Abhyanker, P.C.

(56) **References Cited**

U.S. PATENT DOCUMENTS

- D353,571 S * 12/1994 Braungart D12/211
- D499,061 S * 11/2004 Echazabal D12/209
- D528,061 S * 9/2006 Saridakis D12/211
- D658,106 S * 4/2012 Thurner D12/211
- D660,772 S 5/2012 Gotschke et al.
- D667,356 S 9/2012 Gotschke
- D669,008 S 10/2012 Von Holzhausen et al.
- D673,103 S 12/2012 Song et al.
- D678,164 S 3/2013 Badstuebner
- D691,938 S 10/2013 Churchill et al.
- D709,428 S * 7/2014 Chung D12/209
- D714,202 S * 9/2014 Kim D12/209
- D714,707 S * 10/2014 Chung D12/211
- D715,211 S 10/2014 Gotschke et al.
- D719,893 S 12/2014 Kim

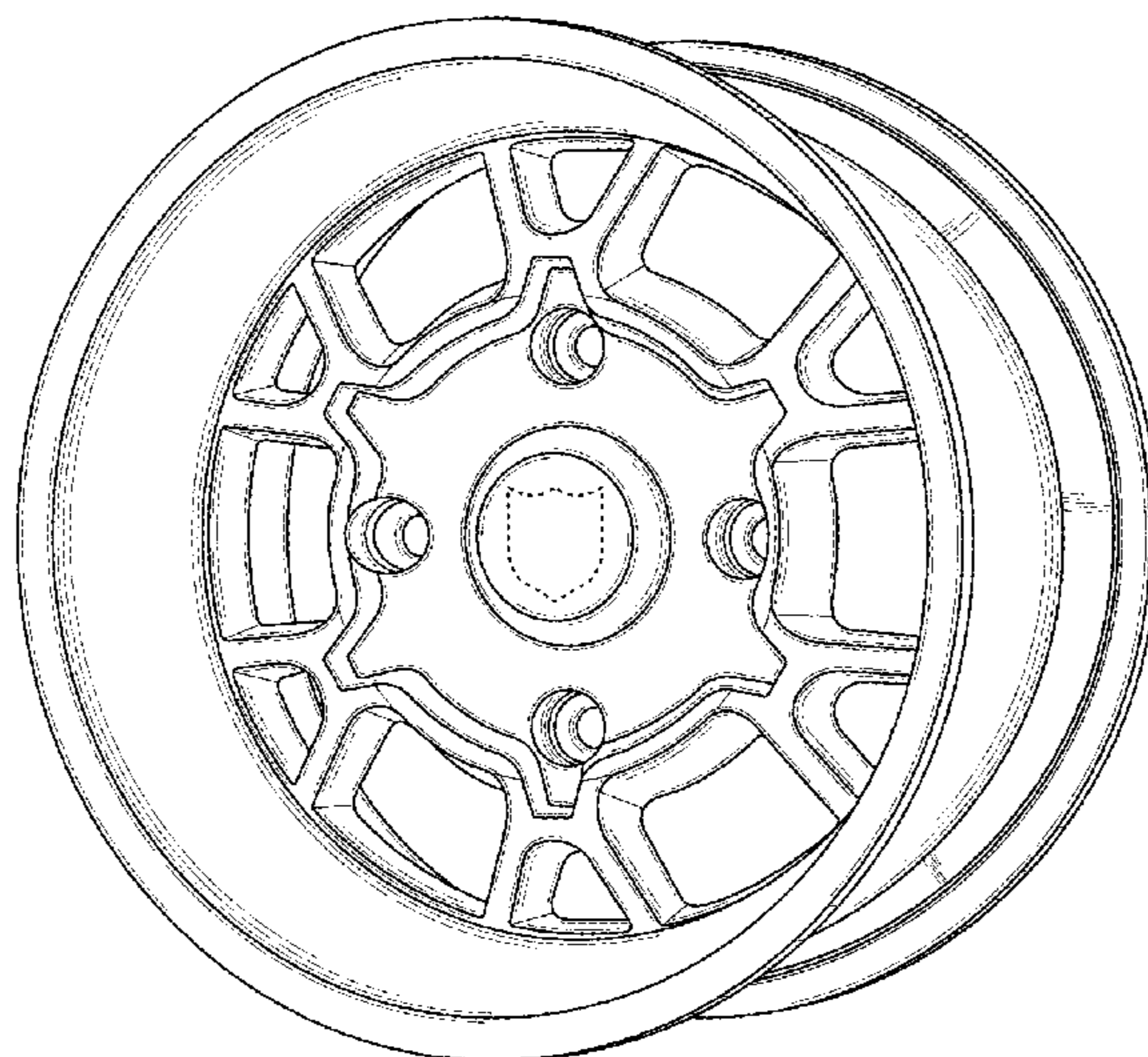
(57) **CLAIM**

The ornamental design for a wheel, as shown and described.

DESCRIPTION

FIG. 1 is a front right side perspective view for a wheel, showing my new design;
FIG. 2 is a front bottom perspective view of FIG. 1 thereof; and,
FIG. 3 is a front elevational view of FIG. 1 thereof.
The broken lines indicate unclaimed portions of the design and form no part of the claimed design.

1 Claim, 3 Drawing Sheets



(56)

References Cited

U.S. PATENT DOCUMENTS

D797,028 S 9/2017 Chung
 D800,044 S * 10/2017 Ghobrial D12/209

OTHER PUBLICATIONS

US Trademark Serial No. 86487154; Mark—MOTO X Trail Filing date: Dec. 20, 2014.
 US Trademark Registration No. 4912027; Mark—MOTO Race Filing date: Nov. 6, 2014 Publication date: Dec. 22, 2015.
 US Trademark Registration No. 4764160; Mark—MOTO Attack Filing date: Nov. 7, 2014 Publication date: Apr. 14, 2015.
 US Trademark Serial No. 86446250; Mark—MOTO Sand Filing date: Nov. 6, 2014.
 US Trademark Registration No. 4760168; Mark—MOTO Crawler Filing date: Nov. 5, 2014 Publication date: Apr. 7, 2015.
 US Trademark Serial No. 86447598; Mark—MOTO Hammer Filing date: Nov. 7, 2014.
 US Trademark Serial No. 86358403; Mark—MOTO Filing date: Aug. 6, 2014.
 US Trademark Serial No. 86405638; Mark—MOTO Race Tire Filing date: Sep. 25, 2014.
 “16" Grip Graphite Van Wheels” by Alutec, Found Online [Sep. 22, 2017] <http://www.circumferencewheels.co.uk/ekmps/shops/wheels1/images/16-alutec-grip-transporter-graphite-van-wheels-7027-p.jpg>.

“15" Type F—Fanatic Matt Black” by Autec, Found Online [Sep. 22, 2017] <http://www.circumferencewheels.co.uk/ekmps/shops/wheels1/images/15-autec-type-f-fanatic-matt-black-411-p.jpg>.
 “15" GB Poison Racing Black” by Wolfrace, Found Online [Sep. 22, 2017] <http://www.circumferencewheels.co.uk/ekmps/shops/wheels1/images/15-Wolfrace-GB-Poison-Racing-Black-3518-p.jpg>.
 “16" GB Bavaro—Polar Silver” by Wolfrace, Found Online [Sep. 22, 2017] <http://www.circumferencewheels.co.uk/ekmps/shops/wheels1/images/16-wolfrace-gb-bavaro-polar-silver-3425-p.jpg>.
 “Radial Racing Grey” by ATS, Found Online [Sep. 22, 2017] <http://www.circumferencewheels.co.uk/ekmps/shops/wheels1/images/ats-radial-racing-grey-1317-p.jpg>.
 “16" Dominator Black/Polished Van Wheels” by Calibre, Found Online [Sep. 22, 2017] <http://www.circumferencewheels.co.uk/ekmps/shops/wheels1/images/16-calibre-dominator-black-polished-van-wheels-435-p.jpg>.
 “151 Alloy Wheel” by Mazda, Found Online [Sep. 22, 2017] http://mazda-3.sgpetch.co.uk/admin/system-content/accessory_images/Mazda/3/Design_151_Alloy_Wheel_large.jpg.
 “Vegas wheel” by Corniche, Found Online [Sep. 22, 2017] <http://www.automobilesreview.com/gallery/corniche-vegas-wheel-design/corniche-vegas-01.jpg>.
 “Hubcaps Honda Civic Wheel Covers” by Discountwheelcovers, Found Online [Sep. 22, 2017] https://images-na.ssl-images-amazon.com/images/I/81D92jMUHqL._SL1500_.jpg.

* cited by examiner

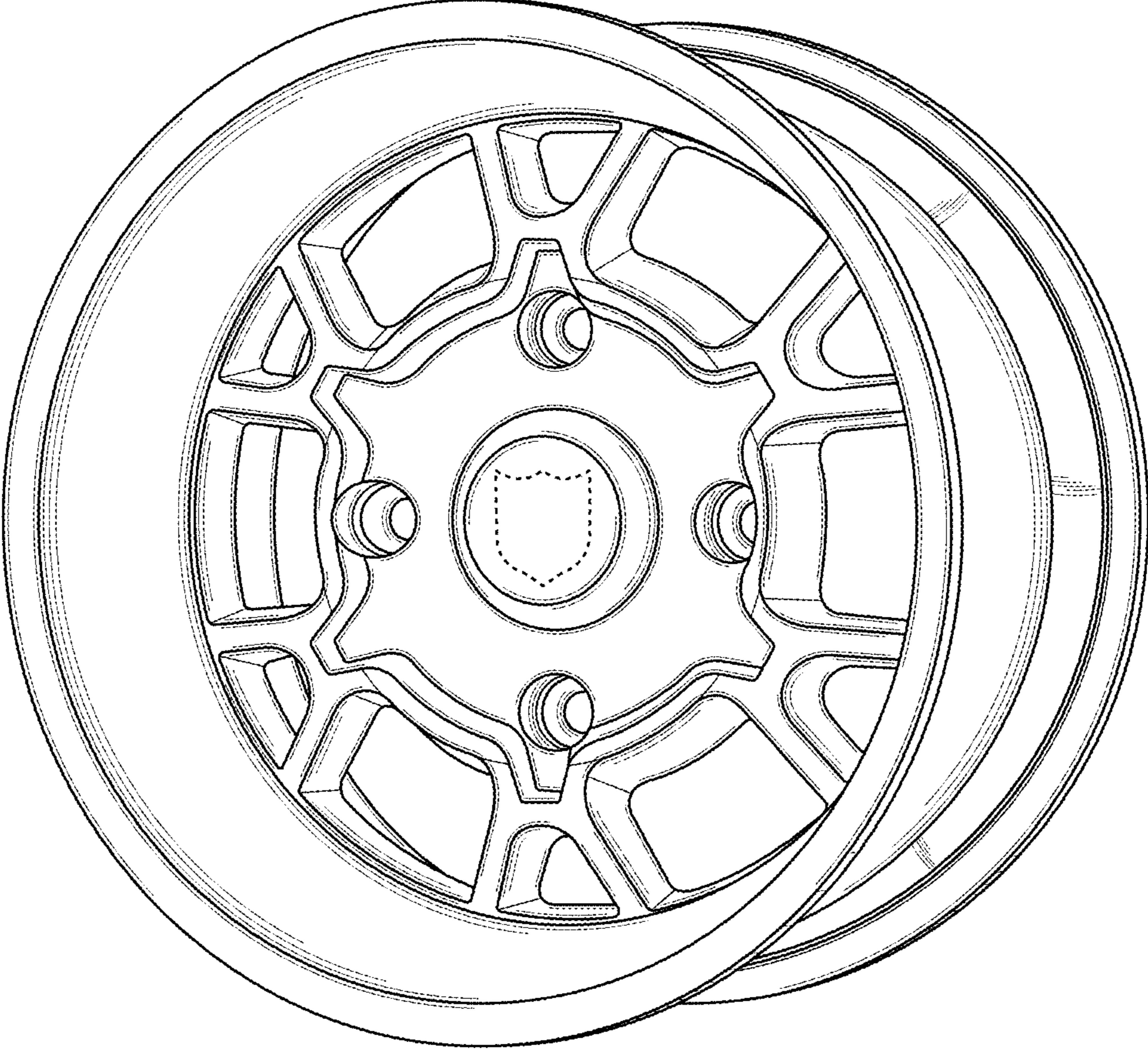


FIG. 1

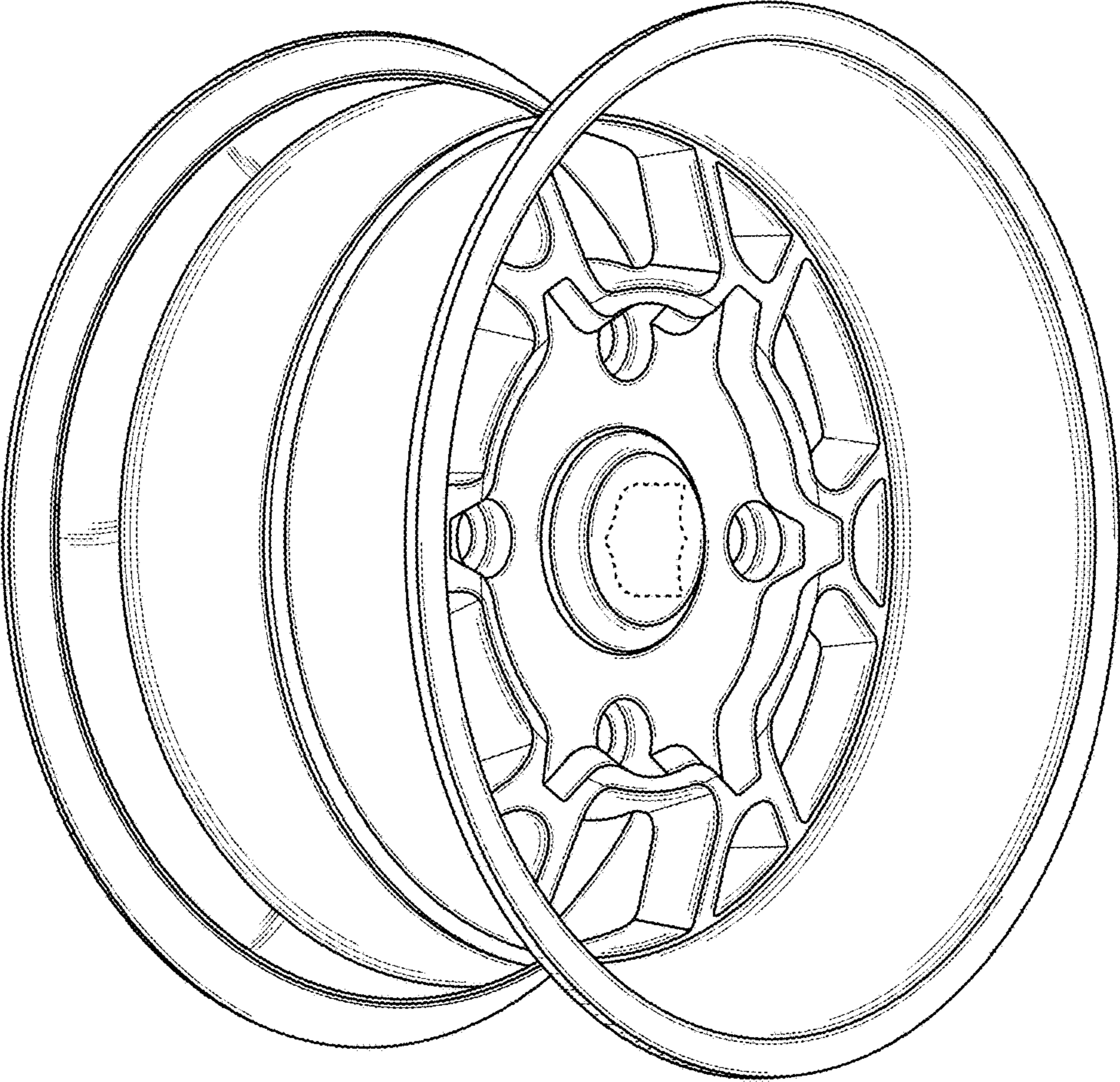


FIG. 2

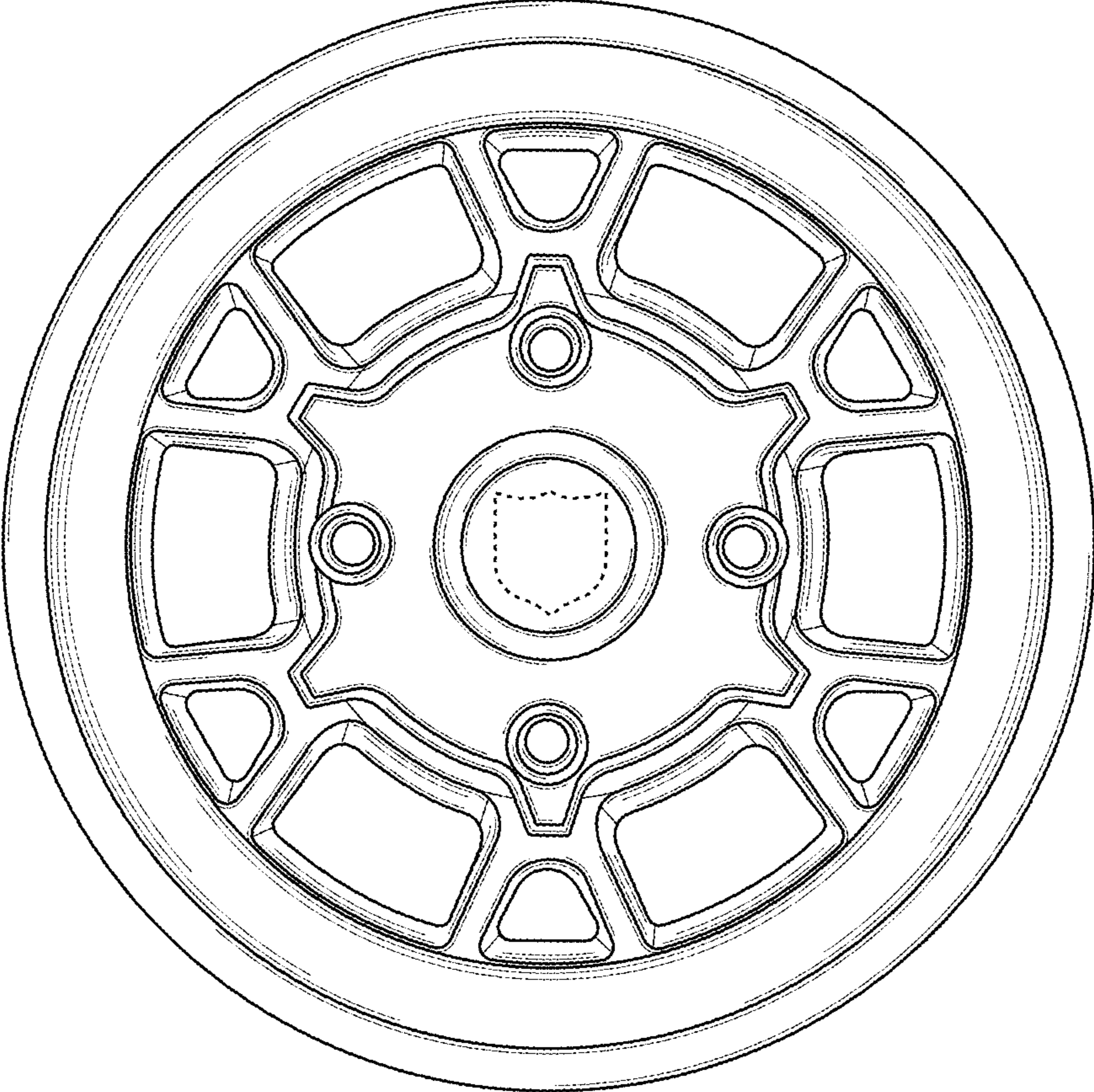


FIG. 3