



US00D820758S

(12) **United States Design Patent**  
**Austin**

(10) **Patent No.:** **US D820,758 S**

(45) **Date of Patent:** **\*\* Jun. 19, 2018**

(54) **WHEEL**

(71) Applicant: **Jaguar Land Rover Limited**, Whitley,  
Coventry (GB)

(72) Inventor: **Robin Austin**, Coventry (GB)

(73) Assignee: **Jaguar Land Rover Limited**, Whitley,  
Coventry (GB)

(\*\*) Term: **15 Years**

(21) Appl. No.: **29/591,232**

(22) Filed: **Jan. 18, 2017**

(30) **Foreign Application Priority Data**

Aug. 18, 2016 (EM) ..... 003345347-0005  
Aug. 18, 2016 (EM) ..... 003345347-0006  
Aug. 18, 2016 (EM) ..... 003345347-0007

(51) **LOC (11) Cl.** ..... **12-16**

(52) **U.S. Cl.**  
USPC ..... **D12/209**

(58) **Field of Classification Search**  
USPC ..... D12/204–213  
CPC .... B60B 7/00; B60B 7/02; B60B 7/04; B60B  
7/06; B60B 3/02; B60B 3/04; B60B 3/06;  
B60B 3/10

See application file for complete search history.

(56) **References Cited**

**U.S. PATENT DOCUMENTS**

D671,060 S \* 11/2012 Baum ..... D12/209  
D697,858 S \* 1/2014 Kito ..... D12/209  
D770,352 S \* 11/2016 Sze ..... D12/209  
D774,438 S \* 12/2016 Valencia Pollex ..... D12/209  
D790,424 S \* 6/2017 Valencia Pollex ..... D12/209

D790,426 S \* 6/2017 Valencia Pollex ..... D12/209  
D795,777 S \* 8/2017 Valencia Pollex ..... D12/211  
D801,252 S \* 10/2017 McMath ..... D12/209  
D808,322 S \* 1/2018 Sempek ..... D12/209

\* cited by examiner

*Primary Examiner* — Sheryl Lane

*Assistant Examiner* — Calvin E Vansant

(74) *Attorney, Agent, or Firm* — Wood Herron & Evans  
LLP

(57) **CLAIM**

The ornamental design for a wheel, as shown and described.

**DESCRIPTION**

FIG. 1 is a front left perspective view of a wheel for a vehicle according to the present invention.

FIG. 2 is a front right perspective view thereof.

FIG. 3 is a front view thereof.

FIG. 4 is a left side view thereof.

FIG. 5 is a right side view thereof.

FIG. 6 is a front left perspective view of a wheel for a vehicle according to an alternative embodiment of the present invention.

FIG. 7 is a front right perspective view thereof.

FIG. 8 is a front view thereof.

FIG. 9 is a left side view thereof.

FIG. 10 is a right side view thereof.

FIG. 11 is a front left perspective view of a wheel for a vehicle according to a second alternative embodiment of the present invention.

FIG. 12 is a front right perspective view thereof.

FIG. 13 is a front view thereof.

FIG. 14 is a left side view thereof; and,

FIG. 15 is a right side view thereof.

The broken lines depict portions of the wheel that form no part of the claim.

**1 Claim, 9 Drawing Sheets**

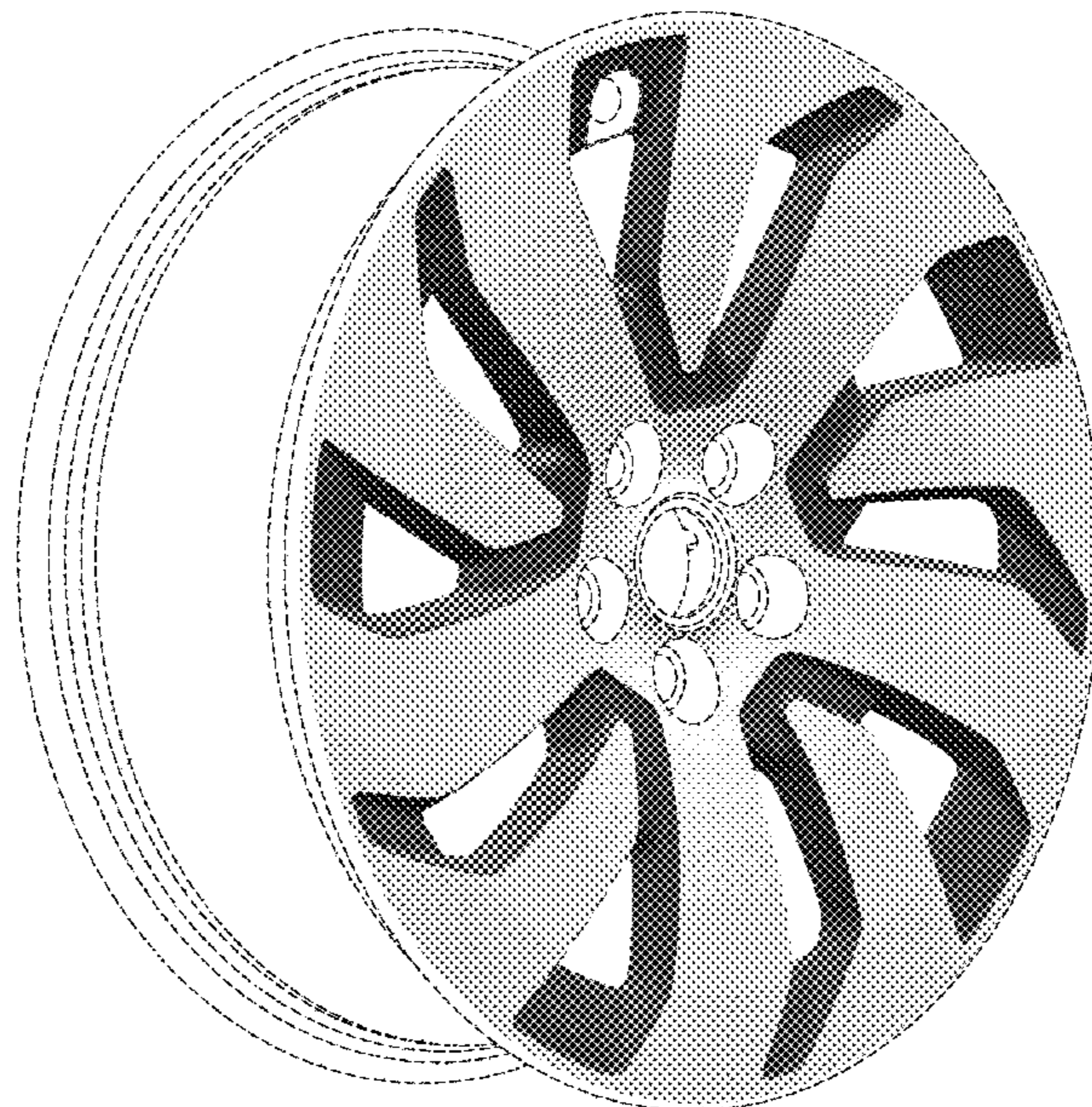




FIG. 1

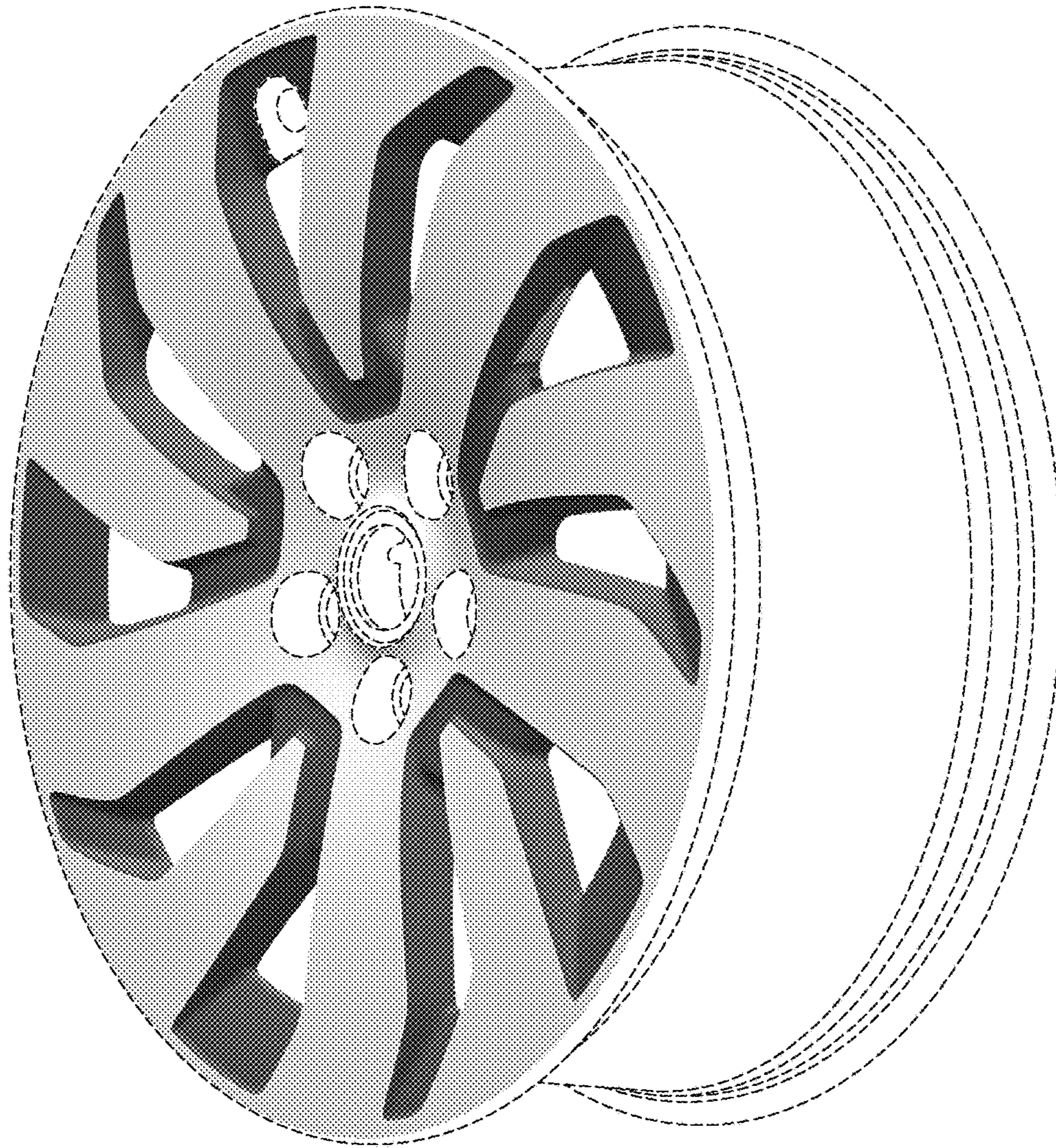


FIG. 2

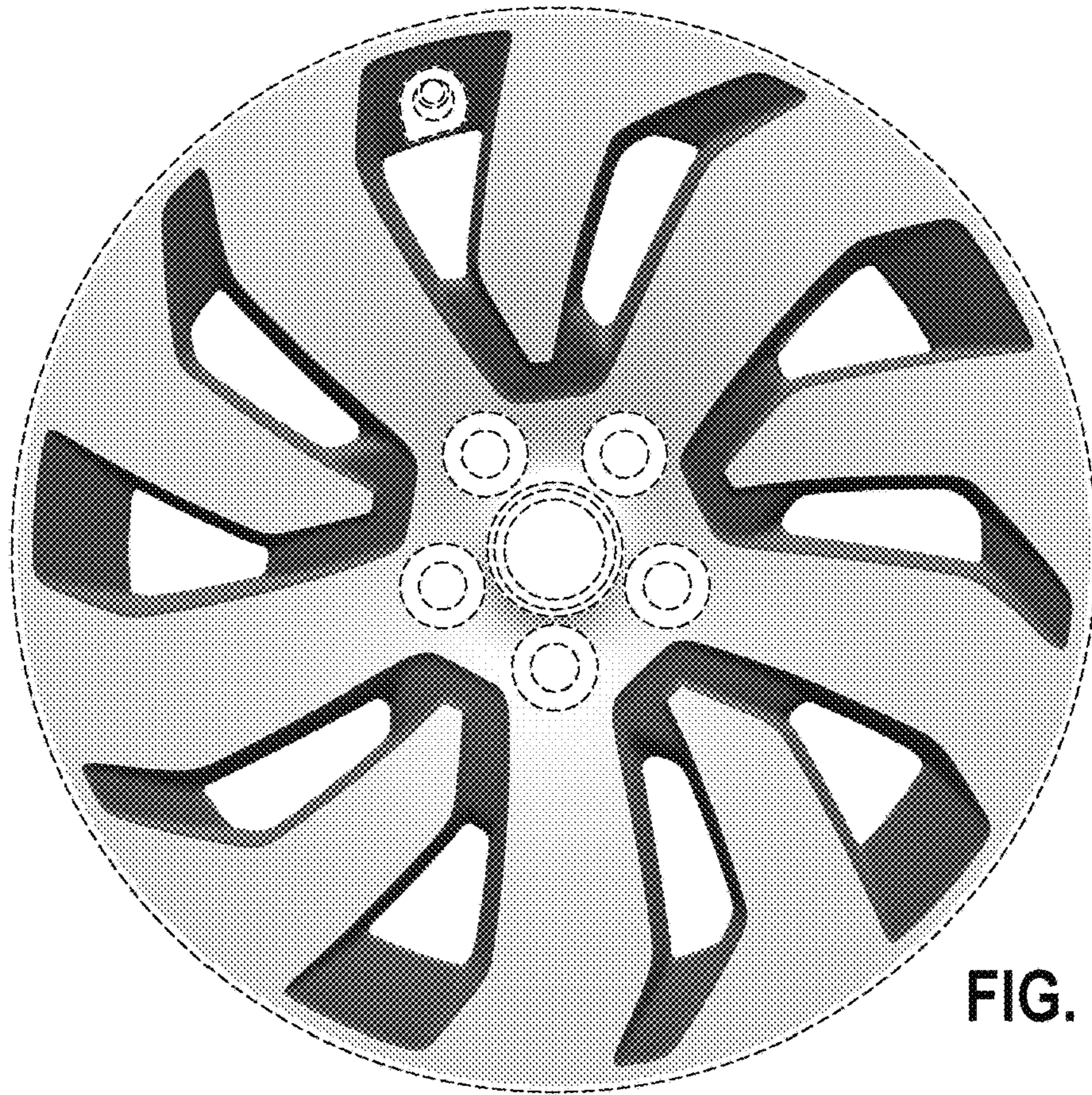


FIG. 3

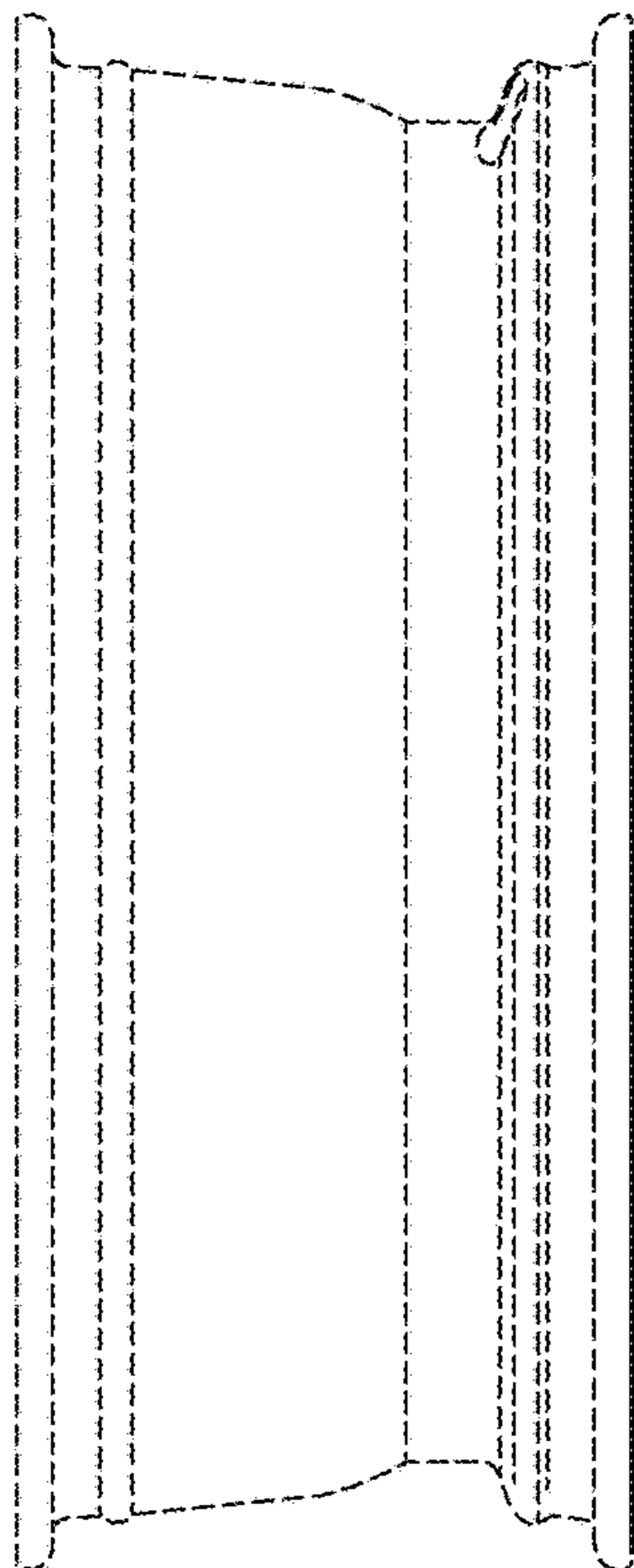


FIG. 4

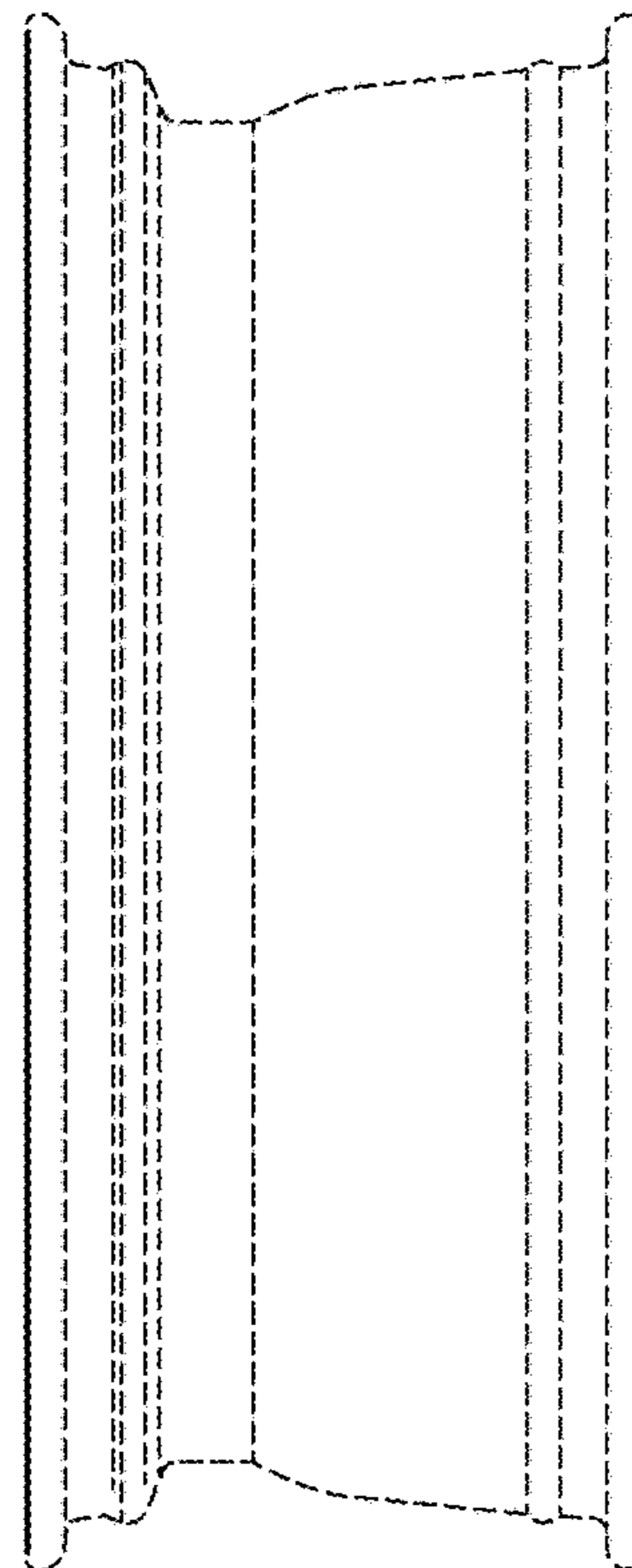


FIG. 5

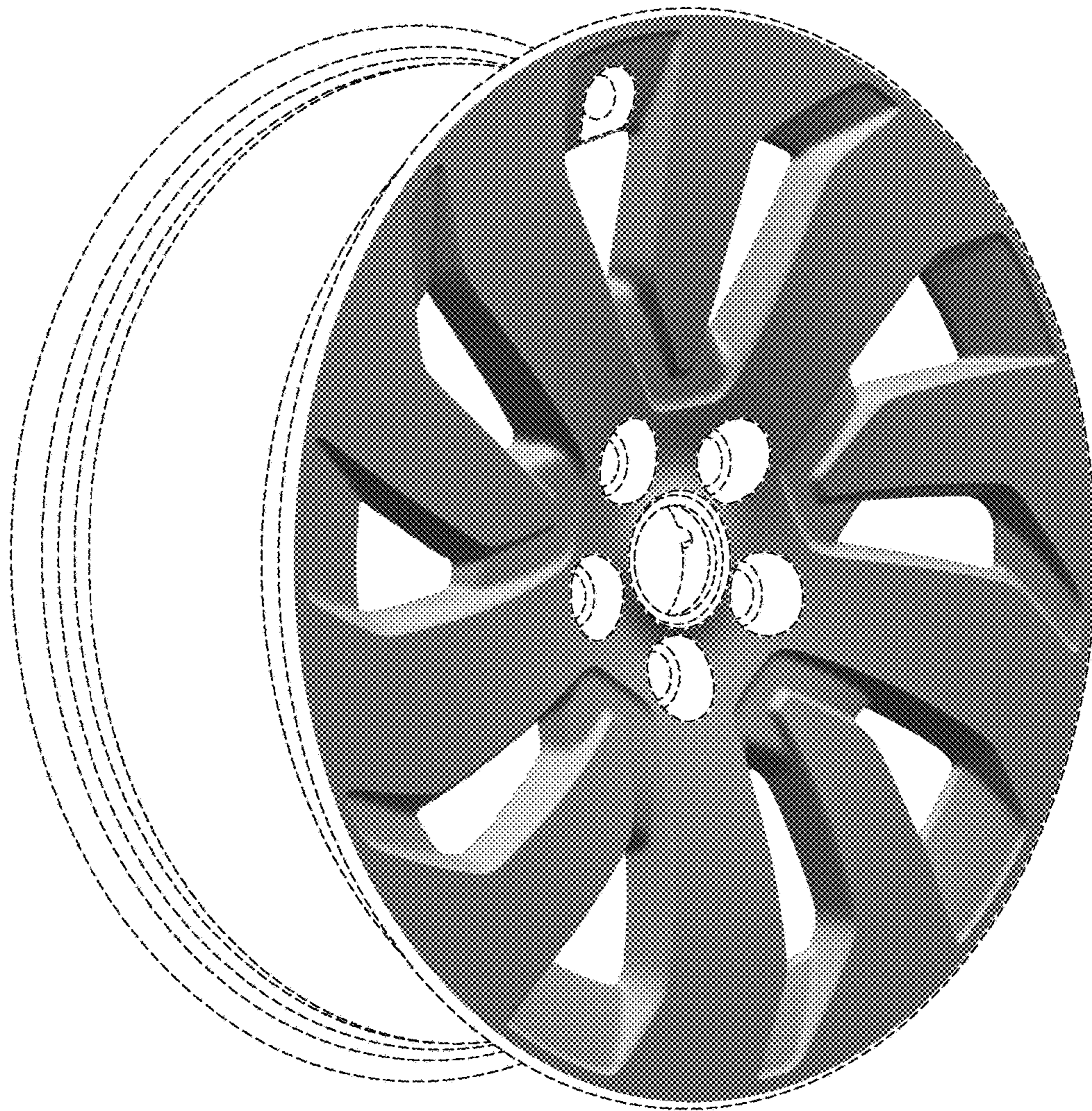


FIG. 6

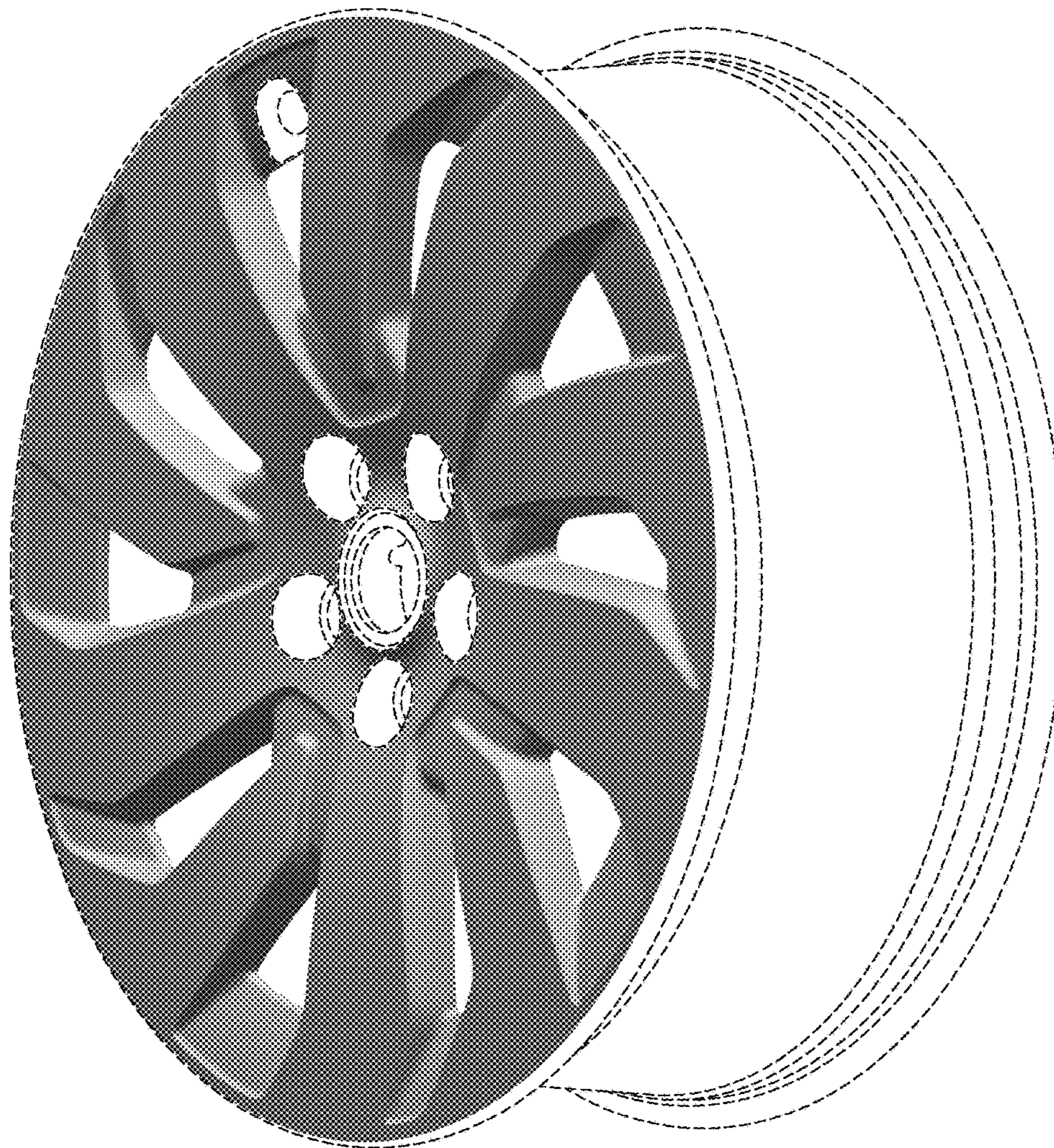


FIG. 7

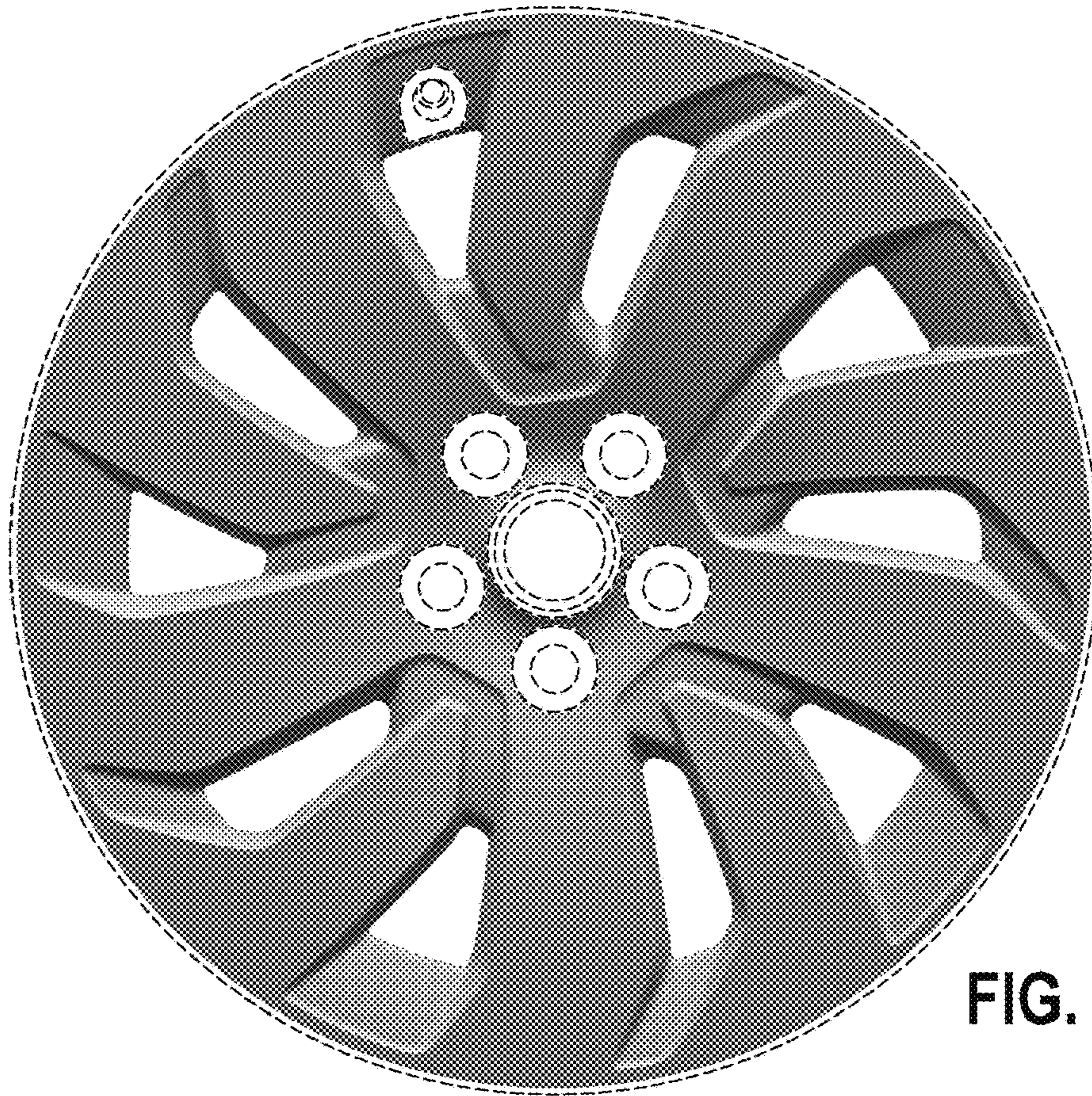


FIG. 8

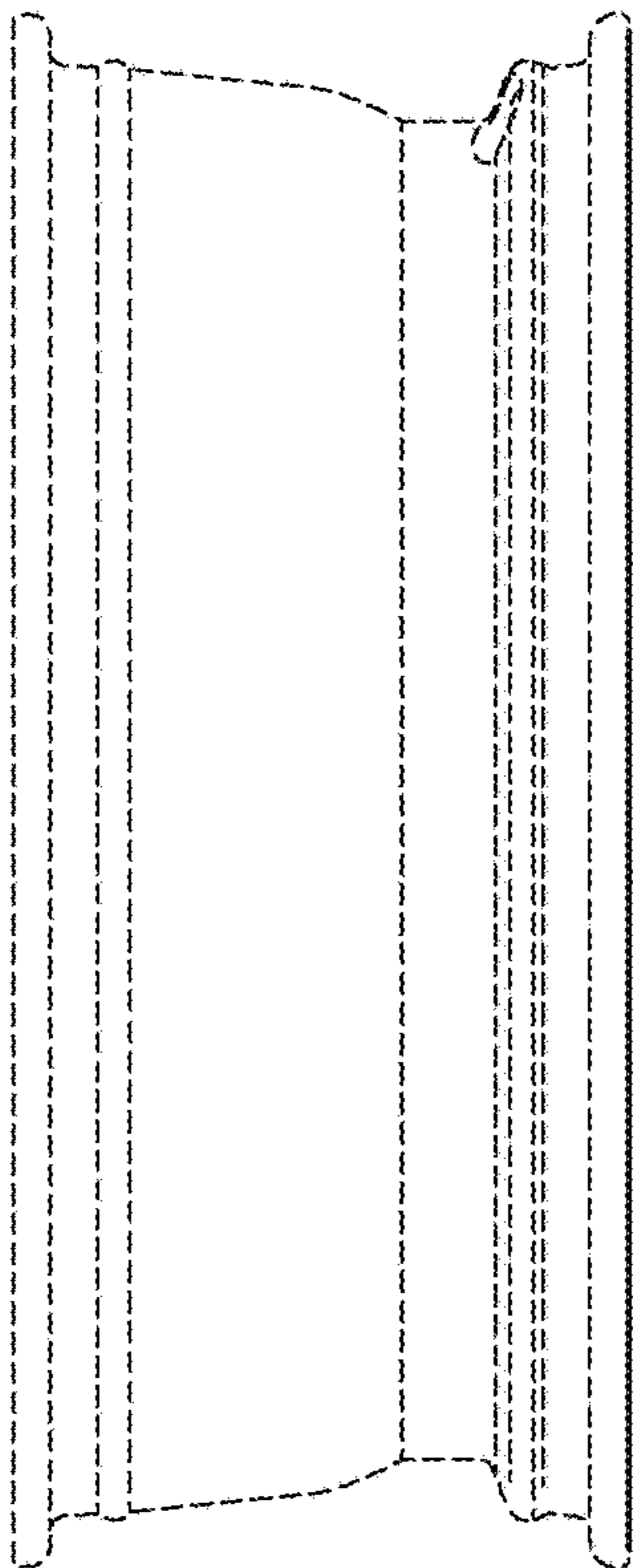


FIG. 9

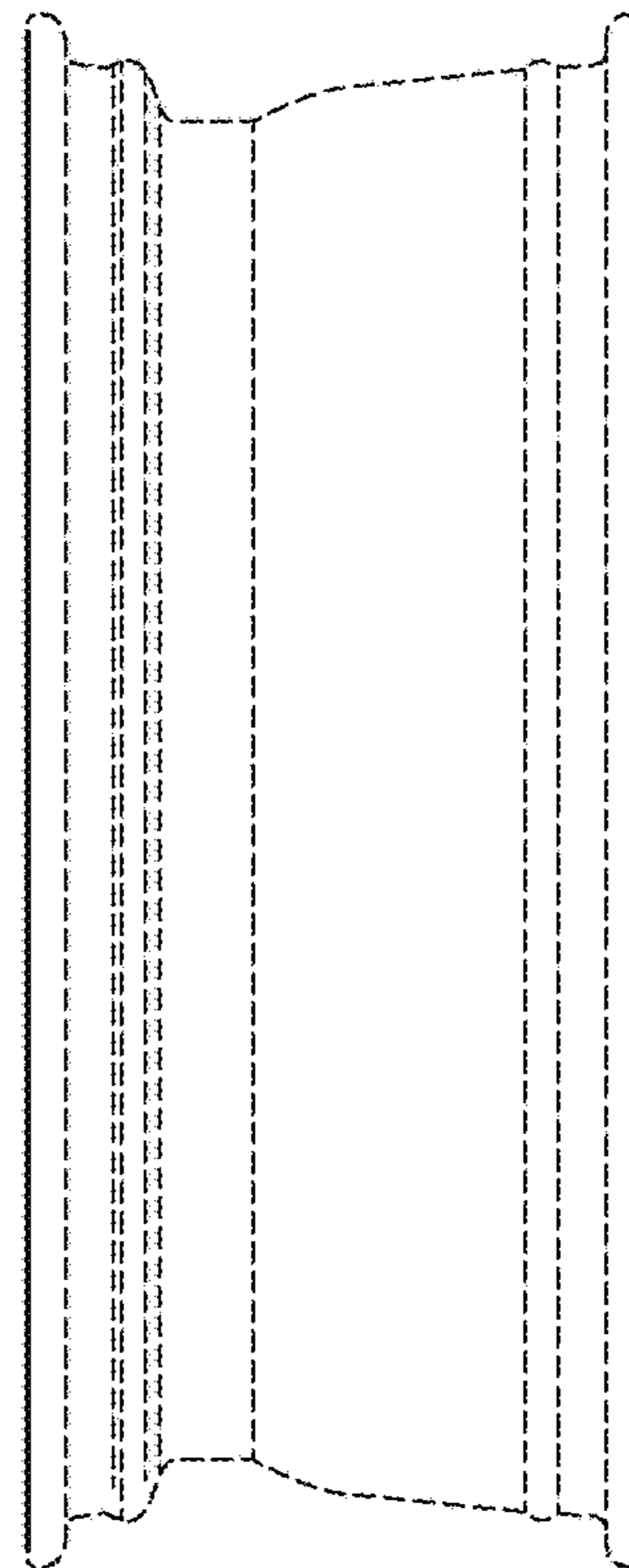


FIG. 10

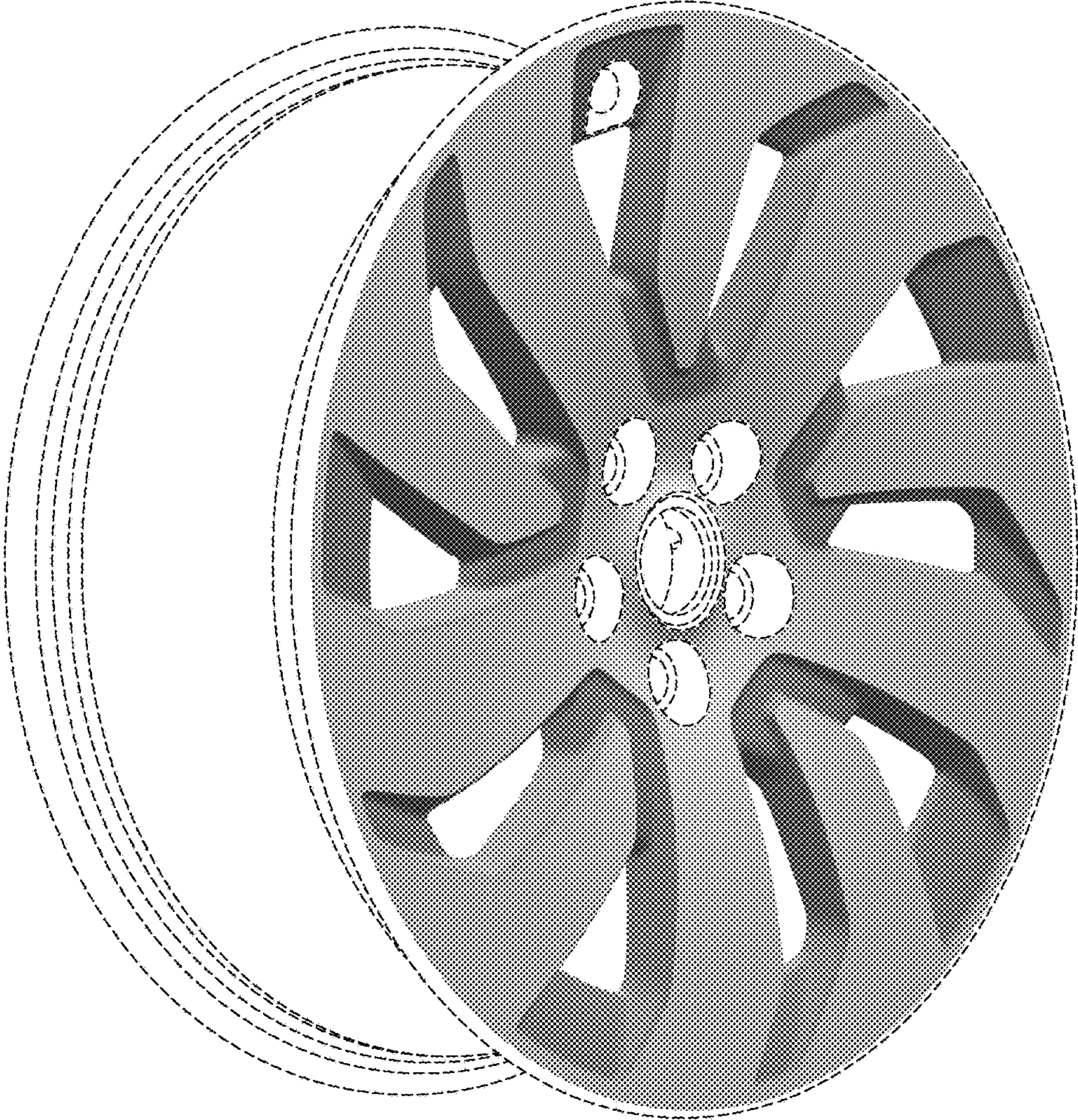


FIG. 11



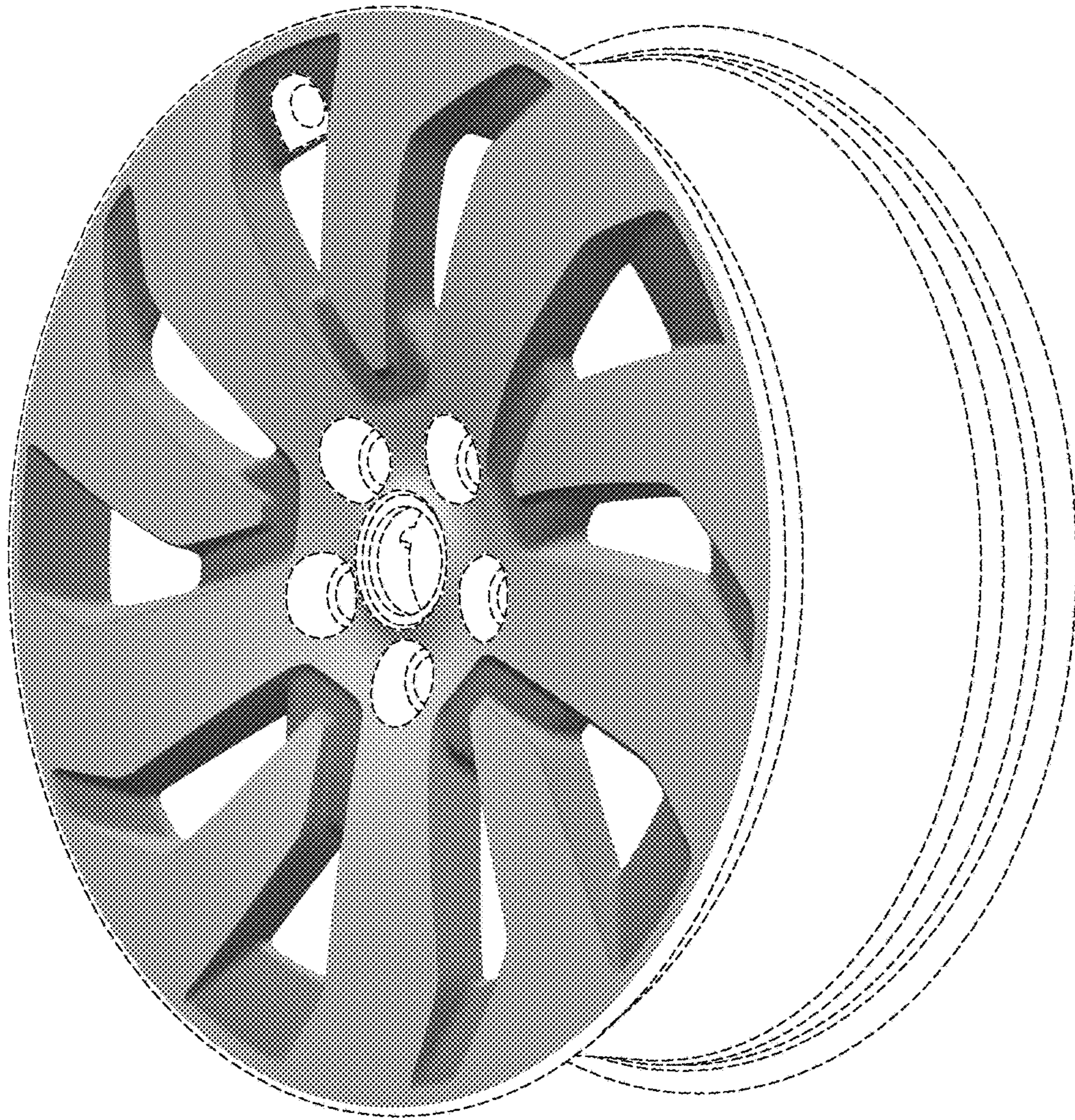


FIG. 12

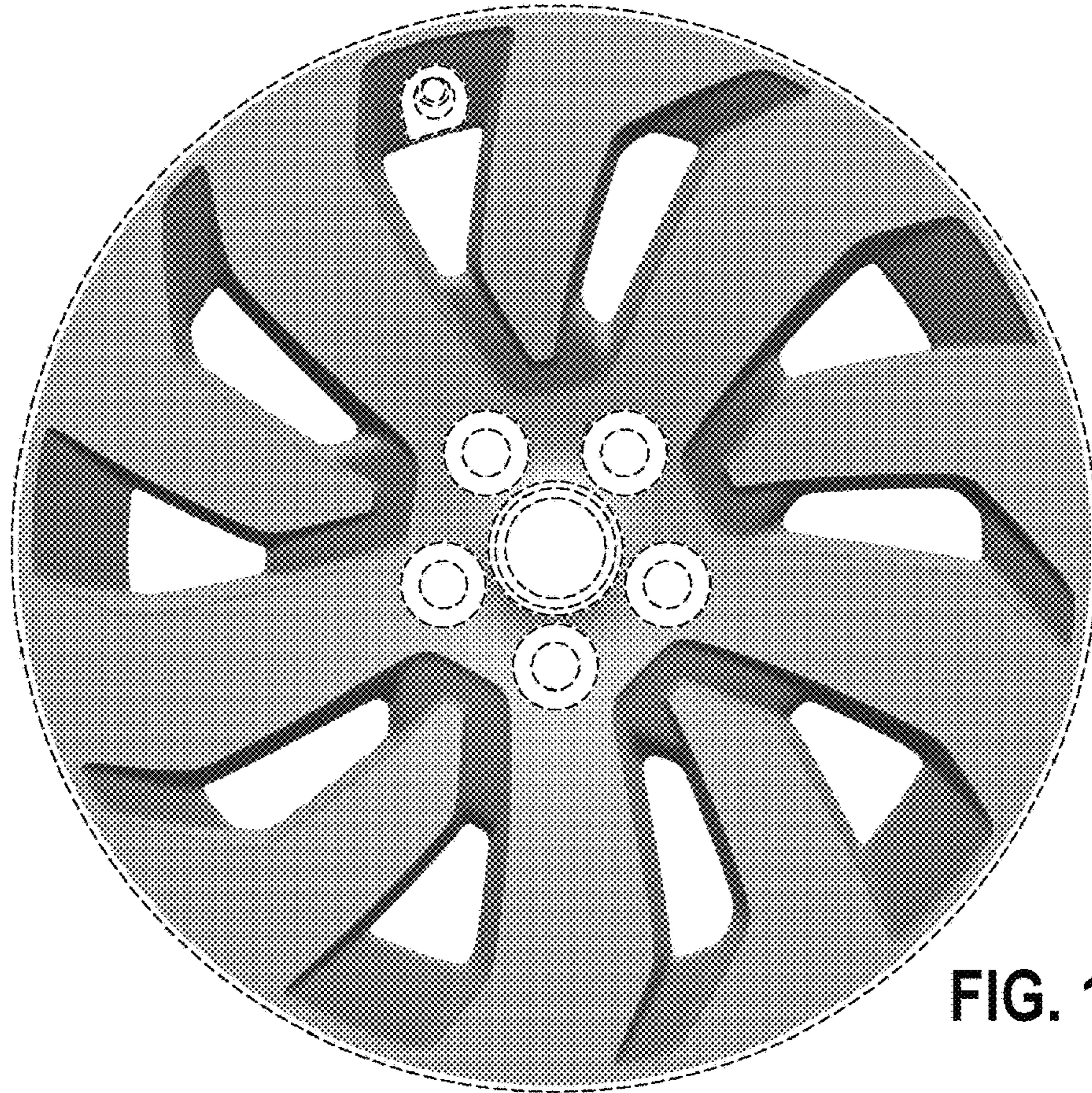


FIG. 13

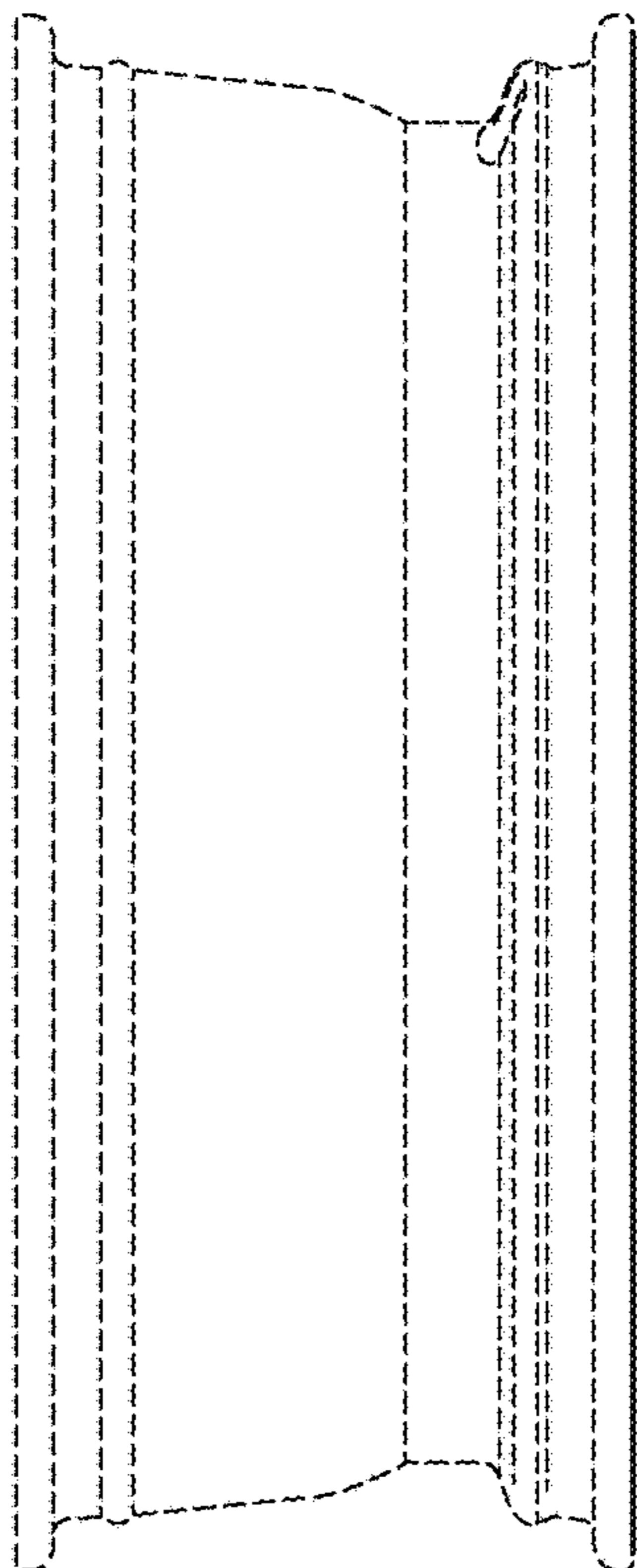


FIG. 14

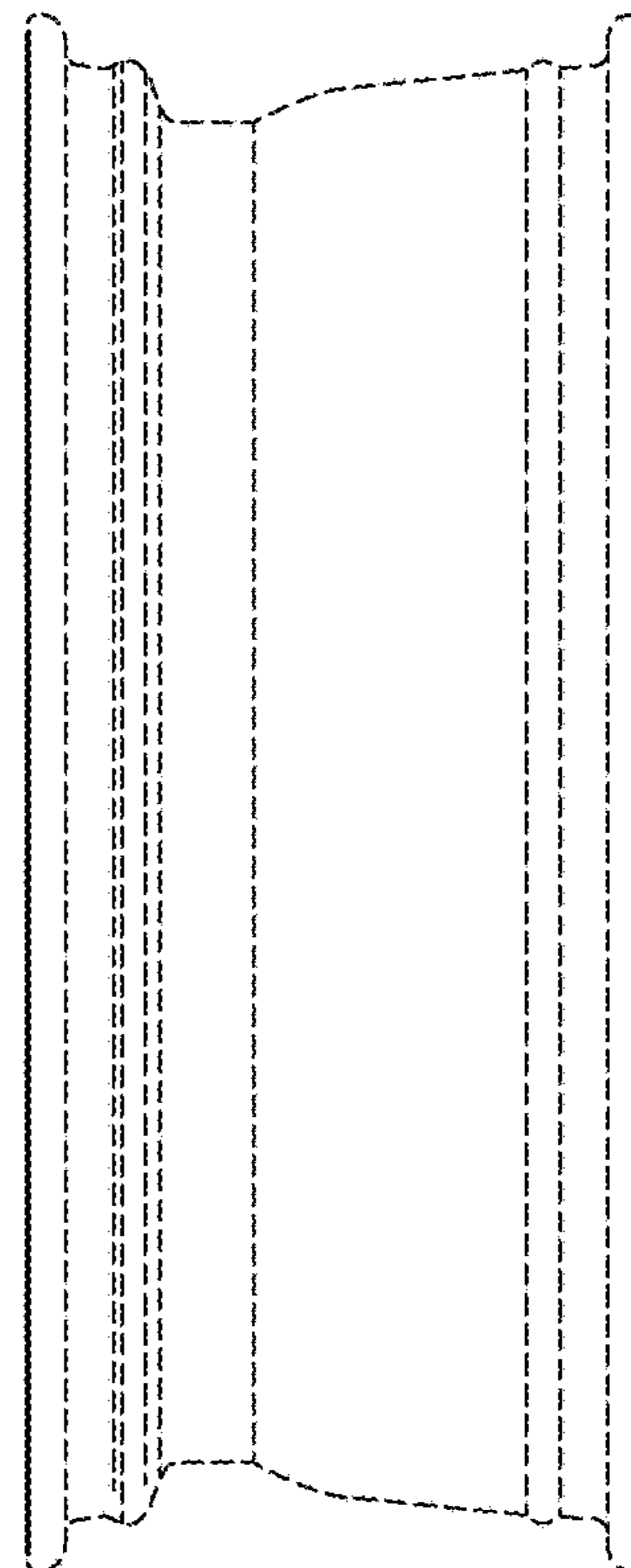


FIG. 15