



US00D820755S

(12) **United States Design Patent** (10) **Patent No.:** **US D820,755 S**  
**Luk** (45) **Date of Patent:** **\*\* Jun. 19, 2018**

(54) **REAR FENDER FOR A VEHICLE**  
(71) Applicant: **Bayerische Motoren Werke Aktiengesellschaft, Munich (DE)**  
(72) Inventor: **Calvin Luk, Munich (DE)**  
(73) Assignee: **Bayerische Motoren Werke Aktiengesellschaft, Munich (DE)**

D708,552 S \* 7/2014 De Bono ..... D12/91  
D724,493 S \* 3/2015 Kobayashi ..... D12/91  
D728,422 S \* 5/2015 Minami ..... D12/91  
D741,761 S \* 10/2015 Mueller-Stolz ..... D12/184  
D770,954 S \* 11/2016 Luk ..... D12/196  
D777,634 S \* 1/2017 Faghihzadeh ..... D12/196  
2017/0101133 A1\* 4/2017 Emura ..... B62D 25/04

(\*\*) Term: **15 Years**  
(21) Appl. No.: **29/605,292**  
(22) Filed: **May 25, 2017**

**FOREIGN PATENT DOCUMENTS**

WO WO DM/064270 10/2003  
WO WO DM/070931 3/2009  
WO WO DM/073061 8/2010  
WO WO DM/084222 2/2015

\* cited by examiner

*Primary Examiner* — Ian Simmons  
*Assistant Examiner* — Yolanda Robinson  
(74) *Attorney, Agent, or Firm* — Crowell & Moring LLP

(30) **Foreign Application Priority Data**

Nov. 30, 2016 (DE) ..... 40 2016 101 440

(51) **LOC (11) Cl.** ..... **12-16**  
(52) **U.S. Cl.**  
USPC ..... **D12/196**

(57) **CLAIM**

The ornamental design for a rear fender for a vehicle, as shown and described.

(58) **Field of Classification Search**  
USPC ..... D12/86, 88, 90, 91, 92, 184, 186, 190, D12/196; D21/424, 433, 434  
CPC ..... B62D 25/02; B62D 25/12; B62D 27/026; B62D 35/005; B60R 13/04; B60R 19/54; B60J 5/0412  
See application file for complete search history.

**DESCRIPTION**

This application contains subject matter related to the following co-pending U.S. design patent application:

Application Ser. No. 29/605,288, filed herewith and entitled "Vehicle, Toy, and/or Replicas Thereof".

FIG. 1 is a front view of a rear fender for a vehicle according to the design;

FIG. 2 is a left perspective view thereof;

FIG. 3 is a right perspective view thereof;

FIG. 4 is a left side view thereof;

FIG. 5 is a right side view thereof;

FIG. 6 is a top view thereof;

FIG. 7 is a bottom view thereof; and,

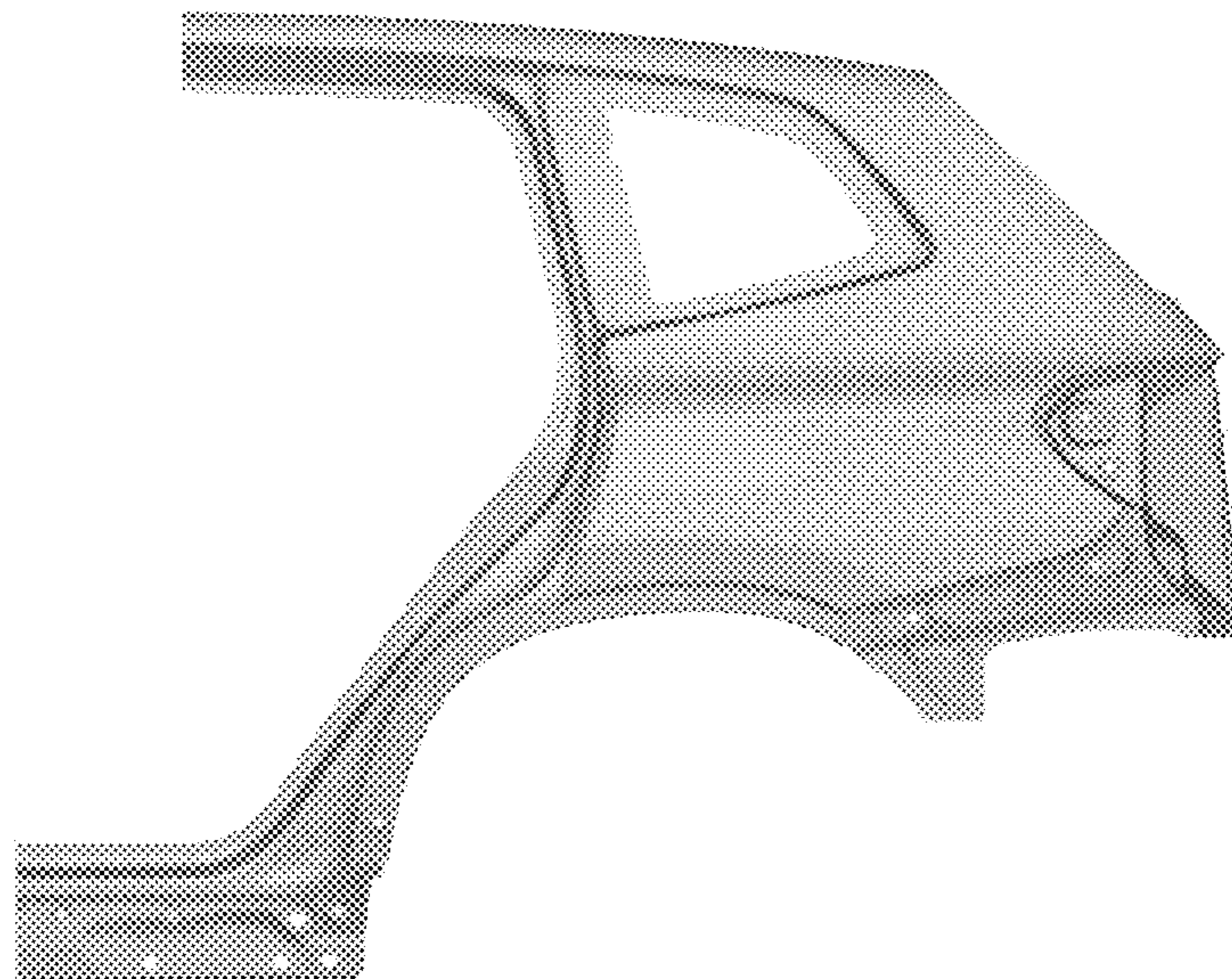
FIG. 8 is a rear view thereof.

(56) **References Cited**

**U.S. PATENT DOCUMENTS**

D491,857 S 6/2004 Velazco  
D620,413 S \* 7/2010 Huet ..... D12/184  
D658,557 S \* 5/2012 Hakamata ..... D12/196  
D673,078 S \* 12/2012 Ramaciotti ..... D12/91  
D695,662 S \* 12/2013 Suga ..... D12/196  
D699,170 S \* 2/2014 Okue ..... D12/184

**1 Claim, 8 Drawing Sheets**



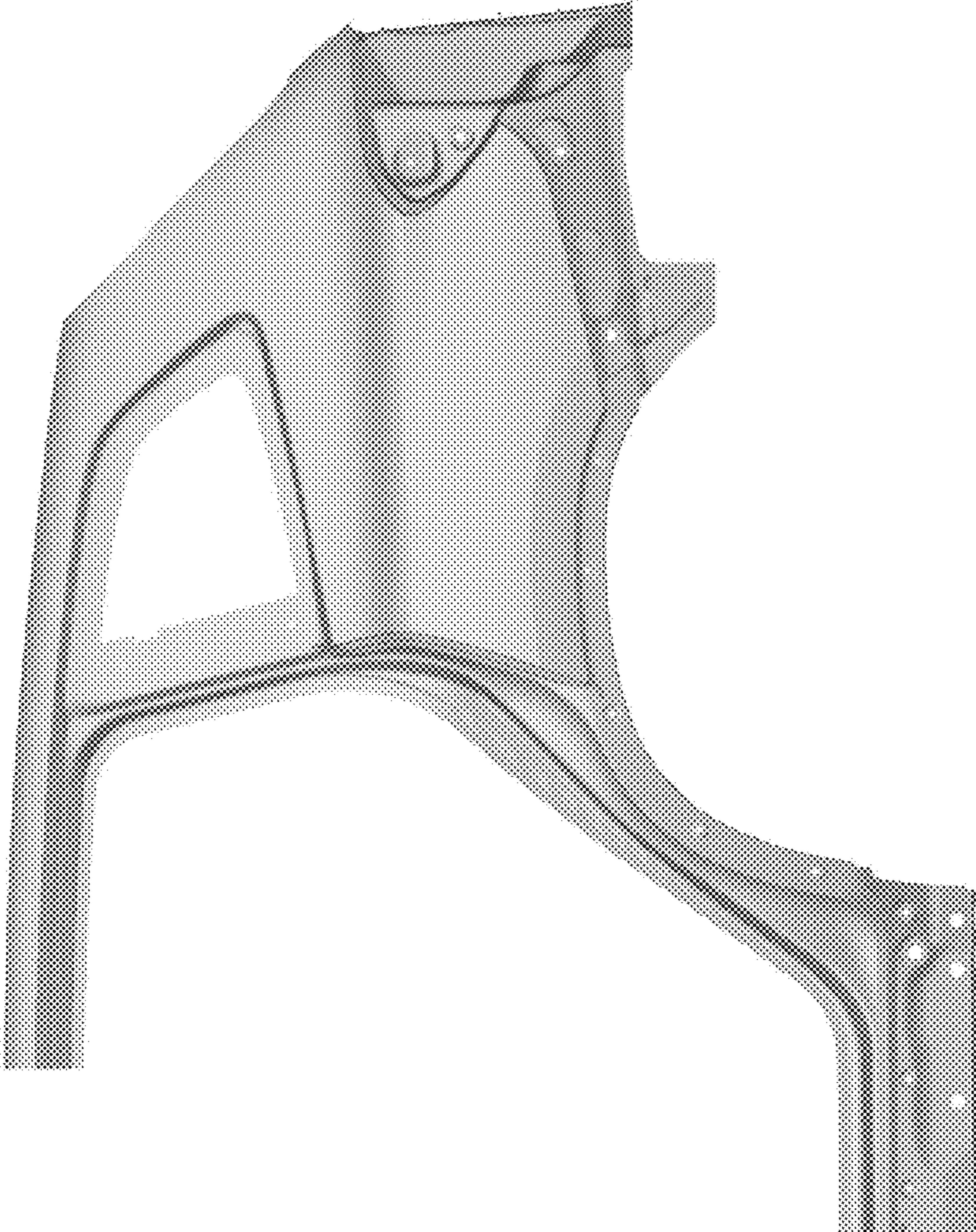


Fig. 1

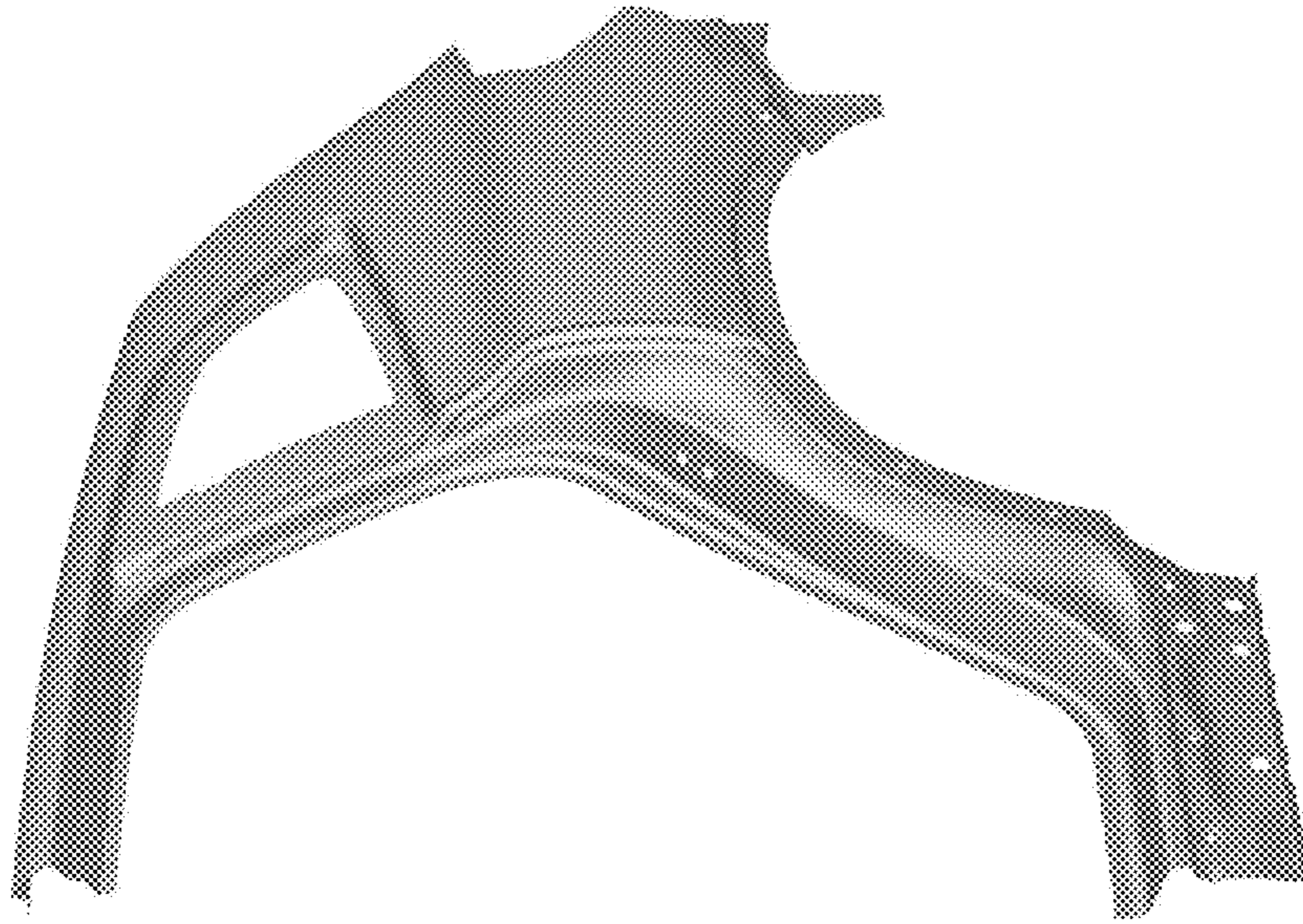


Fig. 2

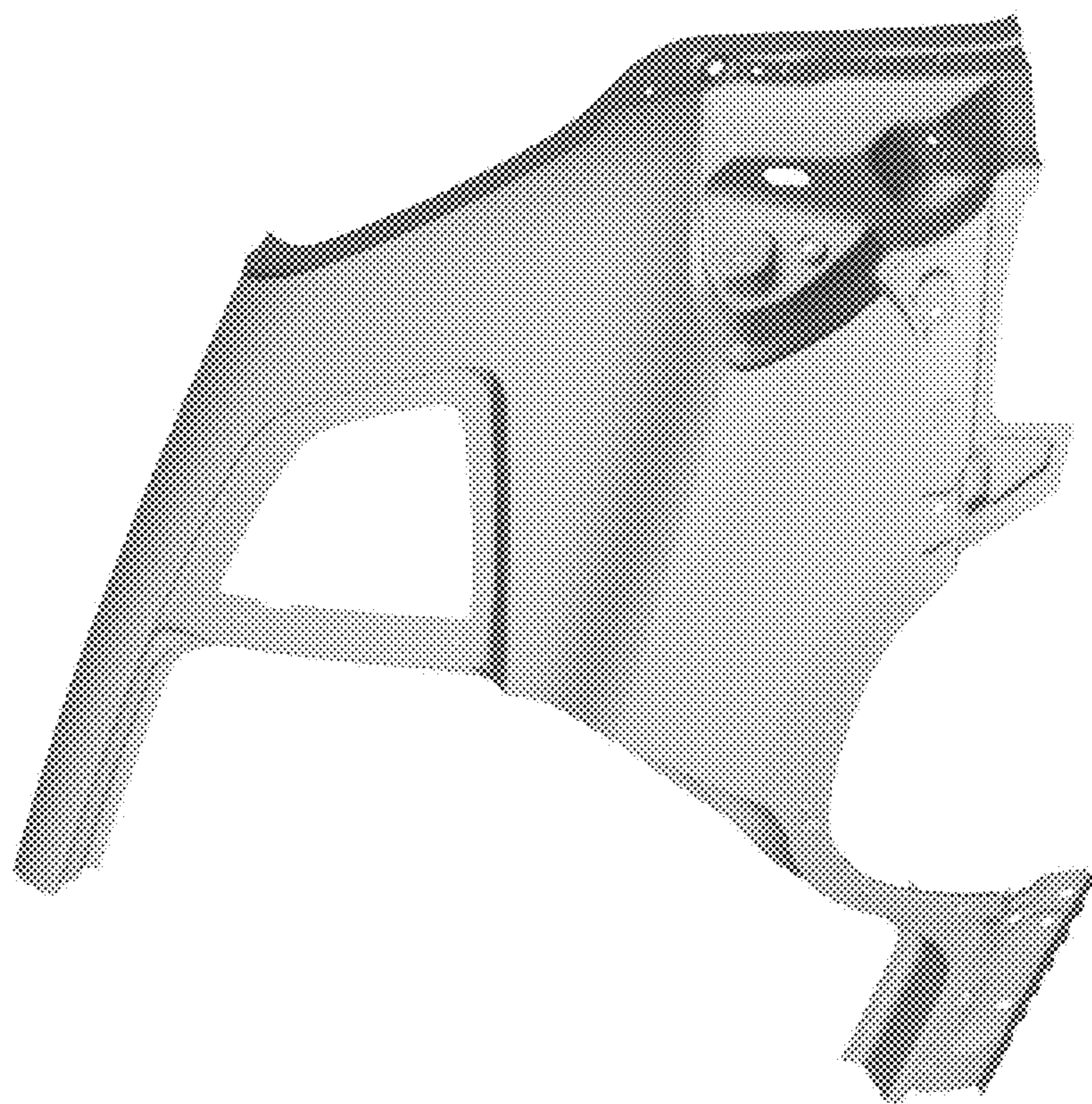


Fig. 3

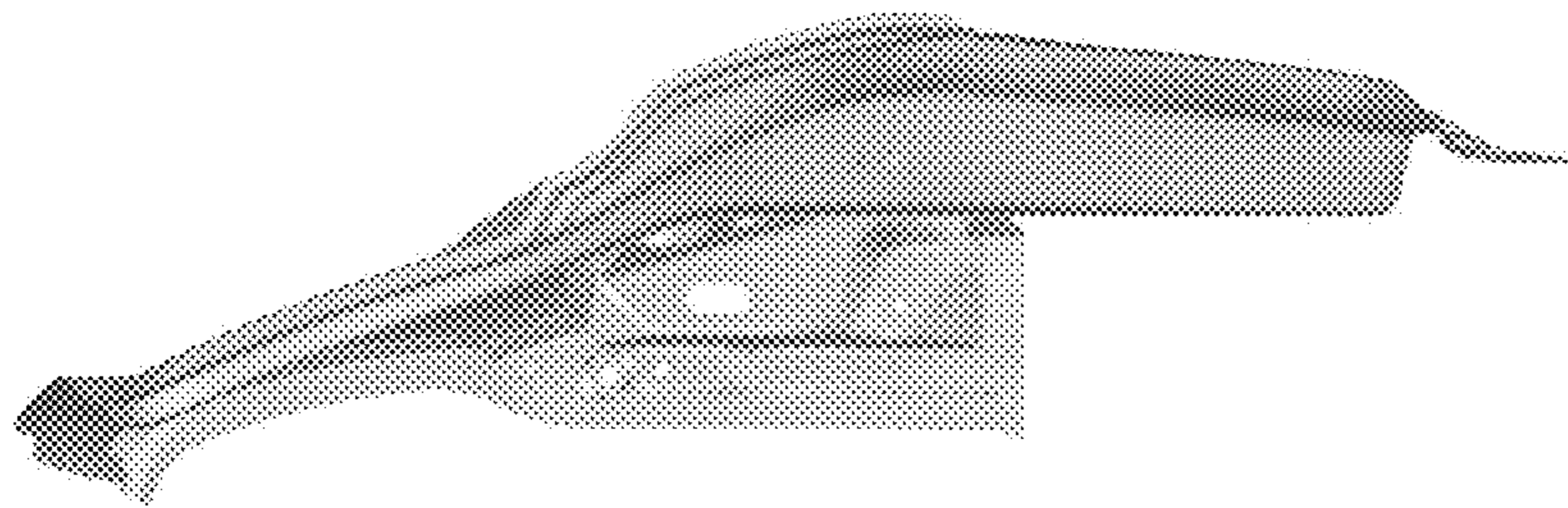


Fig. 4

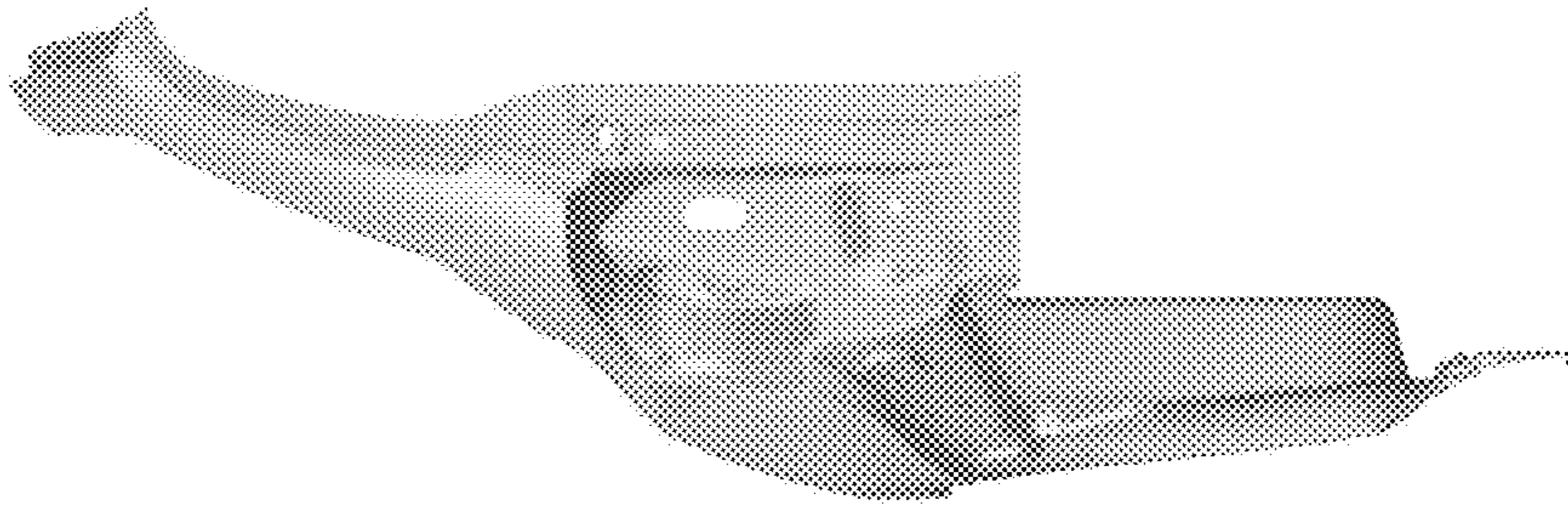


Fig. 5

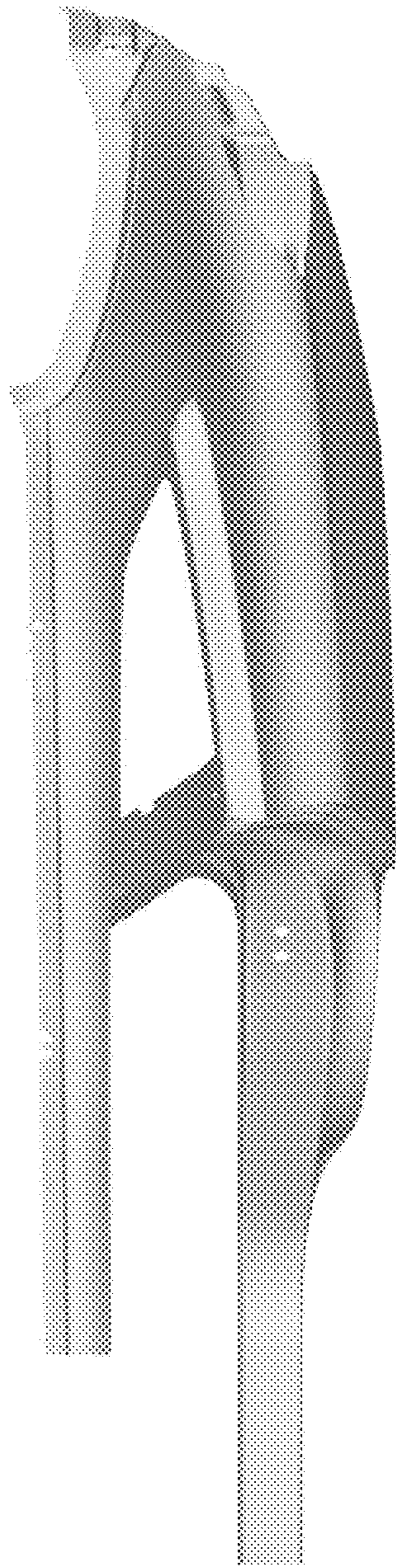


Fig. 6

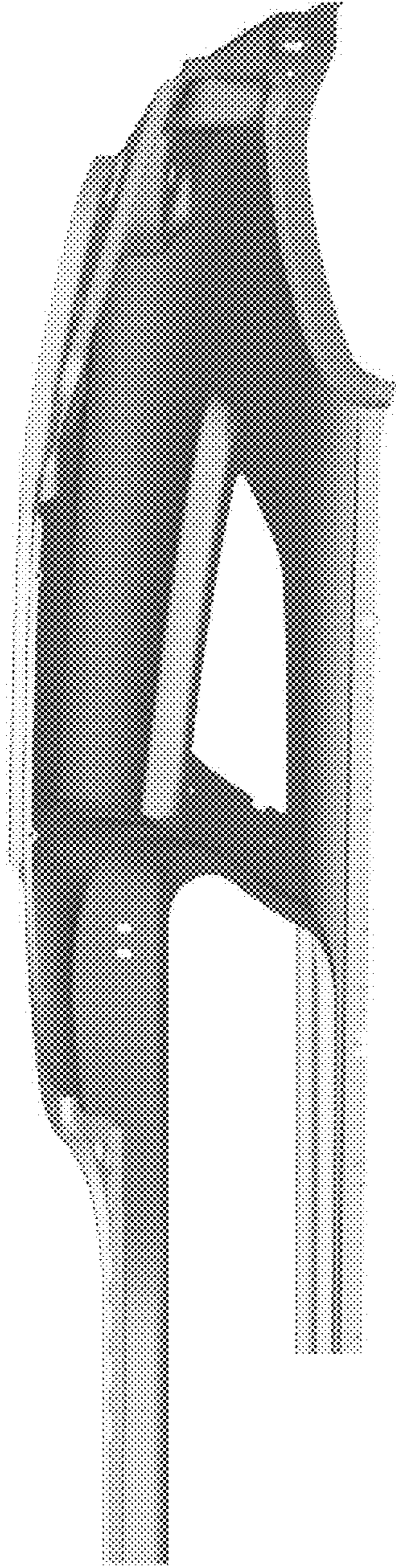


Fig. 7



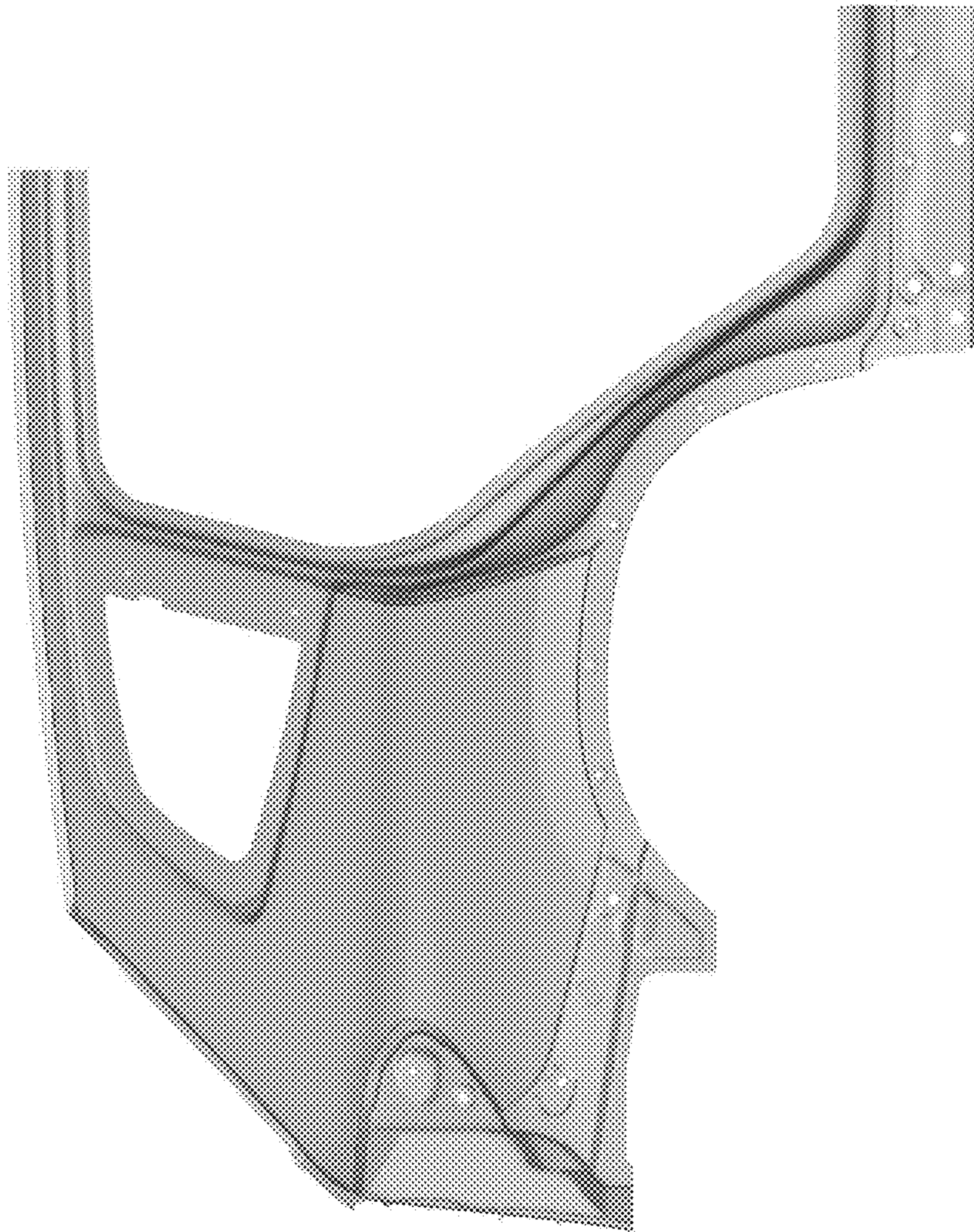


Fig. 8