



US00D820750S

(12) **United States Design Patent** (10) **Patent No.:** **US D820,750 S**
Hallgren (45) **Date of Patent:** **** Jun. 19, 2018**

(54) **FENDER COMPONENT FOR VEHICLE**

(71) Applicant: **Volvo Construction Equipment AB**,
Eskilstuna (SE)

(72) Inventor: **Michael Hallgren**, Pixbo (SE)

(73) Assignee: **VOLVO CONSTRUCTION
EQUIPMENT AB**, Eskilstuna (SE)

(**) Term: **15 Years**

(21) Appl. No.: **29/599,753**

(22) Filed: **Apr. 6, 2017**

(30) **Foreign Application Priority Data**

Apr. 6, 2017 (EM) 003844380
 Apr. 6, 2017 (EM) 003844406
 Apr. 6, 2017 (EM) 003844638

(51) **LOC (11) Cl.** **12-16**

(52) **U.S. Cl.**
USPC **D12/184**

(58) **Field of Classification Search**
USPC D12/181, 90, 86, 82, 221, 196, 190, 184,
D12/177, 175, 99, 97, 96, 93, 95, 91, 12
CPC B62D 25/02; B62D 25/10; B62D 25/16;
B62D 25/18; B62D 25/105
See application file for complete search history.

(56) **References Cited**

U.S. PATENT DOCUMENTS

2,868,310 A * 1/1959 Lee B62D 25/10
180/69.2
D382,844 S * 8/1997 Norwood D12/184
D566,639 S * 4/2008 Elliott D12/196
D592,546 S * 5/2009 Hammick D12/12
D615,472 S * 5/2010 Maher D12/196
D621,756 S * 8/2010 Angelo D12/184
D641,298 S * 7/2011 Beigel D12/181

D643,352 S * 8/2011 Hjorten D12/181
 D646,613 S * 10/2011 Medina D12/196
 D697,844 S * 1/2014 Conway D12/184
 D786,753 S * 5/2017 Conway D12/184
 D786,754 S * 5/2017 Conway D12/184
 D791,657 S * 7/2017 Ito D12/184

OTHER PUBLICATIONS

Images of Volvo Construction Equipment Hauler Model A45G, disclosed at Bauma Trade Fair, Munich, Germany, Apr. 11-17, 2016. Product Brochure for Volvo Construction Equipment Hauler Model A45G, dated Oct. 2016.
 Images of Volvo Construction Equipment Excavator Model EC950E, disclosed at Bauma Trade Fair, Munich, Germany, Apr. 11-17, 2016.
 Images of Volvo Construction Equipment Excavator Model EC750E, disclosed to public May 2016.

* cited by examiner

Primary Examiner — Karen S Acker
Assistant Examiner — Jerry Shiuan-Hua Hsu
 (74) *Attorney, Agent, or Firm* — Tucker Ellis LLP

(57) **CLAIM**

The ornamental design for a fender component for vehicle, as shown and described.

DESCRIPTION

FIG. 1 is a perspective view of a fender component for vehicle showing my new design.
 FIG. 2 is another perspective view thereof.
 FIG. 3 is a front view thereof.
 FIG. 4 is a rear view thereof.
 FIG. 5 is a right side view thereof.
 FIG. 6 is a left side view thereof.
 FIG. 7 is a top view thereof; and,
 FIG. 8 is a bottom view thereof.

1 Claim, 5 Drawing Sheets

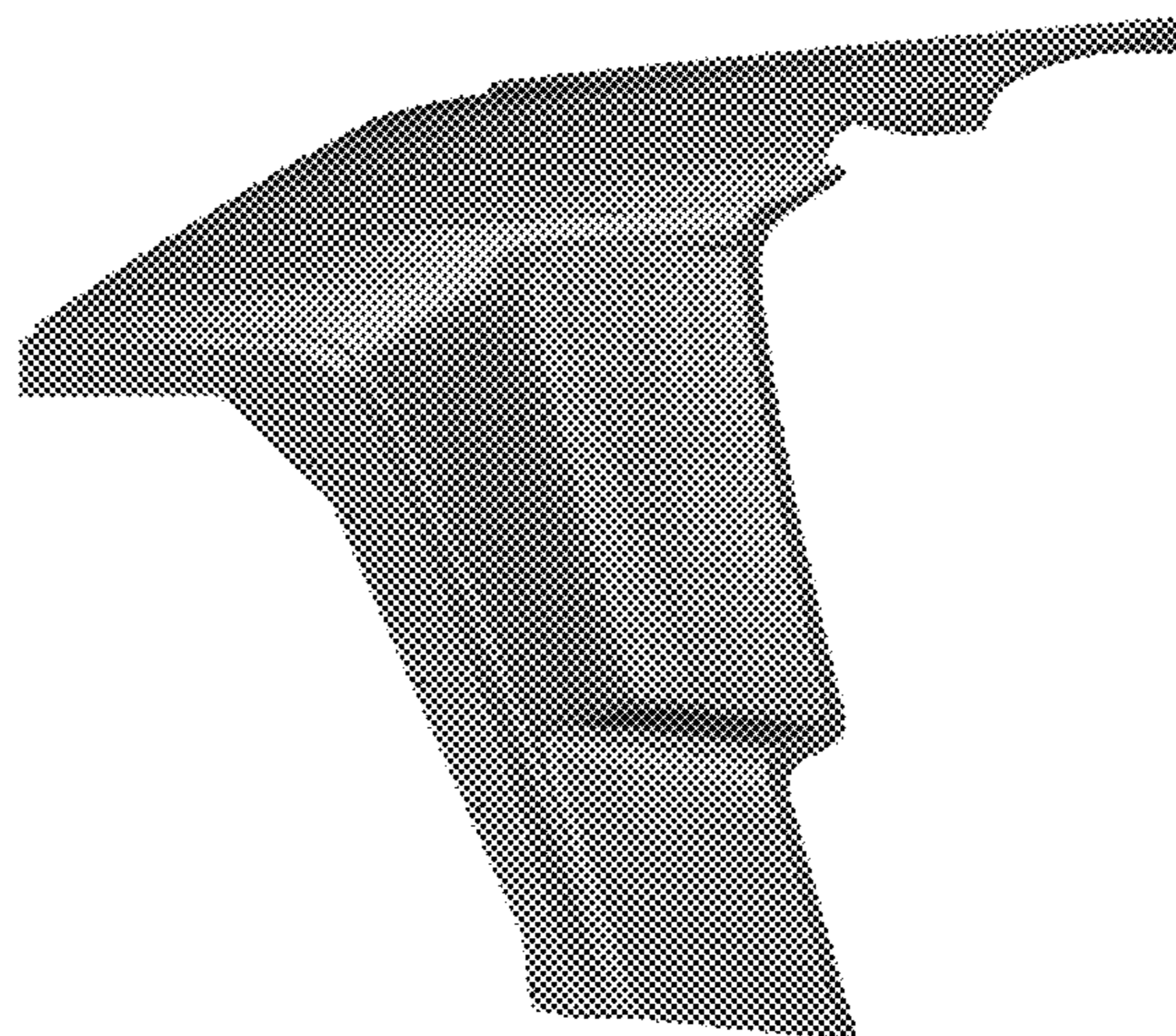




FIG. 1

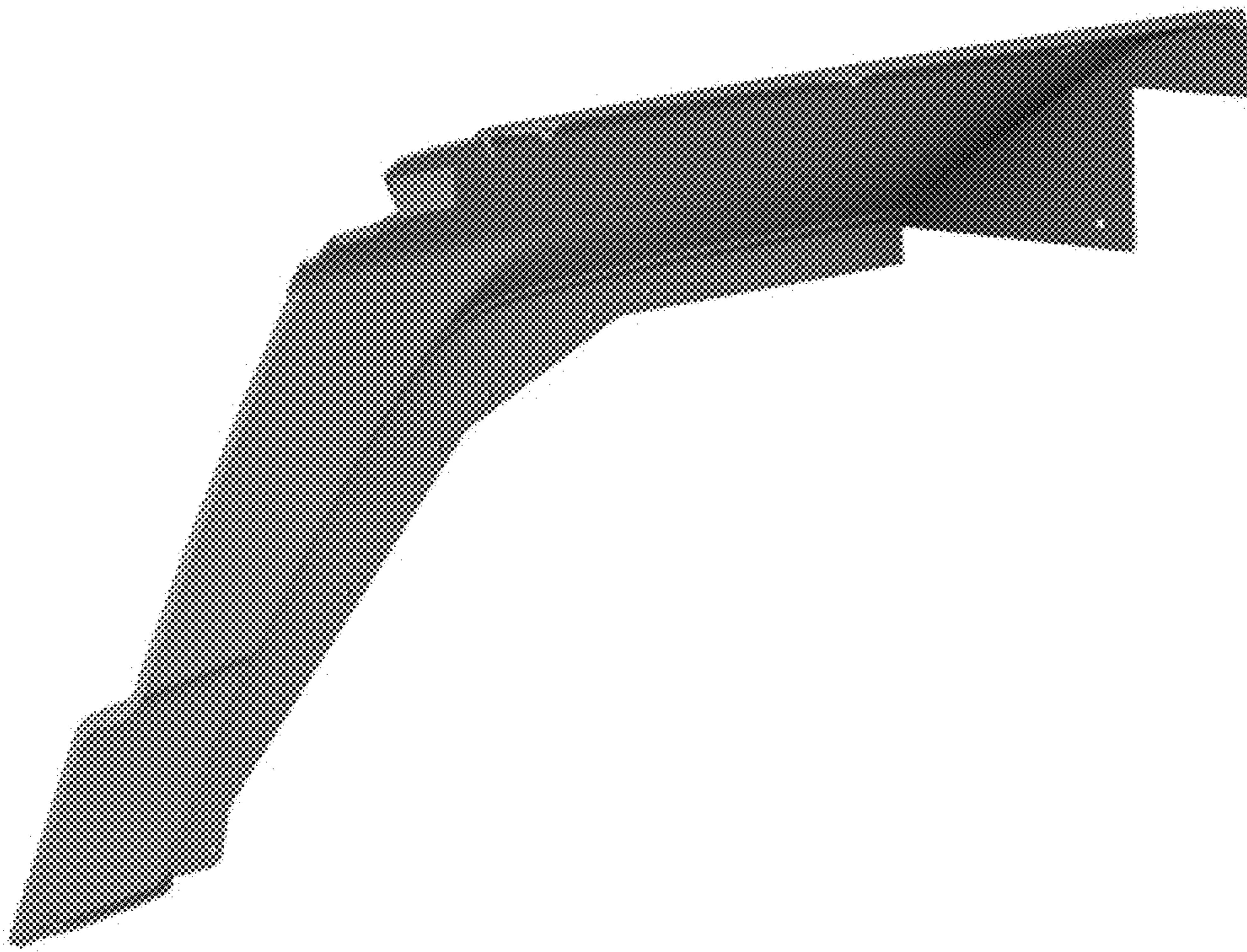


FIG. 2

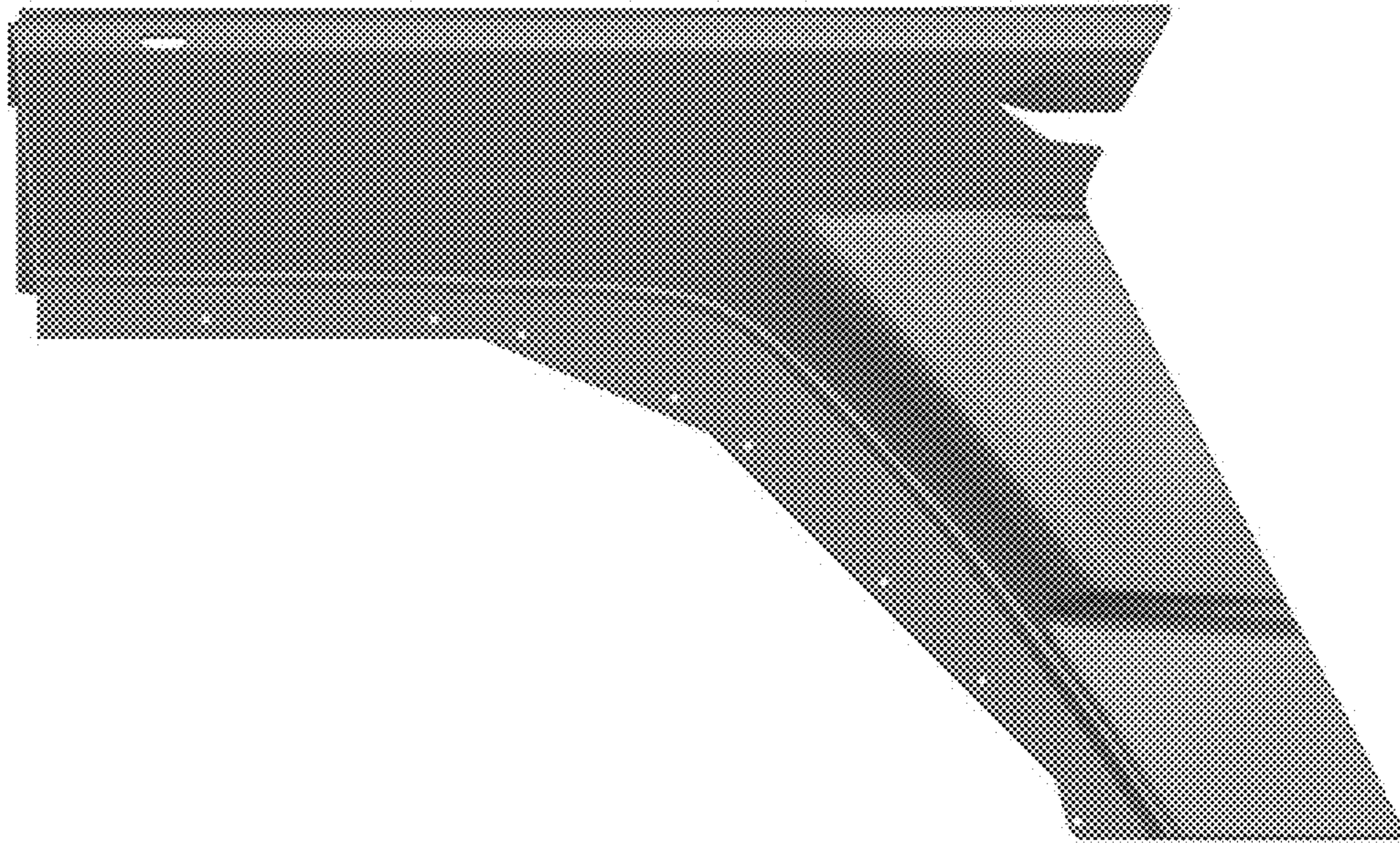


FIG. 3

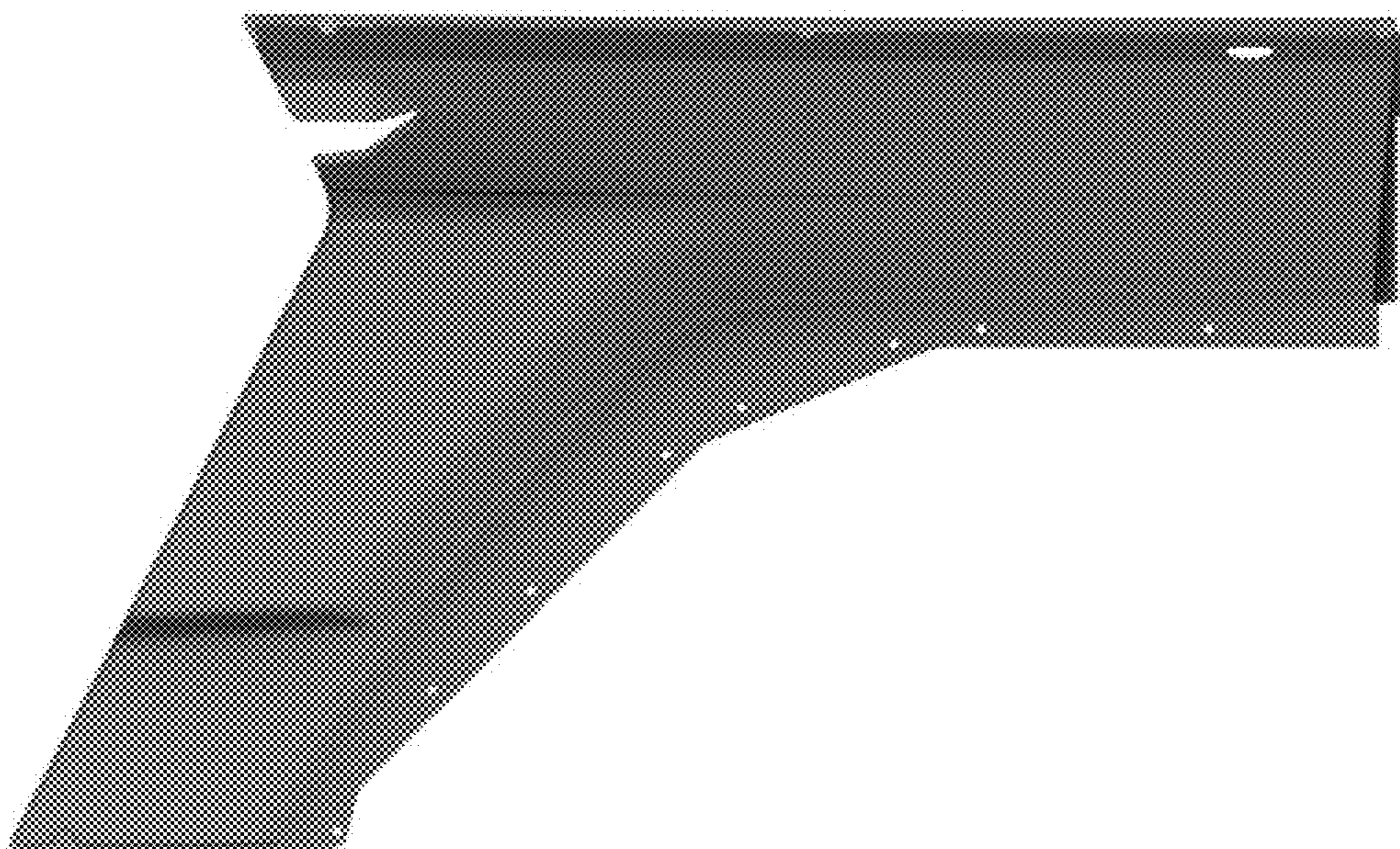


FIG. 4

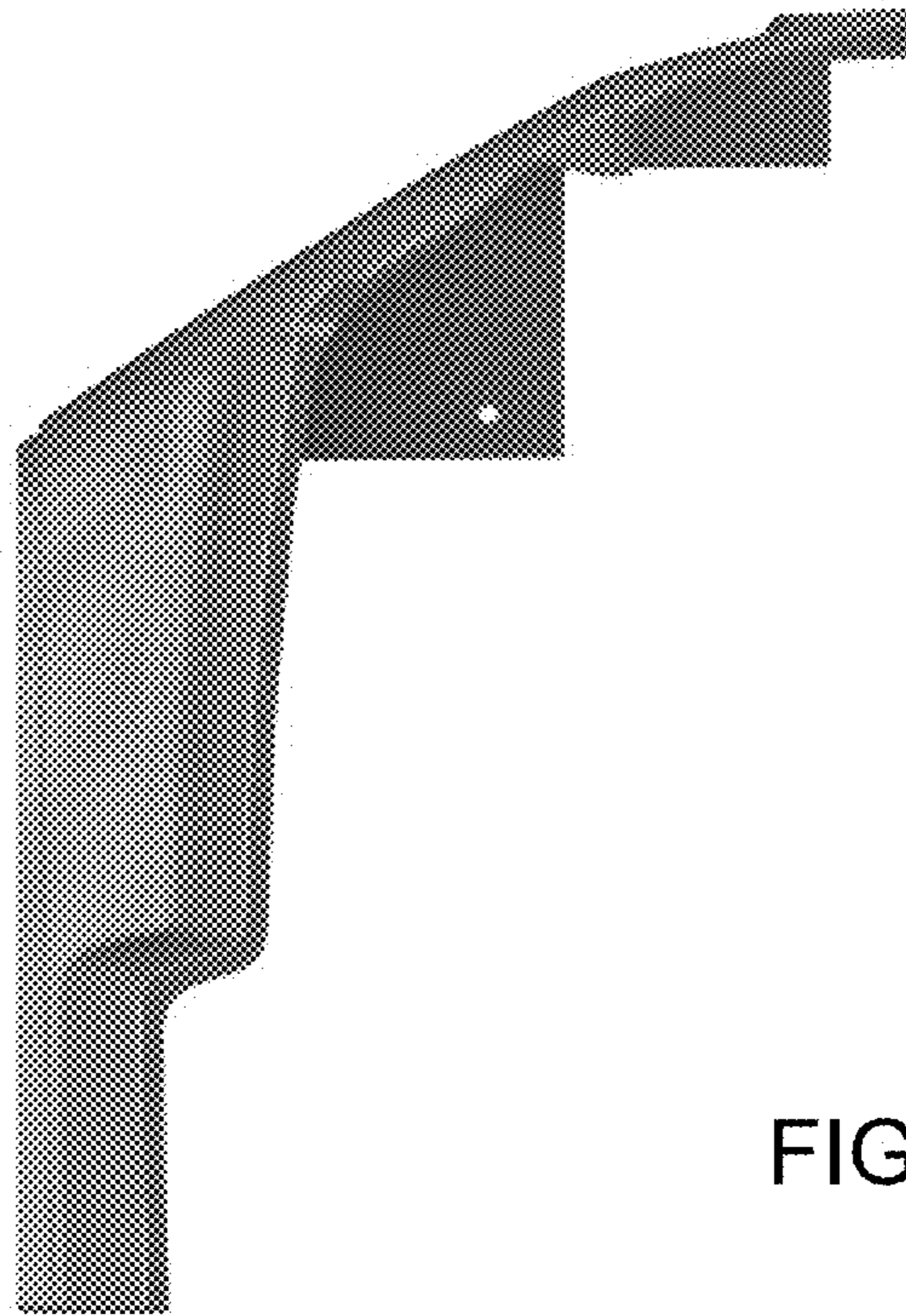


FIG. 5

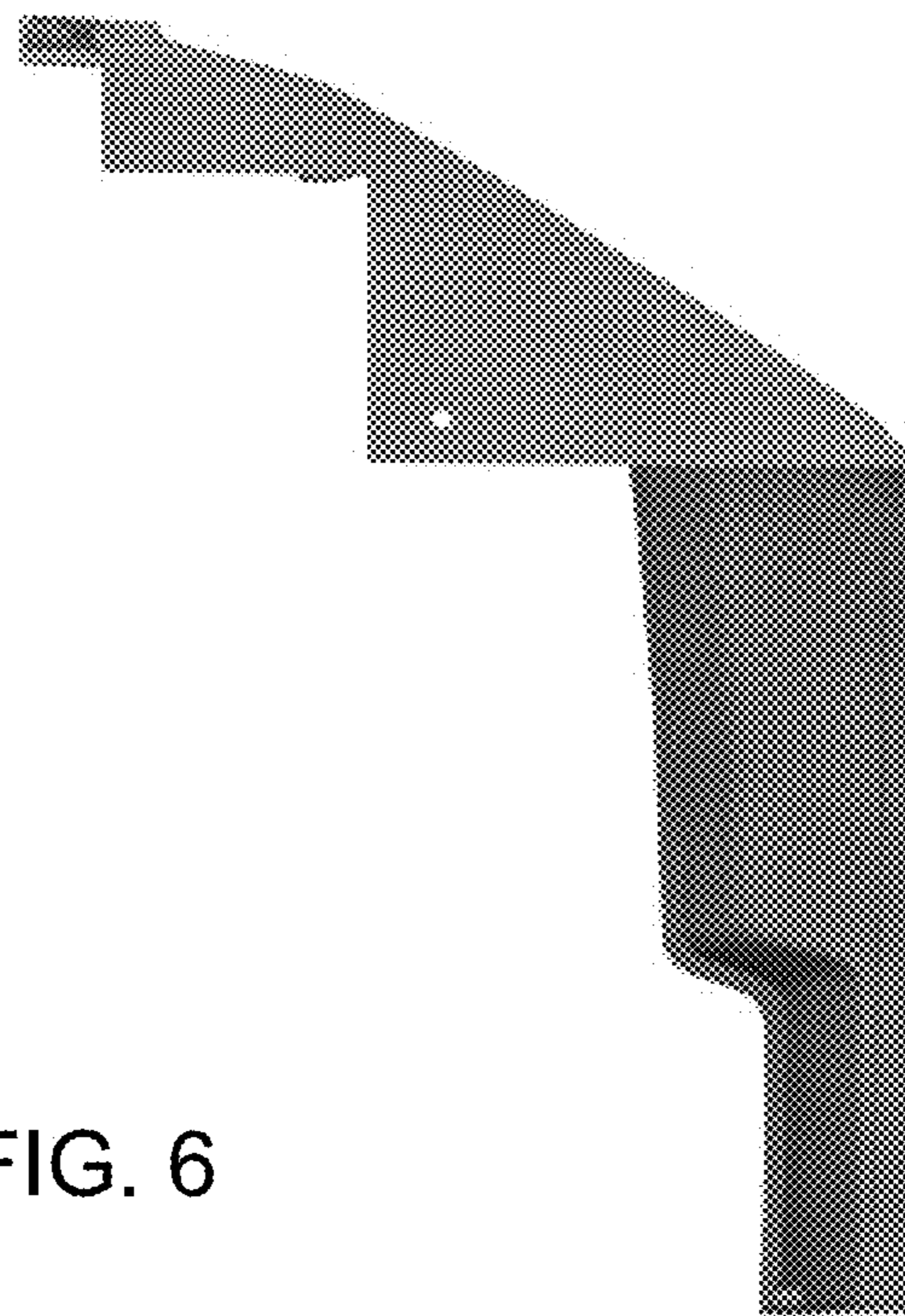


FIG. 6

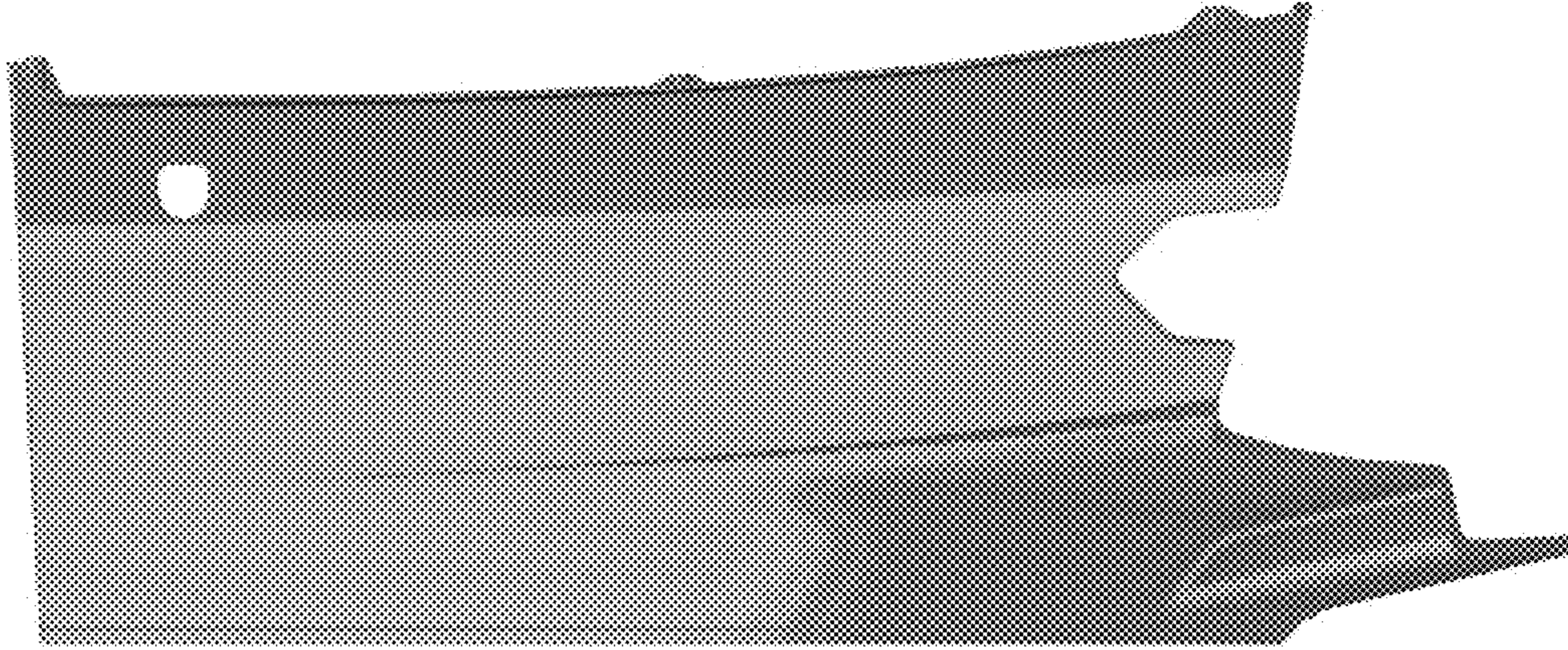


FIG. 7

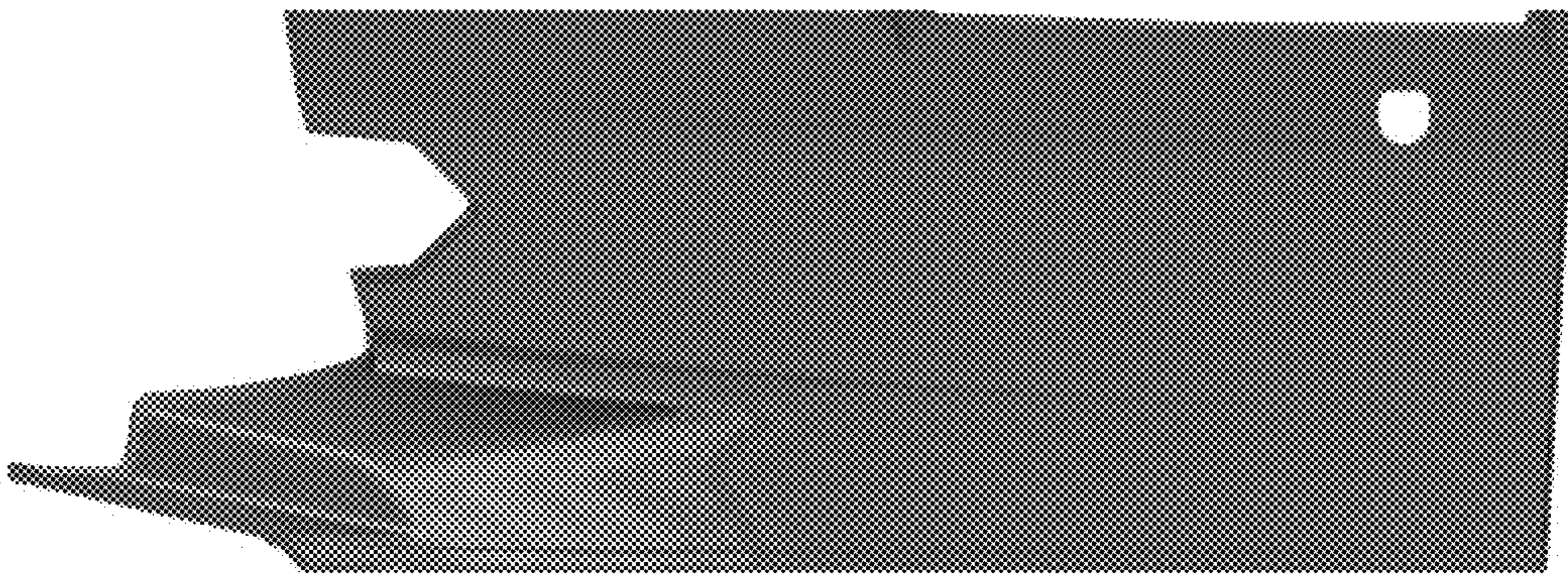


FIG. 8