



US00D820746S

(12) **United States Design Patent**
Hallgren

(10) **Patent No.:** **US D820,746 S**
(45) **Date of Patent:** **** Jun. 19, 2018**

- (54) **HOOD FOR VEHICLE**
- (71) Applicant: **Volvo Construction Equipment AB**,
Eskilstuna (SE)
- (72) Inventor: **Michael Hallgren**, Pixbo (SE)
- (73) Assignee: **VOLVO CONSTRUCTION**
EQUIPMENT AB, Eskilstuna (SE)
- (**) Term: **15 Years**
- (21) Appl. No.: **29/599,756**
- (22) Filed: **Apr. 6, 2017**
- (30) **Foreign Application Priority Data**
 - Apr. 6, 2017 (EM) 003844380
 - Apr. 6, 2017 (EM) 003844406
 - Apr. 6, 2017 (EM) 003844638
- (51) **LOC (11) Cl.** **12-08**
- (52) **U.S. Cl.**
USPC **D12/173**
- (58) **Field of Classification Search**
USPC D12/86, 91, 93, 163, 164, 166, 167, 169,
D12/171, 172, 173, 190, 216
CPC B62D 25/08; B62B 9/16; B60K 11/08;
B60R 19/52
See application file for complete search history.

D683,675 S *	6/2013	Munson	D12/173
D686,121 S *	7/2013	McCabe	D12/173
D718,683 S *	12/2014	Thole	D12/173
D775,021 S *	12/2016	Harriton	D12/173
D778,217 S *	2/2017	Ito	D12/173
D784,219 S *	4/2017	Jung	D12/173
D787,993 S *	5/2017	McCabe	D12/173
D797,603 S *	9/2017	Noone	D12/91
D804,372 S *	12/2017	Kozub	D12/173
D813,757 S *	3/2018	Kozub	D12/173
D813,758 S *	3/2018	Gonzales	D12/173
D815,574 S *	4/2018	Mainville	D12/173
2011/0120791 A1 *	5/2011	Greenwood	B60K 11/04 180/68.1

- (56) **References Cited**
 - U.S. PATENT DOCUMENTS**
 - D627,686 S * 11/2010 Thompson D12/91
 - D646,203 S * 10/2011 Thompson D12/91
 - D646,607 S * 10/2011 Verhee D12/169
 - D649,908 S * 12/2011 Mullen D12/86
 - D649,909 S * 12/2011 Mullen D12/86
 - D661,231 S * 6/2012 Galante D12/163

OTHER PUBLICATIONS

Images of Volvo Construction Equipment Hauler Model A45G, disclosed at Bauma Trade Fair, Munich, Germany, Apr. 11-17, 2016.
(Continued)

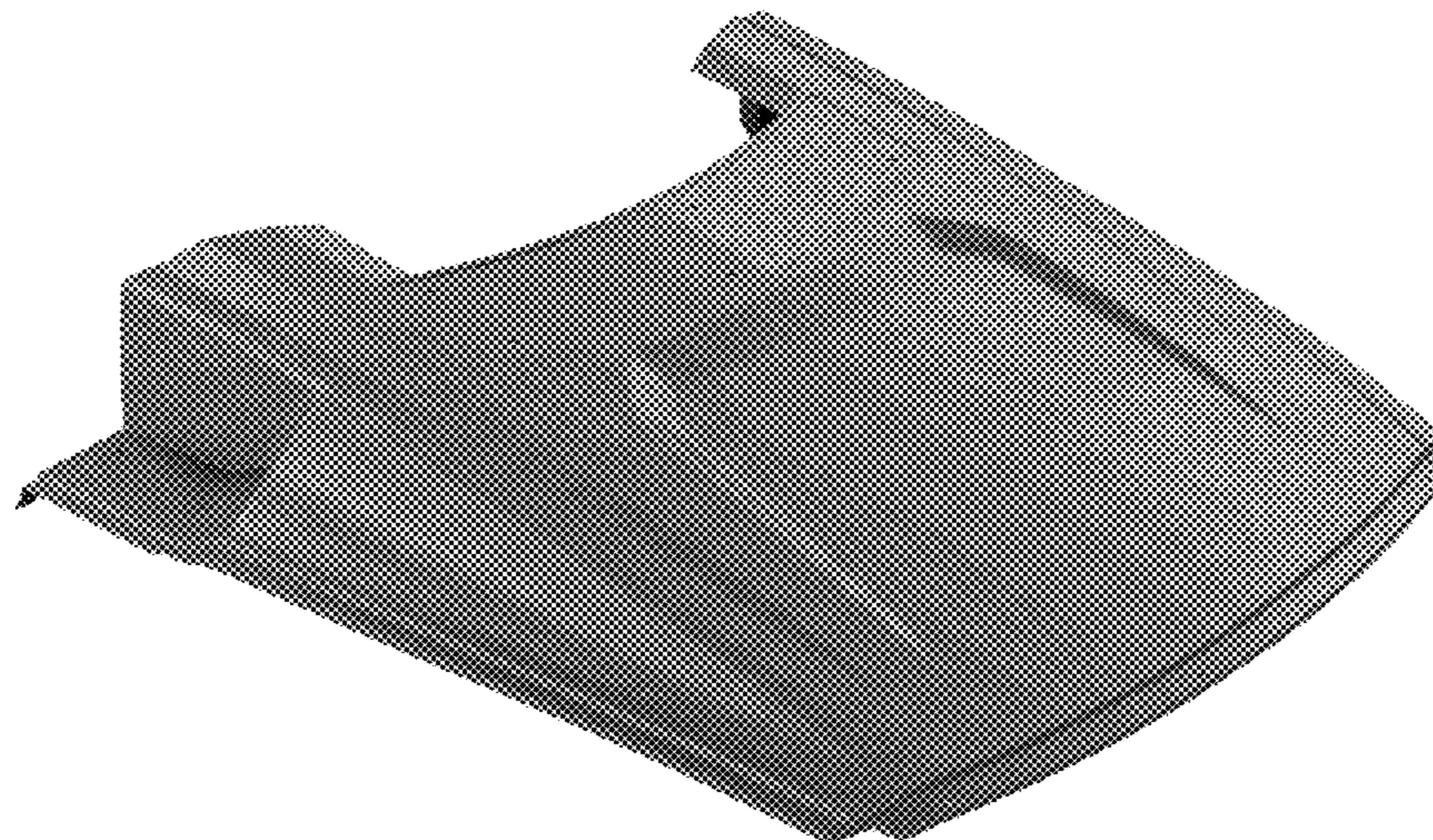
Primary Examiner — Marianne N Pandozzi
Assistant Examiner — Suzanne E Tisdell
(74) *Attorney, Agent, or Firm* — Tucker Ellis LLP

(57) **CLAIM**
The ornamental design for a hood for vehicle, as shown and described.

DESCRIPTION

FIG. 1 is a perspective view of a hood for vehicle showing my new design.
FIG. 2 is another perspective view thereof.
FIG. 3 is a front view thereof.
FIG. 4 is a rear view thereof.
FIG. 5 is a right side view thereof.
FIG. 6 is a left side view thereof.
FIG. 7 is a top view thereof; and,
FIG. 8 is a bottom view thereof.

1 Claim, 6 Drawing Sheets



(56)

References Cited

OTHER PUBLICATIONS

Product Brochure for Volvo Construction Equipment Hauler Model A45G, dated Oct. 2016.

Images of Volvo Construction Equipment Excavator Model EC950E, disclosed at Bauma Trade Fair, Munich, Germany, Apr. 11-17, 2016.

Images of Volvo Construction Equipment Excavator Model EC750E, disclosed to public May 2016.

* cited by examiner

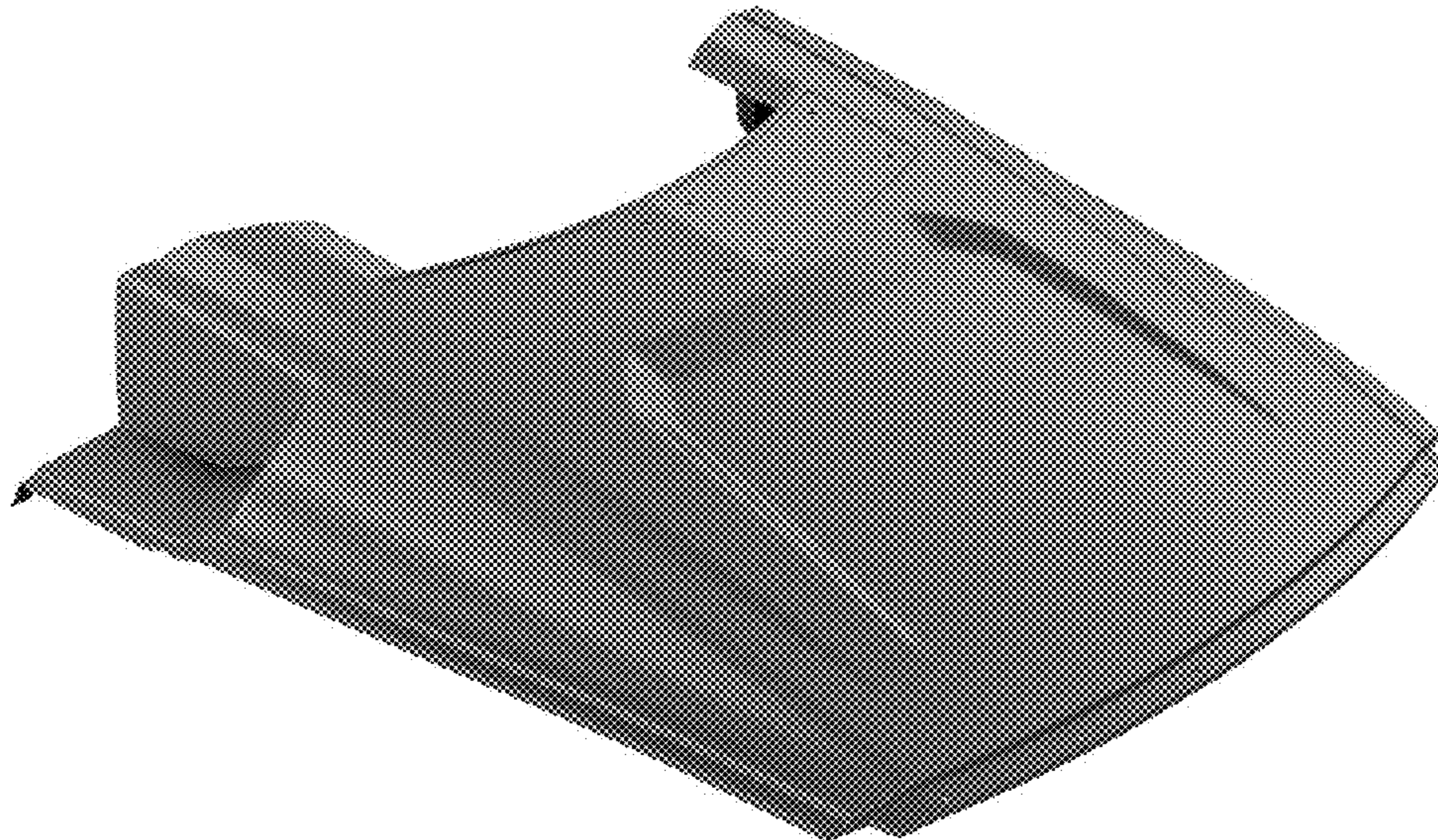


FIG. 1

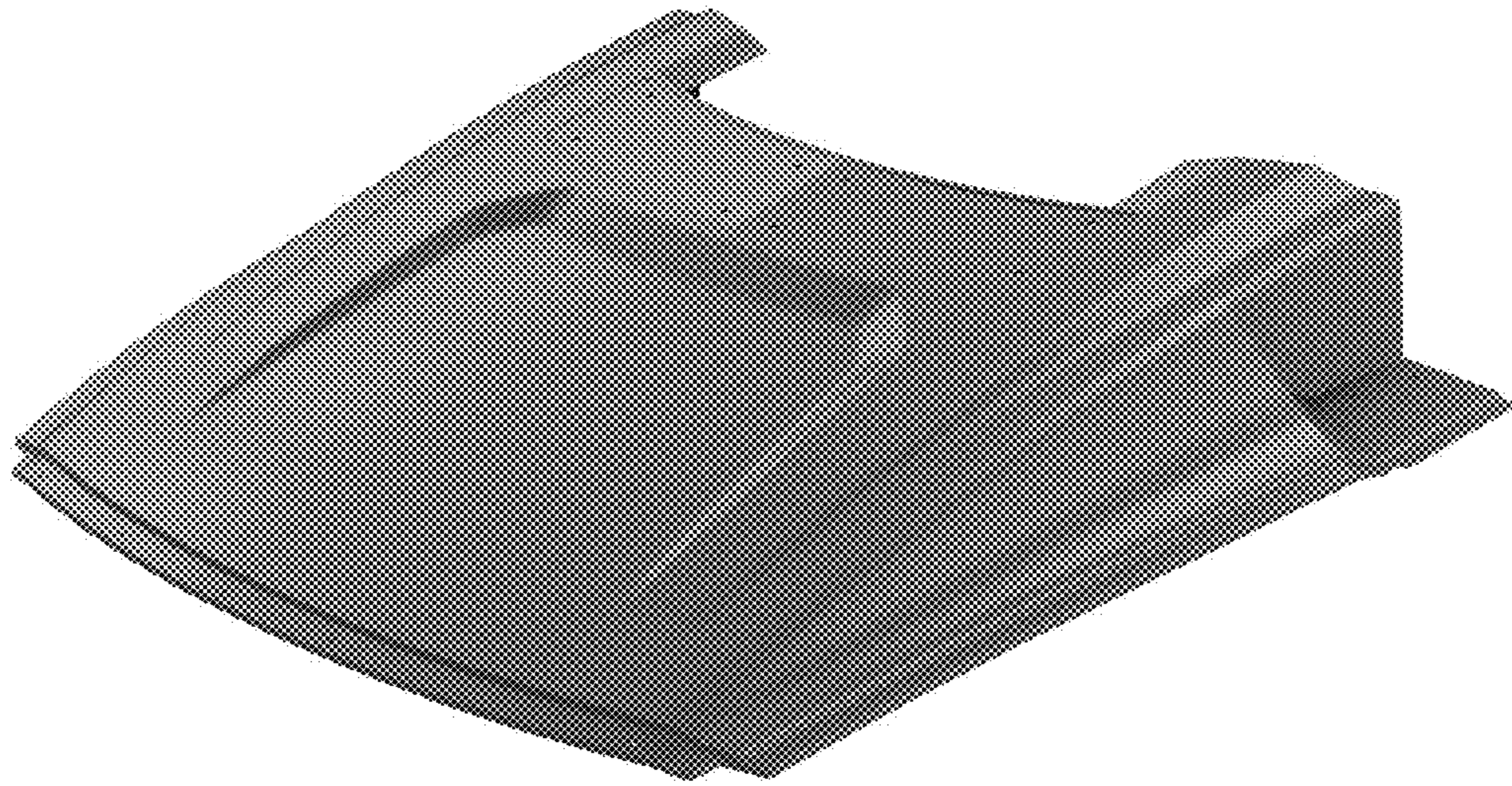


FIG. 2

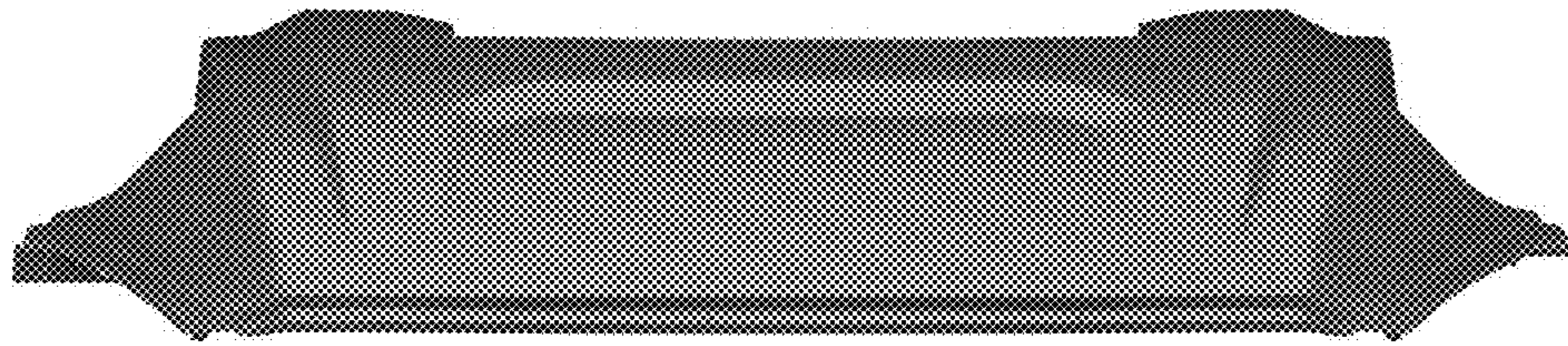


FIG. 3



FIG. 4



FIG. 5

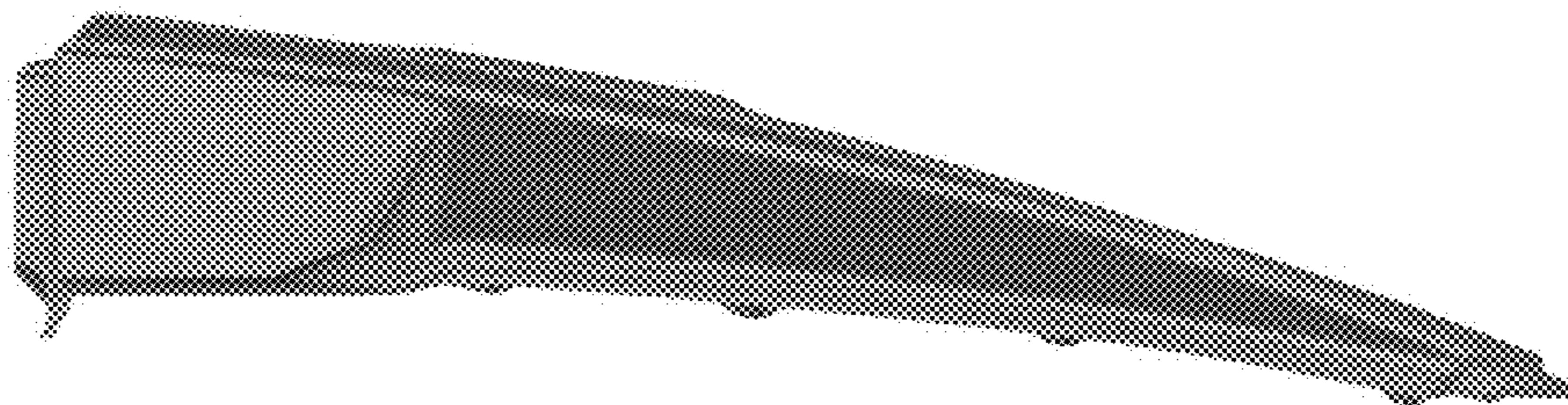


FIG. 6

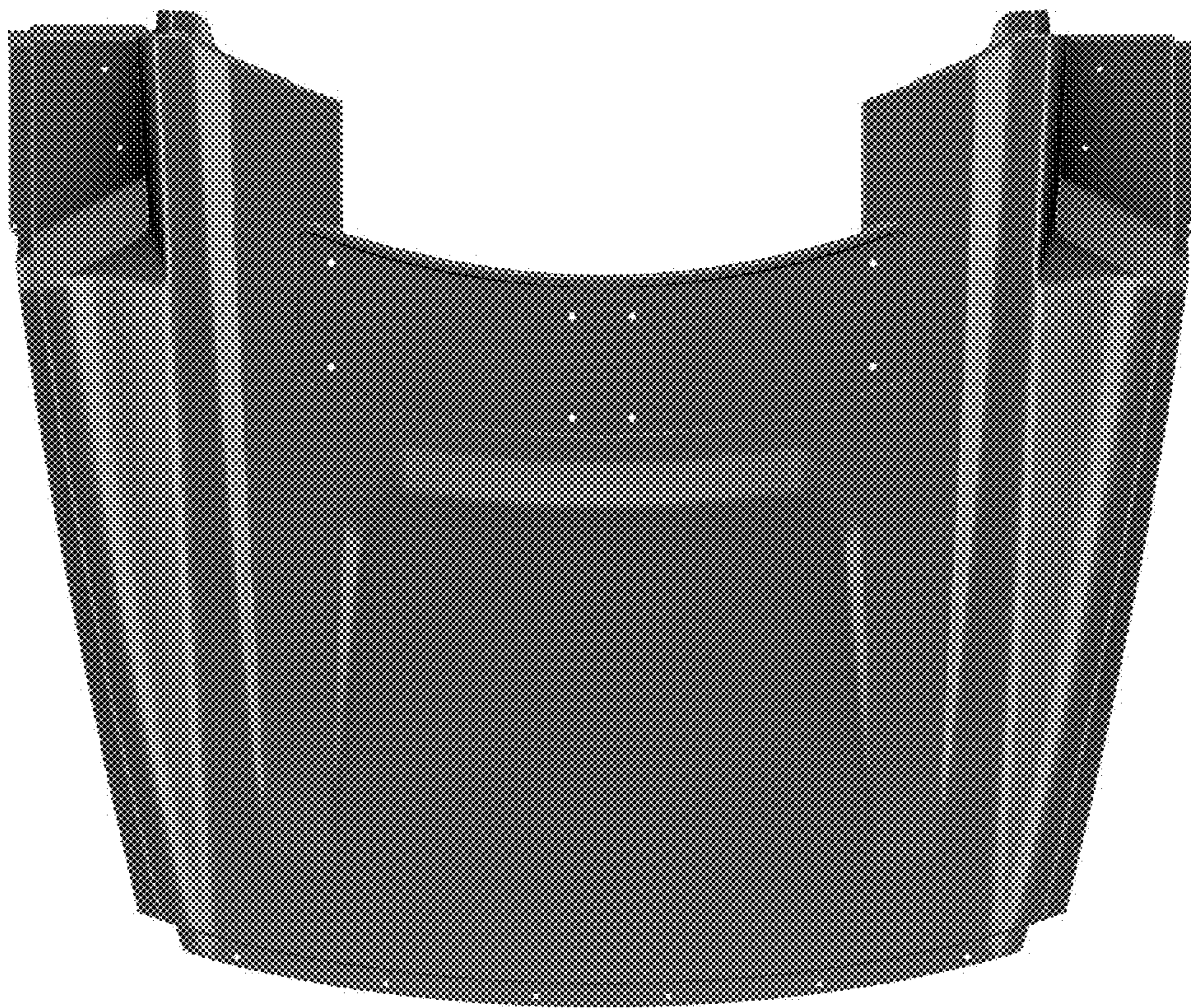


FIG. 7

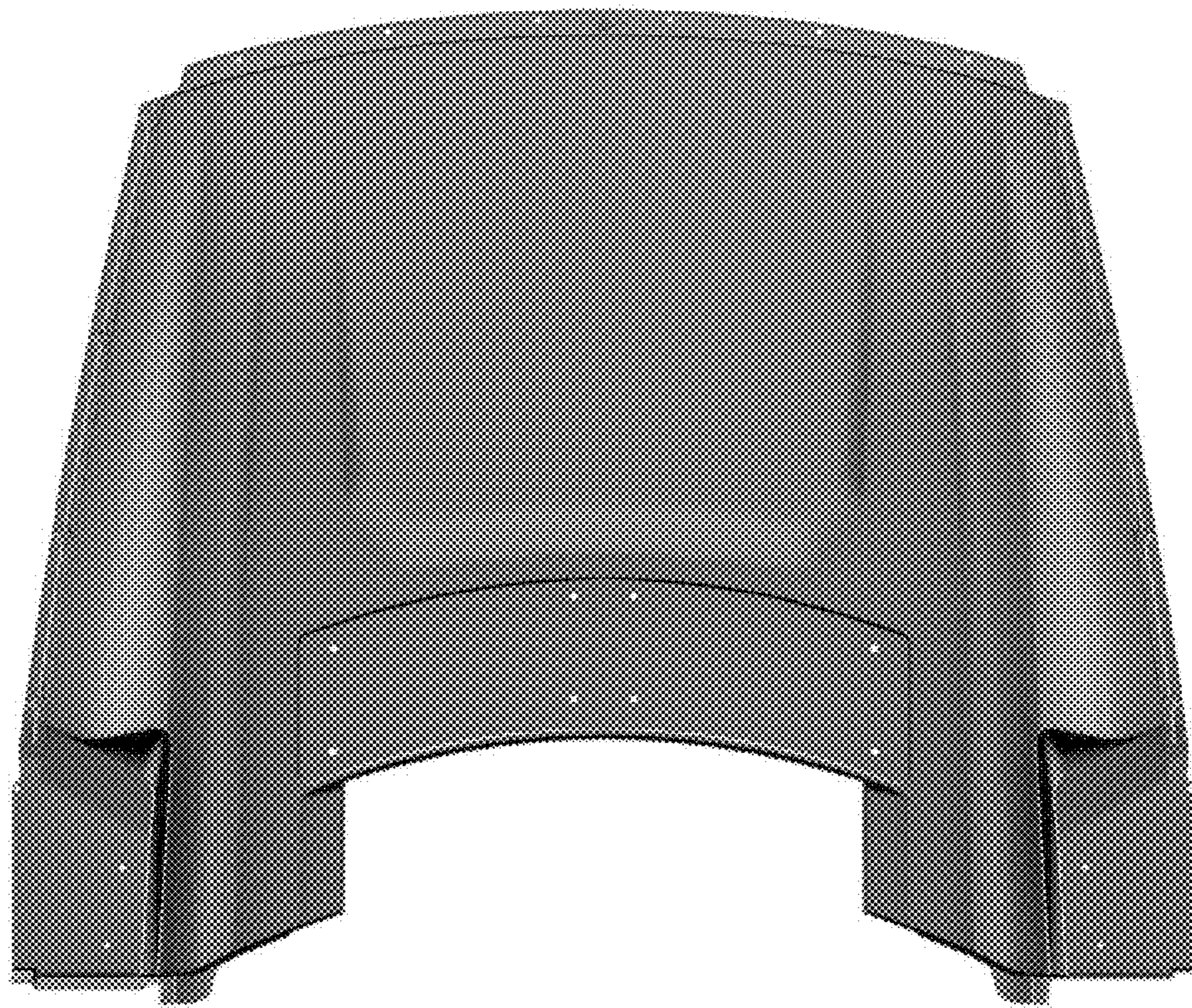


FIG. 8