



US00D820745S

(12) **United States Design Patent**  
**Woodhouse et al.**

(10) **Patent No.:** **US D820,745 S**  
(45) **Date of Patent:** **\*\* Jun. 19, 2018**

(54) **VEHICLE REAR UPPER BUMPER COVER**

(56) **References Cited**

(71) Applicant: **Ford Global Technologies, LLC**,  
Dearborn, MI (US)  
(72) Inventors: **David Woodhouse**, Troy, MI (US);  
**Earl Lucas**, Southfield, MI (US);  
**Jaewoo Chang**, Novi, MI (US);  
**Nonthawat Kongsari**, Melbourne (AU)  
(73) Assignee: **Ford Global Technologies, LLC**,  
Dearborn, MI (US)

U.S. PATENT DOCUMENTS

D708,994 S \* 7/2014 Thurber ..... D12/169  
D761,705 S \* 7/2016 Song ..... D12/169

\* cited by examiner

*Primary Examiner* — Melody N Brown  
(74) *Attorney, Agent, or Firm* — James Dottavio

(\*\*) Term: **15 Years**

(57) **CLAIM**

The ornamental design for a vehicle rear upper bumper cover, as shown and described.

(21) Appl. No.: **29/597,069**

**DESCRIPTION**

(22) Filed: **Mar. 14, 2017**

(51) **LOC (11) Cl.** ..... **12-16**

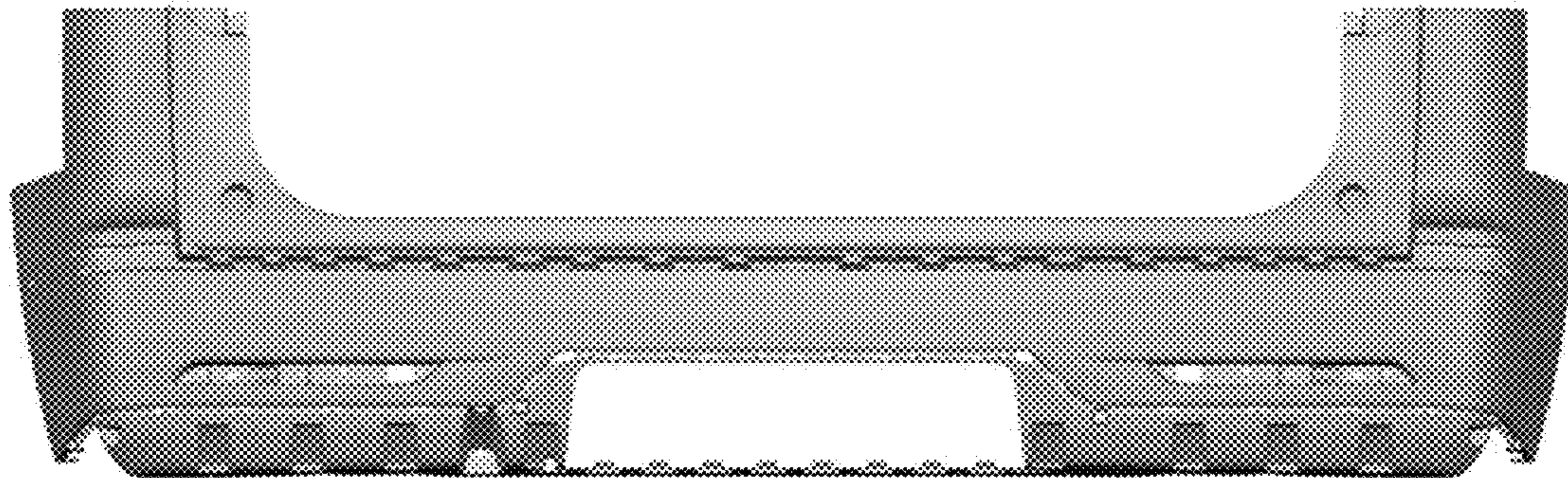
(52) **U.S. Cl.**  
USPC ..... **D12/169**

(58) **Field of Classification Search**  
USPC .... D12/169, 216, 90-92, 86, 171, 196, 163;  
293/102, 113, 115, 117, 120; 296/180.1,  
296/180.2

FIG. 1 is a top, front and left side perspective view of a vehicle rear upper bumper cover showing our new design; FIG. 2 is a bottom, front and left side perspective view thereof; FIG. 3 is a top, rear and left side perspective view thereof; FIG. 4 is a front elevational view thereof; FIG. 5 is a rear elevational view thereof; FIG. 6 is a left side elevational view thereof; FIG. 7 is a right side elevational view thereof; FIG. 8 is a top plan view thereof; and, FIG. 9 is a bottom plan view thereof.

CPC ..... B60R 19/02; B60R 19/04; B62D 25/08  
See application file for complete search history.

**1 Claim, 9 Drawing Sheets**



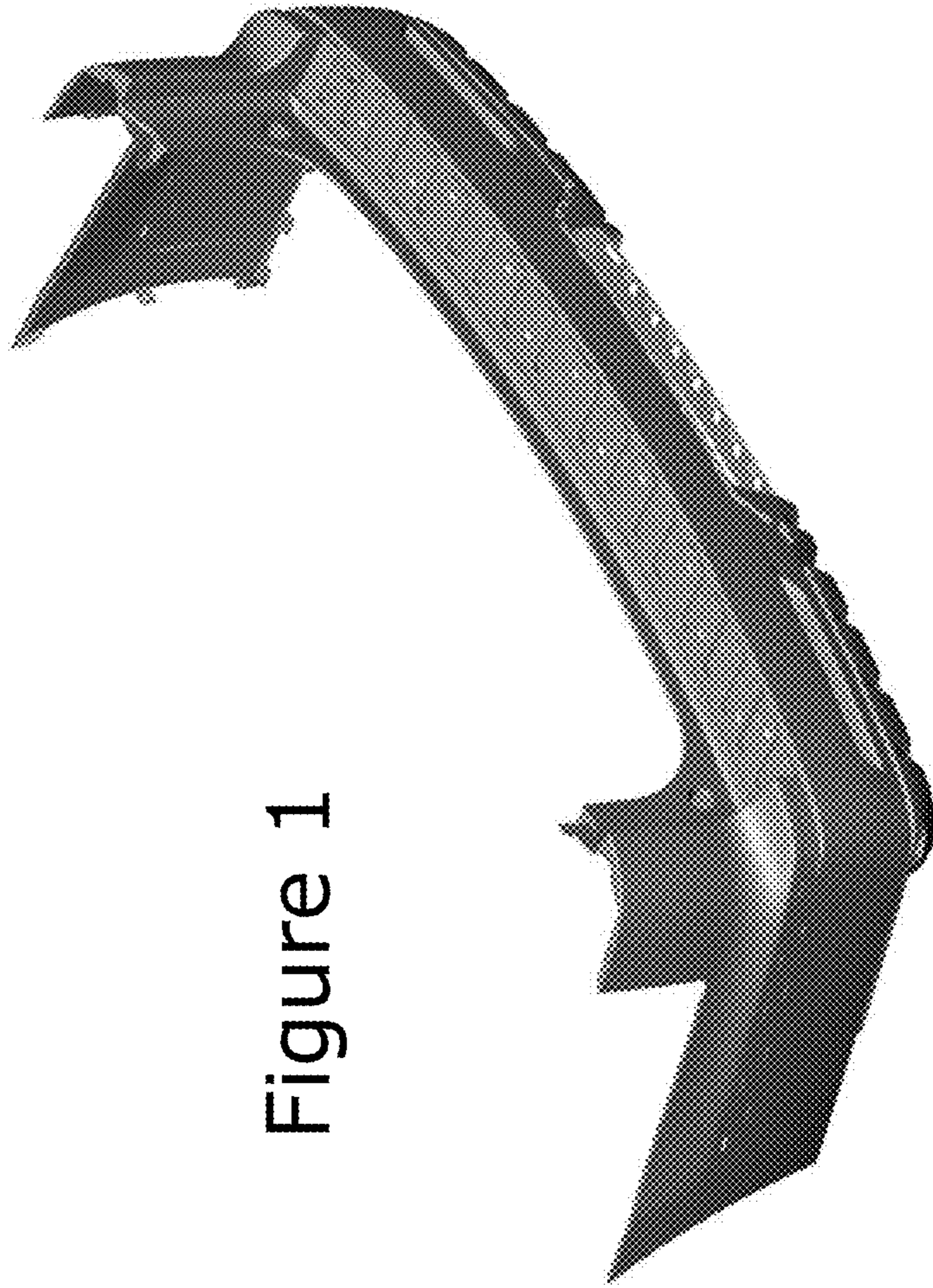


Figure 1

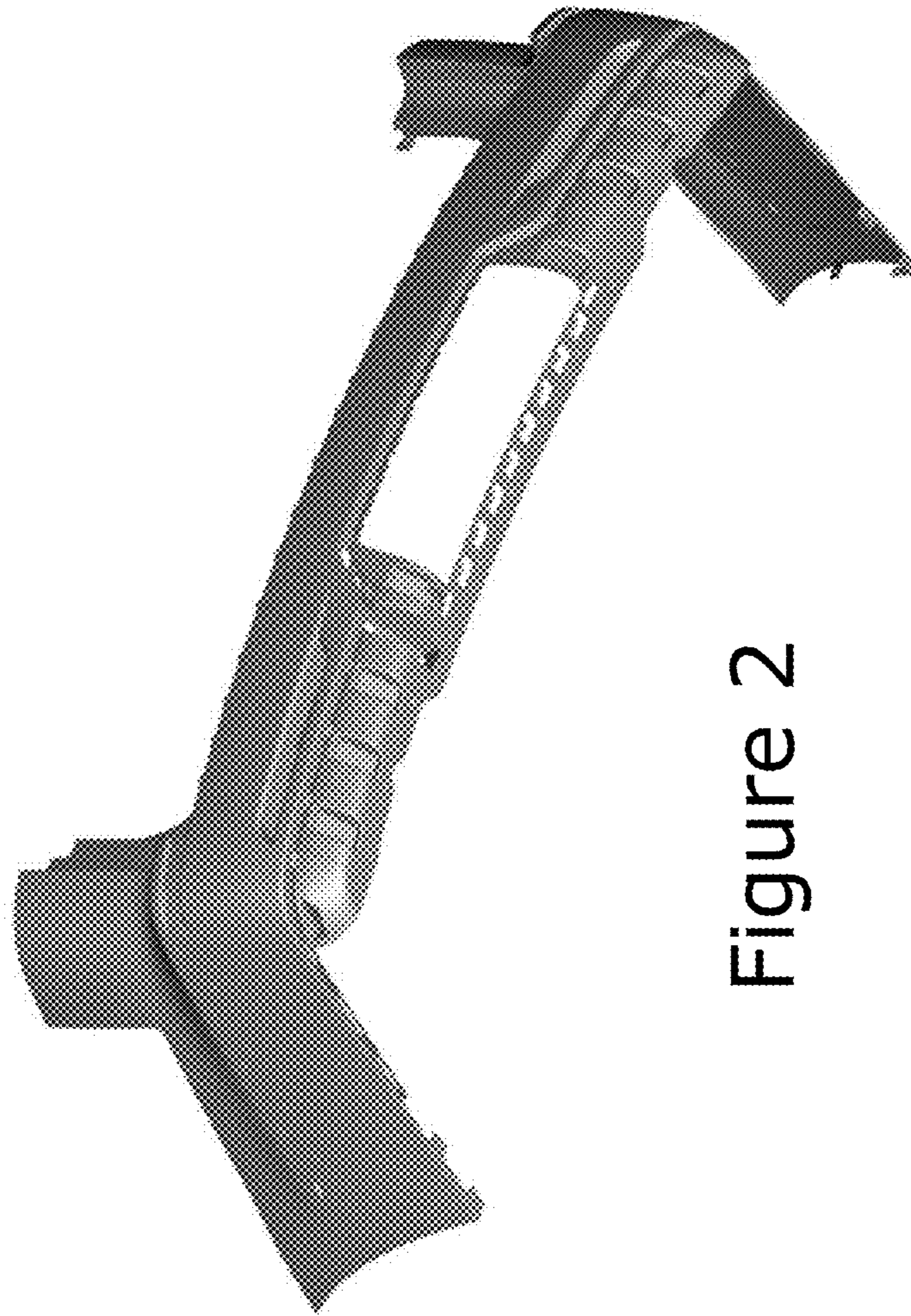


Figure 2

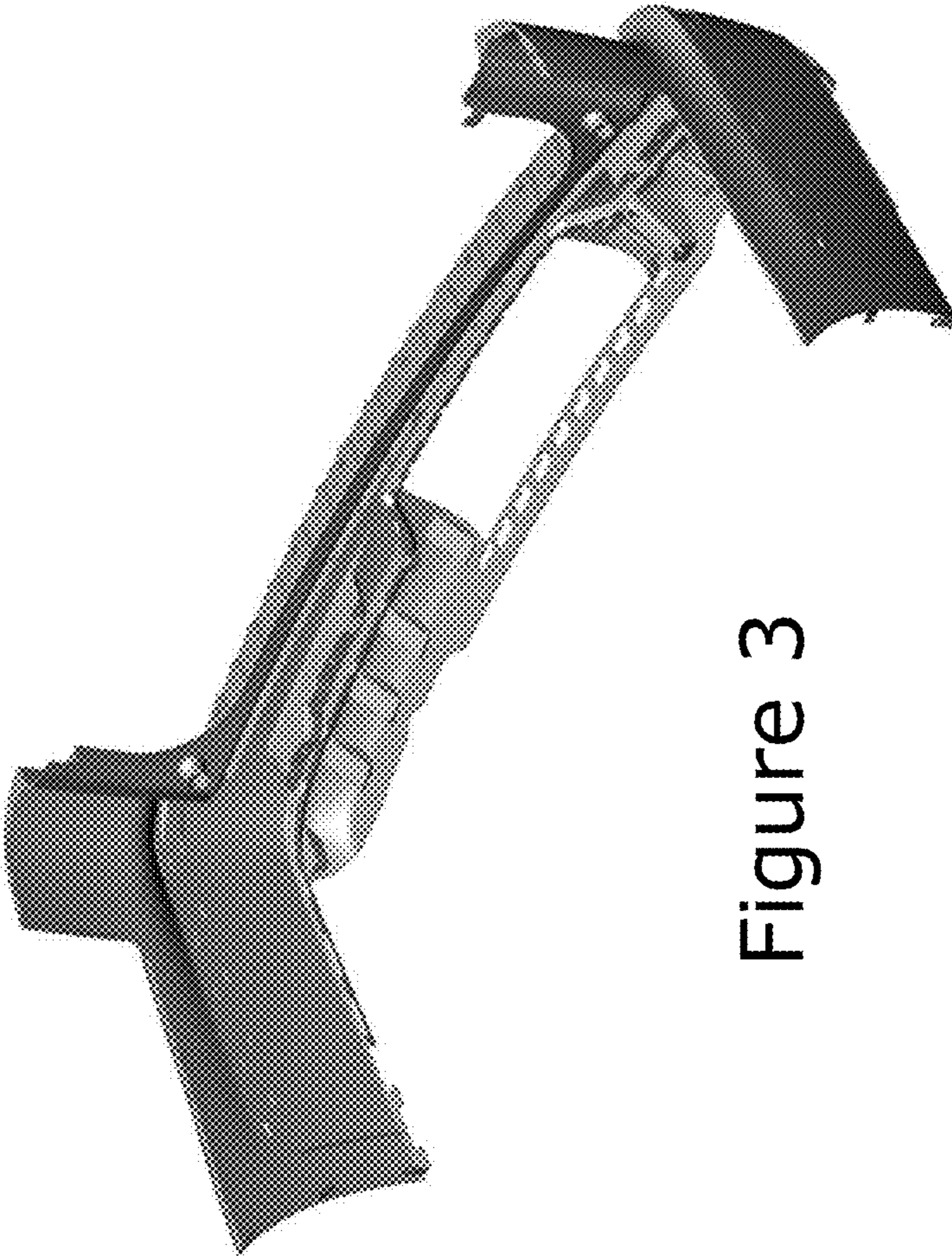


Figure 3

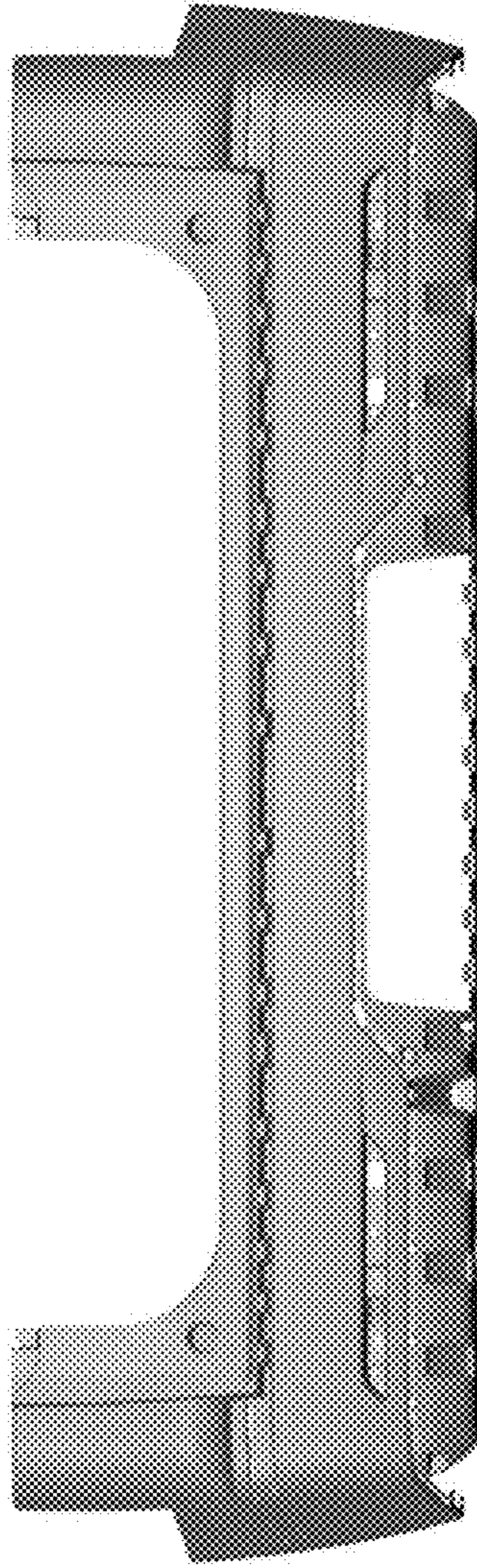


Figure 4

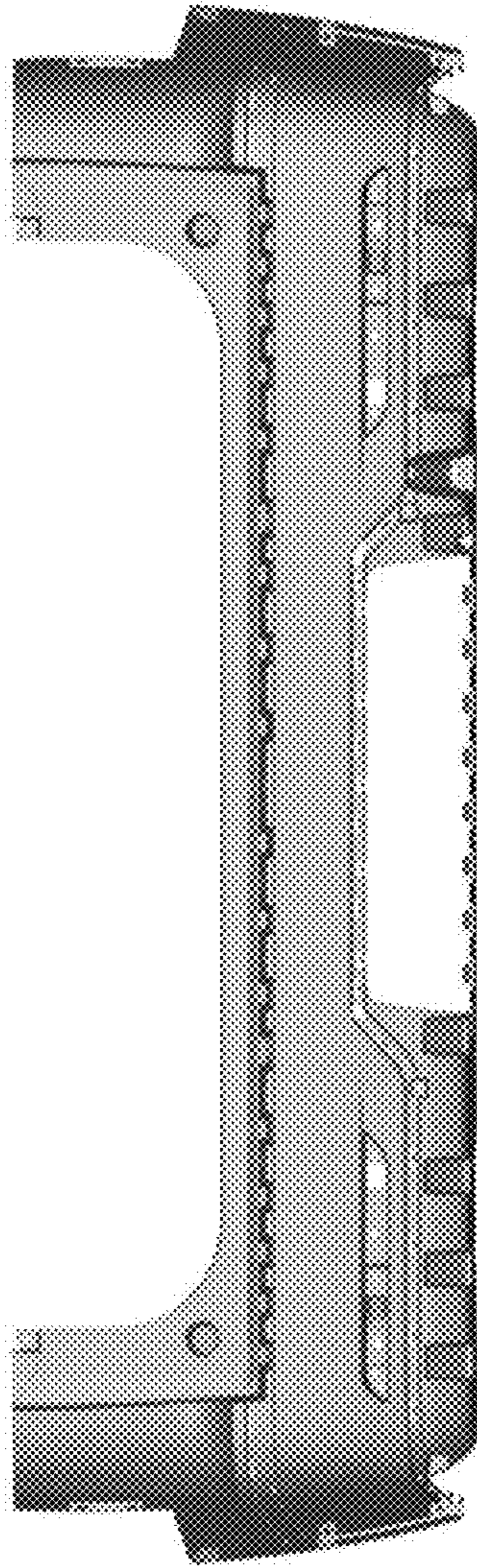


Figure 5

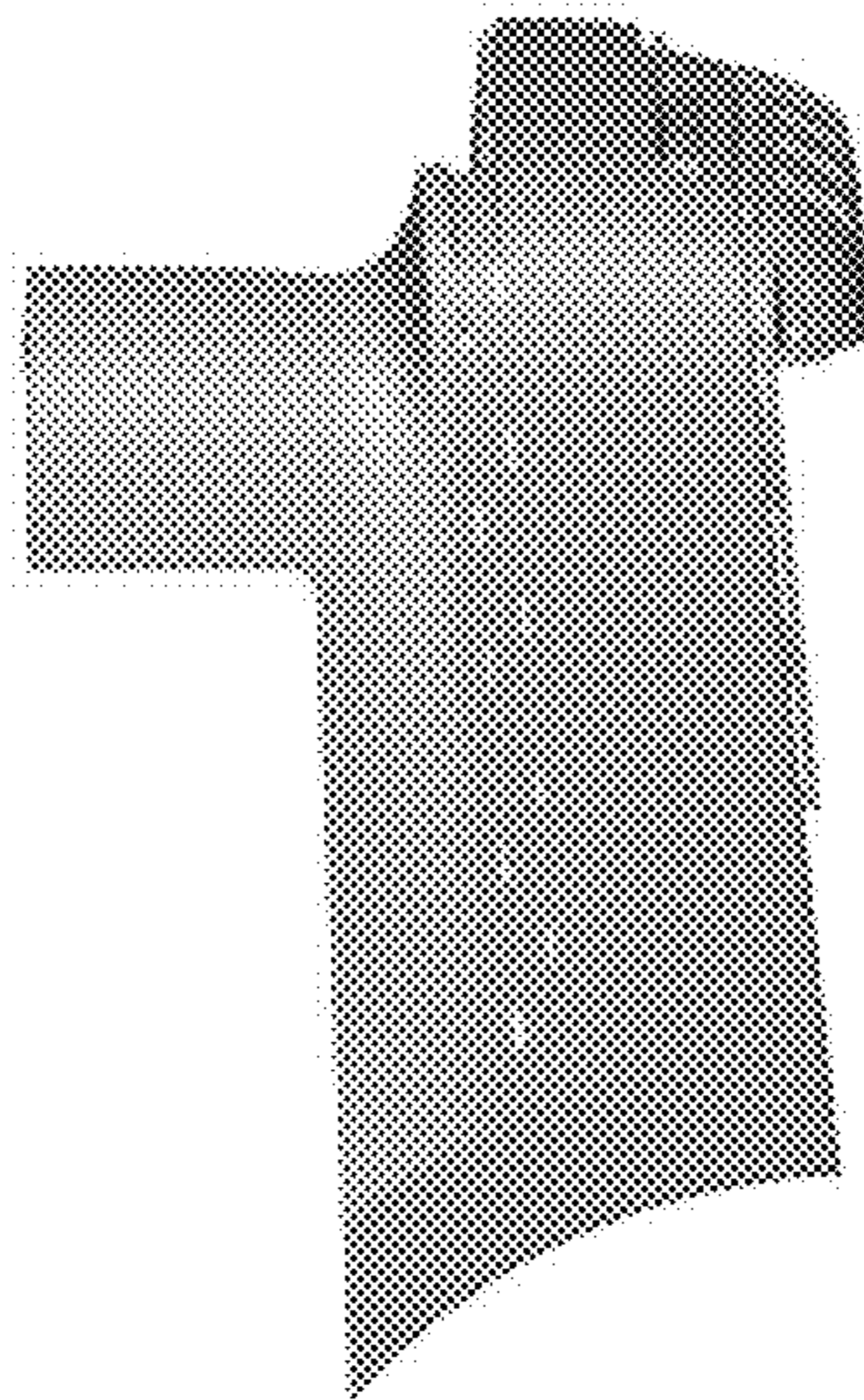


Figure 6

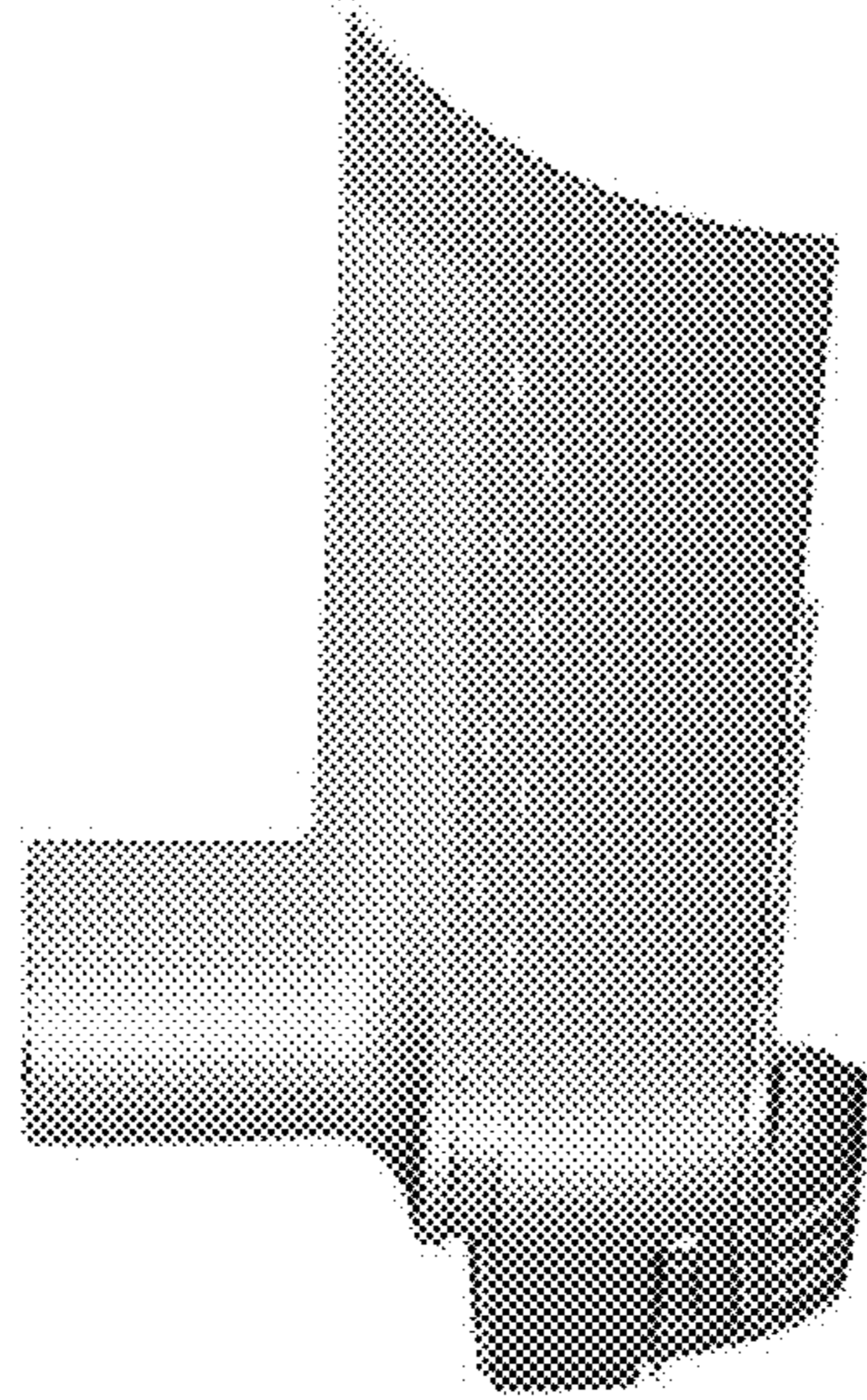


Figure 7



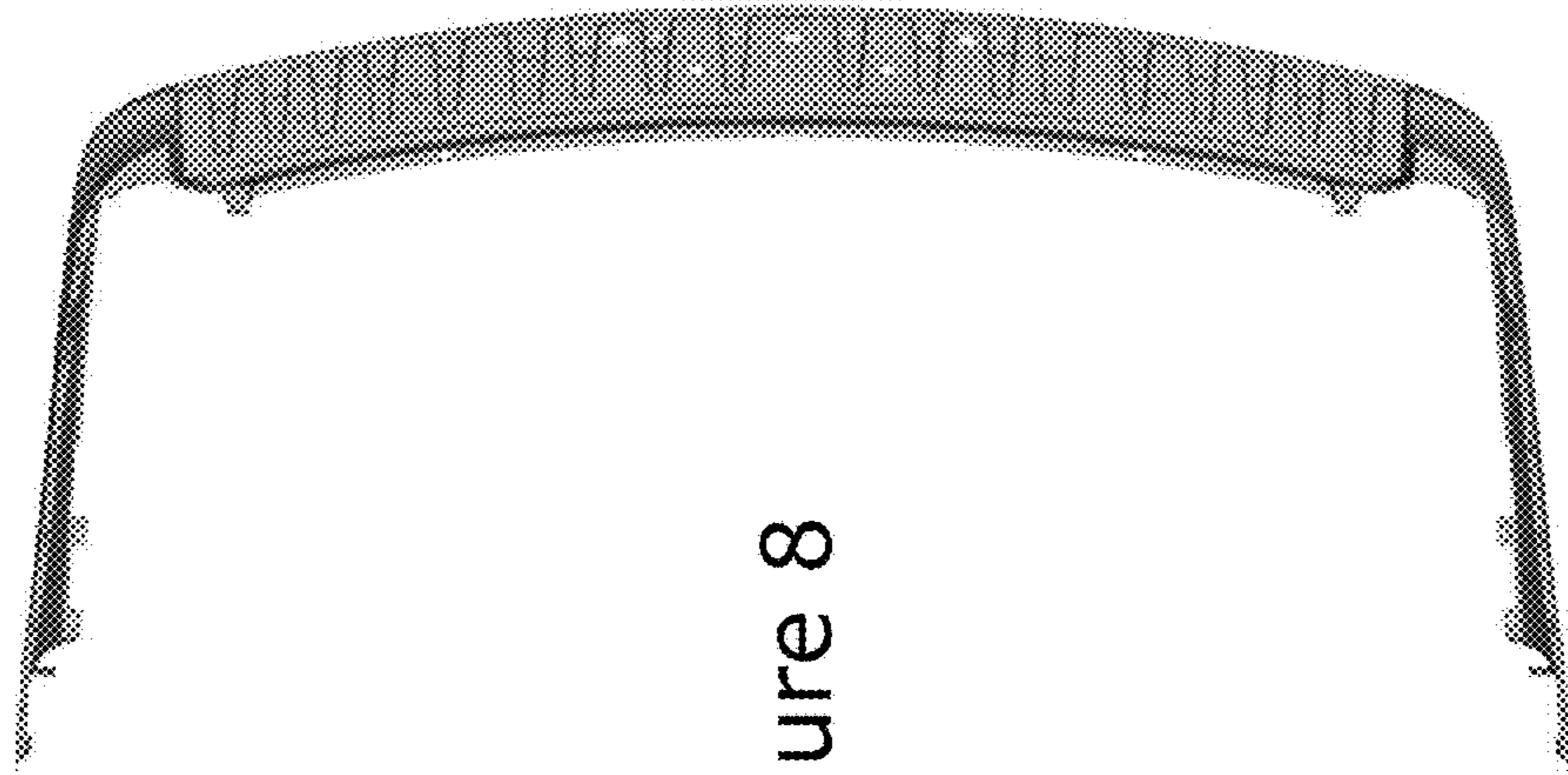


Figure 8

Figure 9

