

US00D820744S

(12) **United States Design Patent**
Woodhouse et al.

(10) **Patent No.:** **US D820,744 S**
(45) **Date of Patent:** **** Jun. 19, 2018**

(54) **VEHICLE REAR UPPER BUMPER COVER**

(56) **References Cited**

(71) Applicant: **Ford Global Technologies, LLC**,
Dearborn, MI (US)
(72) Inventors: **David Woodhouse**, Troy, MI (US);
Earl Lucas, Southfield, MI (US);
Jaewoo Chang, Novi, MI (US);
Nonthawat Kongsari, Melbourne (AU)
(73) Assignee: **Ford Global Technologies, LLC**,
Dearborn, MI (US)

U.S. PATENT DOCUMENTS

D708,994 S * 7/2014 Thurber D12/169
D761,705 S * 7/2016 Song D12/169

(**) Term: **15 Years**

* cited by examiner

Primary Examiner — Melody N Brown
(74) *Attorney, Agent, or Firm* — James Dottavio

(21) Appl. No.: **29/597,065**

(22) Filed: **Mar. 14, 2017**

(51) **LOC (11) Cl.** **12-16**

(52) **U.S. Cl.**
USPC **D12/169**

(58) **Field of Classification Search**
USPC D12/169, 216, 90-92, 86, 171, 196, 163;
293/102, 113, 115, 117, 120; 296/180.1,
296/180.2

CPC B60R 19/02; B60R 19/04; B62D 25/08
See application file for complete search history.

(57) **CLAIM**

The ornamental design for a vehicle rear upper bumper cover, as shown and described.

DESCRIPTION

FIG. 1 is a top, front and left side perspective view of a vehicle rear upper bumper cover showing our new design; FIG. 2 is a bottom, front and left side perspective view thereof; FIG. 3 is a top, rear and left side perspective view thereof; FIG. 4 is a rear elevational view thereof; FIG. 5 is a front elevational view thereof; FIG. 6 is a left side elevational view thereof; FIG. 7 is a right side elevational view thereof; FIG. 8 is a top plan view thereof; and, FIG. 9 is a bottom plan view thereof.

1 Claim, 9 Drawing Sheets

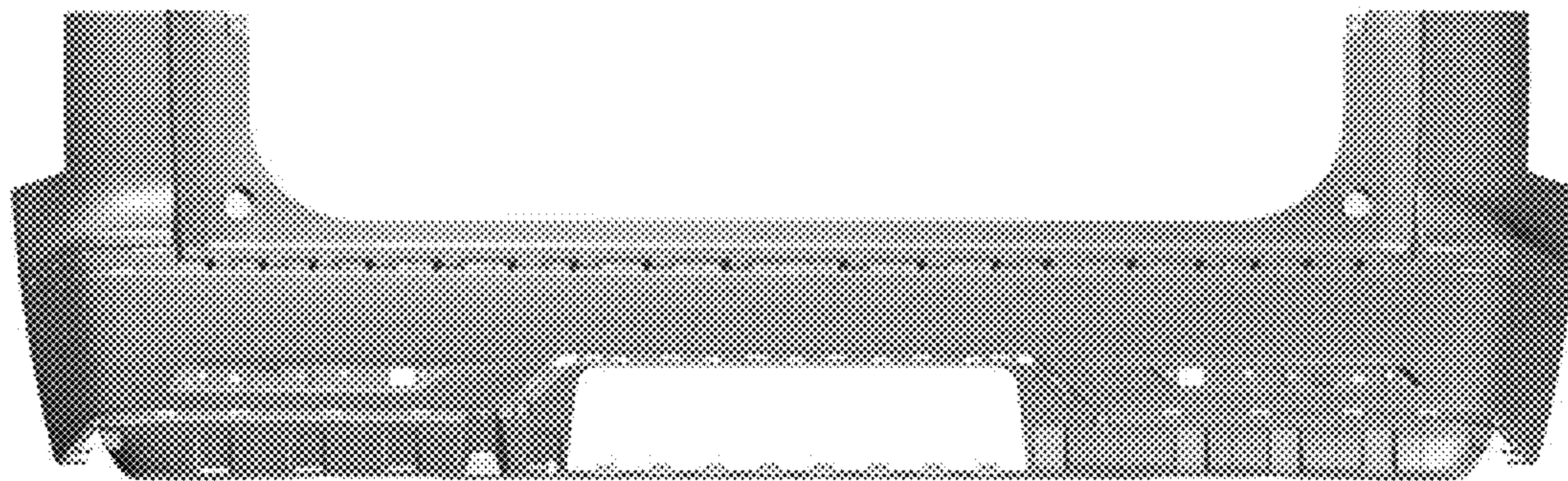




Figure 1

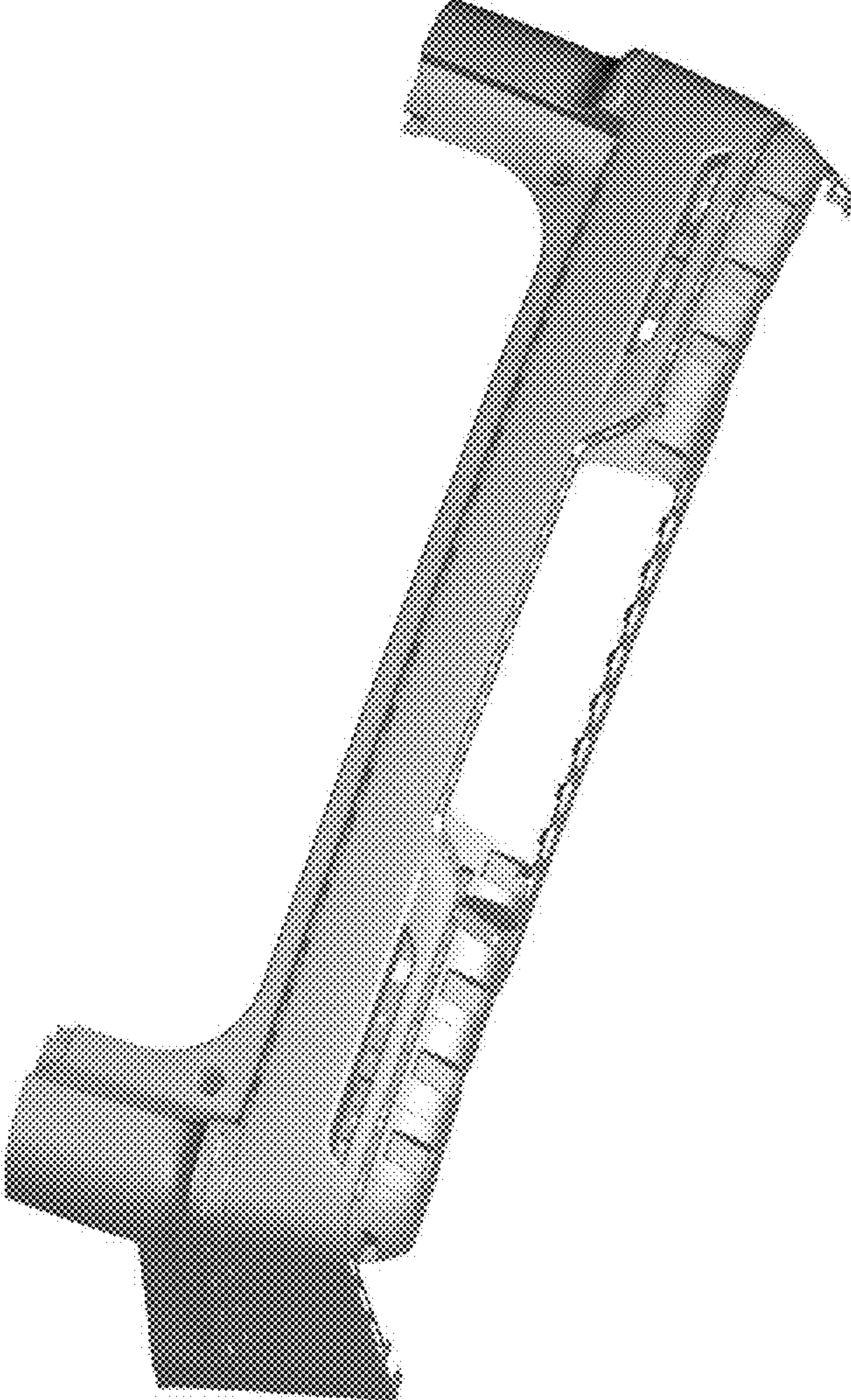


Figure 2

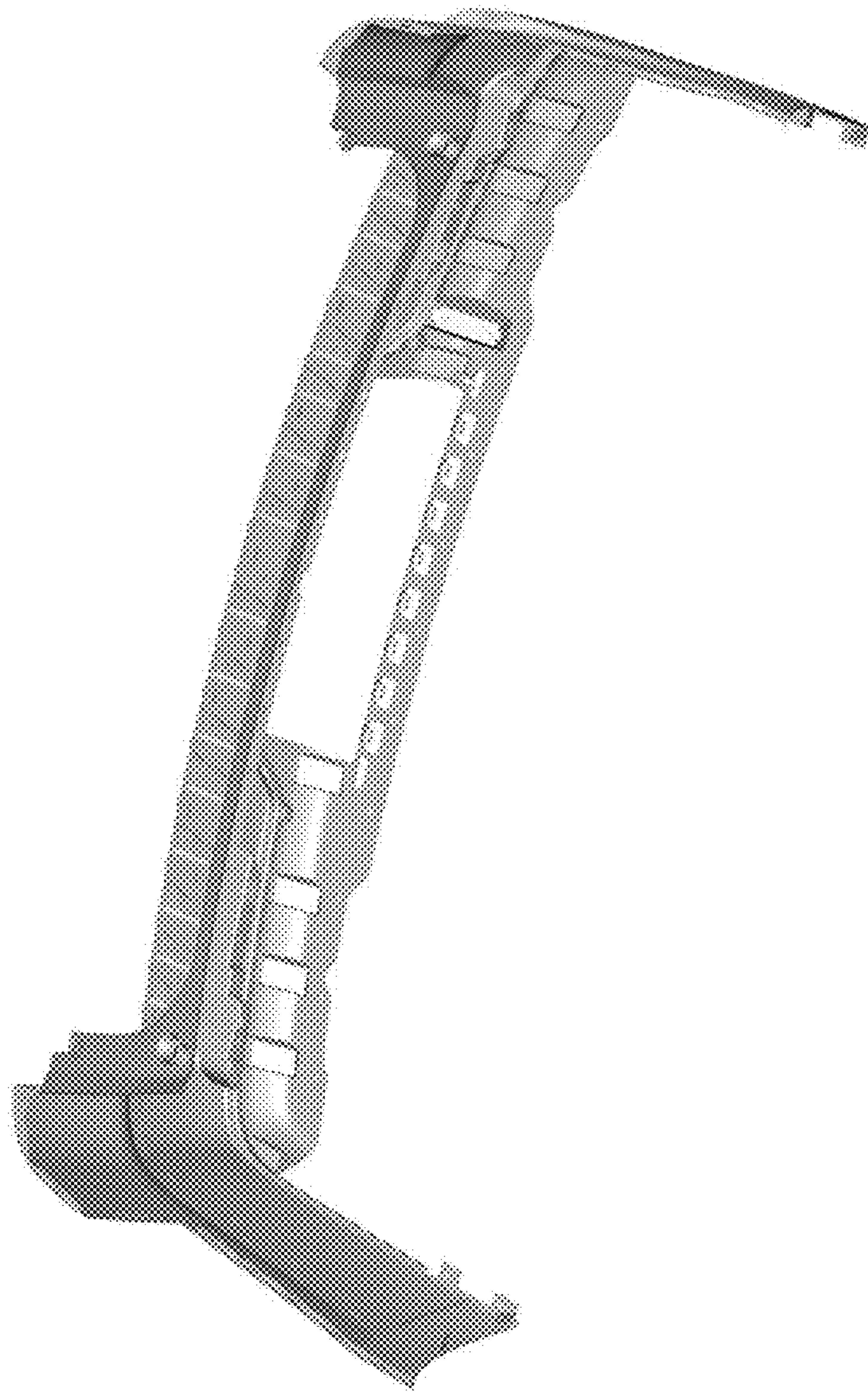


Figure 3

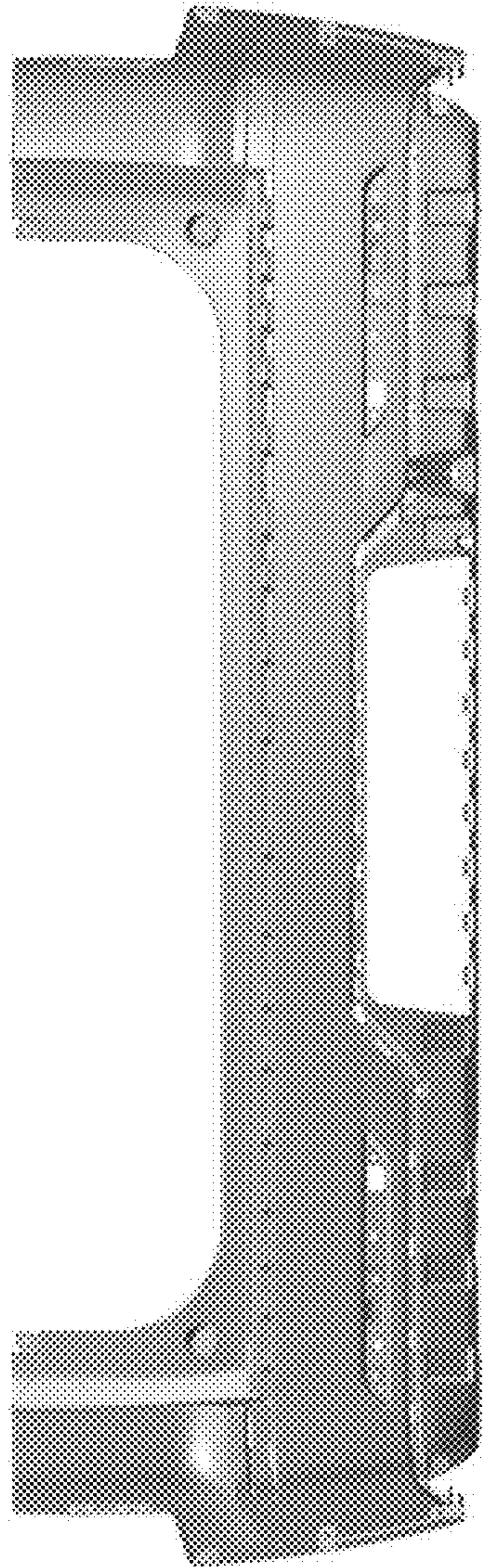


Figure 4

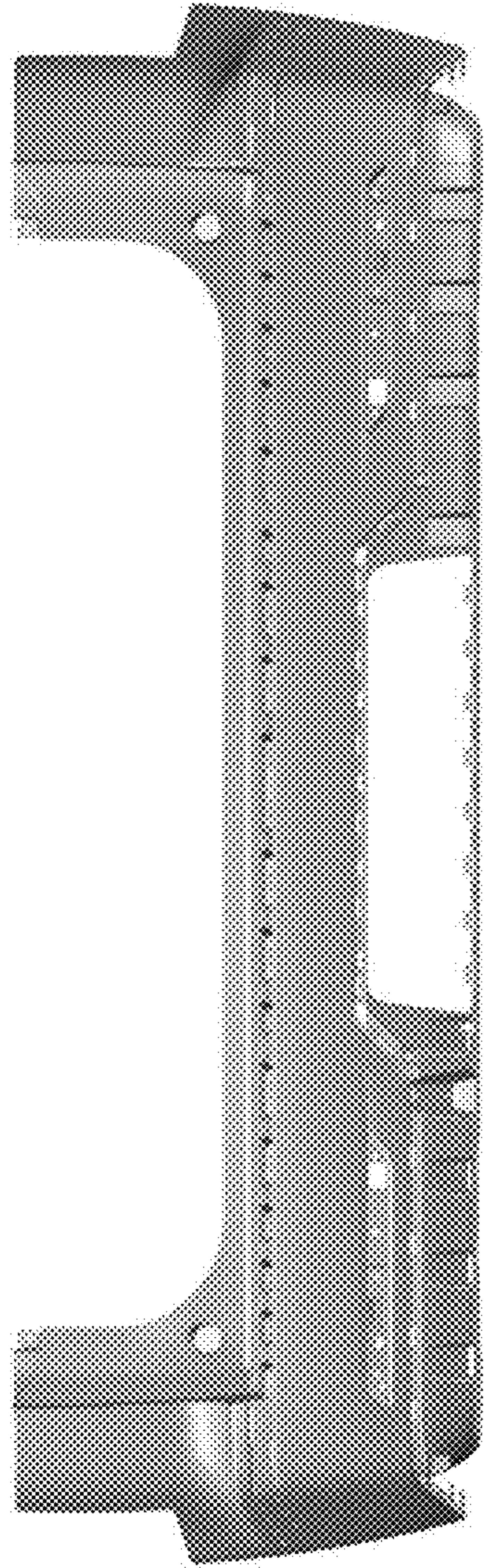


Figure 5

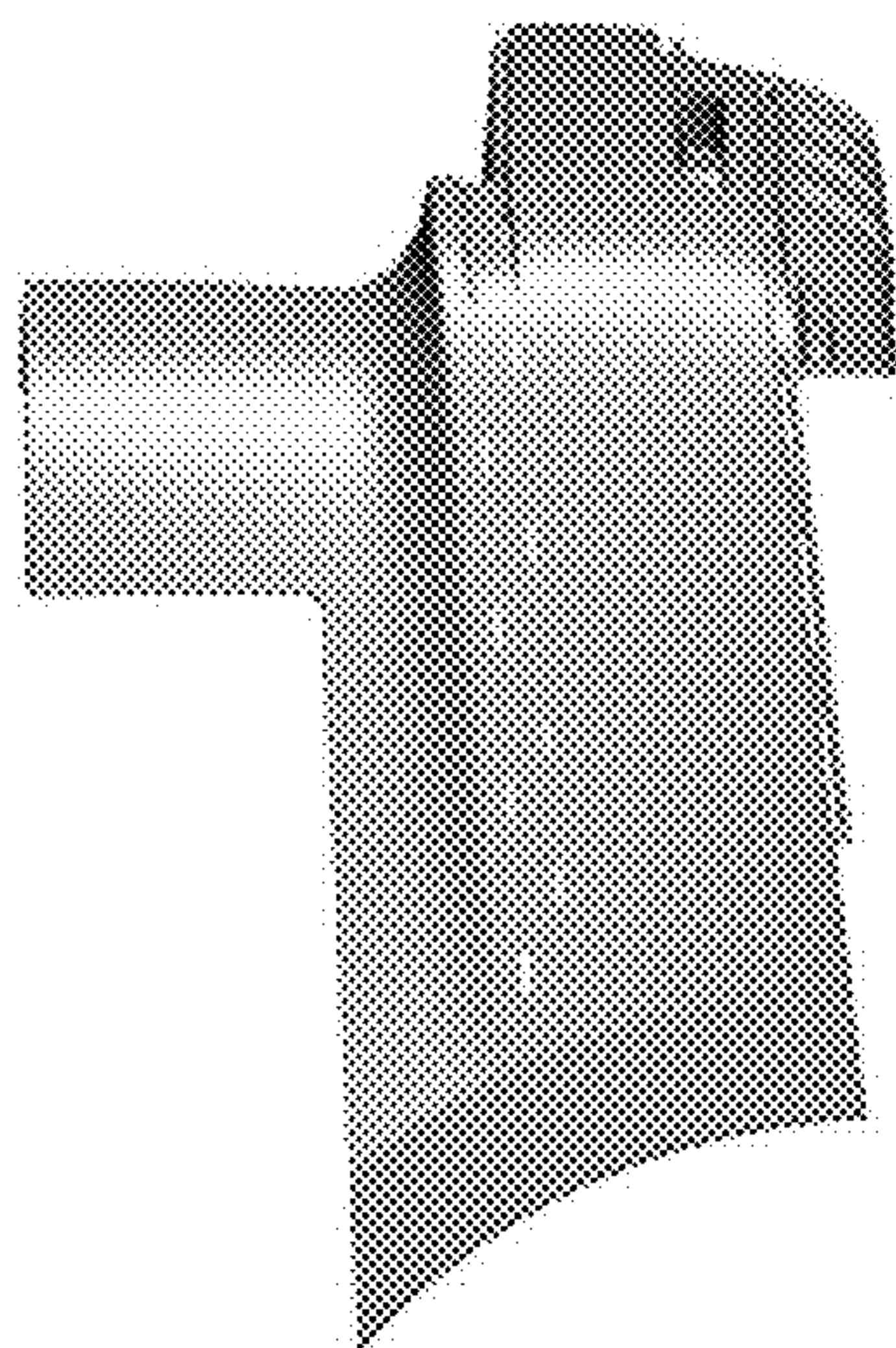


Figure 6

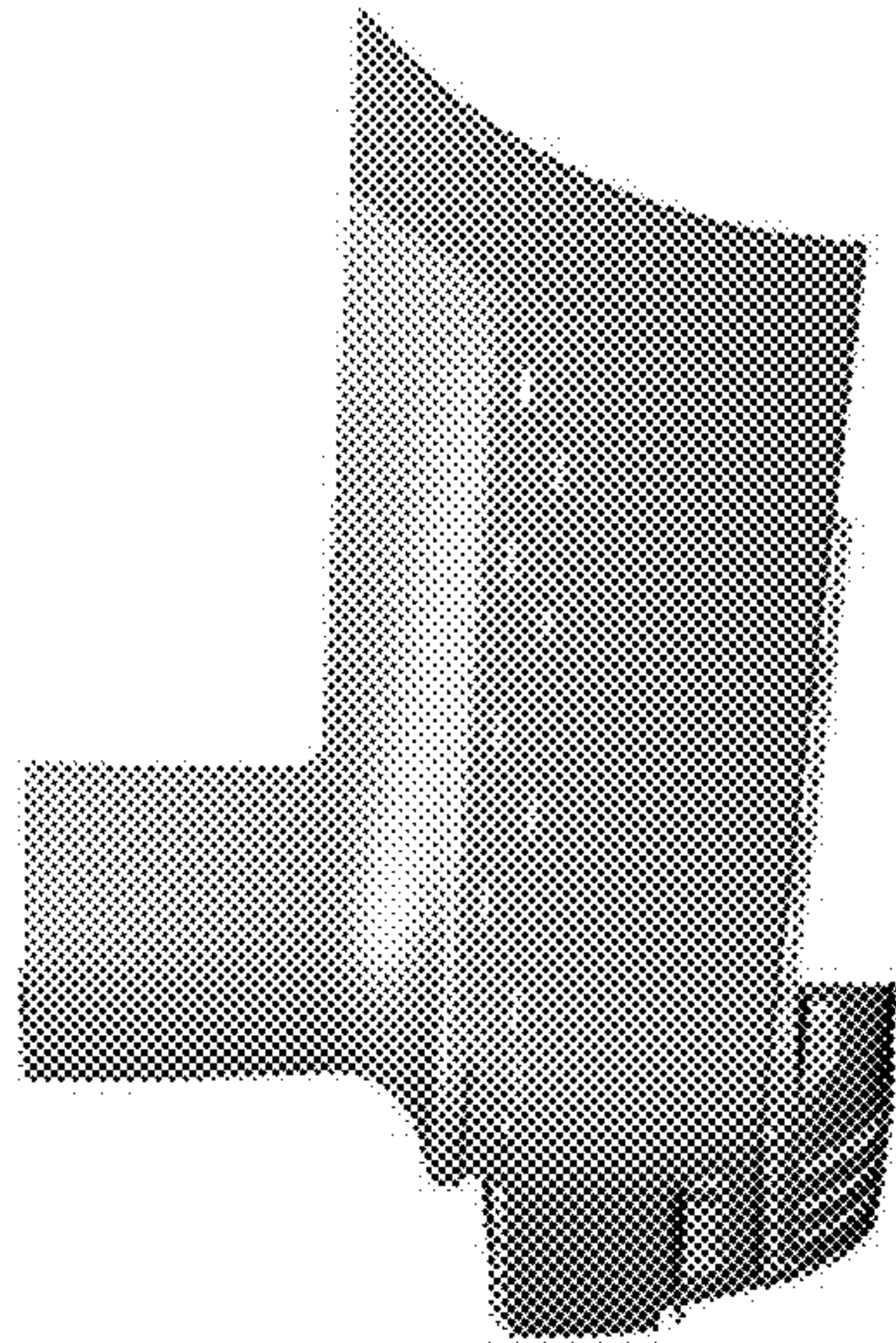


Figure 7

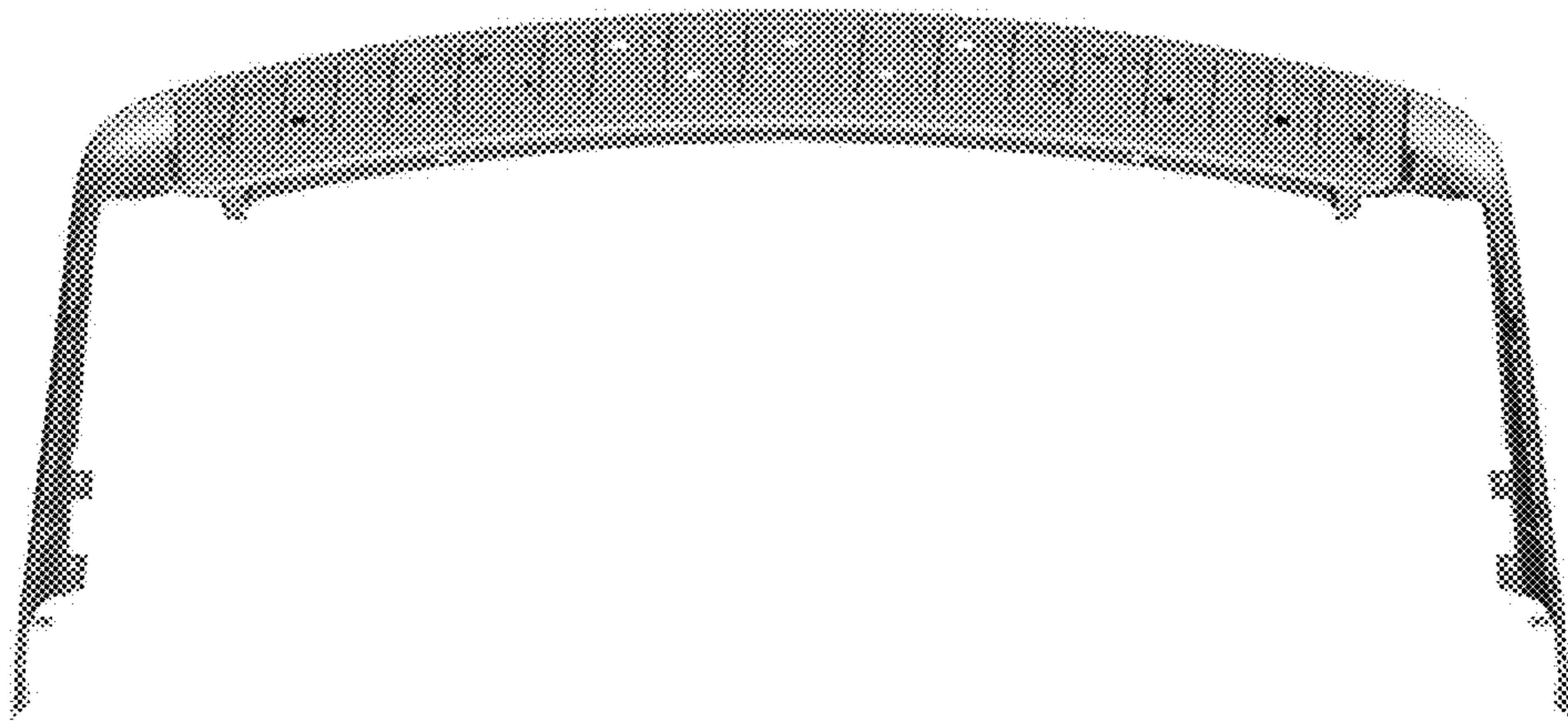


Figure 8

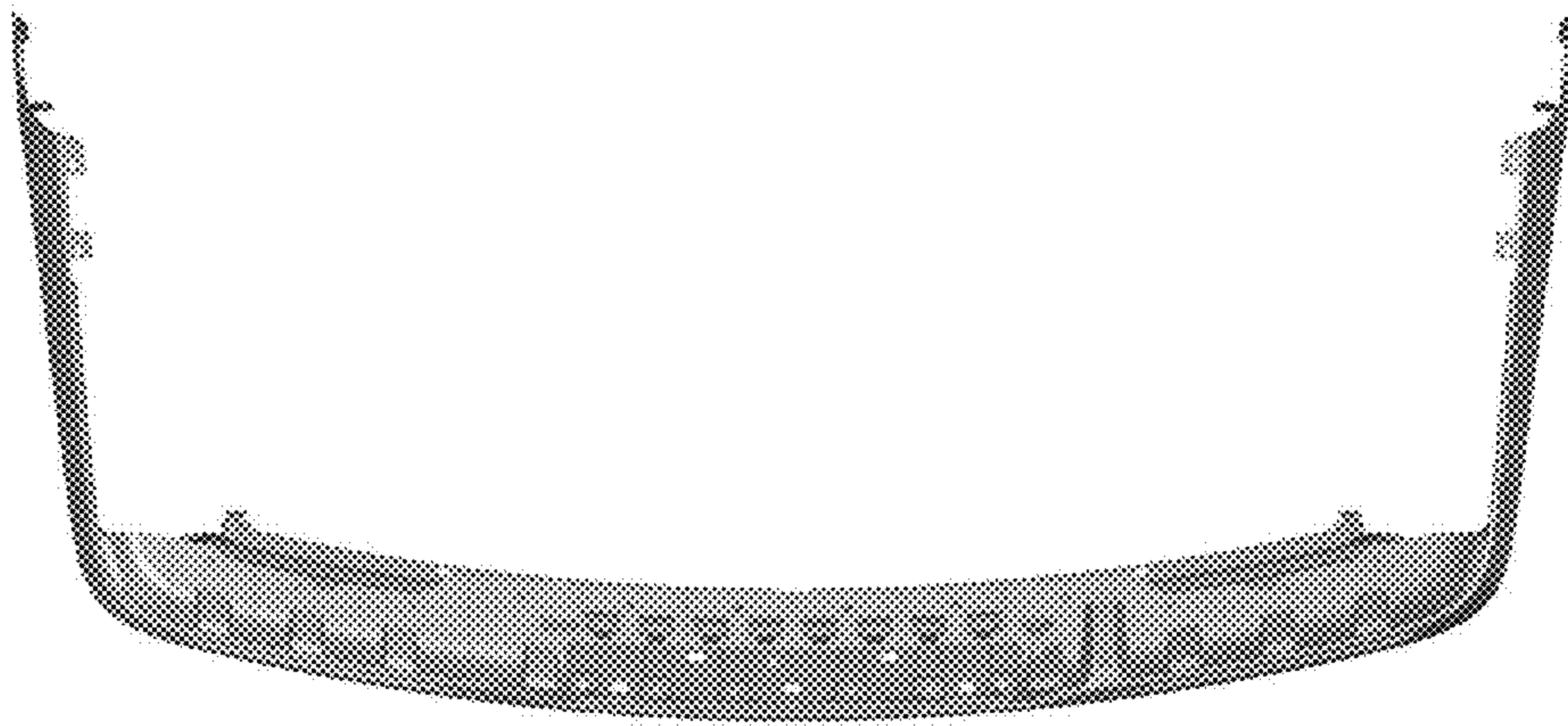


Figure 9