



US00D820741S

(12) **United States Design Patent**
Patel et al.

(10) **Patent No.:** **US D820,741 S**
(45) **Date of Patent:** **** Jun. 19, 2018**

- (54) **FRONT BUMPER**
- (71) Applicant: **Jaguar Land Rover Limited**, Whitley, Coventry (GB)
- (72) Inventors: **Paven Patel**, Coventry (GB); **Alex Chan**, Coventry (GB); **Luke Smith**, Coventry (GB)
- (73) Assignee: **Jaguar Land Rover Limited**, Whitley, Coventry (GB)
- (**) Term: **15 Years**
- (21) Appl. No.: **29/589,864**
- (22) Filed: **Jan. 5, 2017**

Related U.S. Application Data

- (62) Division of application No. 29/532,493, filed on Jul. 7, 2015, now Pat. No. Des. 779,396.

(30) **Foreign Application Priority Data**

- Jan. 9, 2015 (EM) 002611020
- Jun. 29, 2015 (EM) 002727644
- Jul. 1, 2015 (EM) 002729723

- (51) **LOC (11) Cl.** **12-16**
- (52) **U.S. Cl.**
USPC **D12/169**; D12/82
- (58) **Field of Classification Search**
USPC D12/91, 92, 163, 164, 169, 171
CPC . B60R 19/02; B60R 2019/1886; B60R 19/48;
B60R 19/52; B60R 19/56
See application file for complete search history.

(56) **References Cited**

U.S. PATENT DOCUMENTS

- D575,694 S * 8/2008 Opfer D12/169
- D575,696 S * 8/2008 Gale D12/169

- D579,831 S * 11/2008 Gabath D12/169
- D584,200 S * 1/2009 Leclercq D12/169
- D589,414 S * 3/2009 Futschik D12/169
- D615,910 S * 5/2010 Borkert D12/169
- D623,566 S * 9/2010 Bauer D12/169
- D630,978 S * 1/2011 Koshino D12/169
- D643,350 S * 8/2011 Furst D12/169
- D665,712 S * 8/2012 Tanai D12/169
- D673,086 S * 12/2012 Frenzel D12/169
- D718,662 S * 12/2014 Ishizuka D12/92
- D721,021 S * 1/2015 Hanaoka D12/169
- D721,624 S * 1/2015 George D12/169
- D725,007 S * 3/2015 Beaven D12/164
- D725,562 S * 3/2015 Beaven D12/187
- D731,922 S * 6/2015 Beaven D12/91
- D739,305 S * 9/2015 Gunnarson D12/91
- D740,177 S * 10/2015 Callum D12/92
- D746,722 S * 1/2016 Henstridge D12/91
- D747,243 S * 1/2016 Patel D12/169
- D749,474 S * 2/2016 Battams D12/169
- D750,538 S * 3/2016 Buck D12/169

(Continued)

Primary Examiner — Karen E Kearney

Assistant Examiner — Katherine A Holbrow

(74) *Attorney, Agent, or Firm* — Wood Herron & Evans LLP

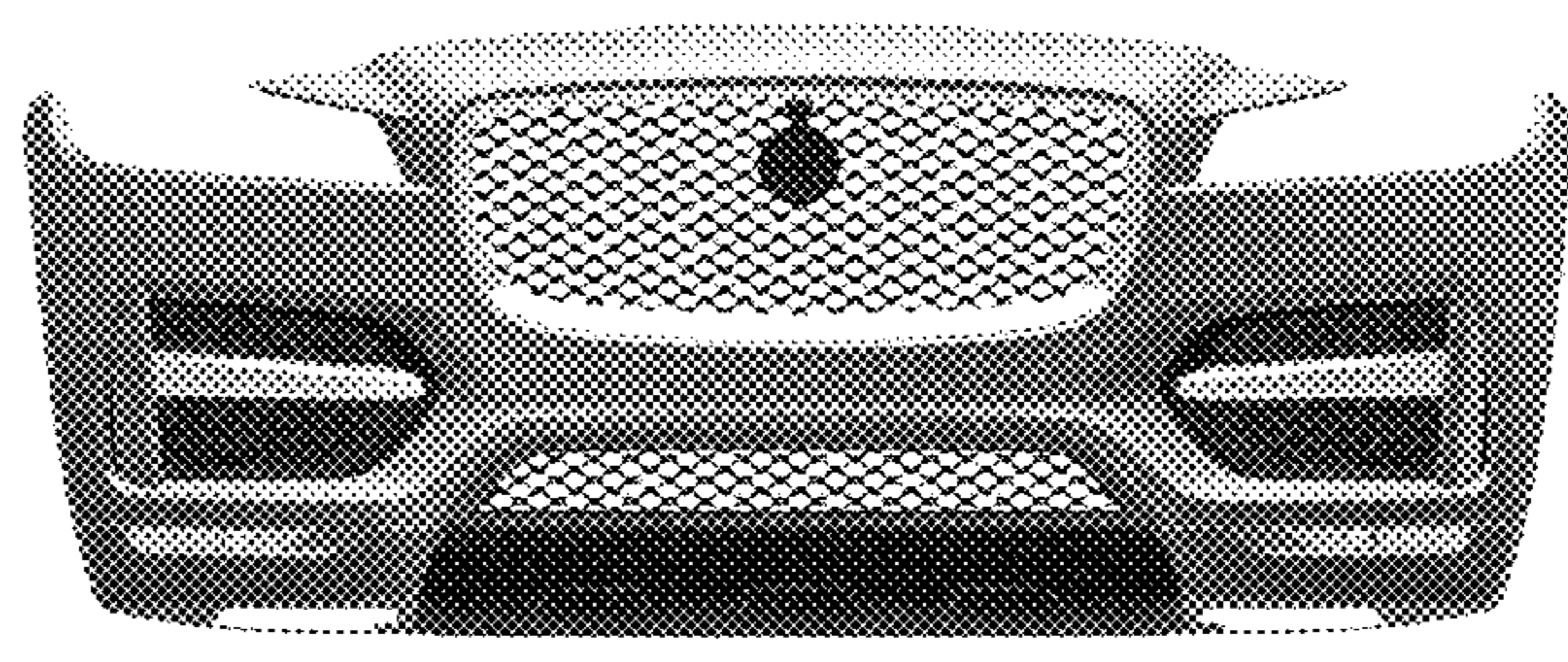
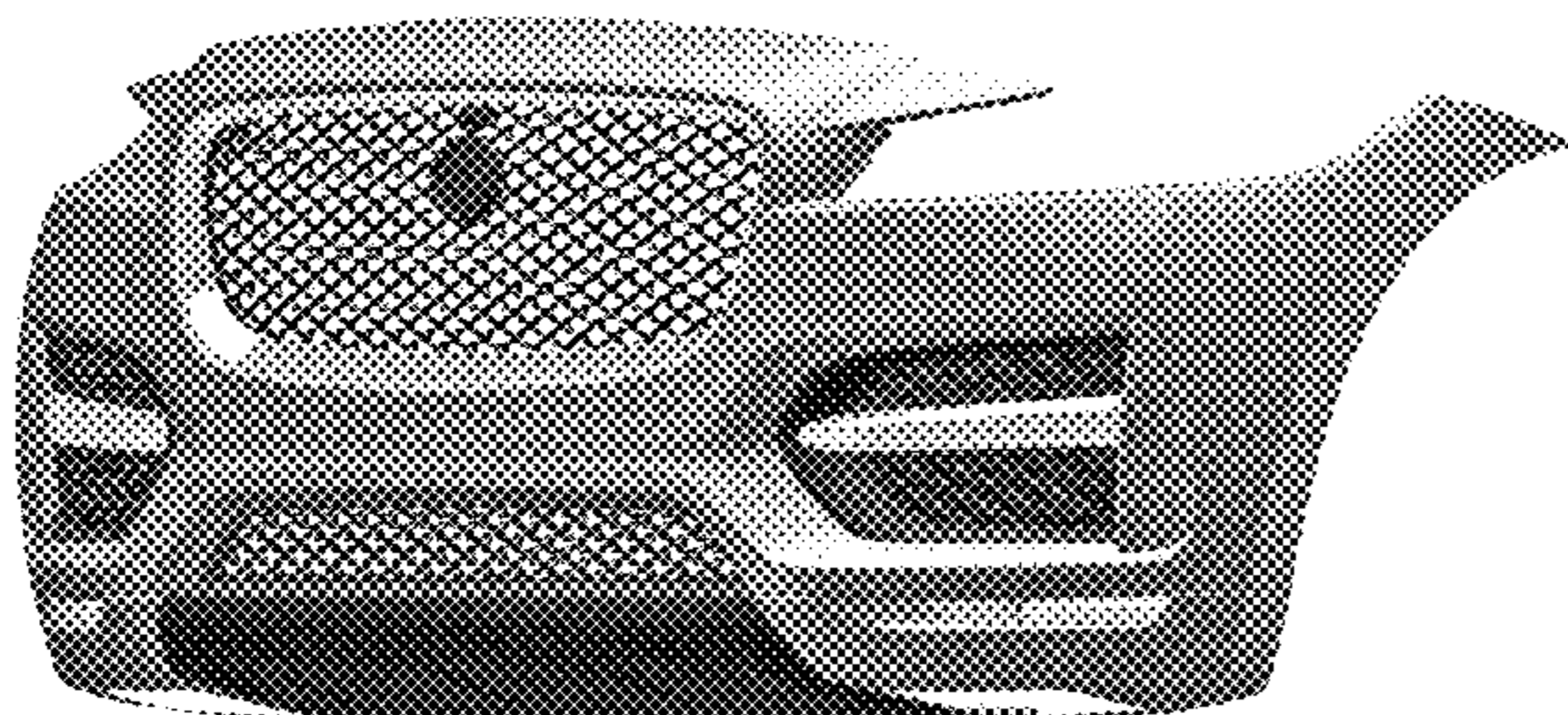
(57) **CLAIM**

The ornamental design for a front bumper, as shown and described.

DESCRIPTION

FIG. 1 is a right front quarter view of a front bumper for a vehicle according to the present invention.
 FIG. 2 is a left rear quarter view thereof.
 FIG. 3 is a front view thereof.
 FIG. 4 is a rear view thereof.
 FIG. 5 is a left side view thereof.
 FIG. 6 is a right side view thereof; and,
 FIG. 7 is a top view thereof.

1 Claim, 6 Drawing Sheets



(56)

References Cited

U.S. PATENT DOCUMENTS

D752,481 S *	3/2016	Frascella	D12/91
D753,557 S *	4/2016	Frascella	D12/169
D753,558 S *	4/2016	Hatton	D12/169
D753,564 S *	4/2016	Frascella	D12/169
D758,921 S *	6/2016	Hatton	D12/169
D779,396 S *	2/2017	Patel	D12/169
D784,215 S *	4/2017	Peat	D12/169
2006/0249961 A1 *	11/2006	Flotzinger	B60R 19/04 293/115
2007/0158962 A1 *	7/2007	Woodhouse	B60R 19/24 293/120

* cited by examiner

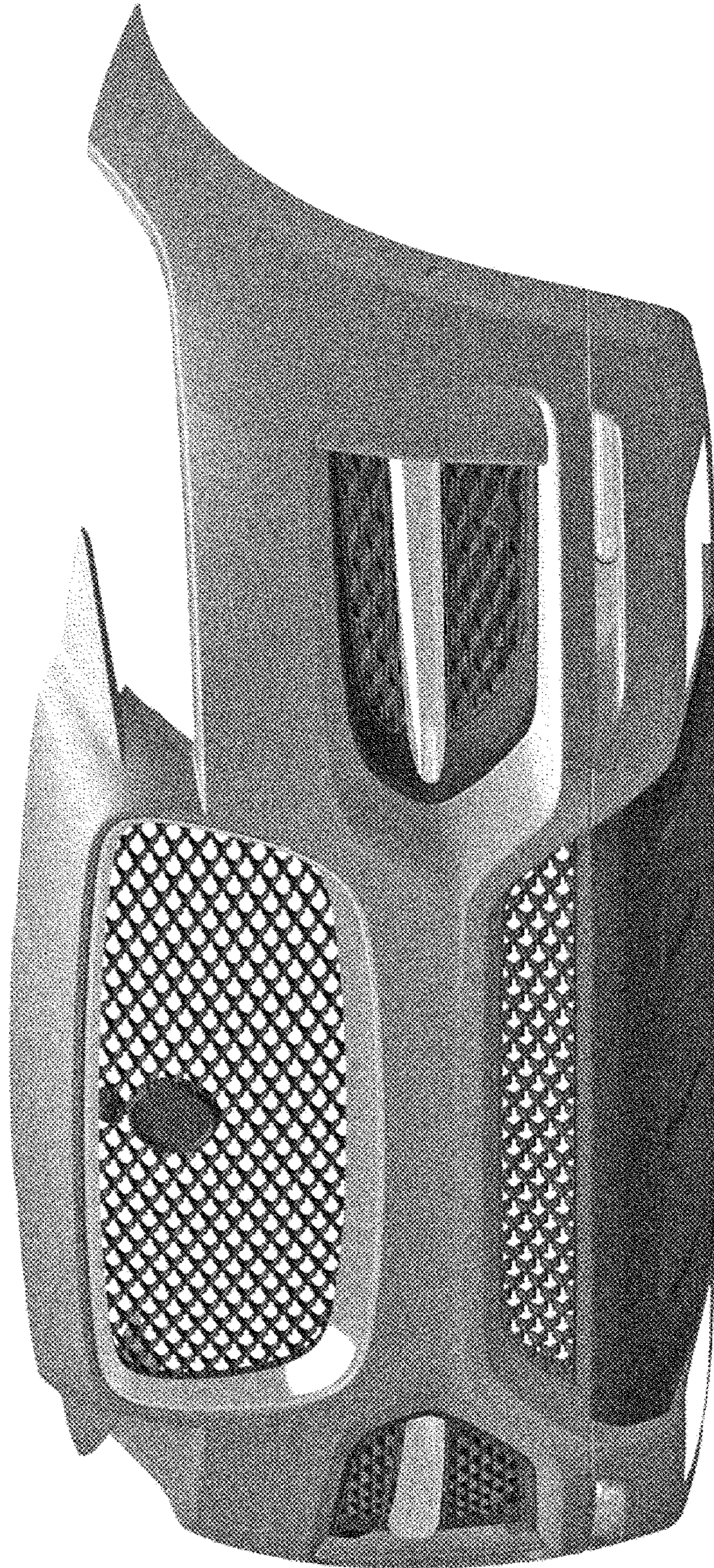


FIG. 1

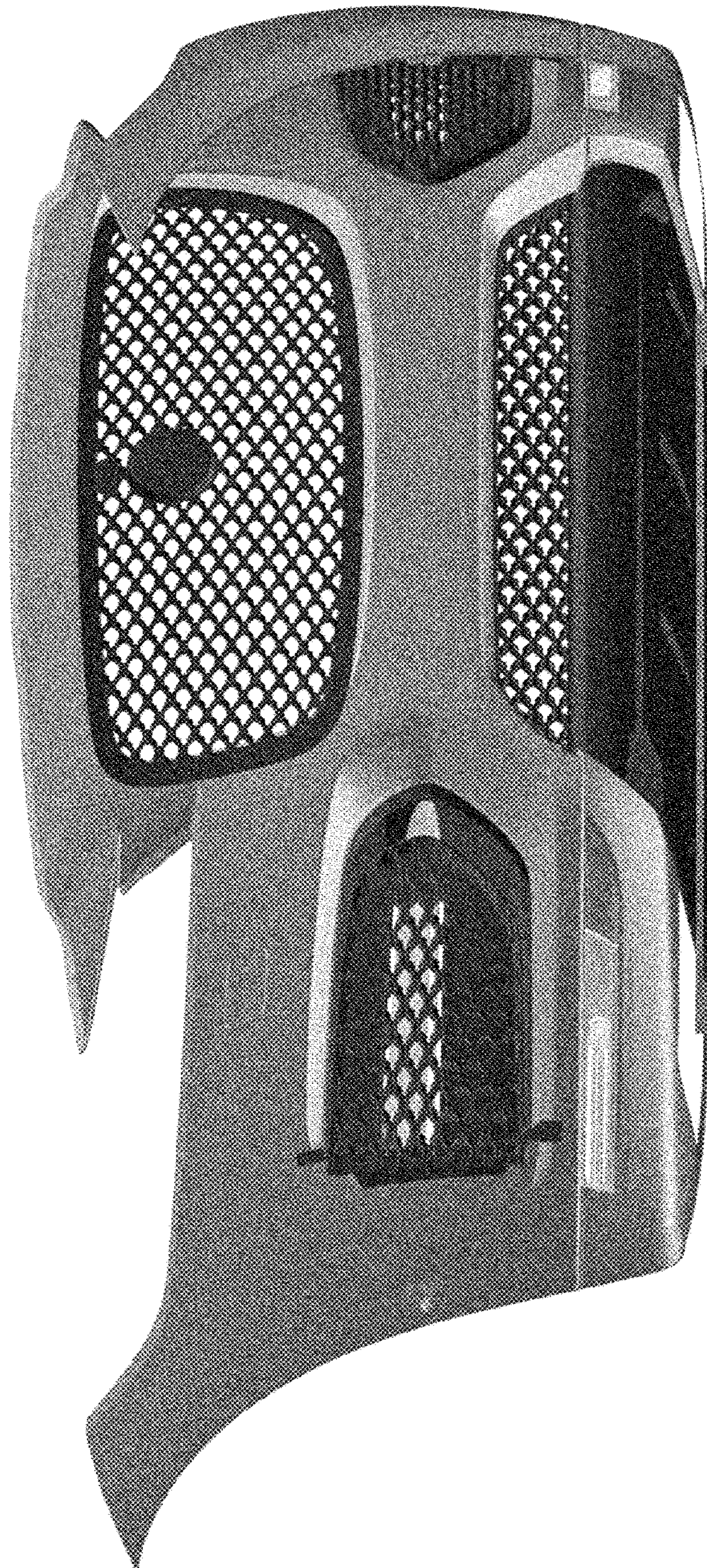


FIG. 2

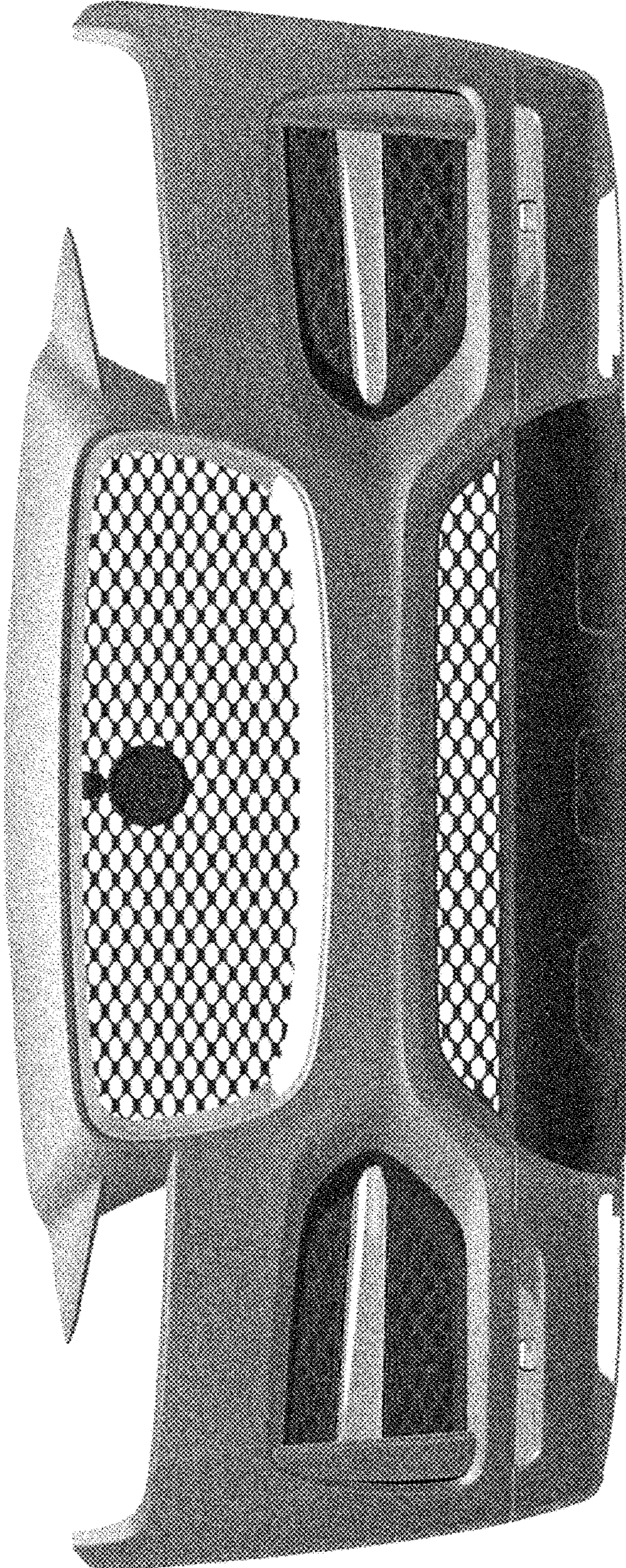


FIG. 3

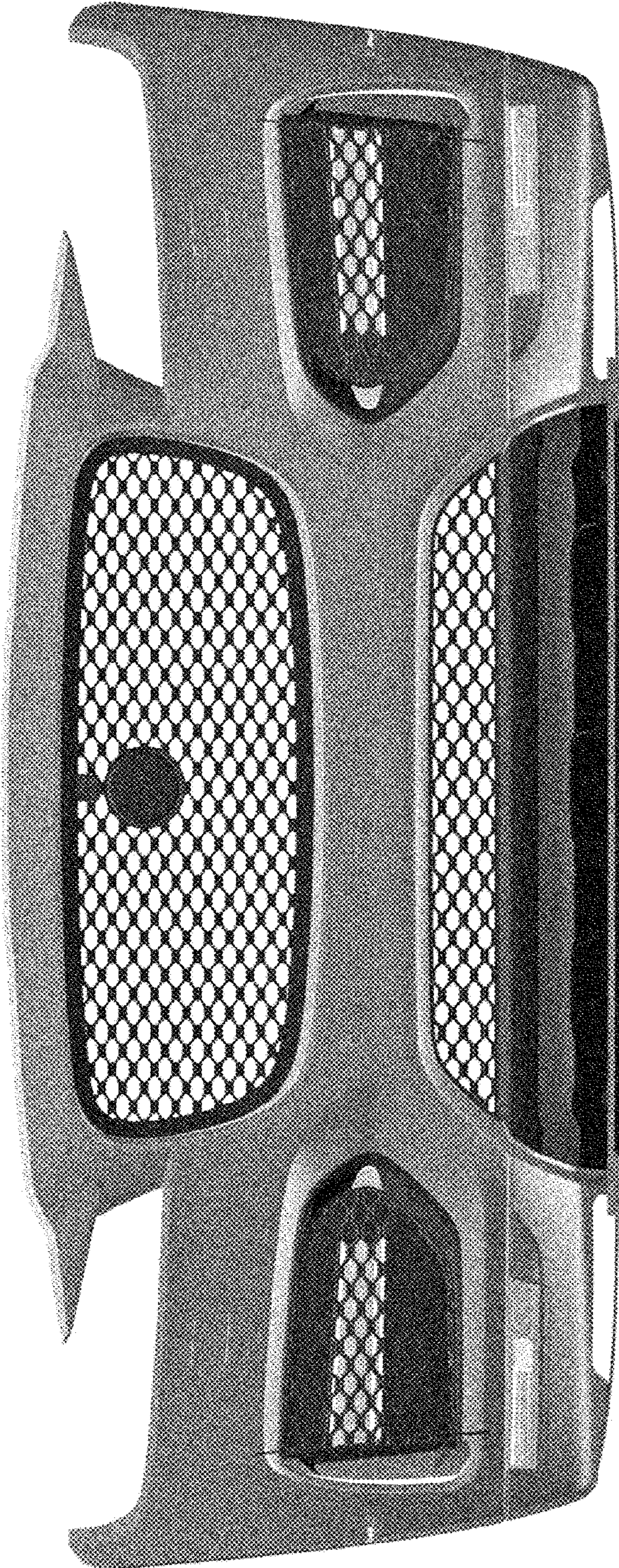


FIG. 4

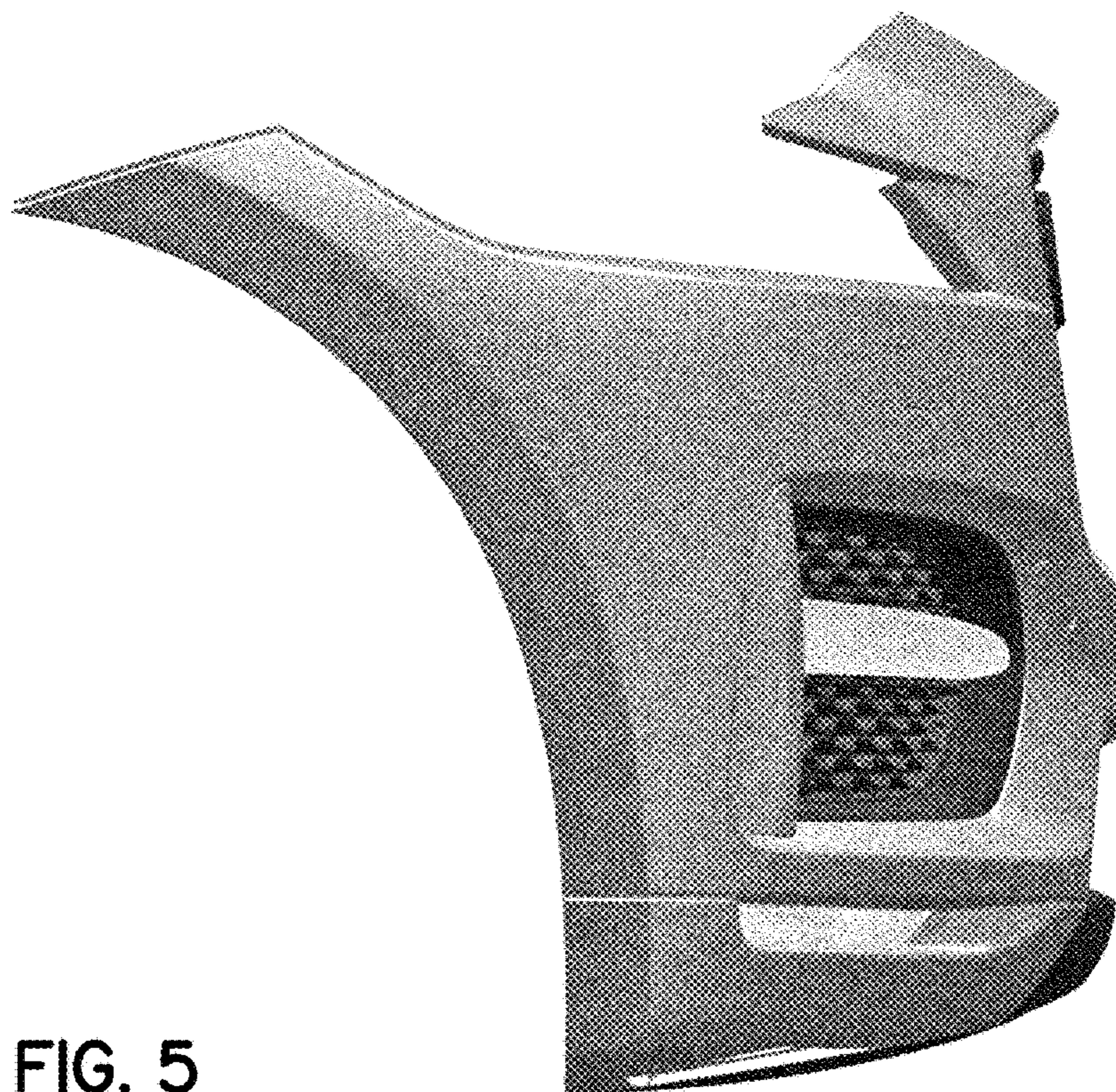


FIG. 5

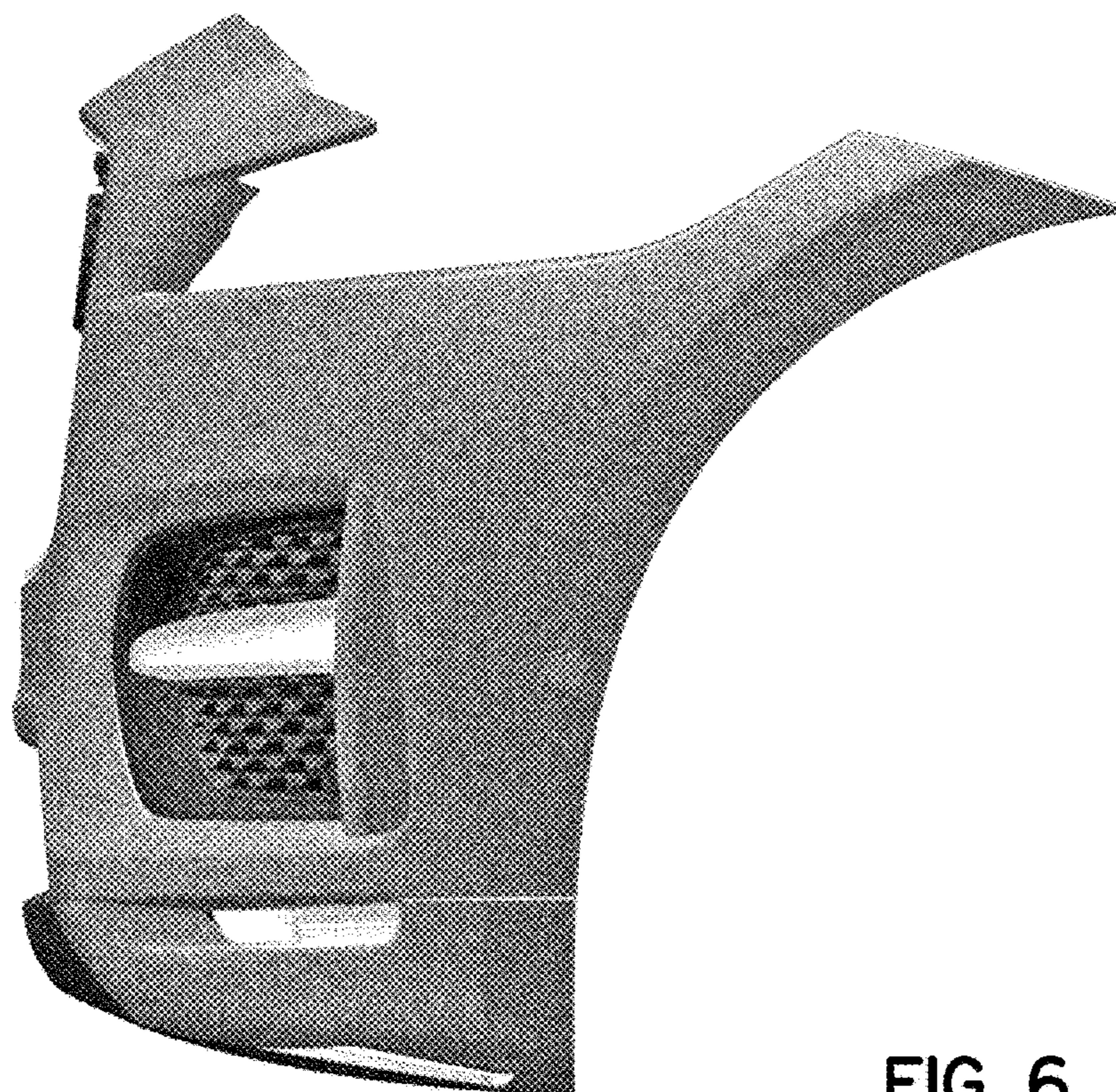


FIG. 6

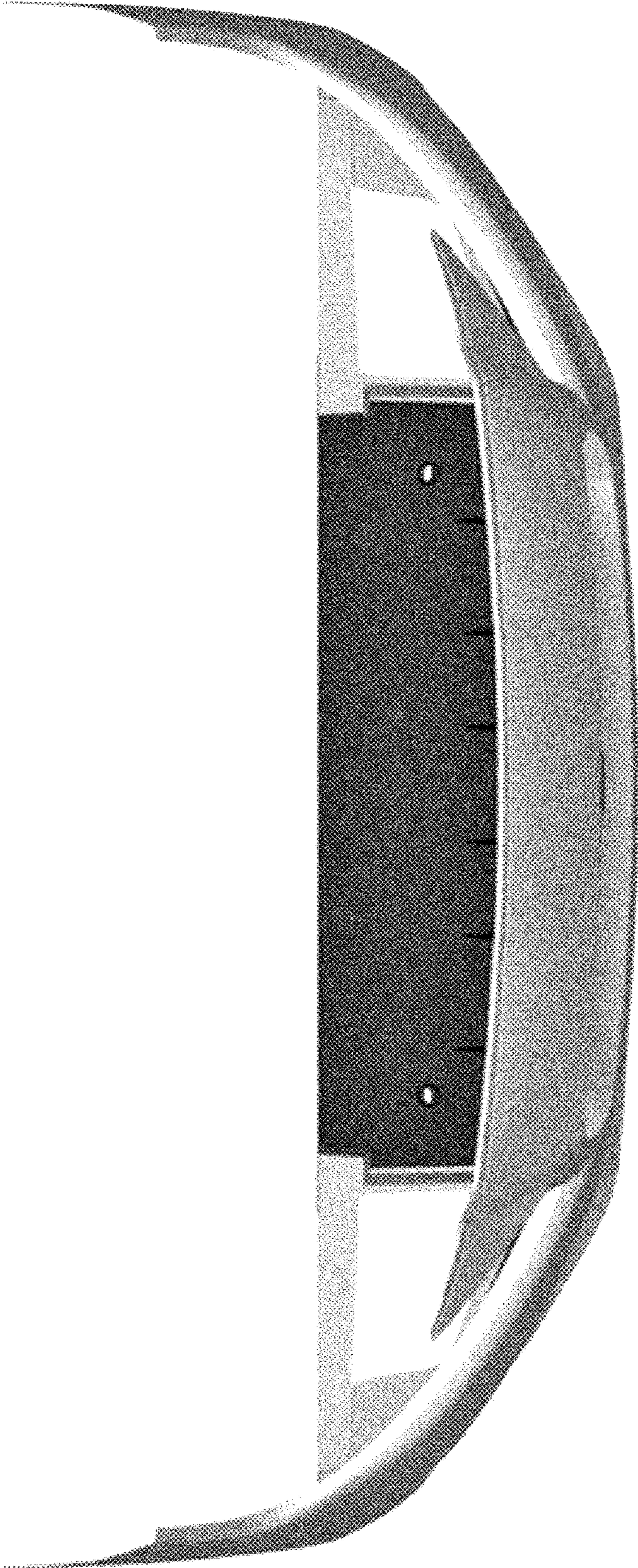


FIG. 7