



US00D820738S

(12) **United States Design Patent**
Suga et al.

(10) **Patent No.: US D820,738 S**
(45) **Date of Patent: ** Jun. 19, 2018**

- (54) **AUTOMOBILE**
- (71) Applicants: **Koichi Suga**, Toyota (JP); **Tsuneo Kanasugi**, Toyota (JP)
- (72) Inventors: **Koichi Suga**, Toyota (JP); **Tsuneo Kanasugi**, Toyota (JP)
- (73) Assignee: **TOYOTA JIDOSHA KABUSHIKI KAISHA** (JP)
- (**) Term: **15 Years**
- (21) Appl. No.: **29/587,184**
- (22) Filed: **Dec. 12, 2016**
- (30) **Foreign Application Priority Data**
Jun. 14, 2016 (JP) 2016-012655
- (51) **LOC (11) Cl.** **12-16**
- (52) **U.S. Cl.**
USPC **D12/164**
- (58) **Field of Classification Search**
USPC D12/86, 90-92, 88, 164; D21/421, 433, D21/434; 296/181.1, 181.5
CPC B62D 35/00; B62D 25/00; B62D 25/06; B62D 33/00
See application file for complete search history.

D779,393 S * 2/2017 Kim D12/164
D781,183 S * 3/2017 Suga D12/92
D806,609 S * 1/2018 Lee D12/92

OTHER PUBLICATIONS

Toyota, Lexus LF-FC (2015), NetCarShow, <https://www.netcarshow.com/lexus/2015-lf-fc_concept/>, available at least as early as Jan. 28, 2016.
Mazda, Mazda-6 (2016), NetCarShow, <<http://www.netcarshow.com/mazda/2016-6/>>, available at least as early as Jan. 28, 2016.
Jaguar, Jaguar XF (2016), NetCarShow, <<http://www.netcarshow.com/jaguar/2016-xf/>>, available as early as Jan. 28, 2016.

* cited by examiner

Primary Examiner — Melody N Brown
(74) *Attorney, Agent, or Firm* — Saidman DesignLaw Group, LLC

(57) **CLAIM**

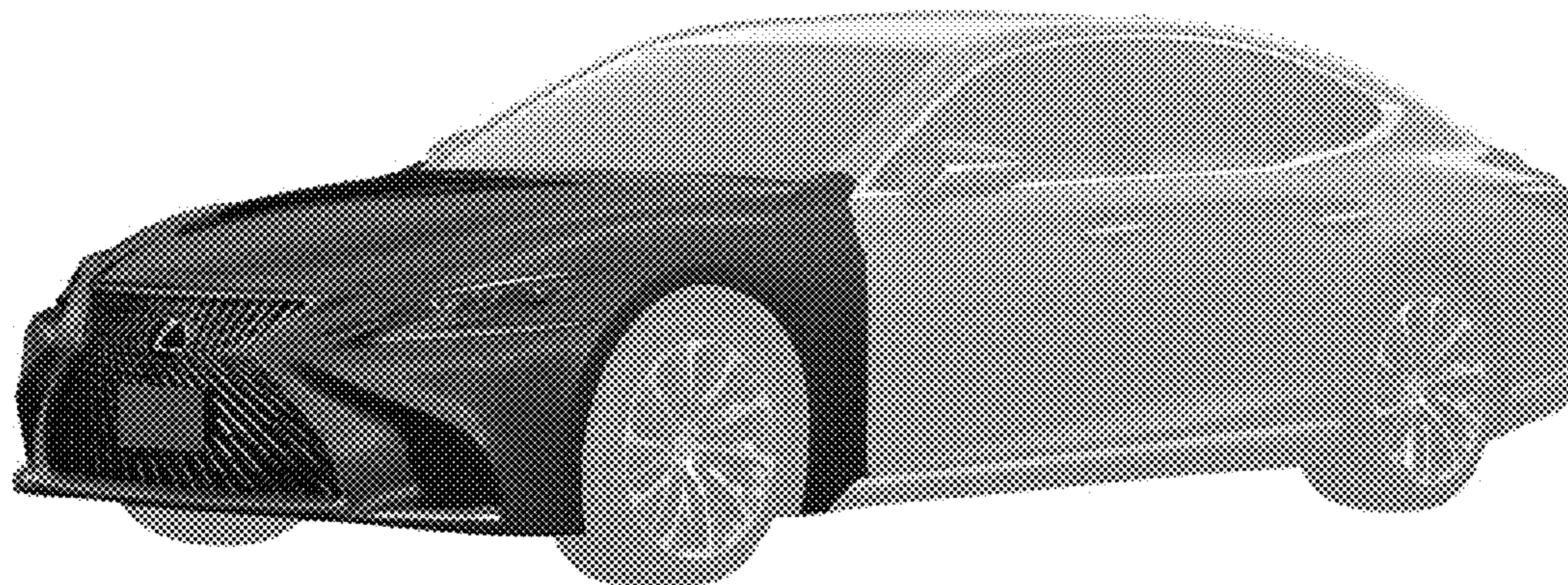
The ornamental design for an automobile, as shown and described.

DESCRIPTION

FIG. 1 is a right, front perspective view of an automobile showing our new design;
FIG. 2 is a right, rear perspective view thereof;
FIG. 3 is a left, front perspective view thereof;
FIG. 4 is a left, rear perspective view thereof;
FIG. 5 is a front view thereof;
FIG. 6 is a rear view thereof;
FIG. 7 is a top view thereof;
FIG. 8 is a right side view thereof; and,
FIG. 9 is a left side view thereof.
The claimed design is indicated by the relatively dark portions in the figures. The relatively light portions form no part of the claimed design.

1 Claim, 8 Drawing Sheets

- (56) **References Cited**
U.S. PATENT DOCUMENTS
D725,005 S * 3/2015 Takei D12/164
D733,012 S * 6/2015 Kim D12/164
D743,845 S * 11/2015 Hirai D12/92
D755,092 S * 5/2016 Isogai D12/164
D761,696 S * 7/2016 Kamiura D12/92
D762,144 S * 7/2016 Nagafuchi D12/92
D775,004 S * 12/2016 Fukui D12/164



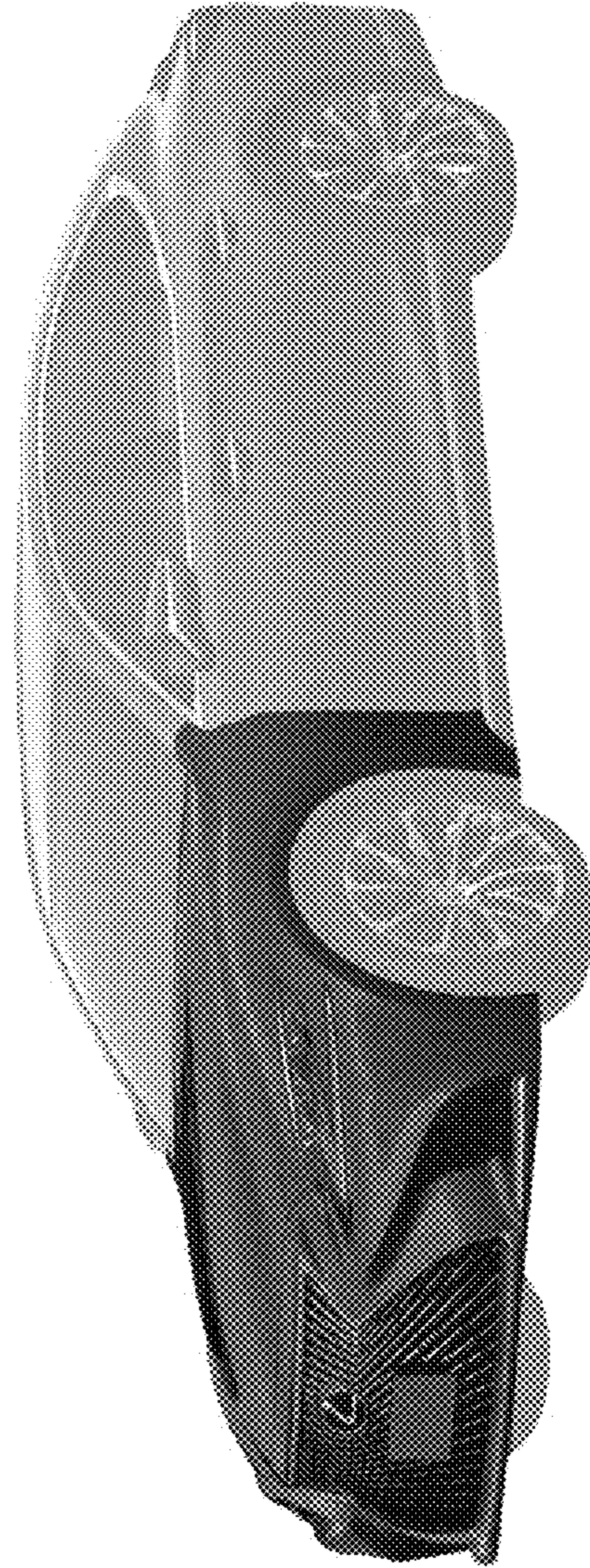


FIG. 1

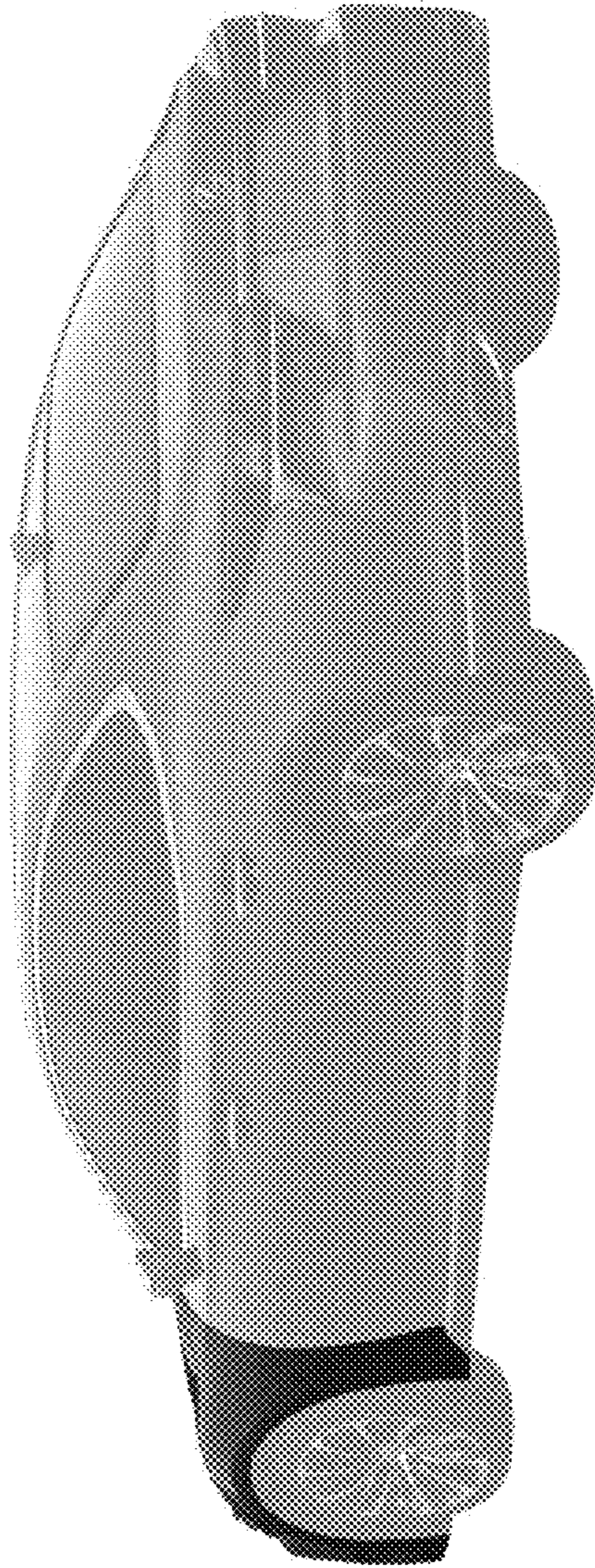


FIG. 2

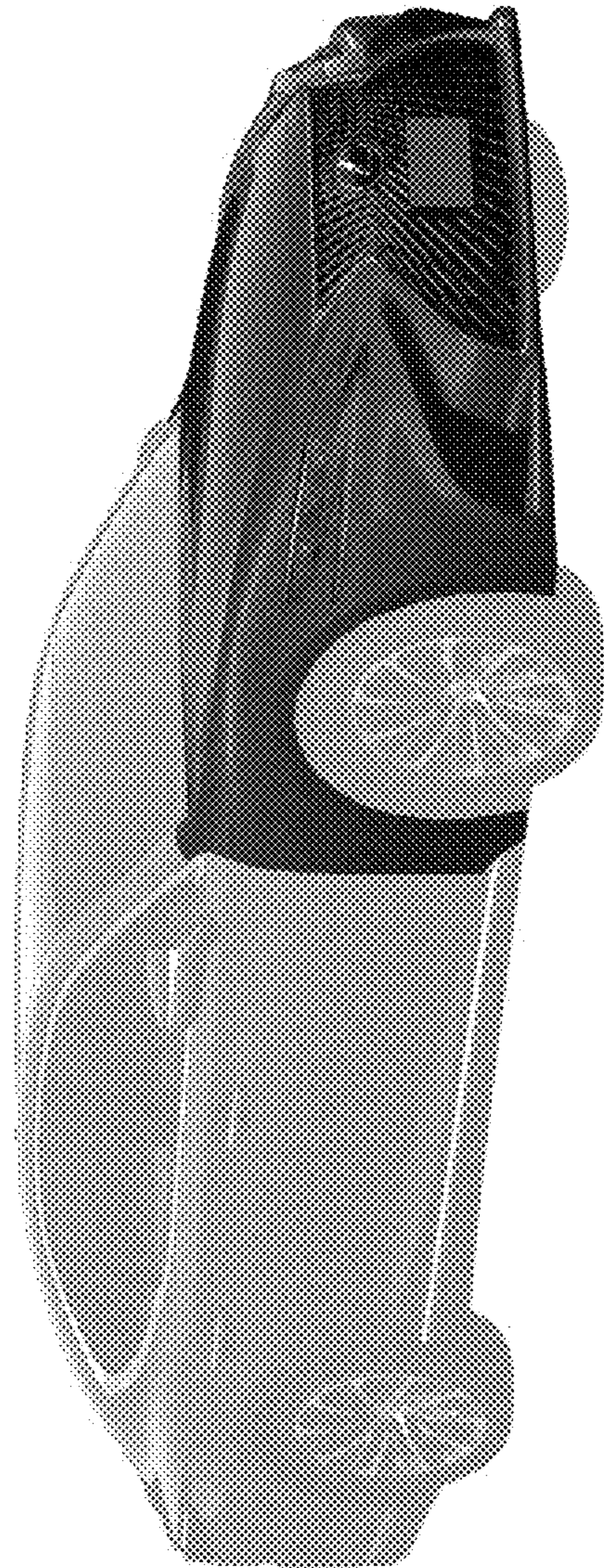


FIG. 3

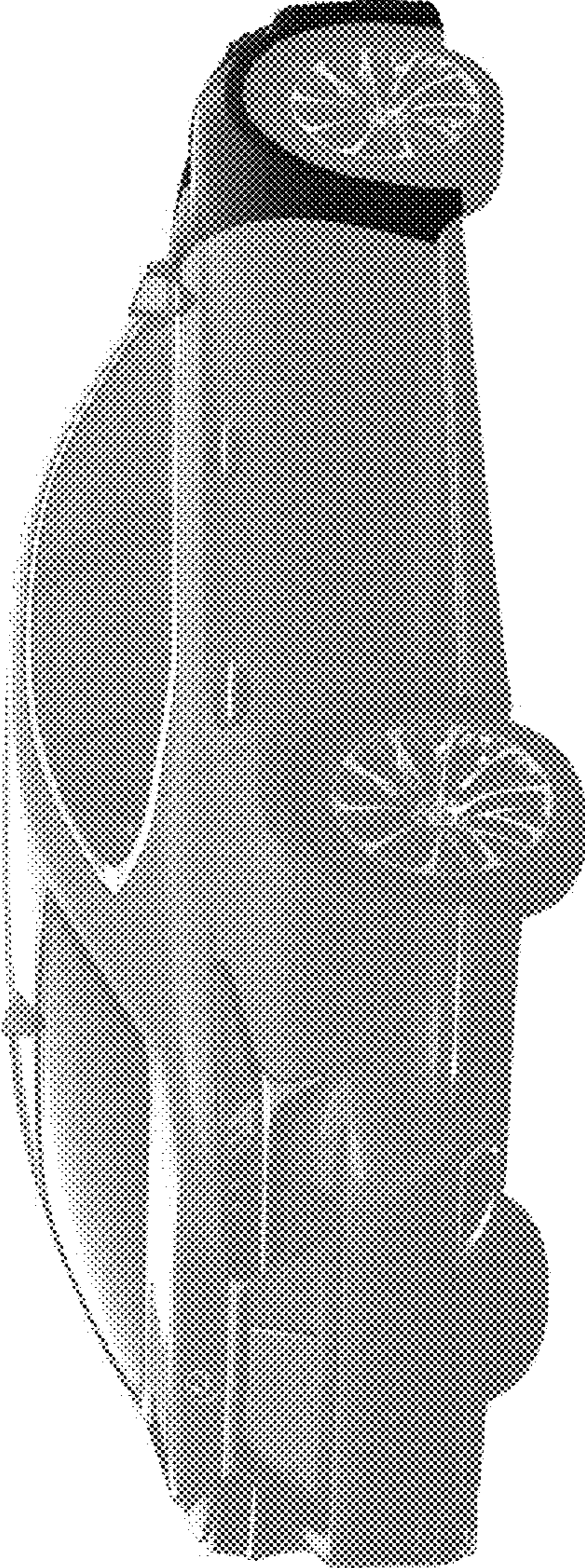


FIG. 4

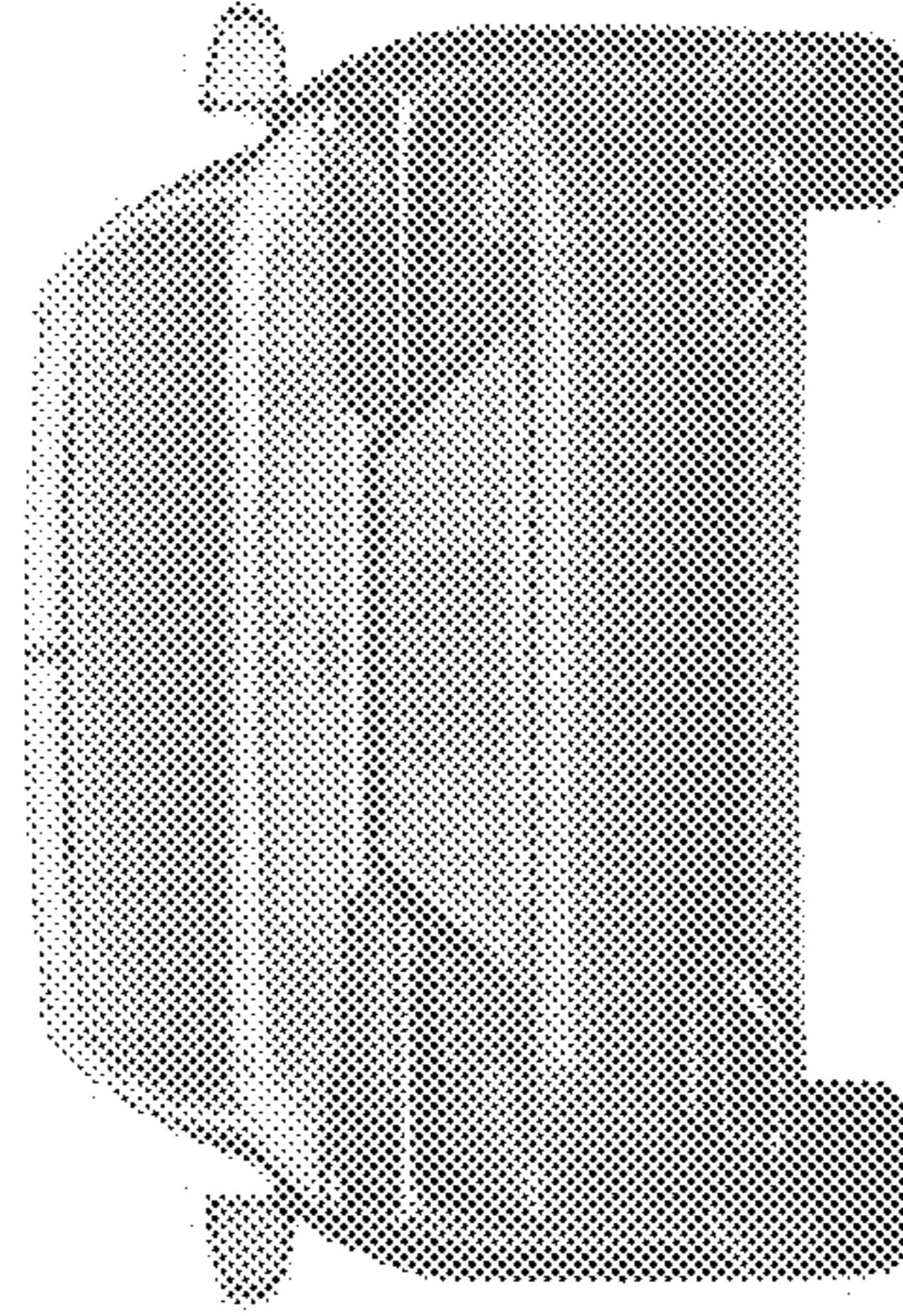


FIG. 6

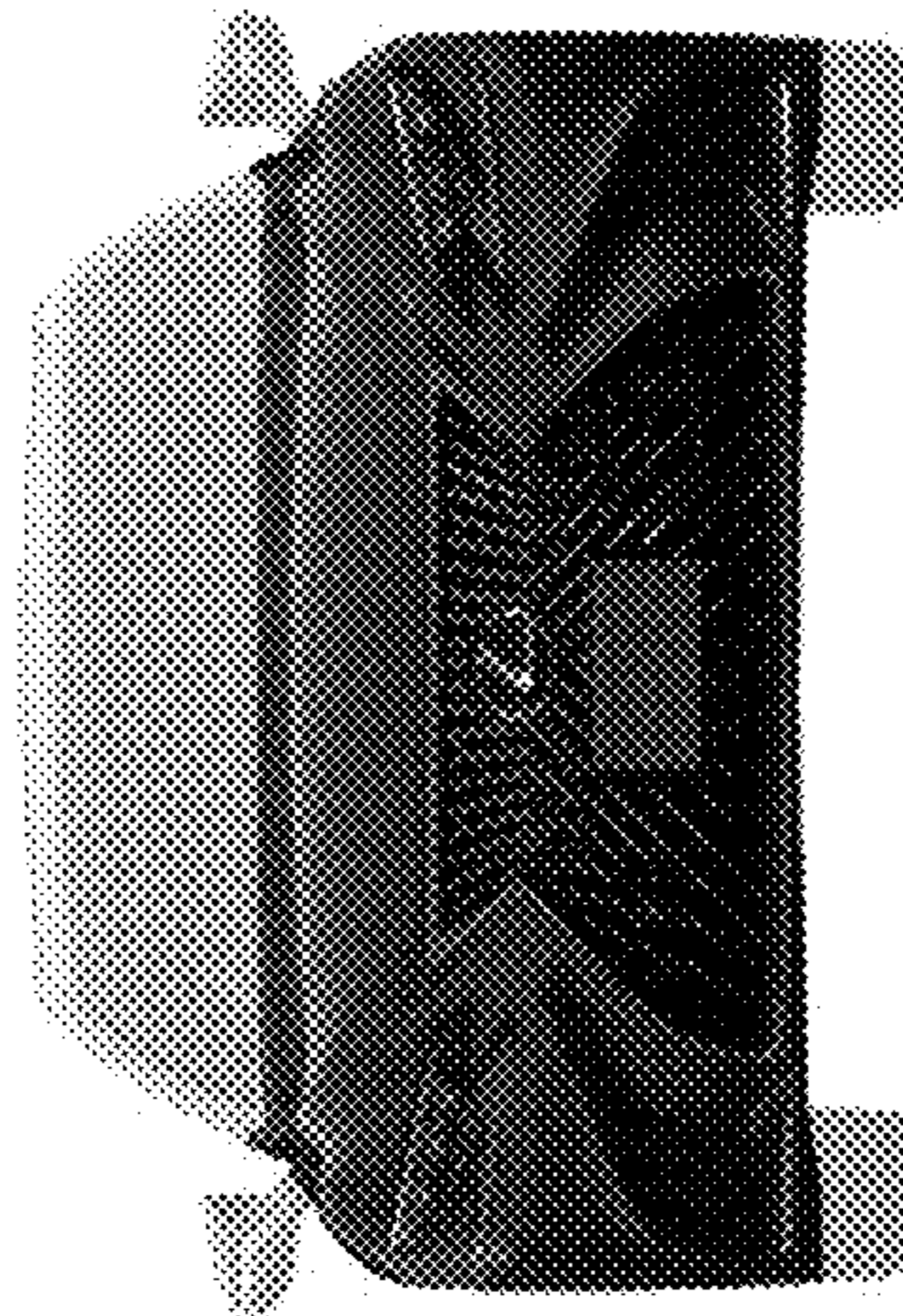


FIG. 5



FIG. 7

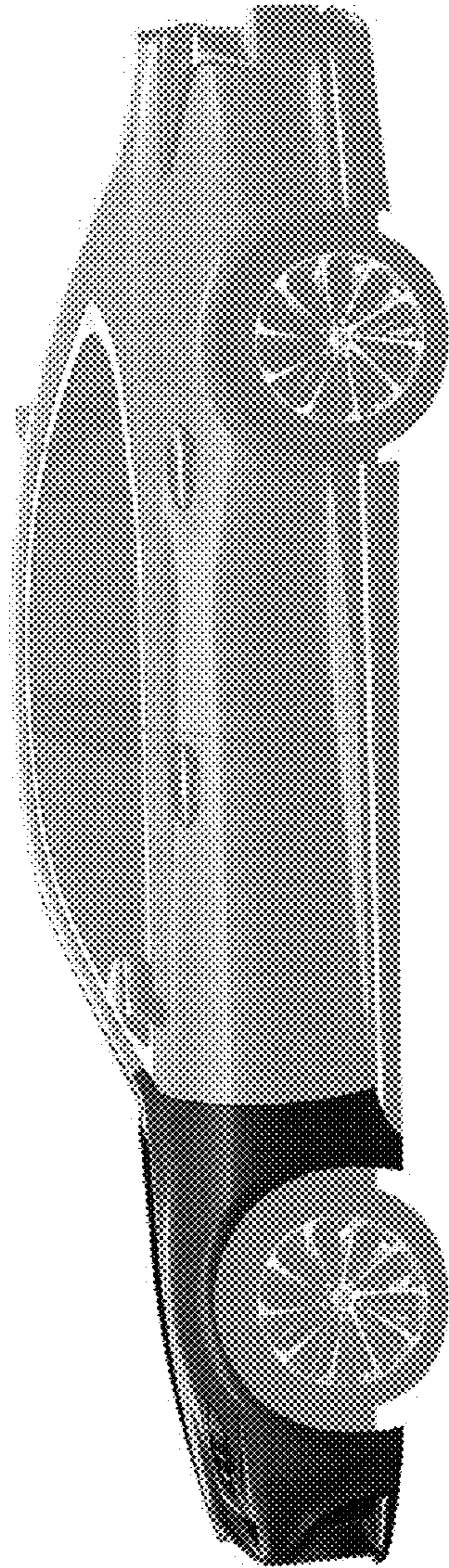


FIG. 8

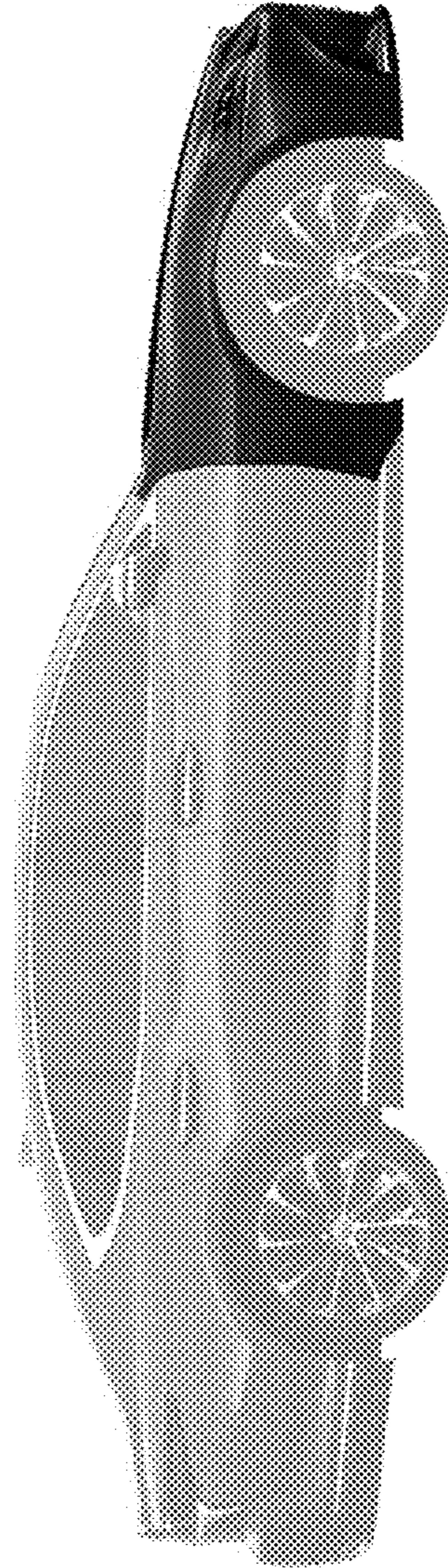


FIG. 9