



US00D820736S

(12) **United States Design Patent**  
**Väärsi**

(10) **Patent No.:** **US D820,736 S**  
(45) **Date of Patent:** **\*\* Jun. 19, 2018**

(54) **FRAME ASSEMBLY FOR VEHICLES**

(71) Applicant: **MILREM AS**, Tallinn (EE)

(72) Inventor: **Kuldar Väärsi**, Tallinn (EE)

(73) Assignee: **MILREM AS**, Tallinn (EE)

(\*\*) Term: **15 Years**

(21) Appl. No.: **35/502,814**

(22) Filed: **Feb. 22, 2017**

(80) **Hague Agreement Data**

Int. Filing Date: **Feb. 22, 2017**

Int. Reg. No.: **DM/095536**

Int. Reg. Date: **Feb. 22, 2017**

Int. Reg. Pub. Date: **Apr. 14, 2017**

(51) **LOC (11) Cl.** ..... **12-16**

(52) **U.S. Cl.**  
USPC ..... **D12/159**

(58) **Field of Classification Search**

USPC ..... D12/110–112, 117, 159; D15/33

CPC .. B62D 55/075; B62D 55/0655; B62D 55/12;

B62D 55/14; B62D 55/065; B62D

55/084; B62D 55/02; B62D 55/06; B62D

55/202; B62D 55/32; B62D 57/024;

B62D 63/025

See application file for complete search history.

(56) **References Cited**

**U.S. PATENT DOCUMENTS**

3,398,806 A \* 8/1968 Hendricks ..... B62D 55/062  
180/9.1

3,688,858 A \* 9/1972 Jespersen ..... B62D 55/06  
180/89.1

4,548,315 A \* 10/1985 Briggs ..... B65G 67/606  
198/304

5,799,743 A \* 9/1998 Robinson ..... B62D 55/125  
180/9.1

6,260,465 B1 \* 7/2001 Zonak ..... B62D 55/10  
305/120

D601,926 S \* 10/2009 Kingsbury ..... D12/110

D658,095 S \* 4/2012 Simon ..... D12/117

9,828,046 B2 \* 11/2017 Hellholm ..... B62D 55/0655

D807,784 S \* 1/2018 Vaarsi ..... D12/1

9,873,485 B2 \* 1/2018 Mangum ..... B62M 27/02

9,878,748 B2 \* 1/2018 Hellholm ..... B62D 55/084

9,878,750 B2 \* 1/2018 Leblanc ..... B62D 55/244

\* cited by examiner

*Primary Examiner* — Michael A. Pratt

(74) *Attorney, Agent, or Firm* — Christopher M. Scherer;  
DeWitt Ross & Stevens S.C.

(57) **CLAIM**

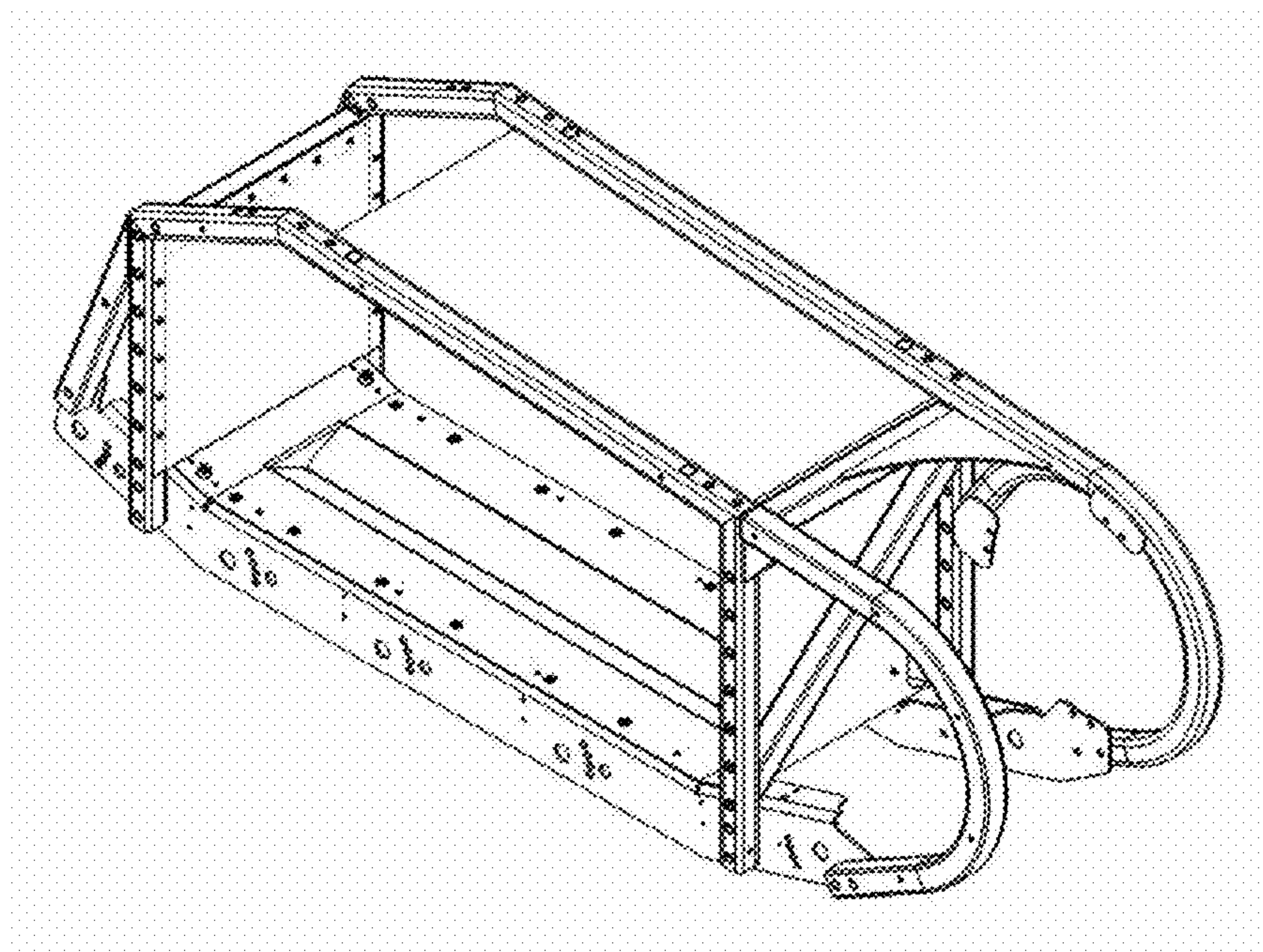
The ornamental design for a frame assembly for vehicles, as shown and described.

**DESCRIPTION**

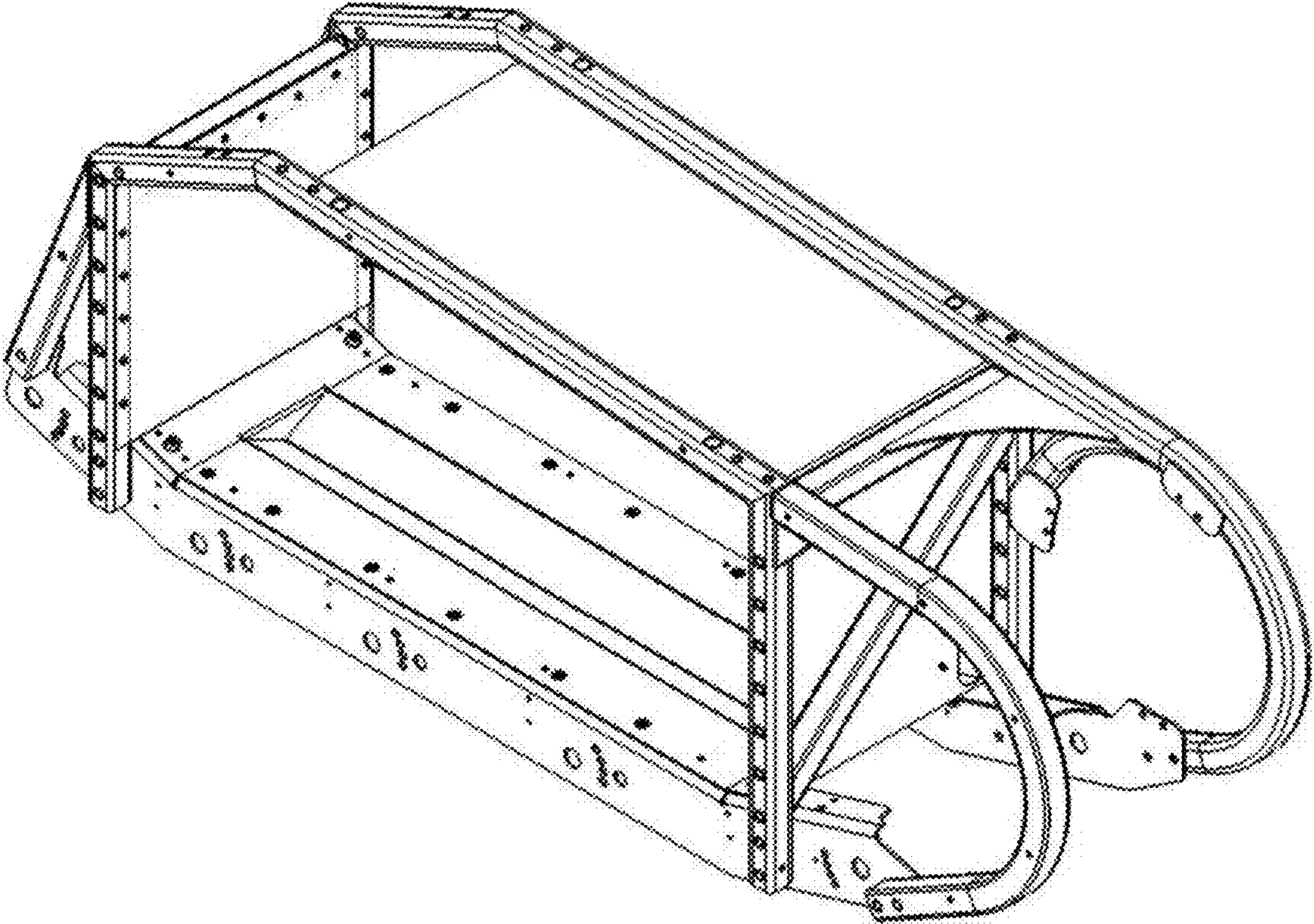
1. Frame assembly for vehicles

Figure 1.1 is a perspective view of a frame assembly for vehicles; figure 1.2 is a left view of a frame assembly for vehicles; figure 1.3 is a right view of a frame assembly for vehicles; figure 1.4 is a front view of a frame assembly for vehicles; figure 1.5 is a back view of a frame assembly for vehicles; figure 1.6 is a top view of a frame assembly for vehicles; figure 1.7 is a bottom view of a frame assembly for vehicles.

**1 Claim, 7 Drawing Sheets**

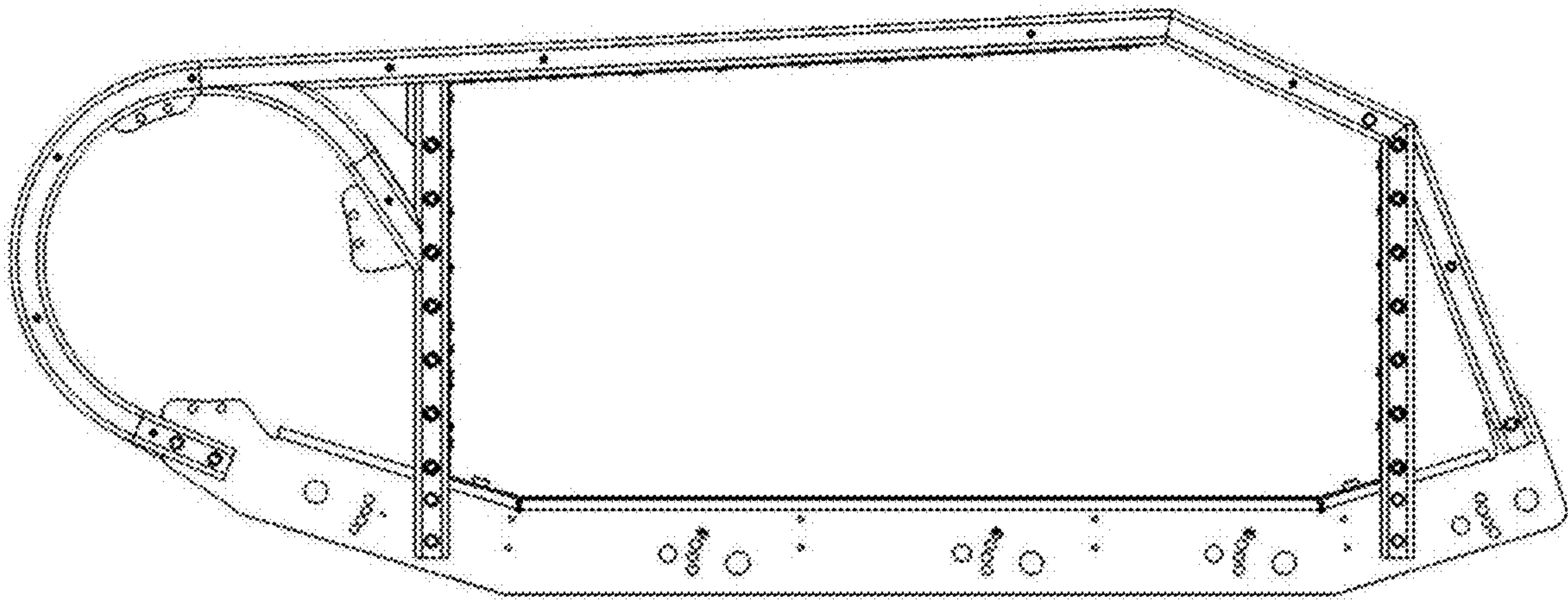


1.1

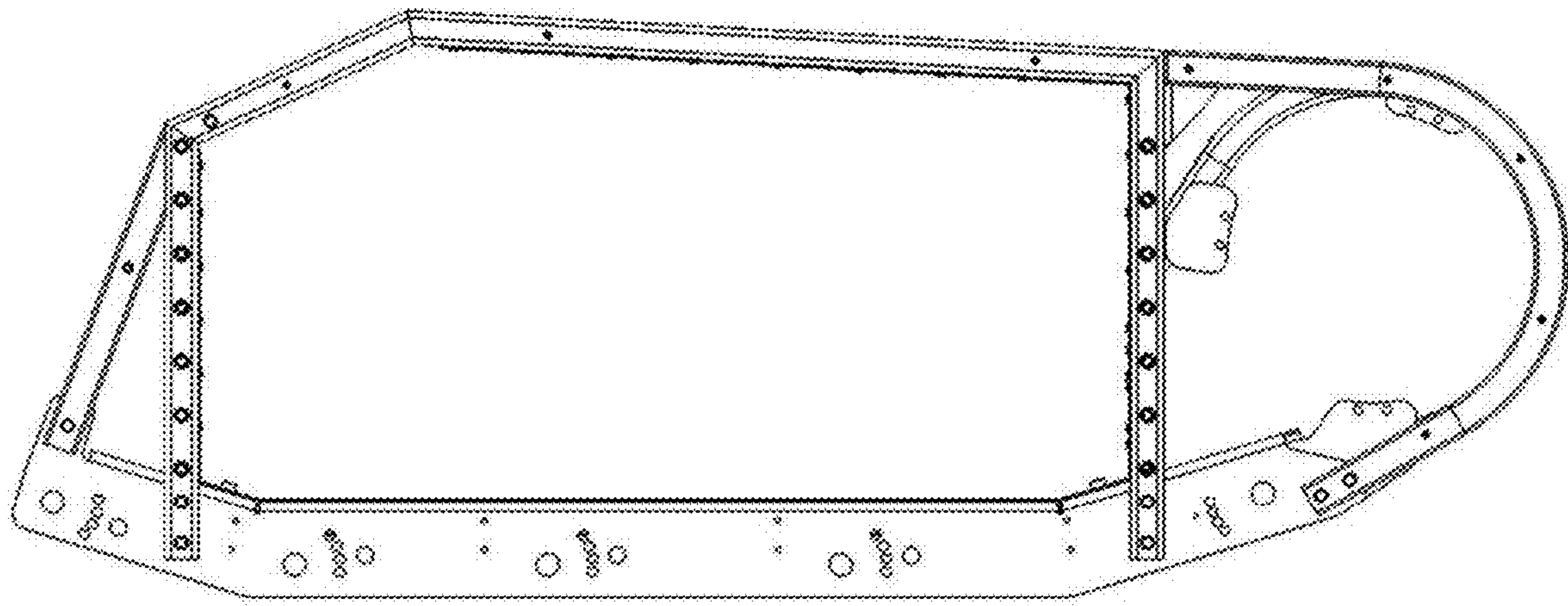




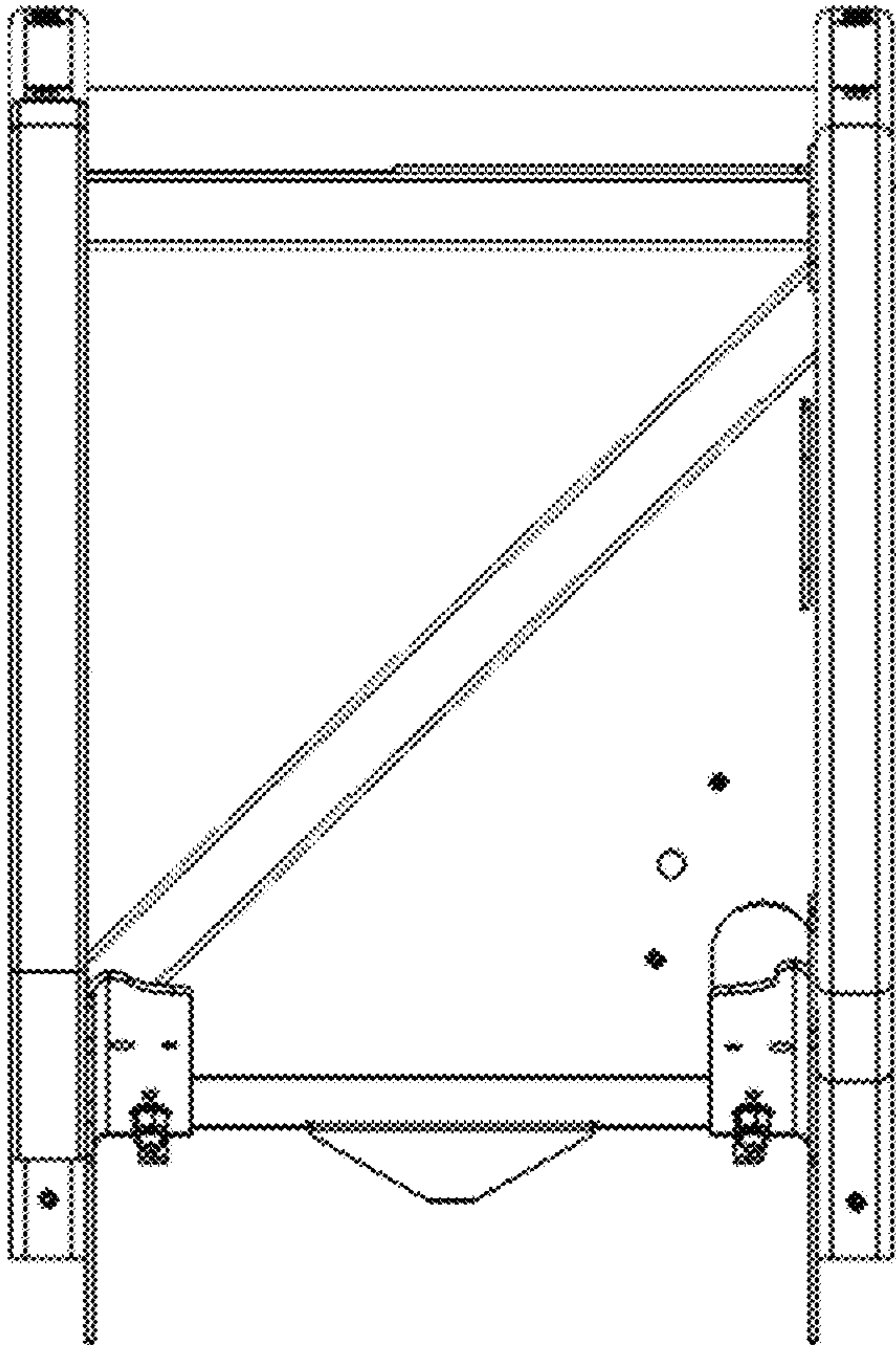
1.2



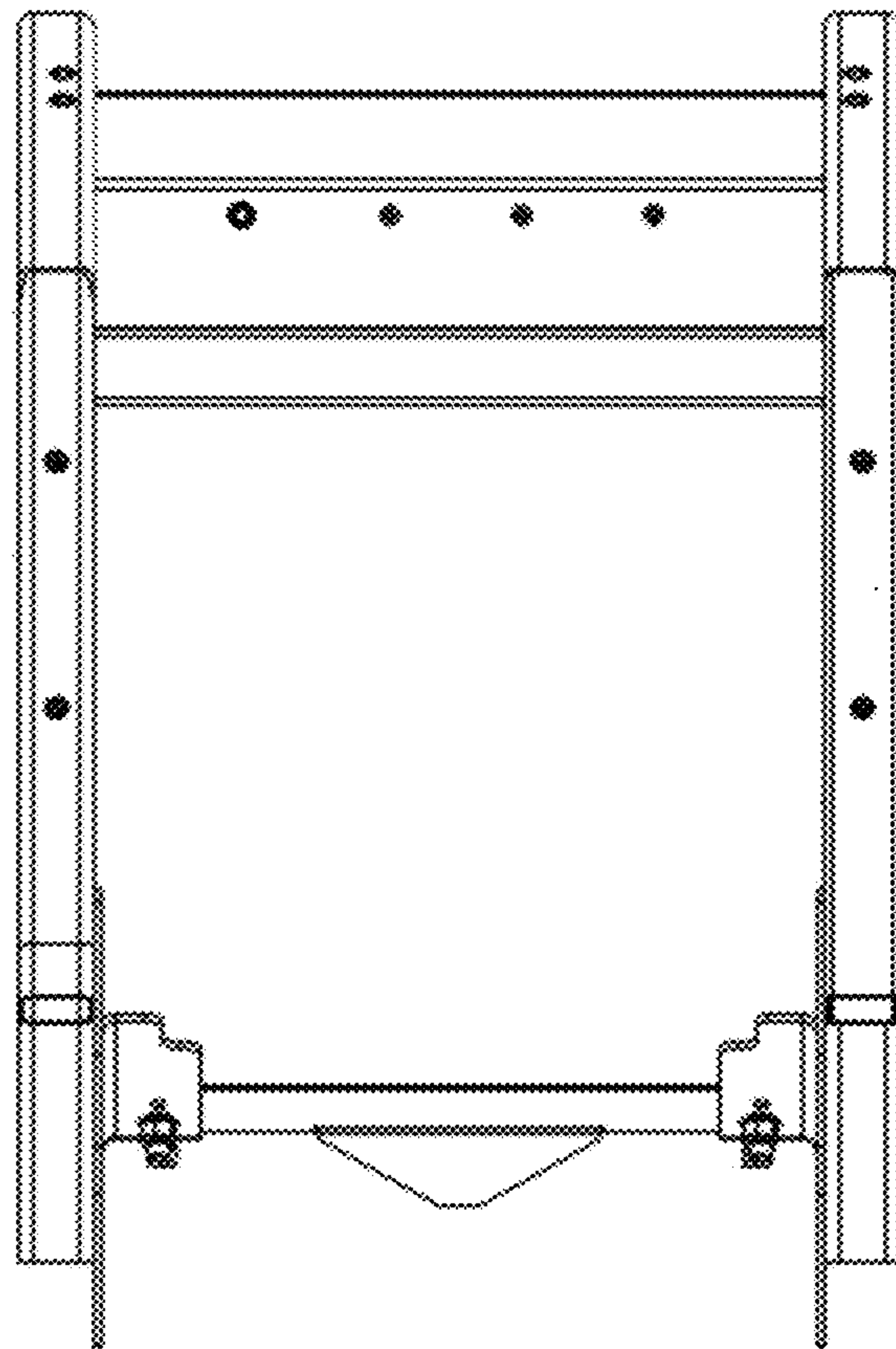
1.3



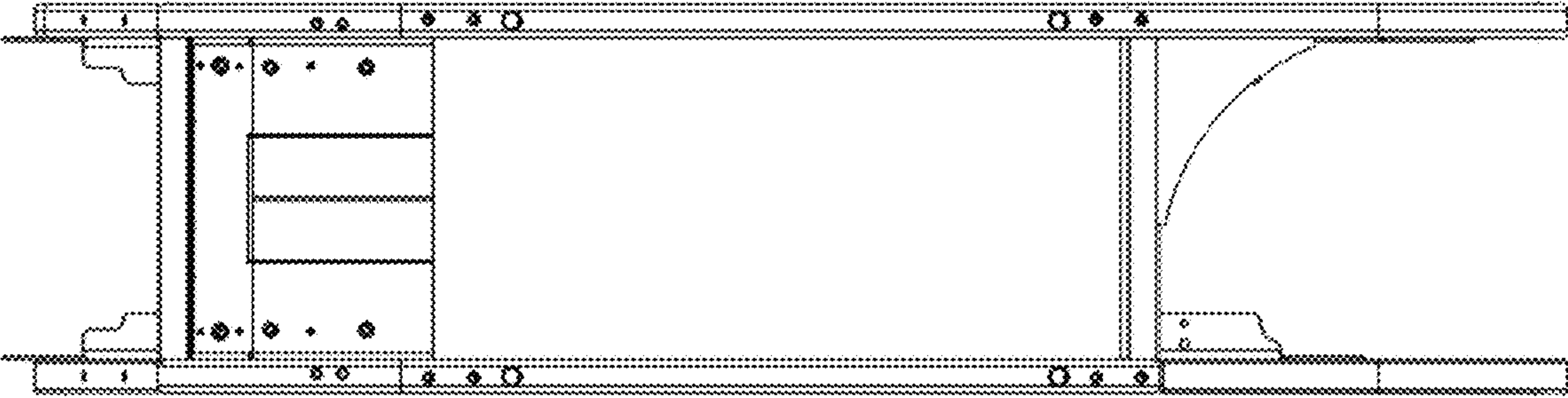
1.4



1.5



1.6



1.7

