



US00D820734S

(12) **United States Design Patent** (10) **Patent No.:** **US D820,734 S**
McCullough et al. (45) **Date of Patent:** **** Jun. 19, 2018**

(54) **MOBILITY VEHICLE**

(71) Applicant: **Pride Mobility Products Corporation**,
Exeter, PA (US)

(72) Inventors: **Robert McCullough**, West Wyoming,
PA (US); **Kip Alder**, Harding, PA (US)

(73) Assignee: **PRIDE MOBILITY PRODUCTS**
CORPORATION, Exeter, PA (US)

(**) Term: **15 Years**

(21) Appl. No.: **29/607,888**

(22) Filed: **Jun. 16, 2017**

(51) **LOC (11) Cl.** **12-12**

(52) **U.S. Cl.**
USPC **D12/128**

(58) **Field of Classification Search**
USPC D12/128-133
CPC A61G 5/04; A61G 5/041-5/047; A61G
2005/048

See application file for complete search history.

(56) **References Cited**

U.S. PATENT DOCUMENTS

5,171,055	A	*	12/1992	Hutchison	B60N 2/01508 248/429
D401,190	S	*	11/1998	Krause	D12/128
D409,121	S	*	5/1999	Imai	D12/131
D454,814	S	*	3/2002	Ou	D12/128
D508,664	S	*	8/2005	Armstrong	D12/128
D526,938	S	*	8/2006	Nagel	D12/128
D530,650	S	*	10/2006	Azuma	D12/131
D561,651	S	*	2/2008	Yamagishi	D12/131
D608,255	S	*	1/2010	Arnell	D12/132

OTHER PUBLICATIONS

Revo Brochure, <http://www.a1mobility.co.uk/uploaded/pride/pride-revo.jpg> dated Mar. 23, 2009, downloaded Aug. 10, 2017.

* cited by examiner

Primary Examiner — Charles D Hanson

(74) *Attorney, Agent, or Firm* — Morgan, Lewis & Bockius LLP

(57) **CLAIM**

The ornamental design for a mobility vehicle, as shown and described.

DESCRIPTION

FIG. 1 is a front perspective view of a mobility vehicle showing our new design;

FIG. 2 is a rear perspective view of a mobility vehicle shown in FIG. 1;

FIG. 3 is a front elevational view of the mobility vehicle shown in FIG. 1;

FIG. 4 is a rear elevational view of the mobility vehicle shown in FIG. 1;

FIG. 5 is a left-side elevational view of the mobility vehicle shown in FIG. 1;

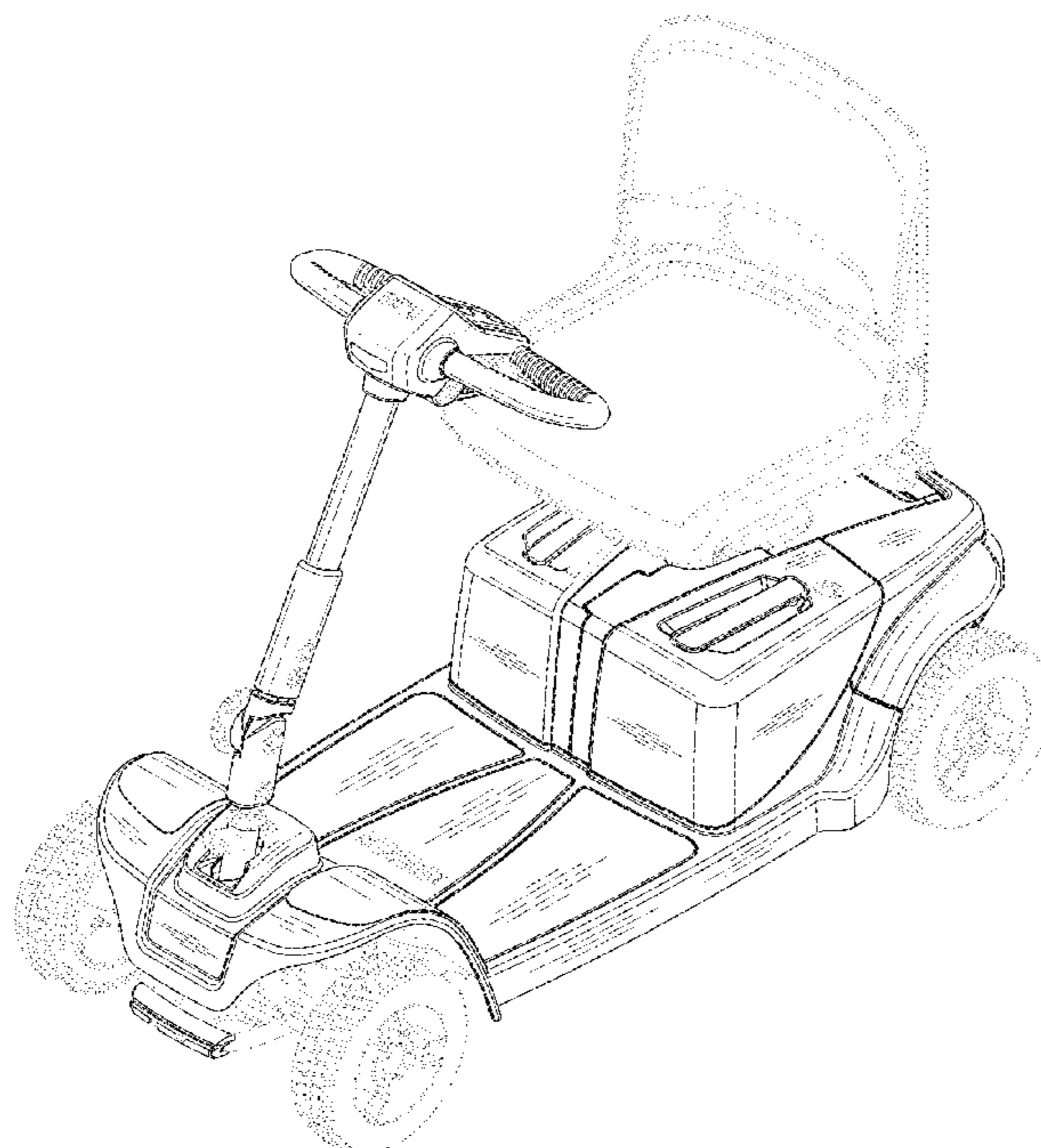
FIG. 6 is a right-side elevational view of the mobility vehicle shown in FIG. 1;

FIG. 7 is a top plan view of the mobility vehicle shown in FIG. 1; and,

FIG. 8 is a bottom plan view of the mobility vehicle shown in FIG. 1.

The broken lines shown in the drawings represent portions of the mobility vehicle that form no part of the claimed design.

1 Claim, 8 Drawing Sheets



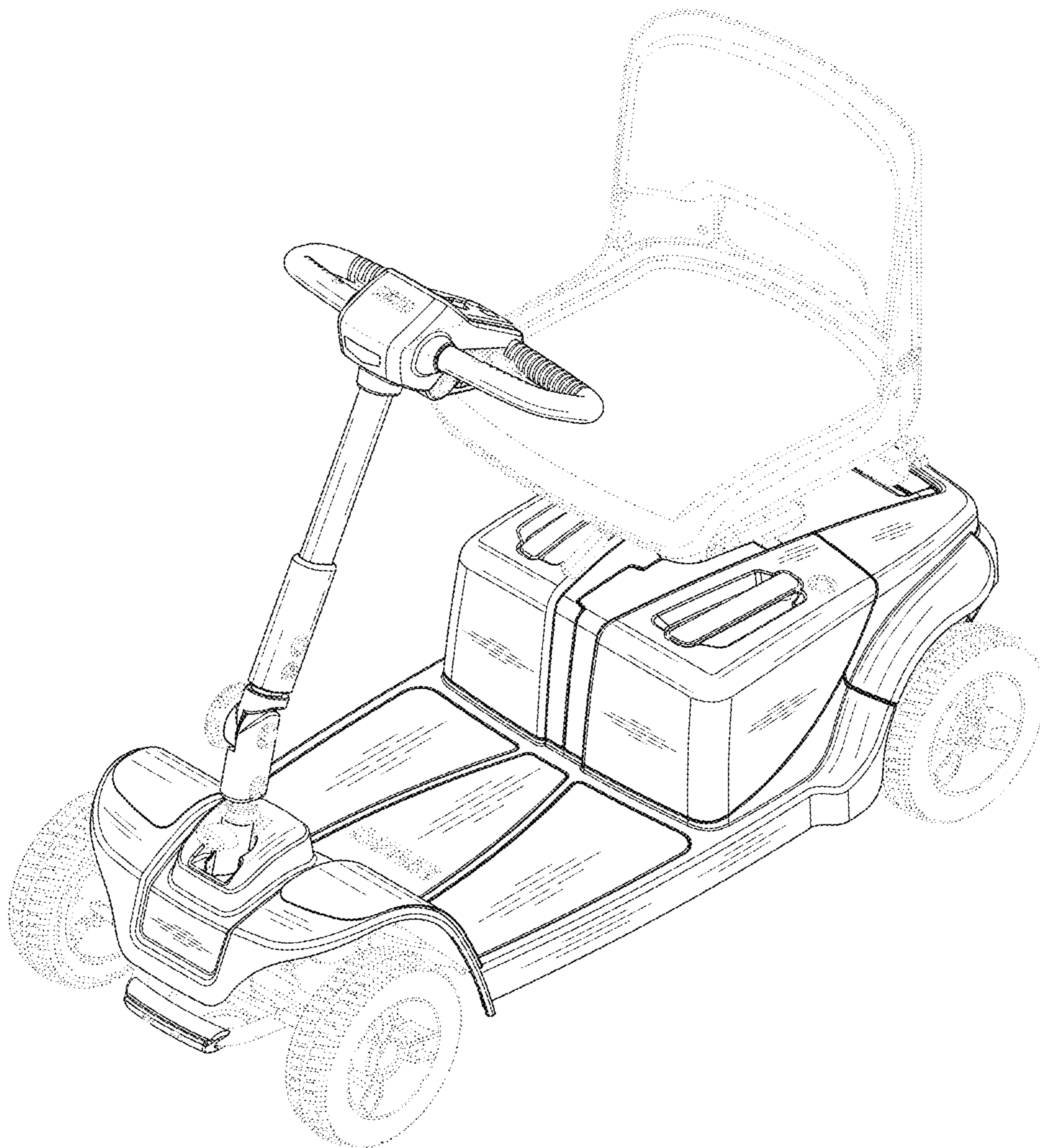


FIG. 1

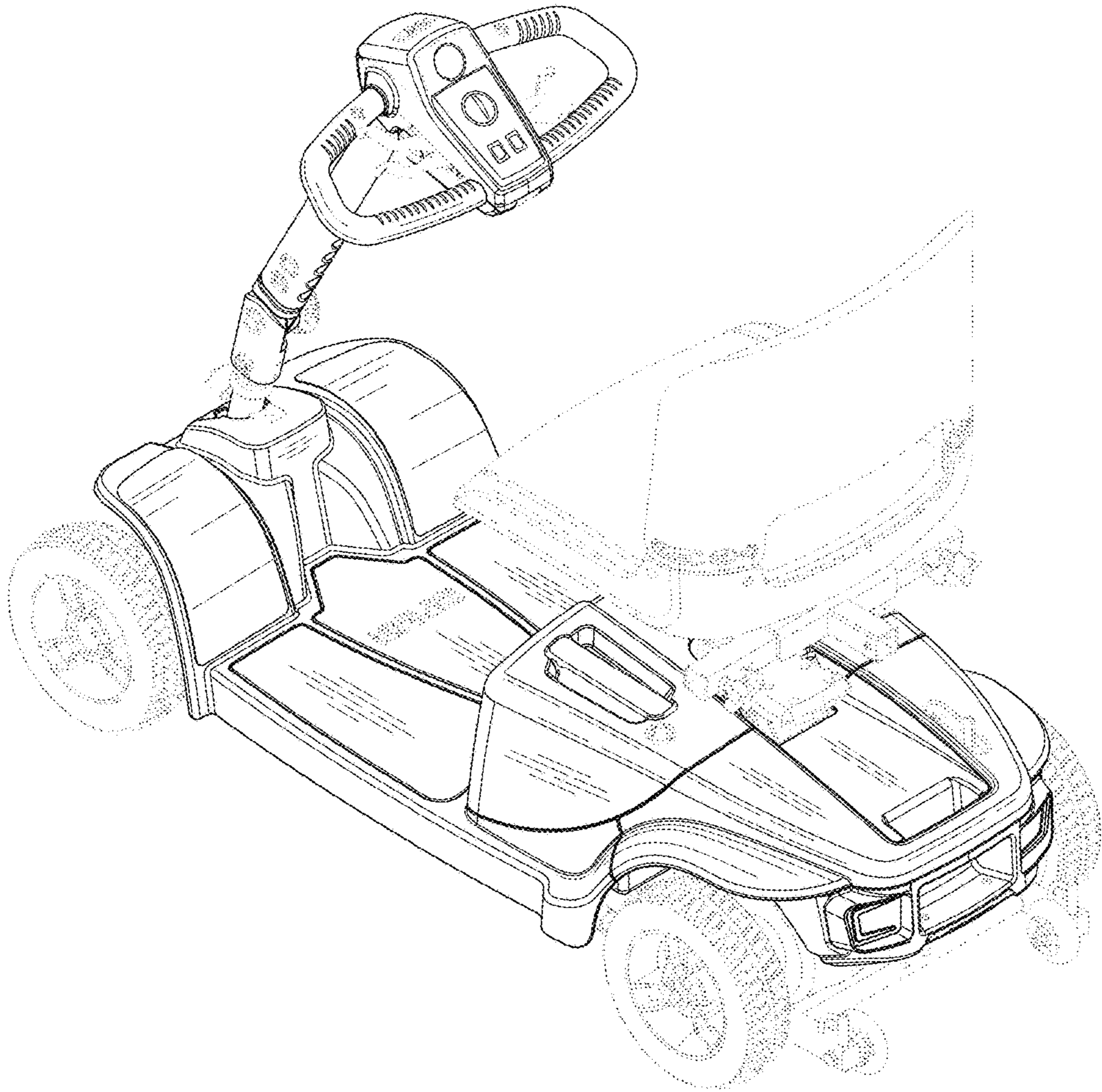


FIG. 2

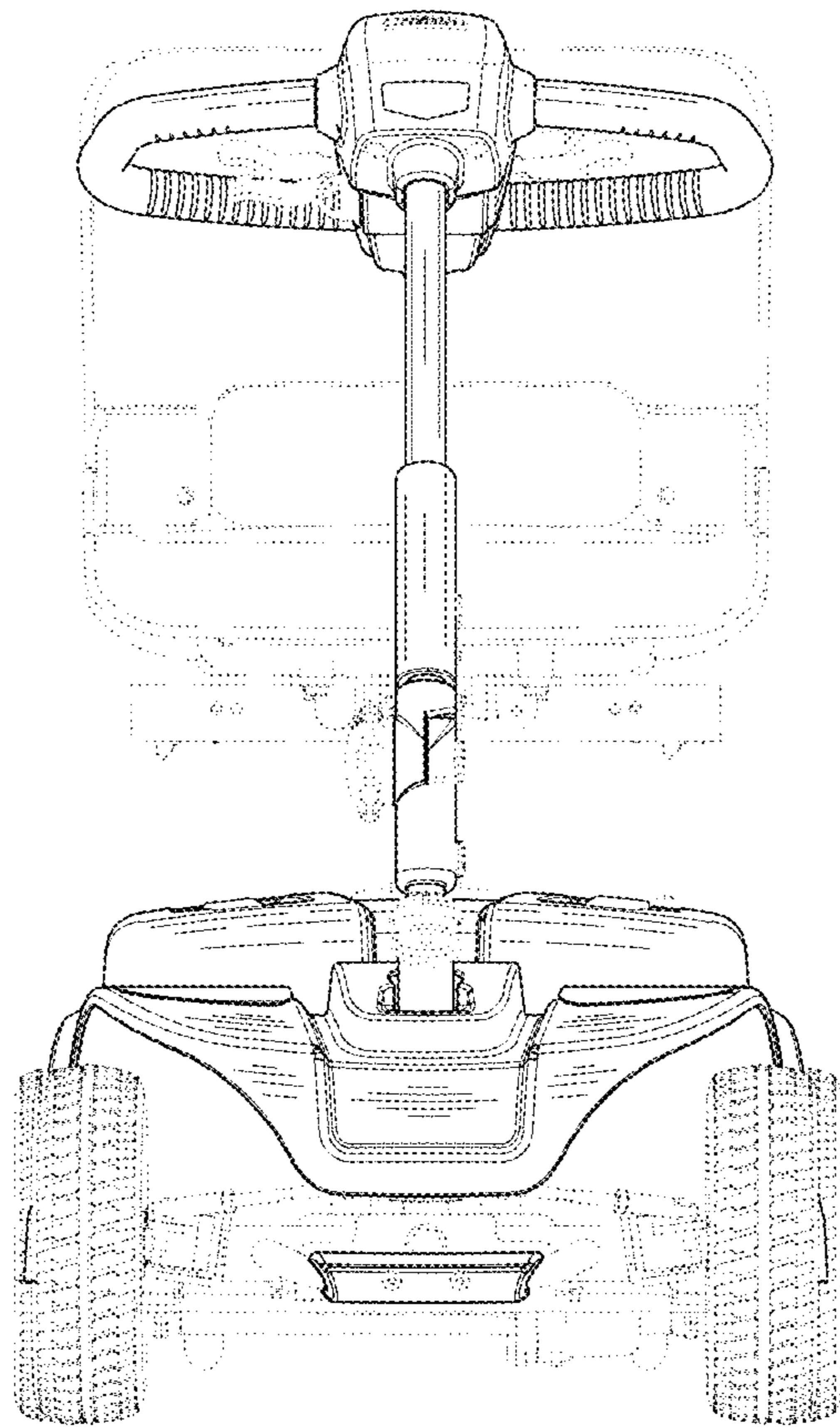


FIG. 3

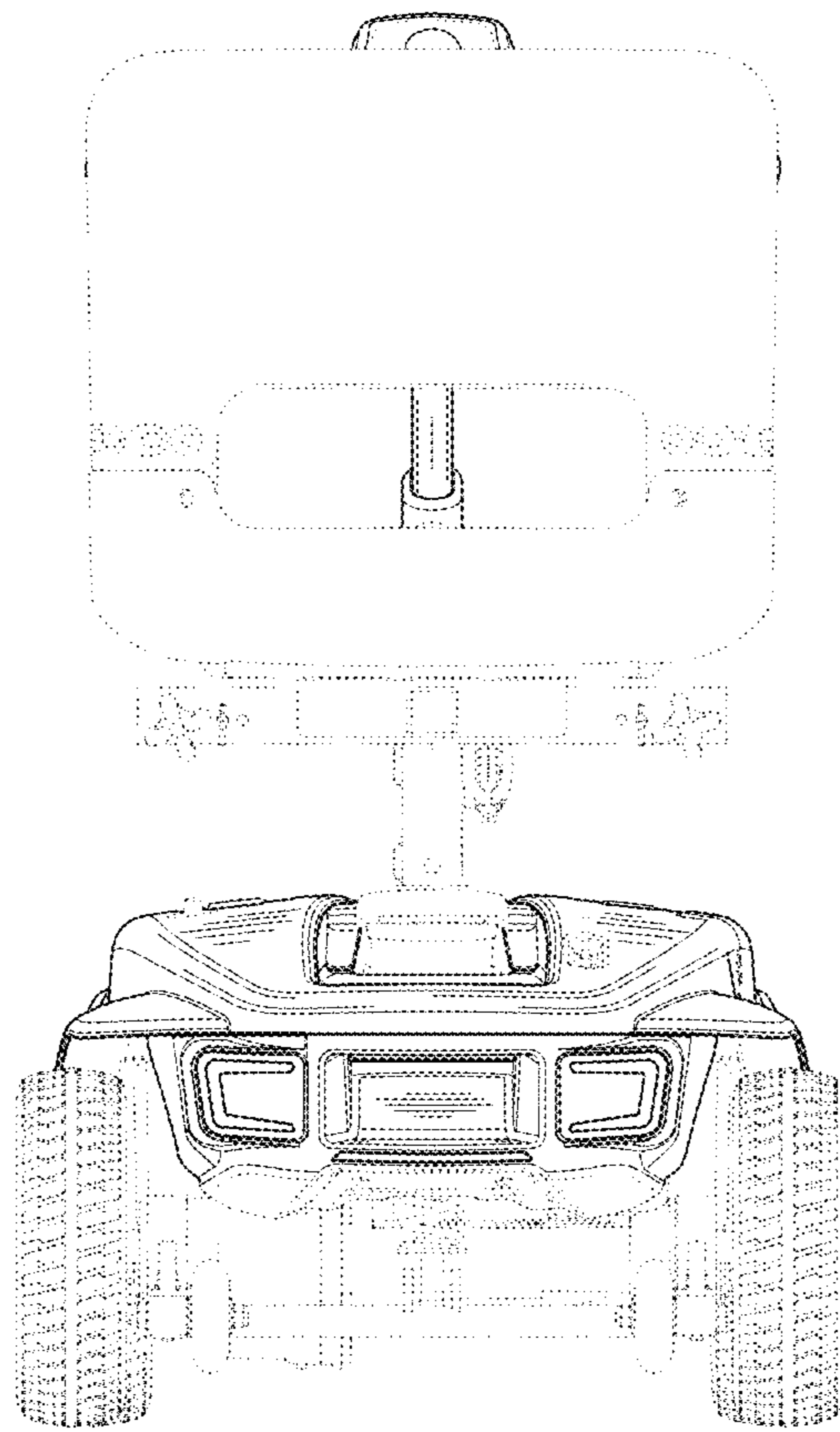


FIG. 4

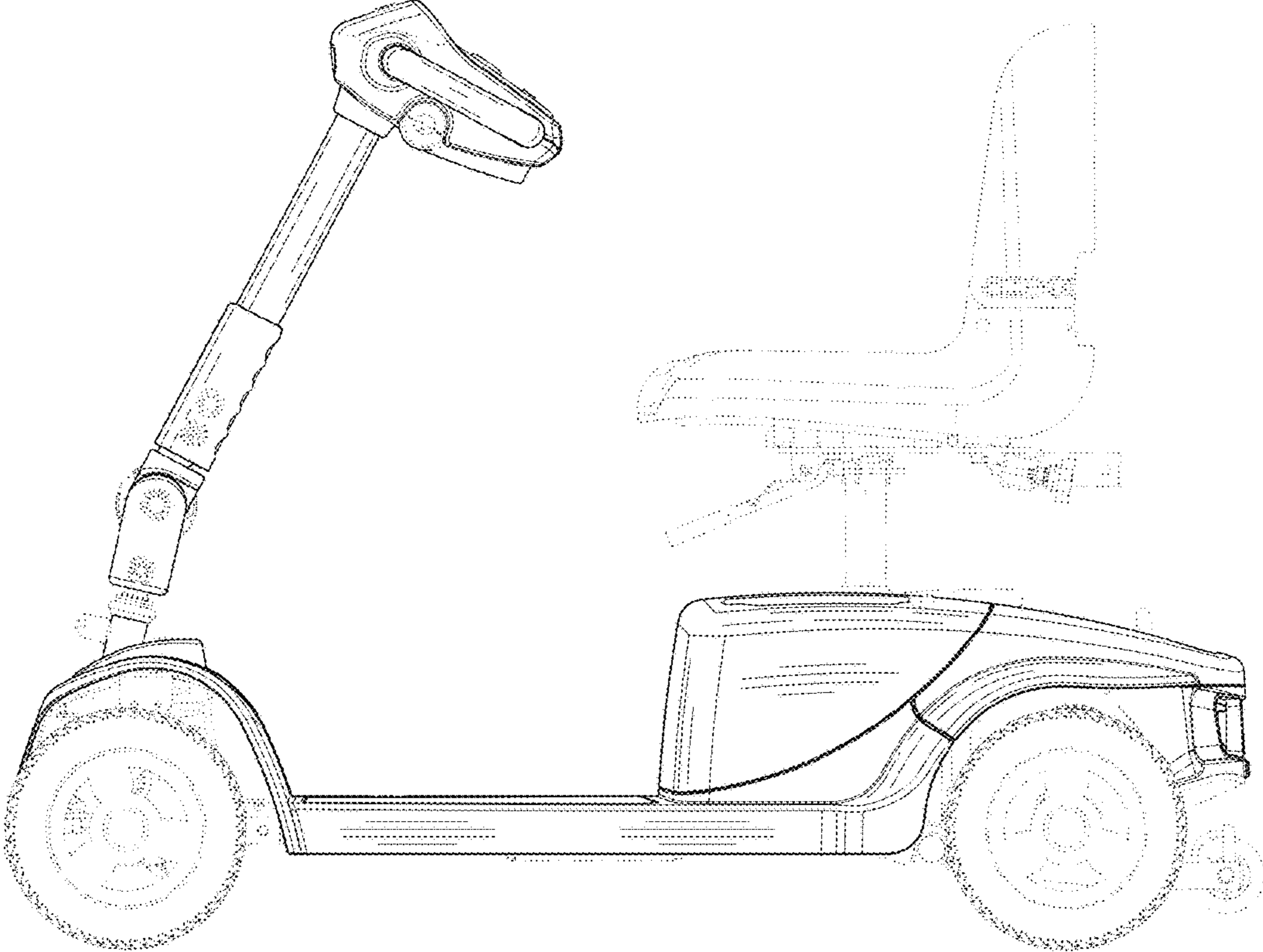


FIG. 5

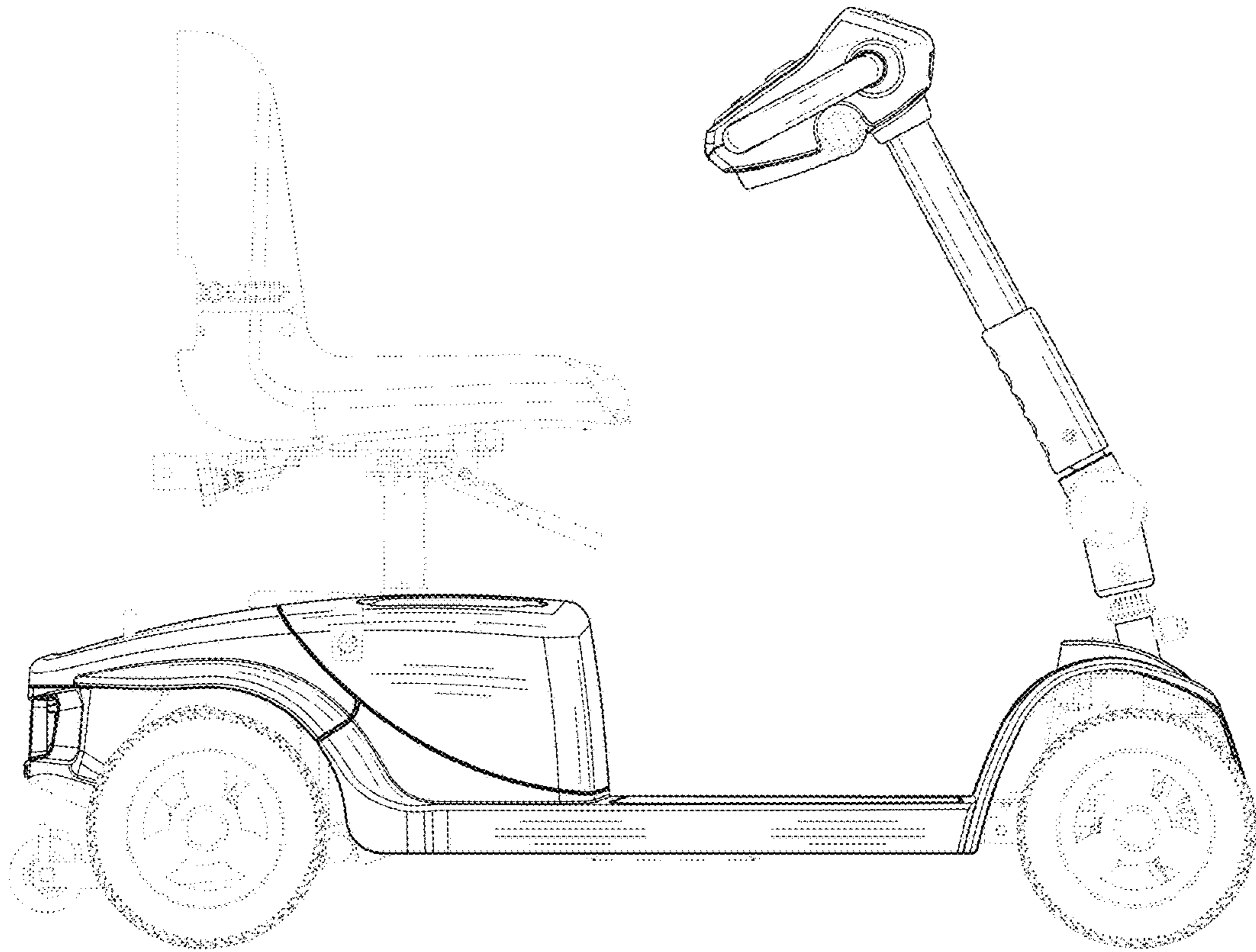


FIG. 6

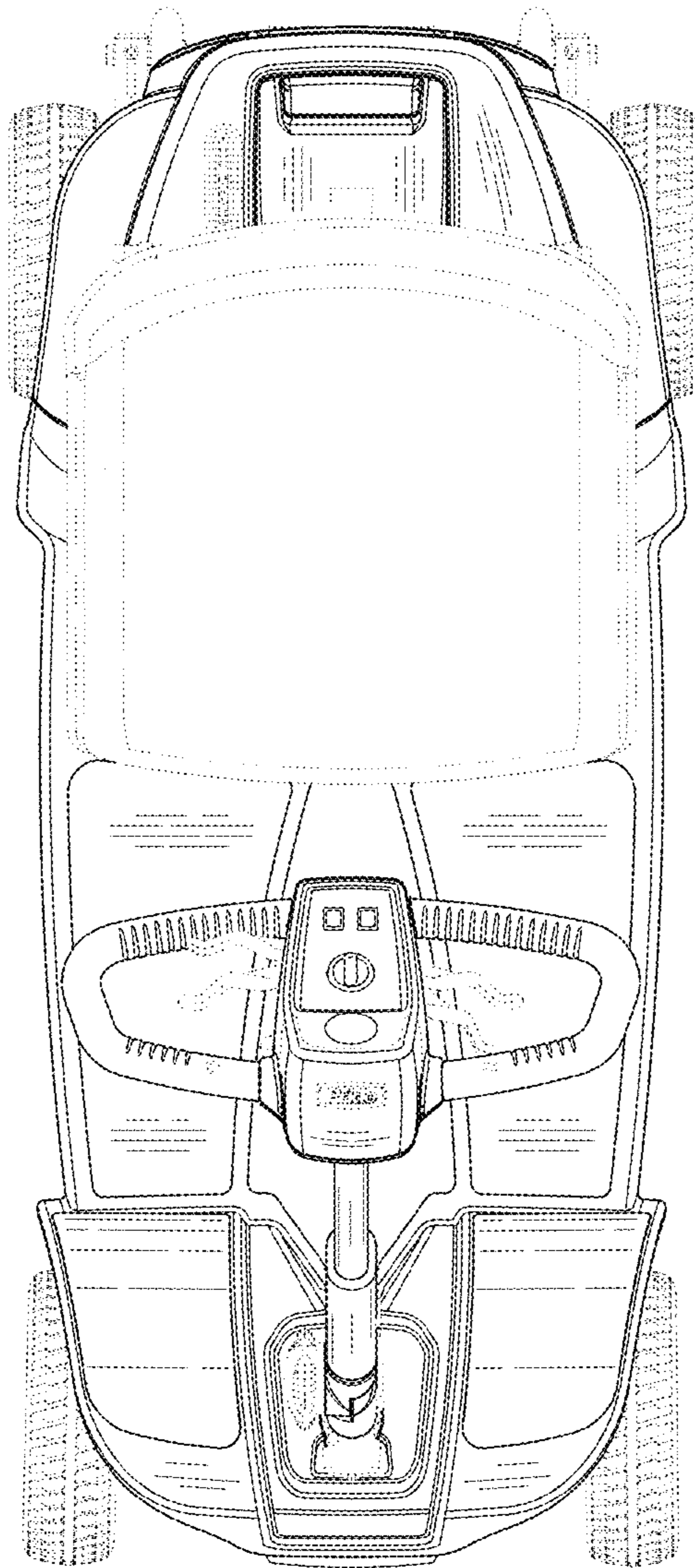


FIG. 7

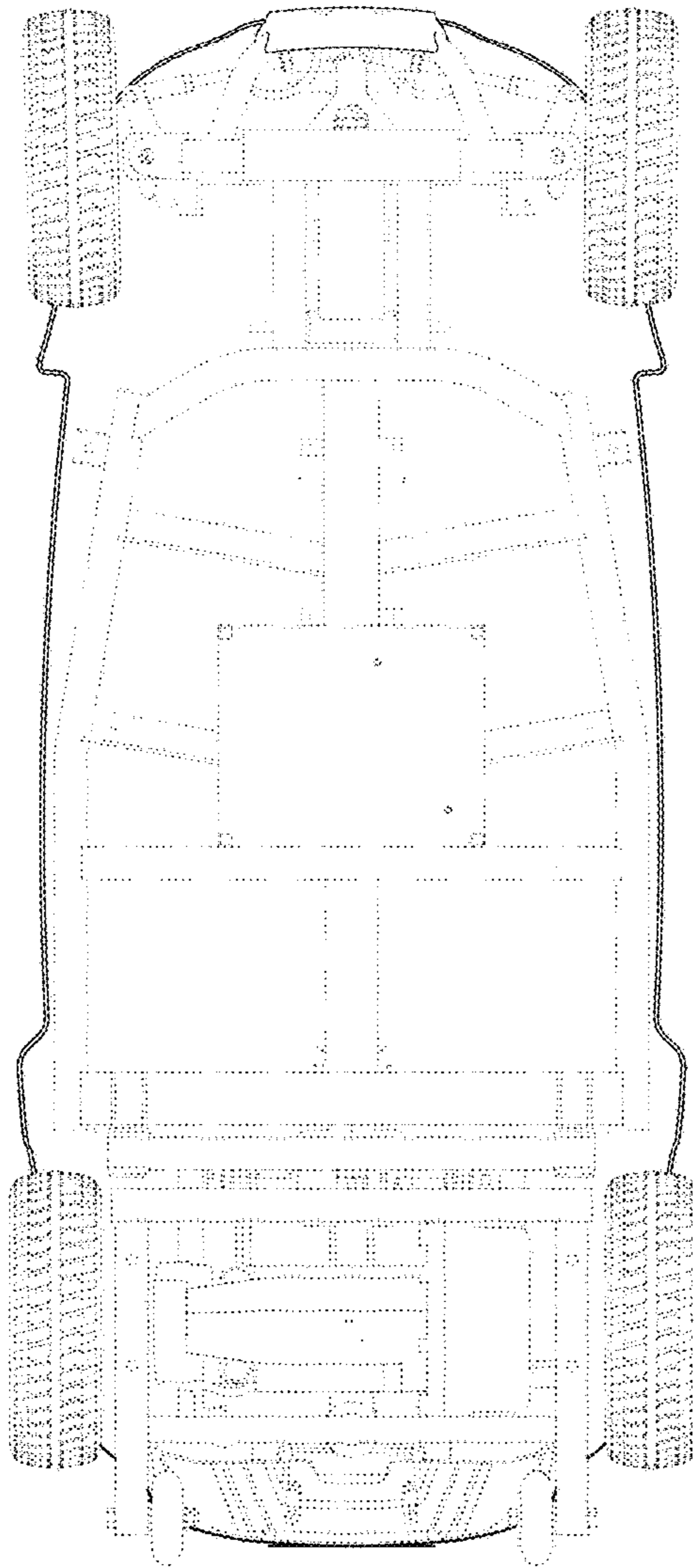


FIG. 8