



US00D820733S

(12) **United States Design Patent** (10) **Patent No.:** **US D820,733 S**
Chen (45) **Date of Patent:** **** Jun. 19, 2018**

(54) **DRIFTING KART**

(71) Applicant: **RAZOR USA LLC**, Cerritos, CA (US)

(72) Inventor: **Robert (Wei-Pin) Chen**, San Marino, CA (US)

(73) Assignee: **RAZOR USA LLC**, Cerritos, CA (US)

(**) Term: **15 Years**

(21) Appl. No.: **29/587,645**

(22) Filed: **Dec. 14, 2016**

Related U.S. Application Data

(63) Continuation of application No. 29/521,091, filed on Mar. 19, 2015, now Pat. No. Des. 774,981.

(51) **LOC (11) Cl.** **12-11**

(52) **U.S. Cl.**
USPC **D12/112; D21/426**

(58) **Field of Classification Search**
USPC D21/412, 414, 431-435; D12/1, 87, 107,
D12/110-114, 129, 130, 133
CPC A63G 25/00; B62D 21/183; B62D 39/00;
B60K 7/0007
See application file for complete search history.

(56) **References Cited**

U.S. PATENT DOCUMENTS

3,062,559 A 6/1959 Hewitt
D189,614 S 1/1961 Beale
D190,024 S 4/1961 Rouse
3,125,177 A 3/1964 Paller

(Continued)

FOREIGN PATENT DOCUMENTS

CN 2936826 8/2007
CN 200977859 11/2007
CN 203186508 U 9/2013

OTHER PUBLICATIONS

Aamoth, Doug, "Razor Builds the Ultimate Drifting Go-Kart: Why Must I Always Be Over the Weight Limit for Everything Good in This World?," Jul. 11, 2013, retrieved on Aug. 6, 2016, <http://techland.time.com/2013/07/11/razor-builds-the-ultimate-drifting-go-kart-why-must-i-always-be-over-the-weight-limit-for-everything-good-in-this-world/>, in 2 pages.

(Continued)

Primary Examiner — Darlington Ly

(74) *Attorney, Agent, or Firm* — Knobbe Martens Olson & Bear, LLP

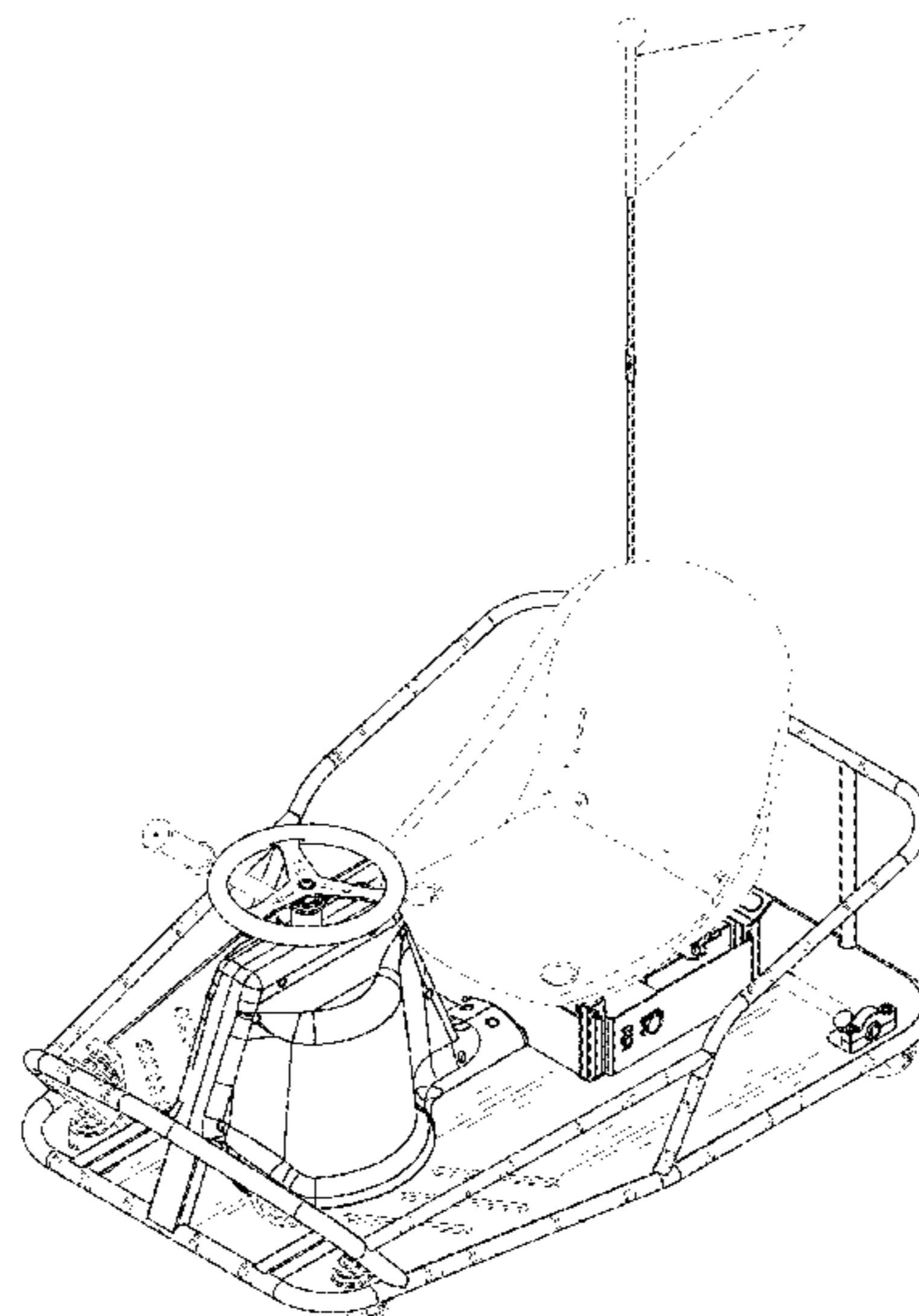
(57) **CLAIM**

The ornamental designs for a drifting kart, as shown and described.

DESCRIPTION

FIG. 1 is a top, rear, and right side perspective view of a drifting kart showing my new design in accordance with a first embodiment;
FIG. 2 is a top, front, and left side perspective view thereof;
FIG. 3 is a front elevation view thereof;
FIG. 4 is a rear elevation view thereof;
FIG. 5 is a left side elevation view thereof;
FIG. 6 is a right side elevation view thereof; and
FIG. 7 is a top plan view thereof;
FIG. 8 is a top, rear, and right side perspective view of a drifting kart showing my new design in accordance with a second embodiment;
FIG. 9 is a top, front, and left side perspective view thereof;
FIG. 10 is a front elevation view thereof;
FIG. 11 is a rear elevation view thereof;
FIG. 12 is a left side elevation view thereof;
FIG. 13 is a right side elevation view thereof; and,
FIG. 14 is a top plan view thereof.
Broken lines are used to illustrate features of the drifting kart which form no part of the claimed design.

1 Claim, 14 Drawing Sheets



(56)

References Cited

U.S. PATENT DOCUMENTS

3,533,484 A * 10/1970 Wood, Jr. B60K 1/00
15/250.17

D222,283 S 10/1971 Reeves

3,799,283 A 3/1974 Freber

3,938,608 A 2/1976 Folco-Zambelli

3,960,392 A 6/1976 Read

D243,627 S 3/1977 Clower

D246,198 S * 10/1977 Rose D21/426

D249,496 S * 9/1978 Morgan D12/112

D252,714 S * 8/1979 Tidwell D21/426

4,281,844 A 8/1981 Jackman et al.

4,359,231 A 11/1982 Mulcahy

4,403,673 A 9/1983 Ball

D276,058 S * 10/1984 Rogers D21/426

D280,916 S * 10/1985 Castle D21/426

4,572,535 A 2/1986 Stewart

D290,451 S 6/1987 Engum

4,750,578 A 6/1988 Brandenfels

4,826,190 A 5/1989 Hartmann

4,898,508 A 2/1990 Hayata

4,915,075 A 4/1990 Brown

4,993,733 A 2/1991 Eilers

D320,420 S * 10/1991 Dupont D12/88

D320,586 S * 10/1991 Tellinghuisen D12/112

D332,765 S 1/1993 Tellinghuisen

D332,977 S 2/1993 Huffman et al.

5,257,671 A 11/1993 Watkins

5,265,690 A 11/1993 Amundsen et al.

5,479,998 A 1/1996 Ishikawa

5,494,126 A 2/1996 Meeker

D369,130 S 4/1996 Cummings

D378,226 S 2/1997 Sundqvist

5,628,379 A 5/1997 Watkins

5,826,670 A 10/1998 Nan

D408,869 S 4/1999 Patmont

5,904,218 A 5/1999 Watkins

6,047,786 A 4/2000 Stevenson et al.

D440,607 S 4/2001 Mahlow

6,276,480 B1 8/2001 Aregger

D460,723 S 7/2002 Smit

D469,819 S 2/2003 Nicolle et al.

D483,420 S 12/2003 DeLong et al.

D488,194 S 4/2004 Fox et al.

6,749,039 B1 6/2004 Uphaus

6,766,871 B2 7/2004 Sawyer

D512,467 S 12/2005 Hadley et al.

7,117,967 B2 10/2006 Kidd

D562,914 S 2/2008 Oveson et al.

D574,297 S 8/2008 Carl

D575,675 S 8/2008 Williams et al.

D582,992 S * 12/2008 Alais D21/426

7,552,934 B2 6/2009 Lee et al.

D608,250 S 1/2010 Van De

D611,106 S 3/2010 Van Beek

7,712,558 B2 5/2010 Helson et al.

7,823,675 B2 11/2010 Kermani

D637,116 S 5/2011 Kettler

8,091,658 B2 1/2012 Peng

8,356,686 B2 1/2013 Kermani

8,365,850 B2 2/2013 Gal et al.

D682,746 S 5/2013 Doherty et al.

D692,505 S * 10/2013 Jiang D12/112

D692,506 S * 10/2013 Jiang D12/112

8,875,831 B2 11/2014 Kermani

D737,534 S 8/2015 Kinberger et al.

9,139,248 B2 9/2015 Xiao

D761,700 S 7/2016 Kermani

D764,600 S 8/2016 Desberg

D764,601 S 8/2016 Desberg

D766,780 S 9/2016 Fusco

D771,196 S 11/2016 Chen

9,499,220 B2 11/2016 Kermani

D774,602 S 12/2016 Desberg

D774,981 S 12/2016 Chen

D775,282 S 12/2016 Williams et al.

D778,369 S 2/2017 Douma et al.

D783,726 S 4/2017 Williams et al.

D787,379 S 5/2017 Kermani

D793,480 S 8/2017 Chen

D793,481 S 8/2017 Kermani et al.

D793,912 S 8/2017 Kermani

2004/0035627 A1 2/2004 Richey et al.

2004/0040769 A1 3/2004 Richey et al.

2004/0199311 A1 * 10/2004 Aguilar G09B 9/042
701/36

2007/0045022 A1 3/2007 Greig et al.

2008/0196951 A1 8/2008 Gal et al.

2009/0065272 A1 3/2009 Martin et al.

2010/0032223 A1 * 2/2010 Kermani A63G 25/00
180/216

2012/0133111 A1 5/2012 Schmutzer et al.

2017/0156953 A1 6/2017 Kermani

OTHER PUBLICATIONS

OTL Elektrokart, "Storm Series—Competition" Datasheet, Jun. 14, 2014, retrieved on Aug. 6, 2016, <https://www.kart1.com/pdf/competition.pdf>, in 3 pages.

International Written Opinion of International Patent Application No. PCT/CN2017/072086, dated May 19, 2017.

* cited by examiner

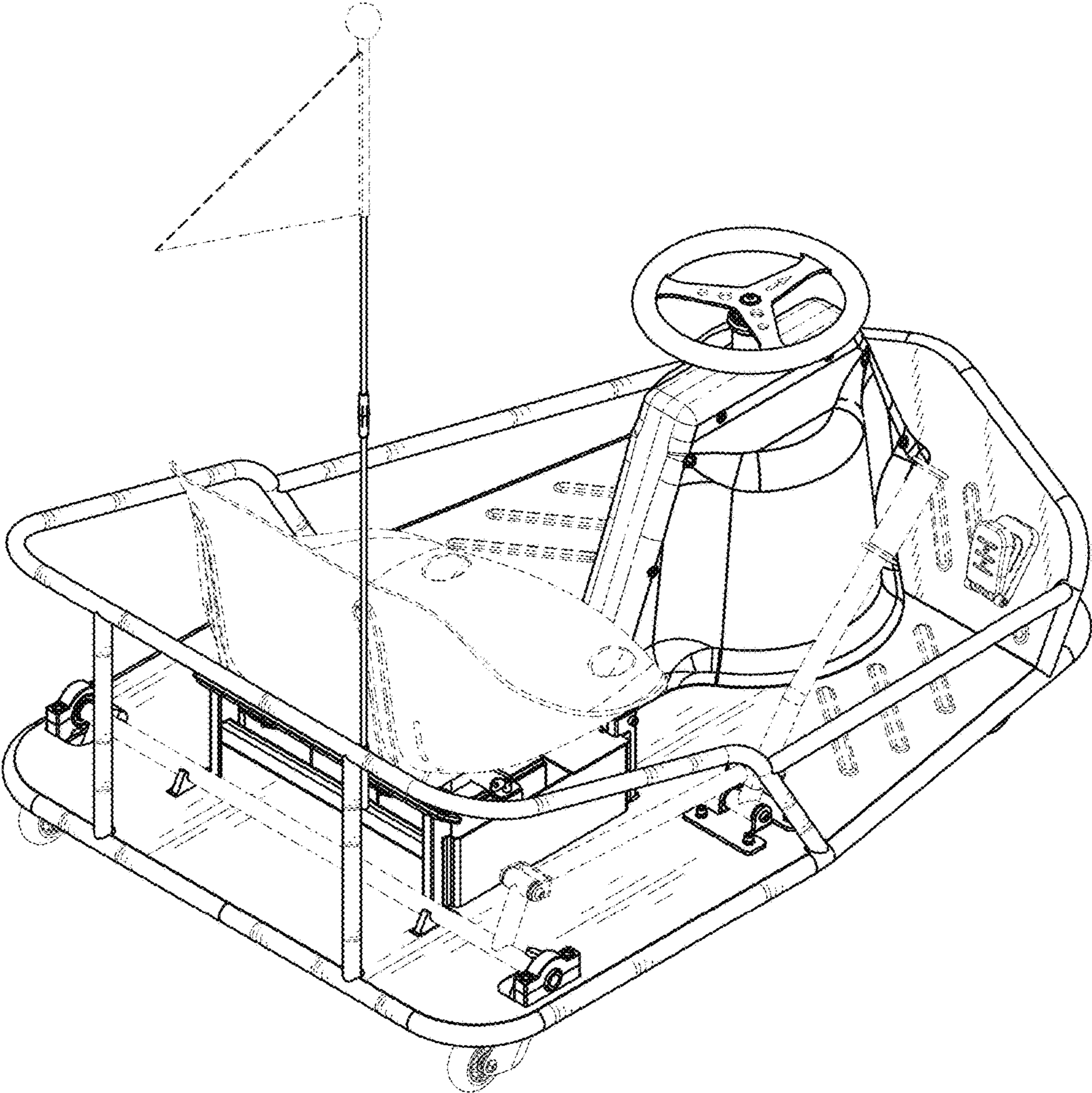


FIG. 1

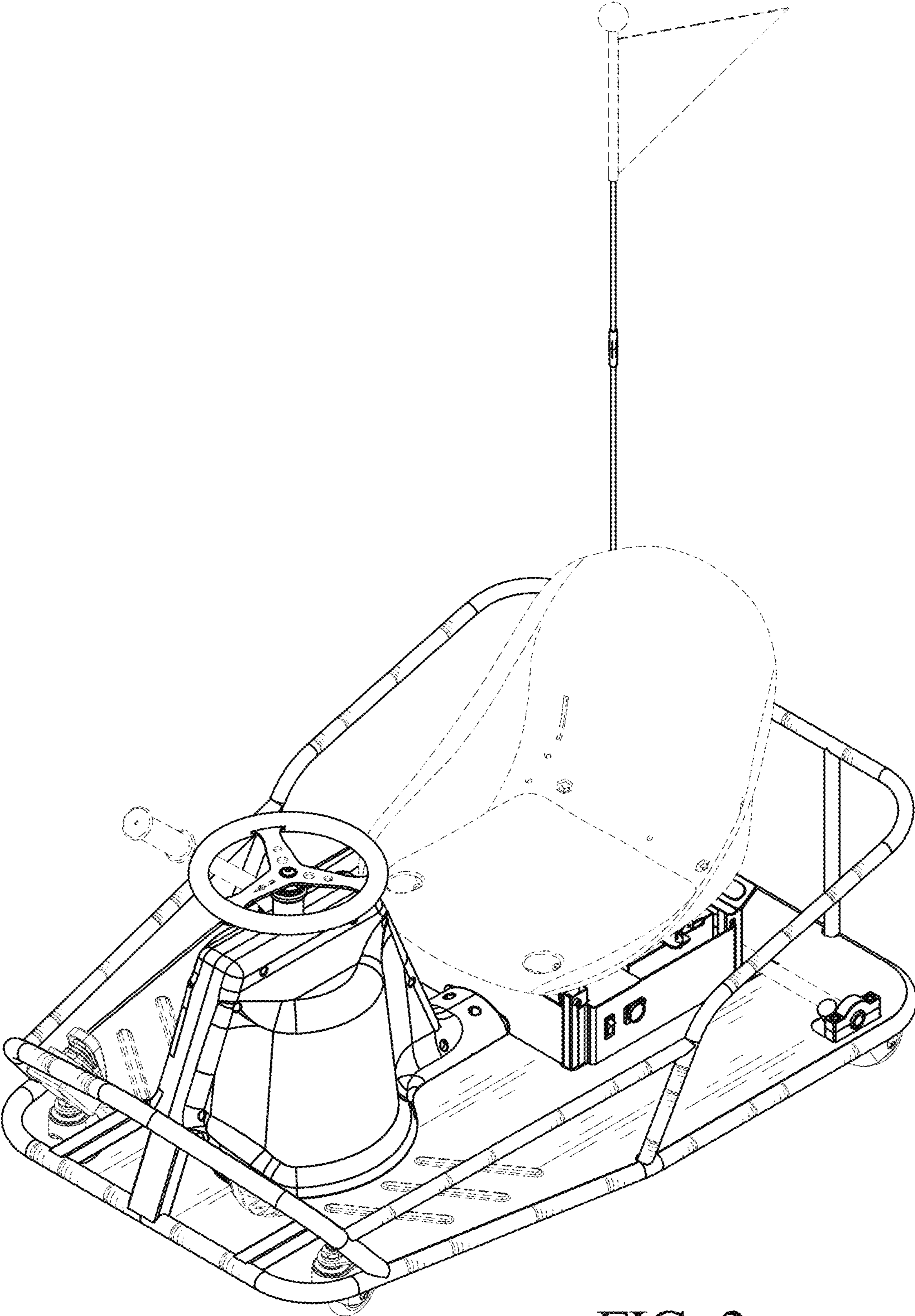


FIG. 2

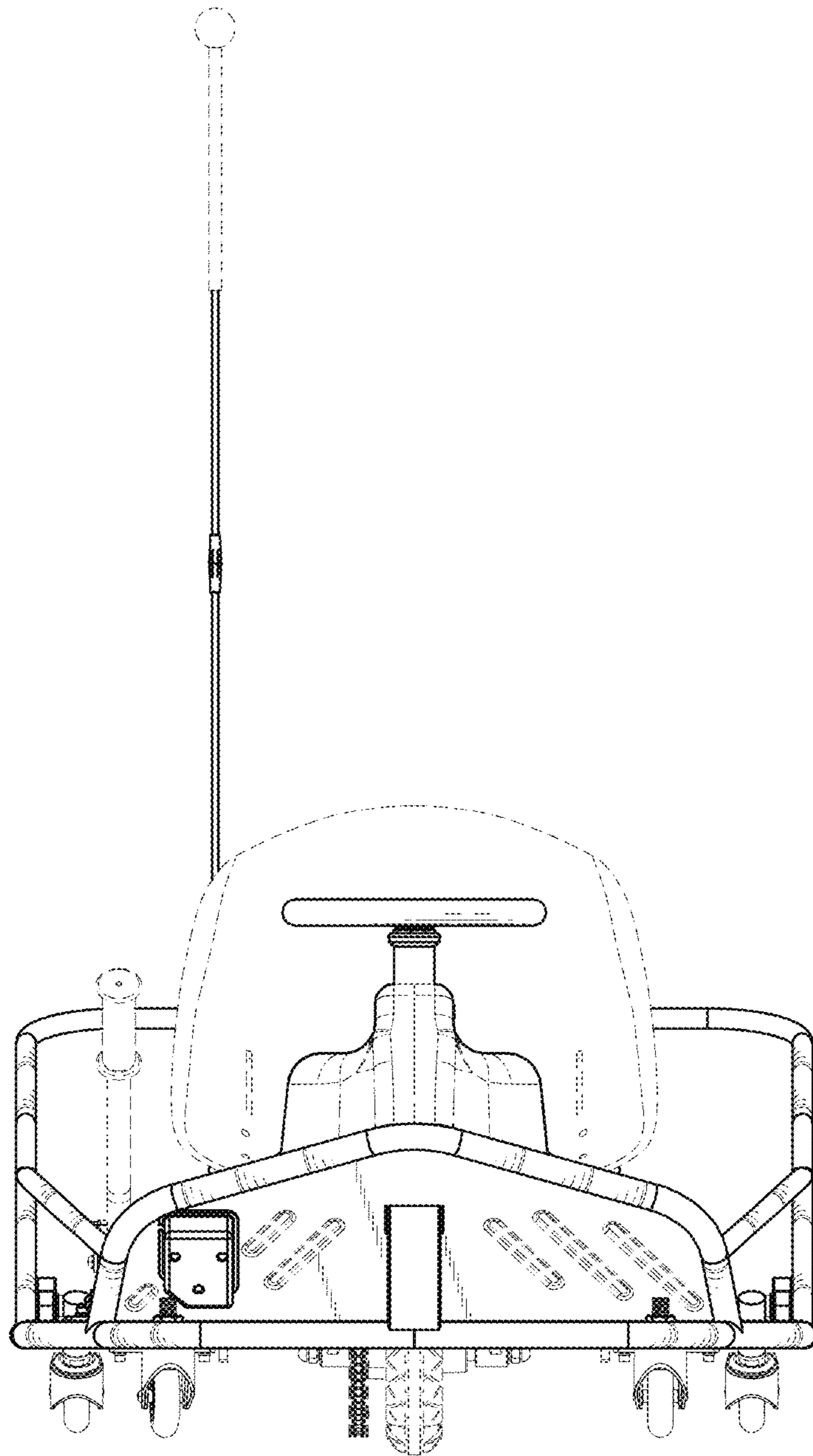


FIG. 3

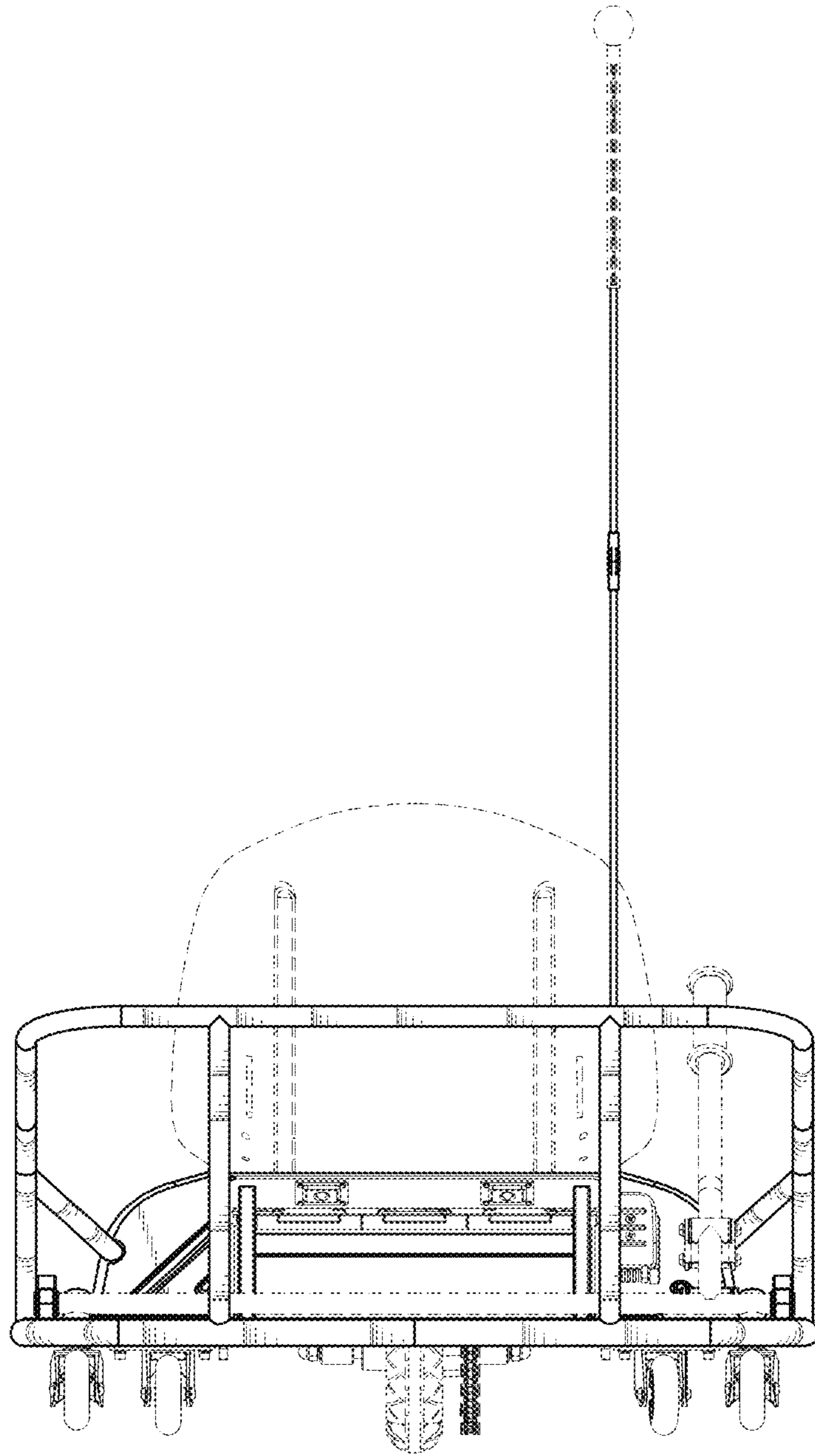


FIG. 4

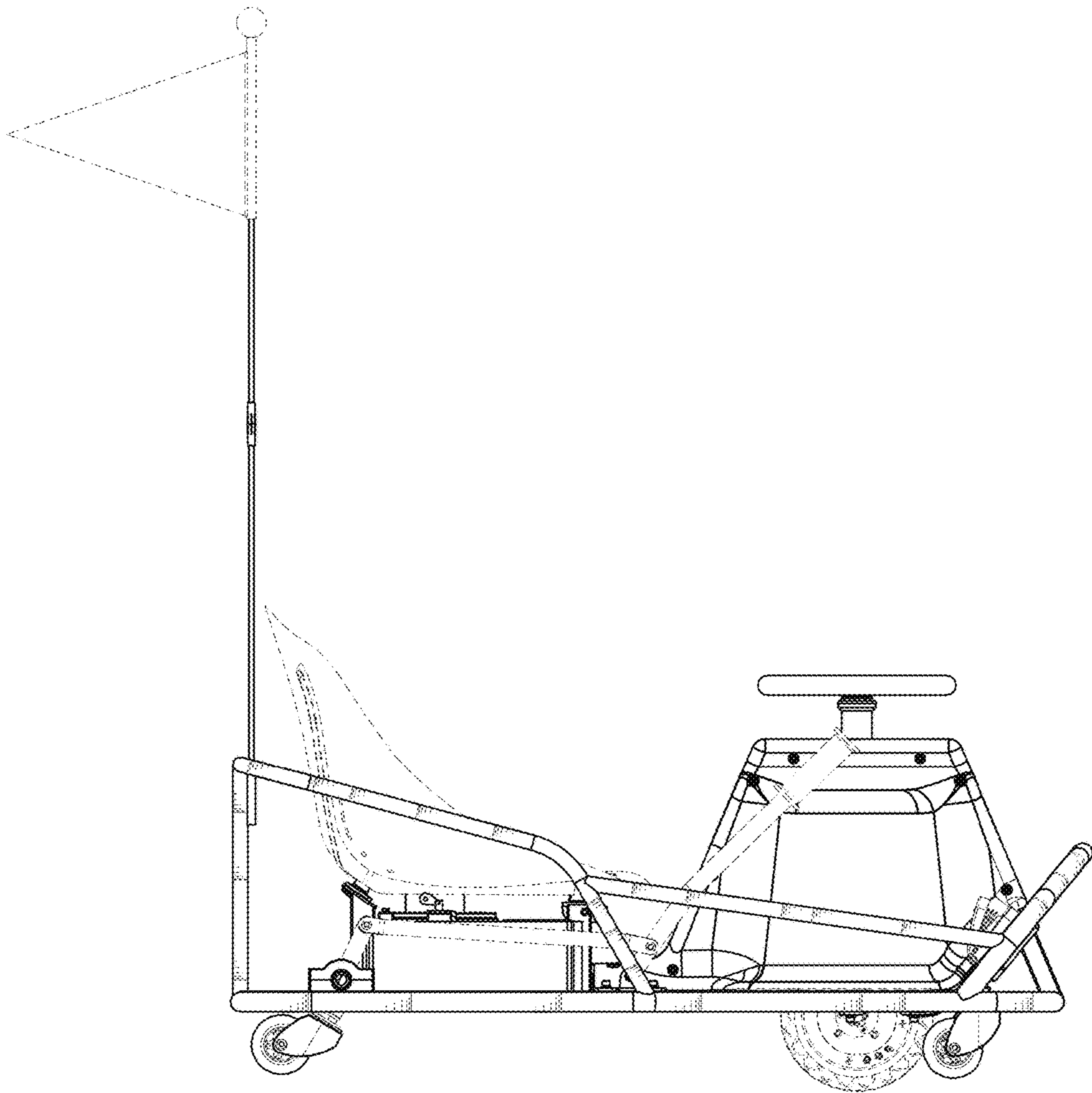


FIG. 5

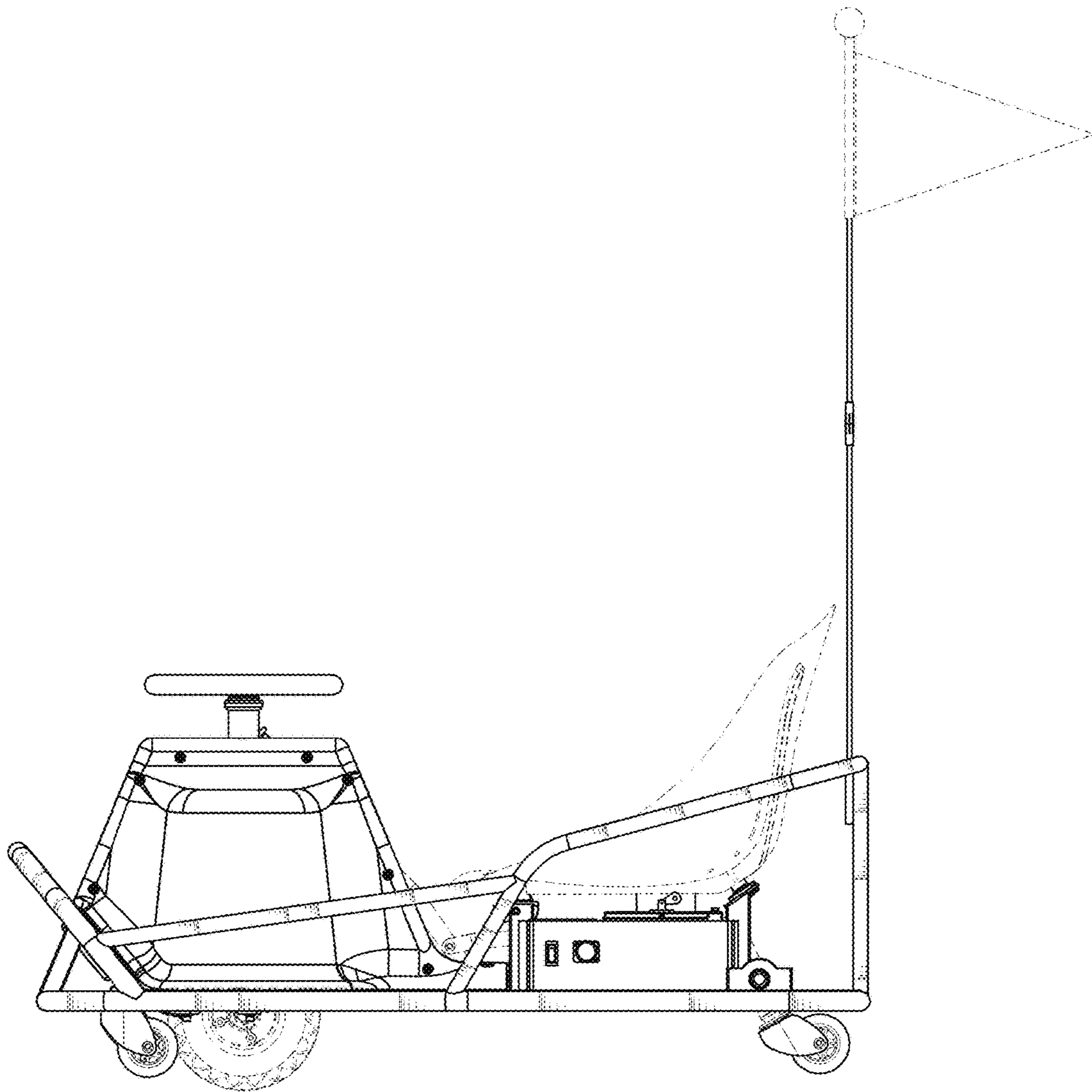


FIG. 6

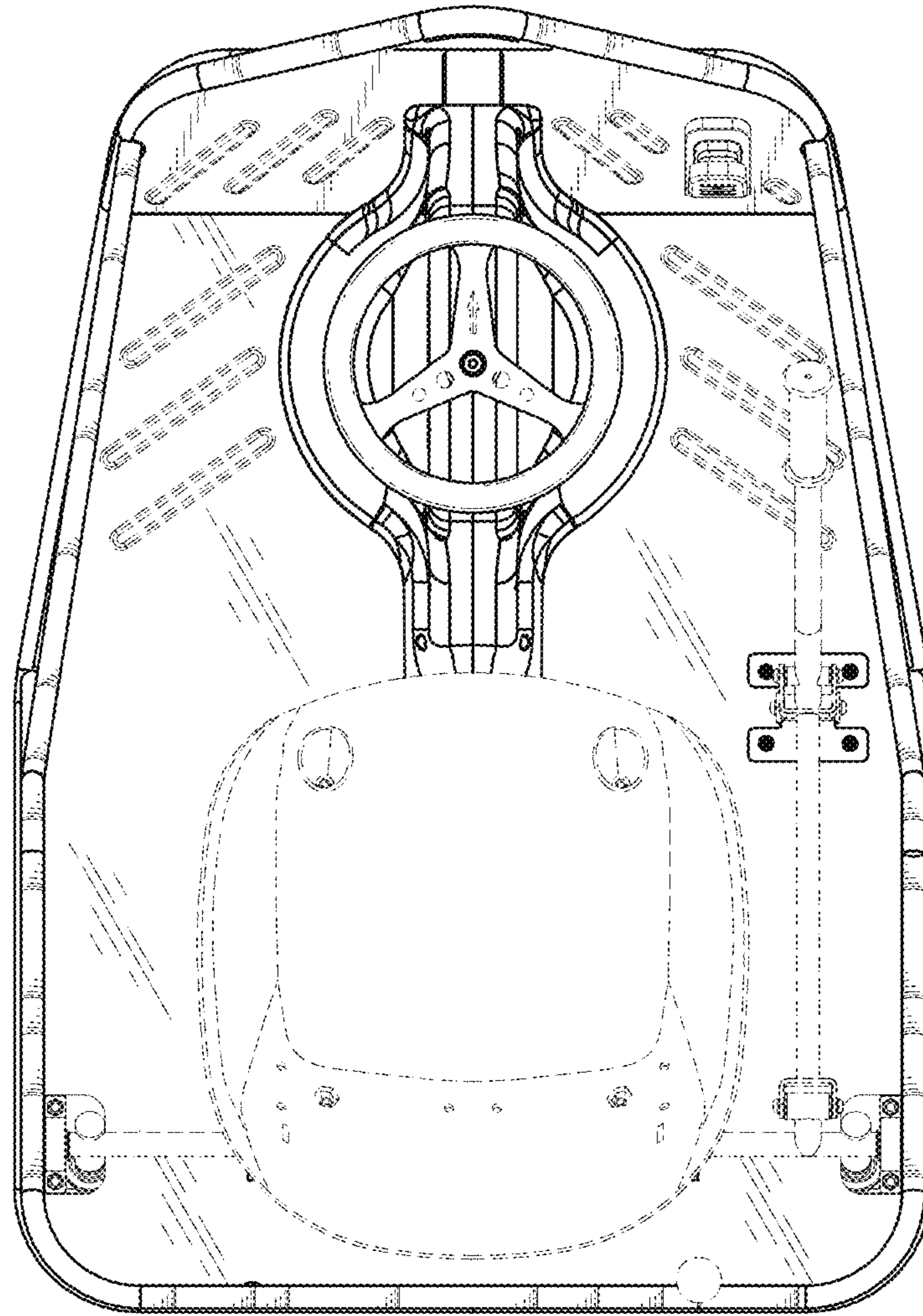


FIG. 7

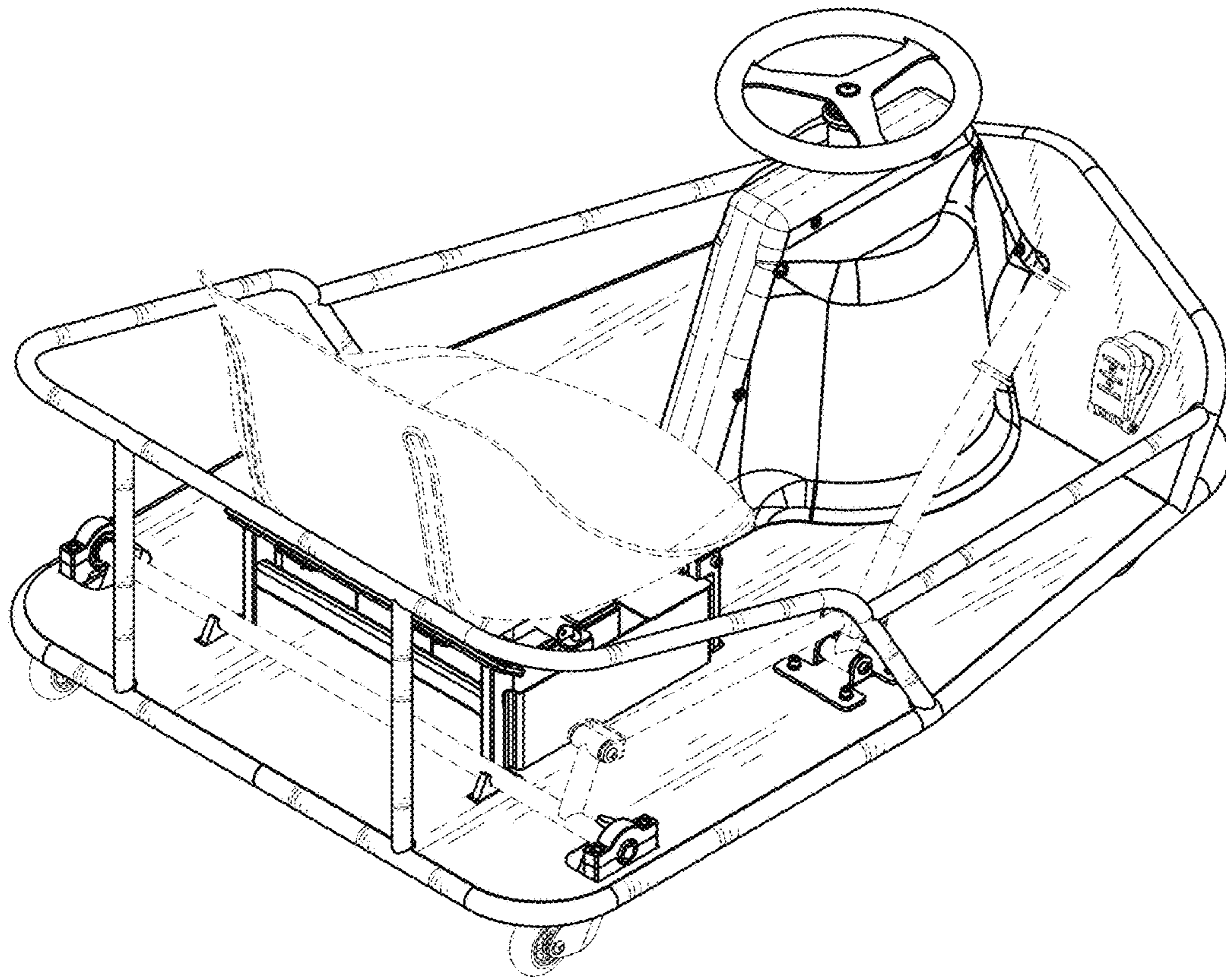


FIG. 8

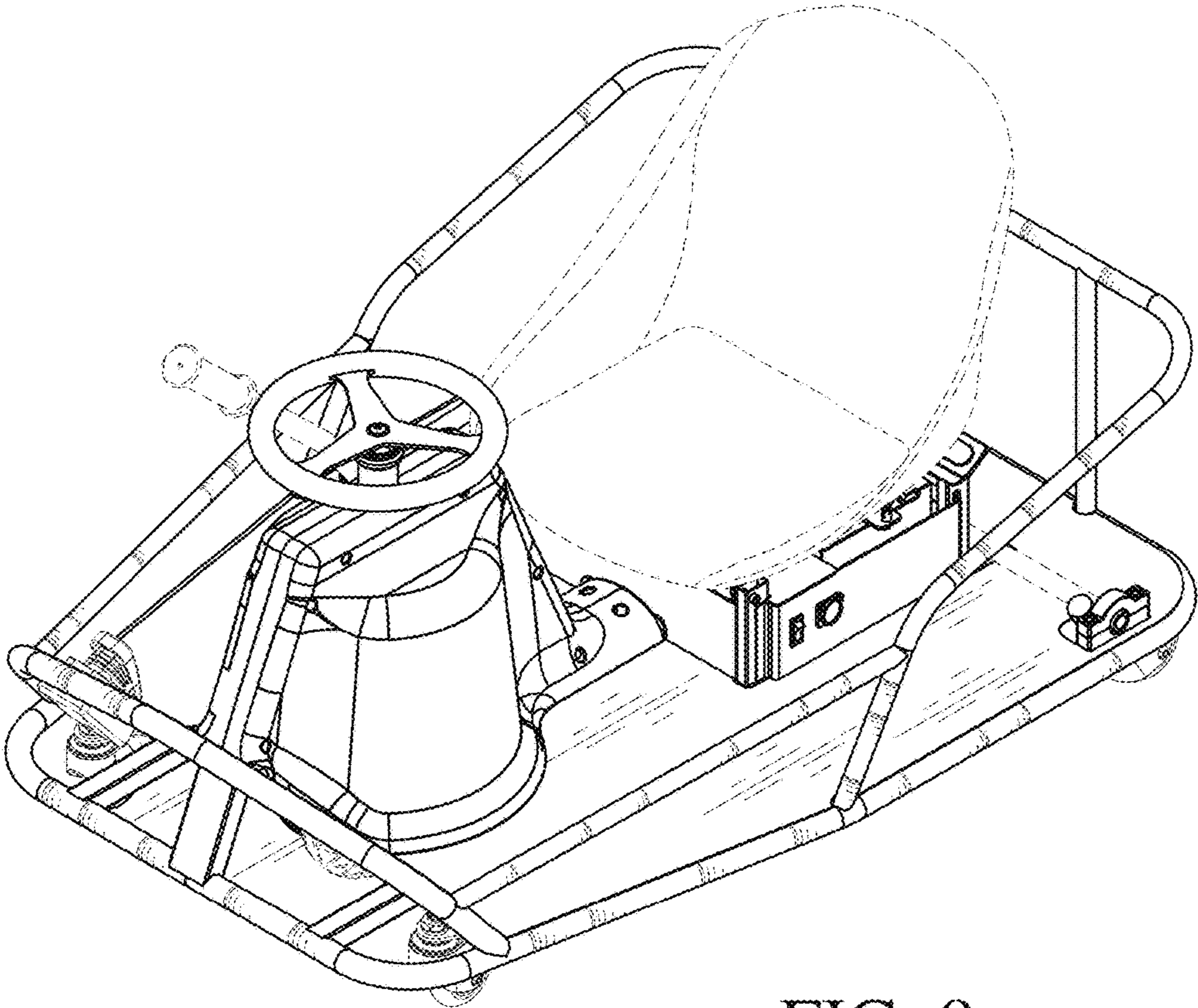


FIG. 9

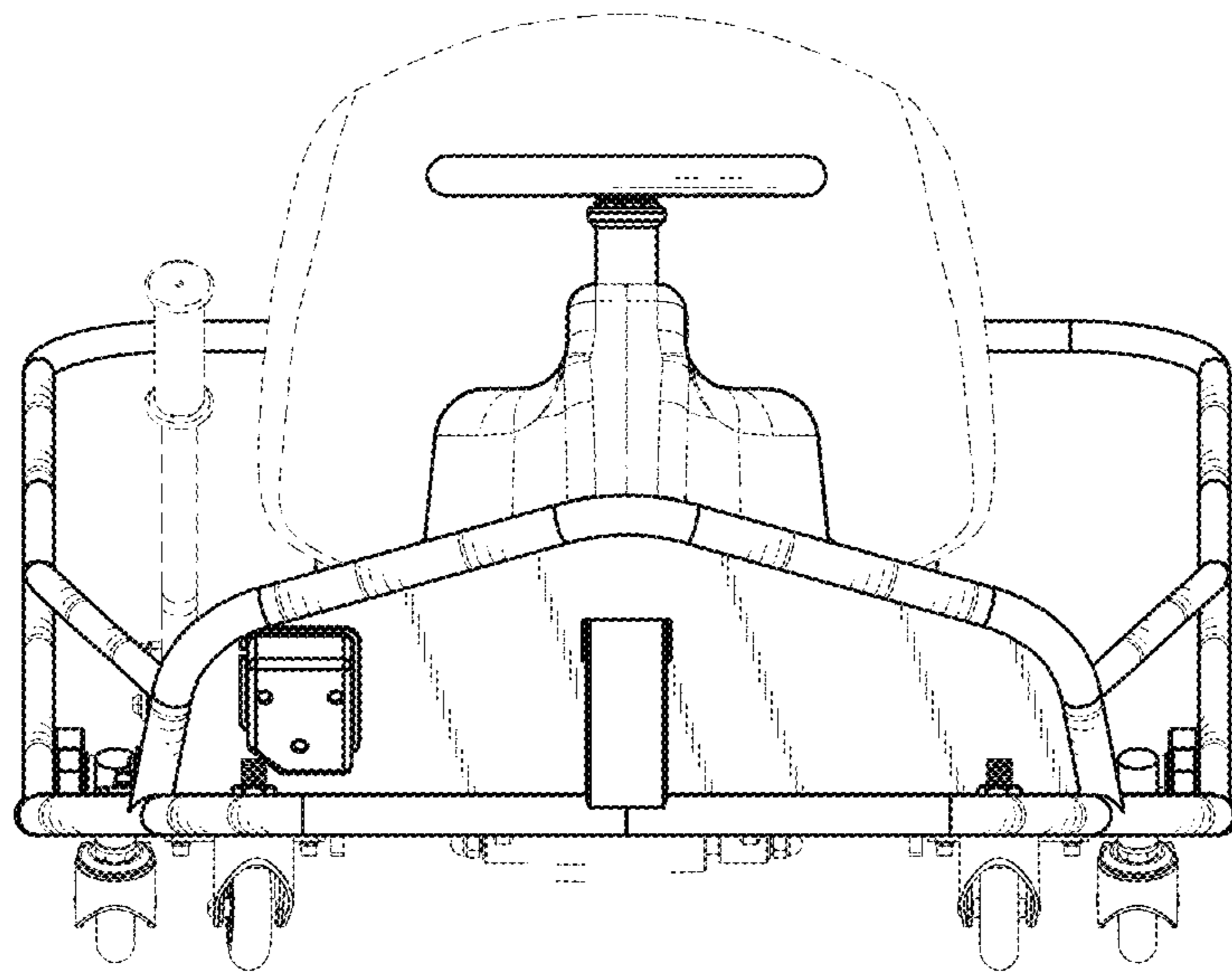


FIG. 10

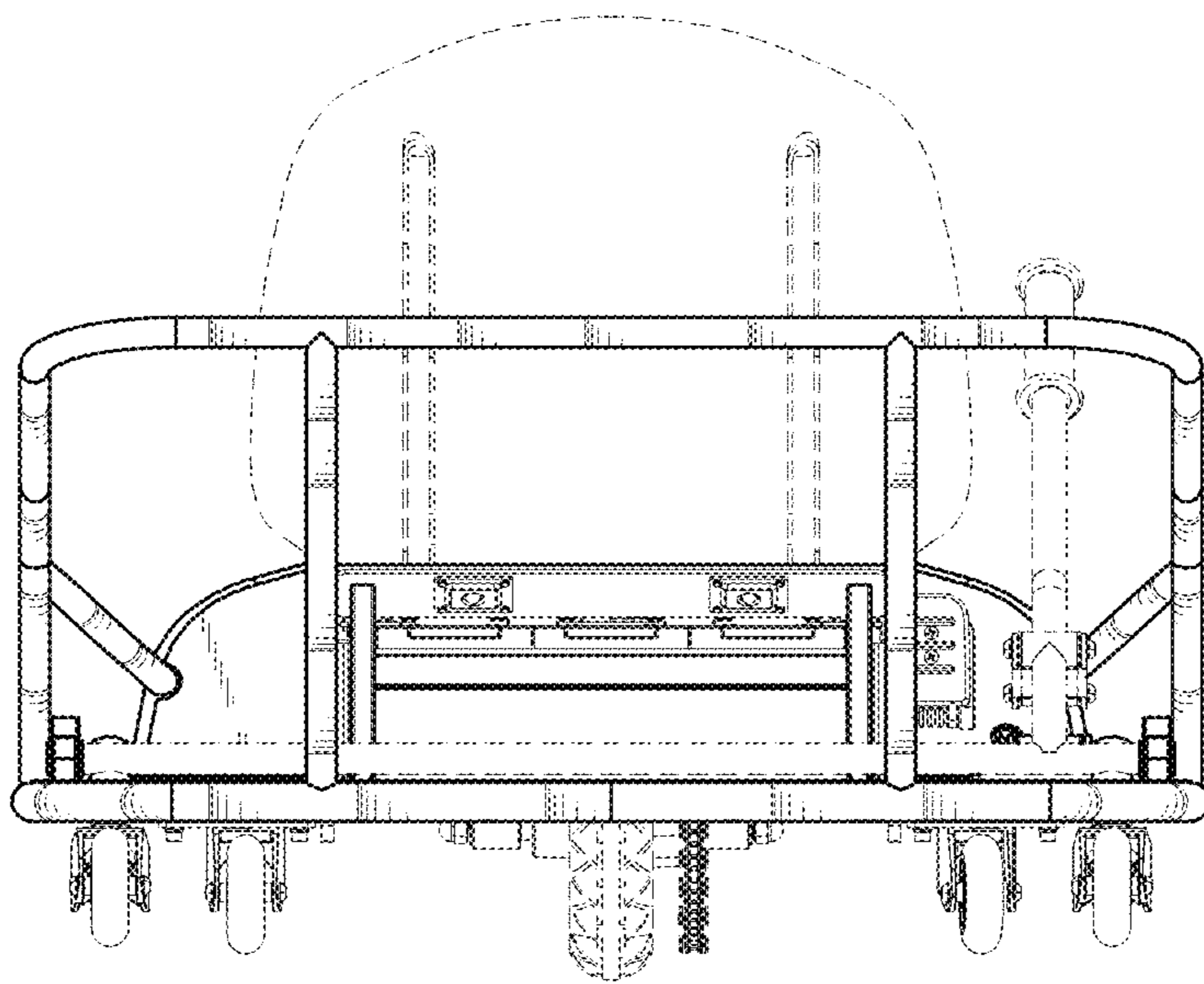


FIG. 11

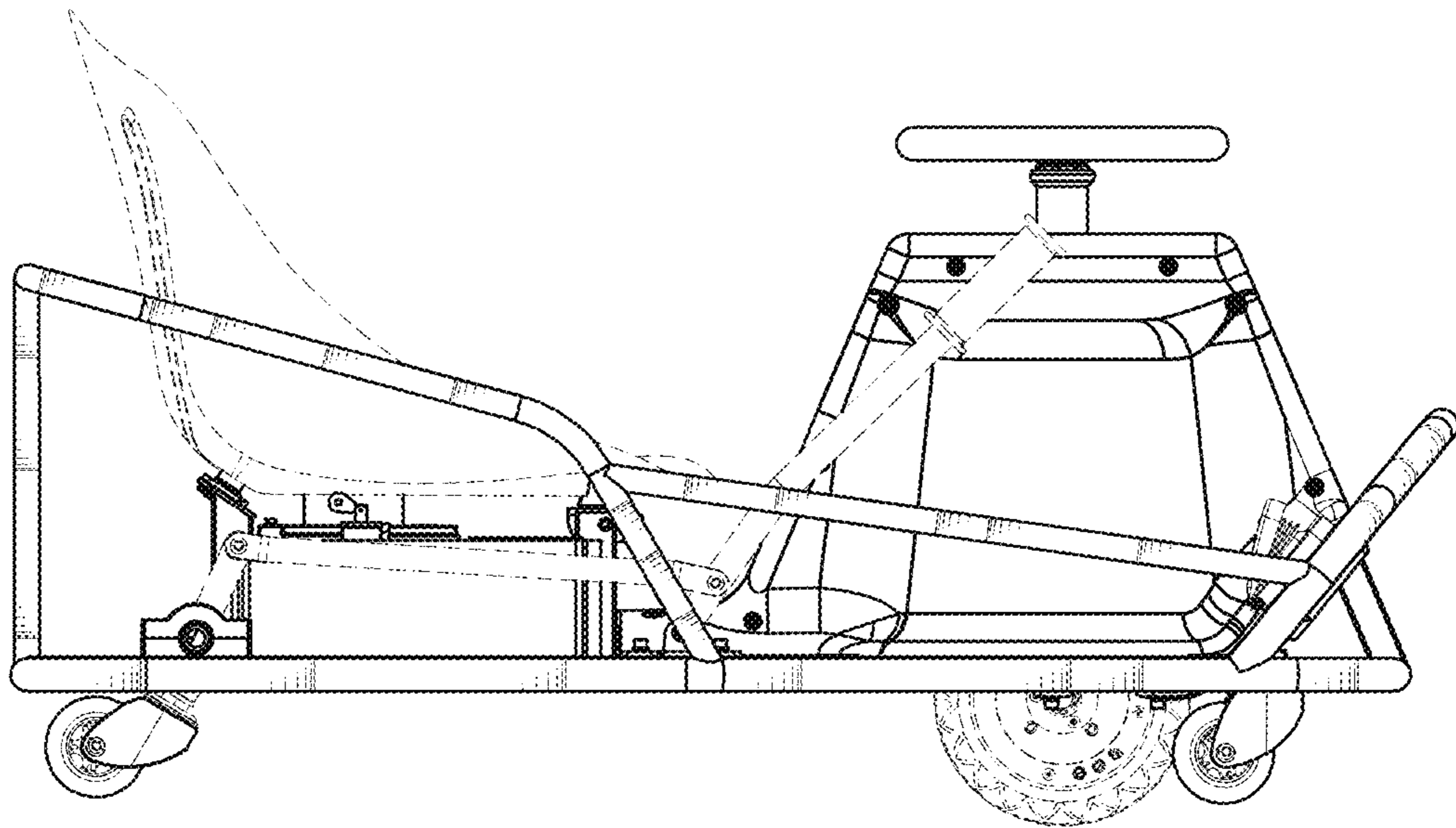


FIG. 12

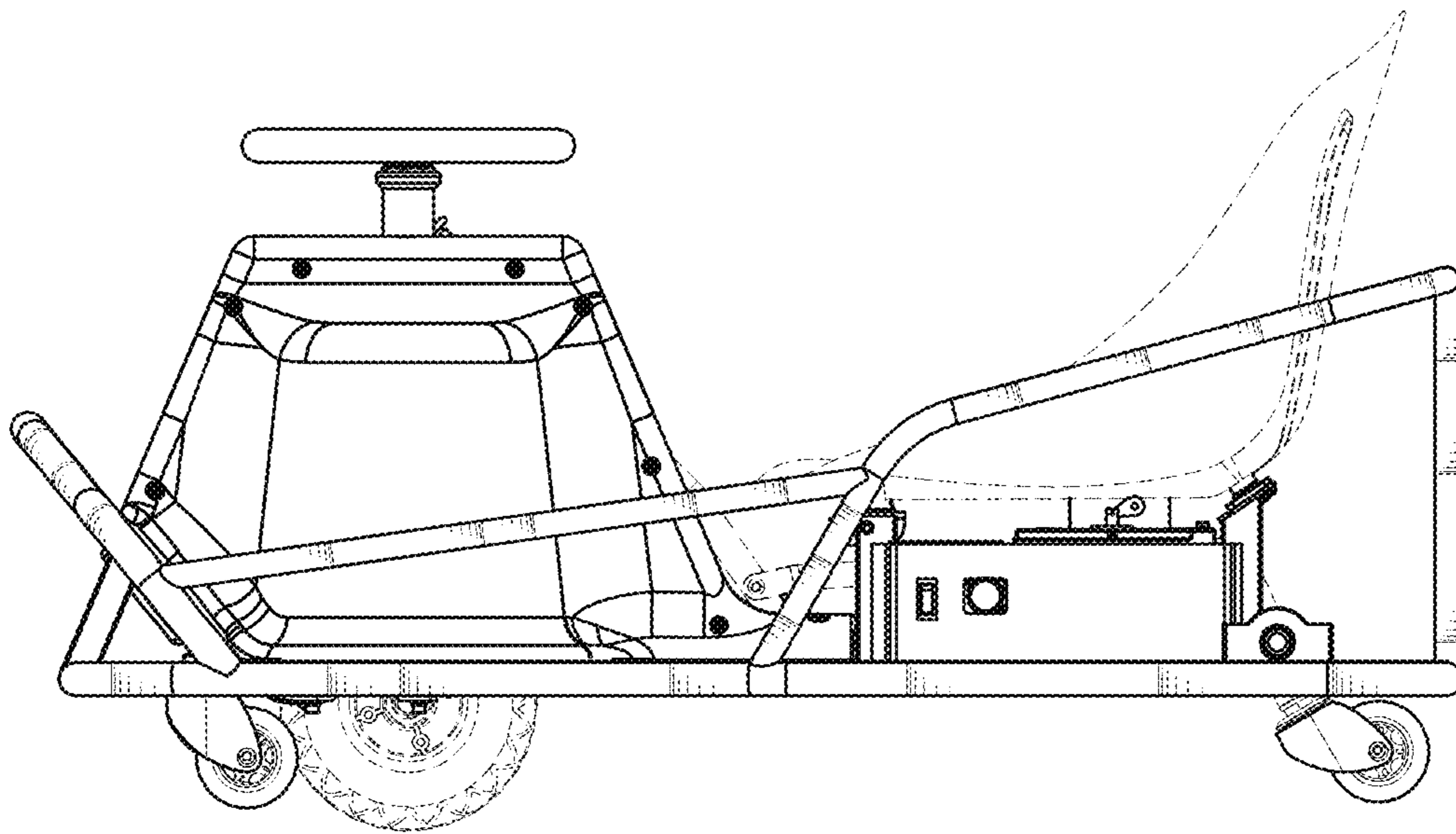


FIG. 13

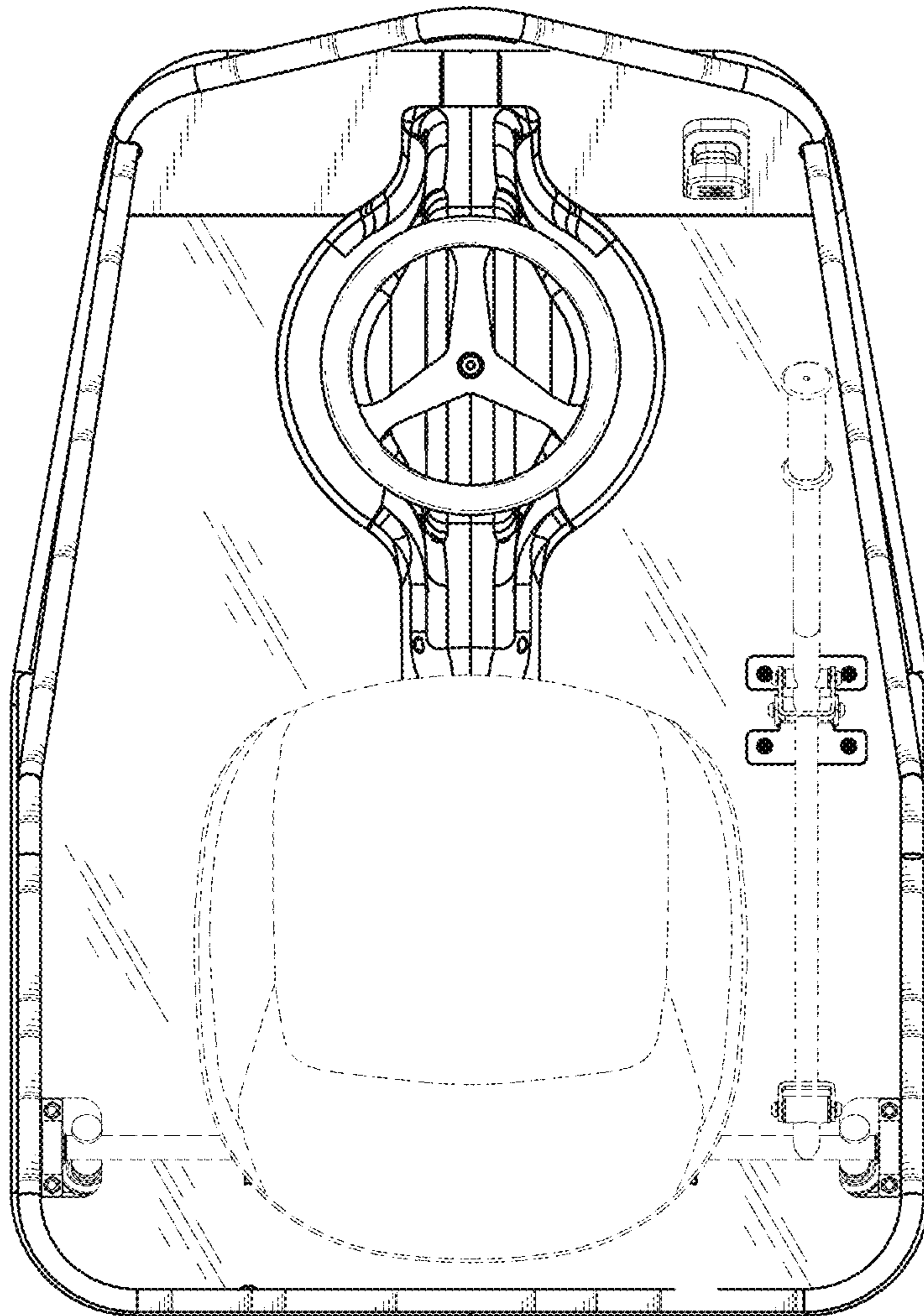


FIG. 14