



US00D820732S

(12) **United States Design Patent**
Francis

(10) **Patent No.:** **US D820,732 S**
(45) **Date of Patent:** **** Jun. 19, 2018**

(54) **MOTORCYCLE**

(71) Applicant: **Burromax LLC**, Kirkwood, MO (US)

(72) Inventor: **Kenneth Francis**, Kirkwood, MO (US)

(**) Term: **15 Years**

(21) Appl. No.: **29/573,590**

(22) Filed: **Aug. 8, 2016**

(51) **LOC (11) Cl.** **12-11**

(52) **U.S. Cl.**
USPC **D12/110**

(58) **Field of Classification Search**
USPC D12/110, 111, 117; D21/432, 538
CPC B62K 11/00; B62K 11/02; B62K 11/04;
B62K 11/10; B62K 17/00; B62K 19/00;
B62K 2202/00
See application file for complete search history.

(56) **References Cited**

U.S. PATENT DOCUMENTS

D385,227 S *	10/1997	Katoh	D12/110
D387,017 S *	12/1997	Wakita	D12/110
D446,746 S	8/2001	Simmons	
D453,489 S	2/2002	Wallace et al.	
D504,640 S *	5/2005	Conte	D12/110
D544,816 S *	6/2007	Davidson	D12/110
D582,318 S *	12/2008	Kishi	D12/110
D594,785 S *	6/2009	Sasanami	D12/110
D601,927 S *	10/2009	Watanabe	D12/110
7,607,504 B2 *	10/2009	Yamasaki	B62K 11/04 180/219
D603,300 S *	11/2009	Fukuyama	D12/110
D605,087 S *	12/2009	Wong	D12/110
D632,226 S *	2/2011	Miyata	D12/110
D637,523 S *	5/2011	Sugimoto	D12/110

D643,783 S	8/2011	Thackery	
D653,590 S	2/2012	Patterson et al.	
D689,798 S	9/2013	Patterson et al.	
D734,215 S *	7/2015	Forrellad	D12/110
D735,087 S *	7/2015	Imura	D12/110
D746,179 S *	12/2015	Tsukui	D12/110
D753,552 S *	4/2016	McGinley	D12/110
D776,013 S *	1/2017	Kiska	D12/110
D776,575 S *	1/2017	Kiska	D12/110
2014/0291051 A1 *	10/2014	Yoshida	F01P 5/06 180/229

OTHER PUBLICATIONS

U.S. Appl. No. 29/573,576, filed Aug. 8, 2016, Kenneth Francis.
MX650 Dirt Rides, Supercross Inspired, <http://www.razor.com/products/dirt/mx650/>, Copyright 2016, accessed May 10, 2016, 7 pages.

* cited by examiner

Primary Examiner — Darlington Ly
(74) *Attorney, Agent, or Firm* — Harness, Dickey & Pierce, P.L.C.

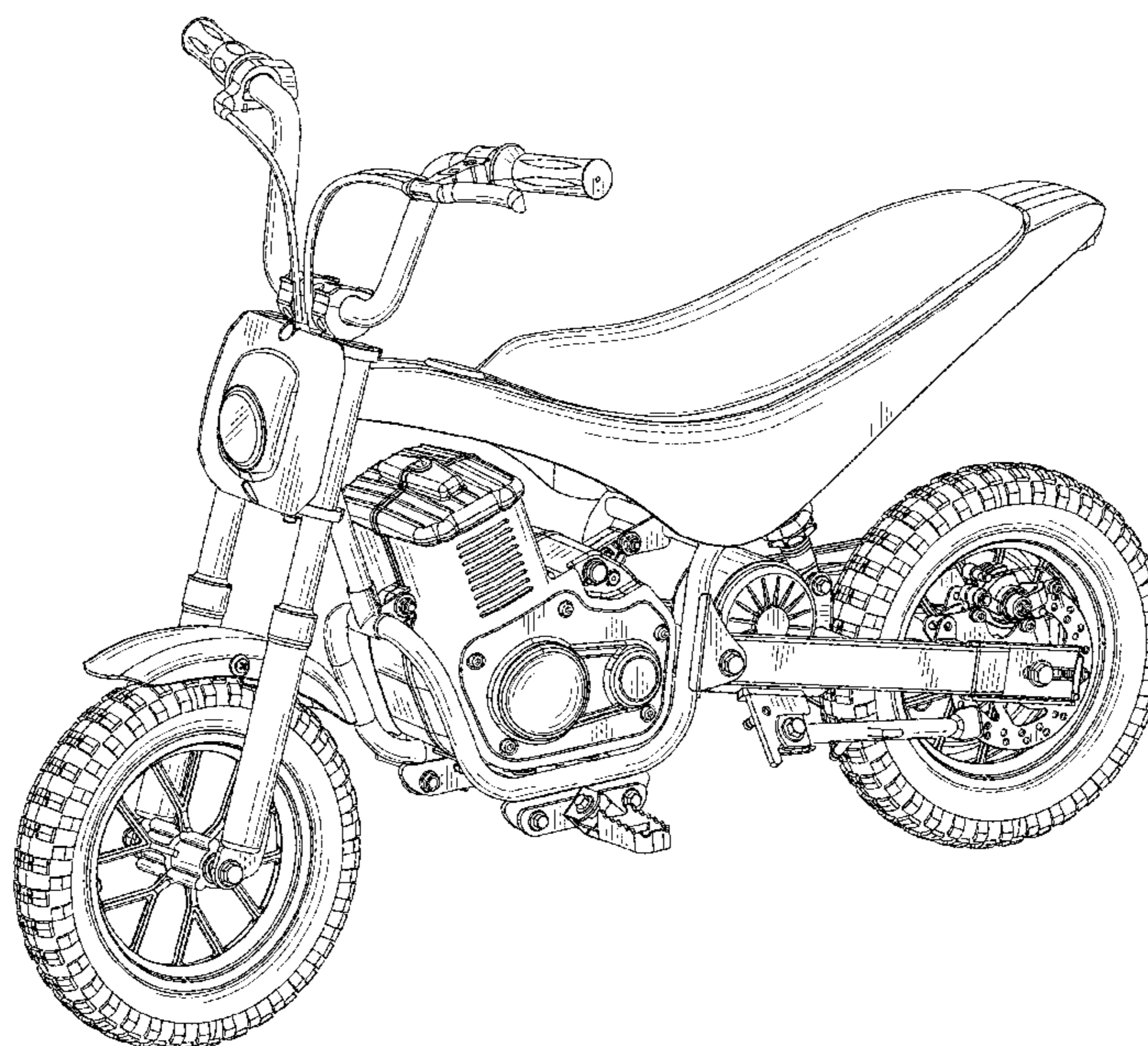
(57) **CLAIM**

The ornamental design for a motorcycle, as shown and described.

DESCRIPTION

FIG. 1 is a front and left side perspective view of a motorcycle showing my new design;
FIG. 2 is a rear and left side perspective view thereof;
FIG. 3 is a front and right side perspective view thereof;
FIG. 4 is a rear and right side perspective view thereof;
FIG. 5 is a left side elevation view thereof;
FIG. 6 is a right side elevation view thereof;
FIG. 7 is a front elevation view thereof;
FIG. 8 is a rear elevation view thereof; and,
FIG. 9 is a top plan view thereof.

1 Claim, 9 Drawing Sheets



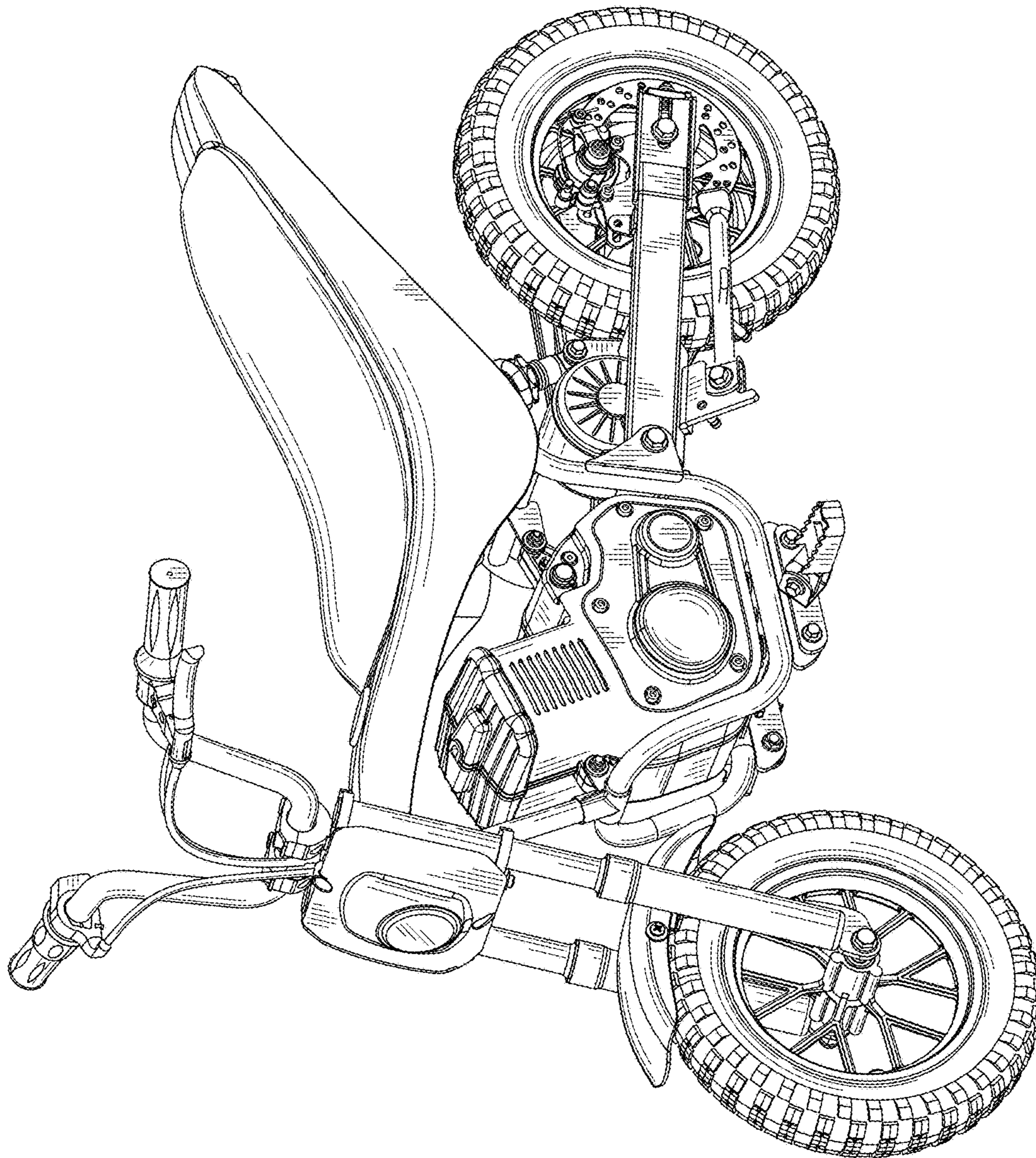


FIG. 1

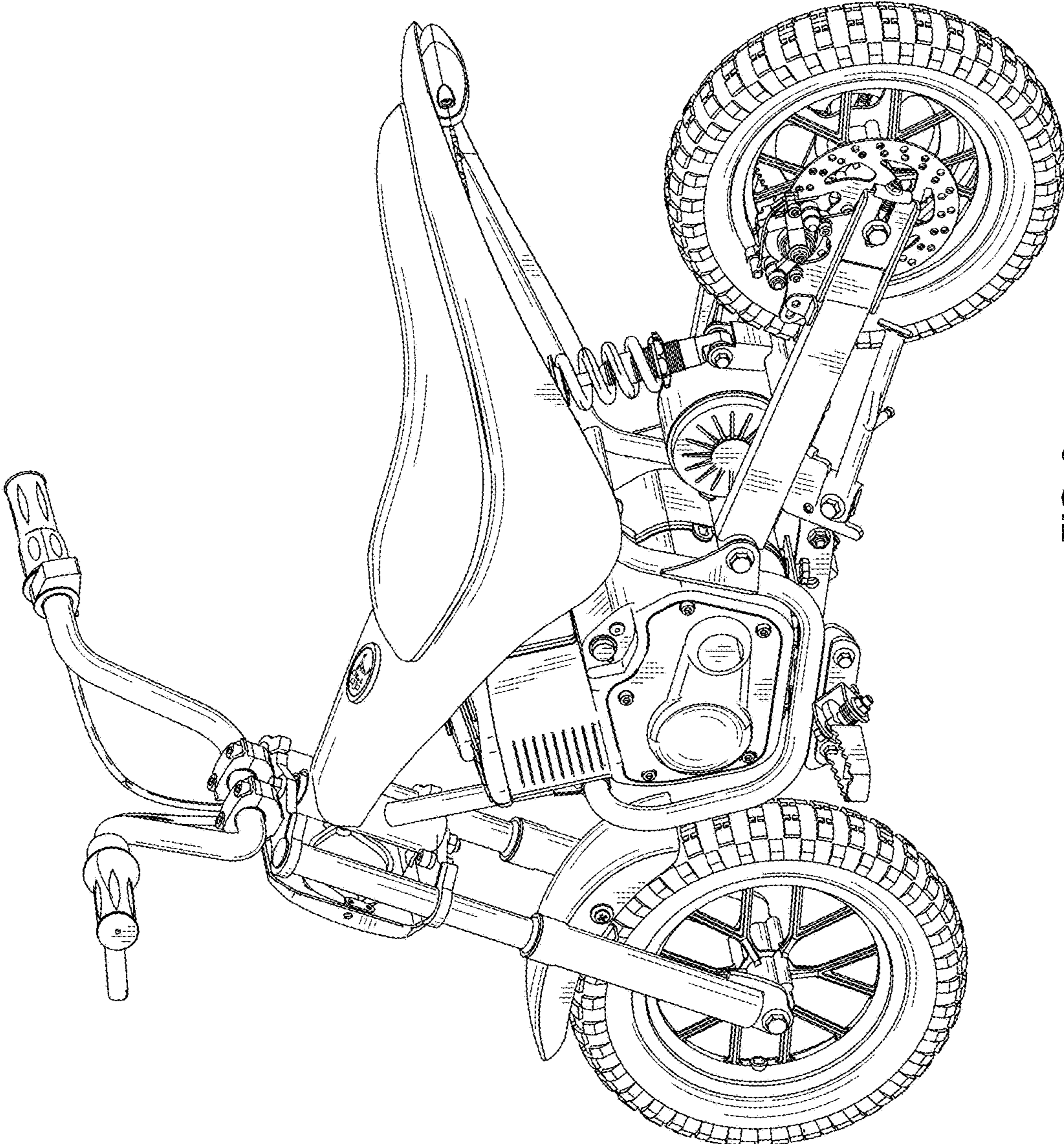


FIG. 2

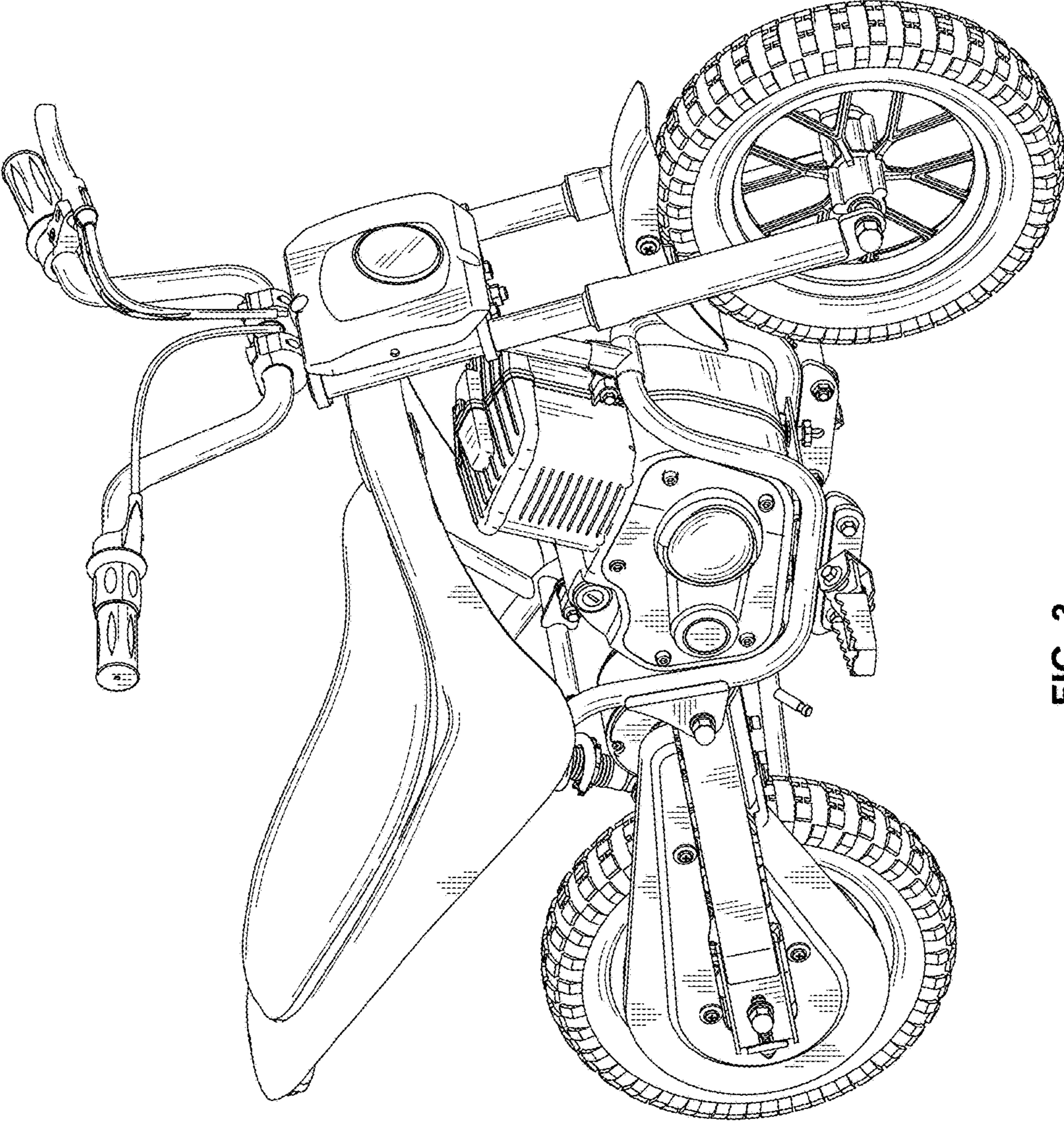


FIG. 3

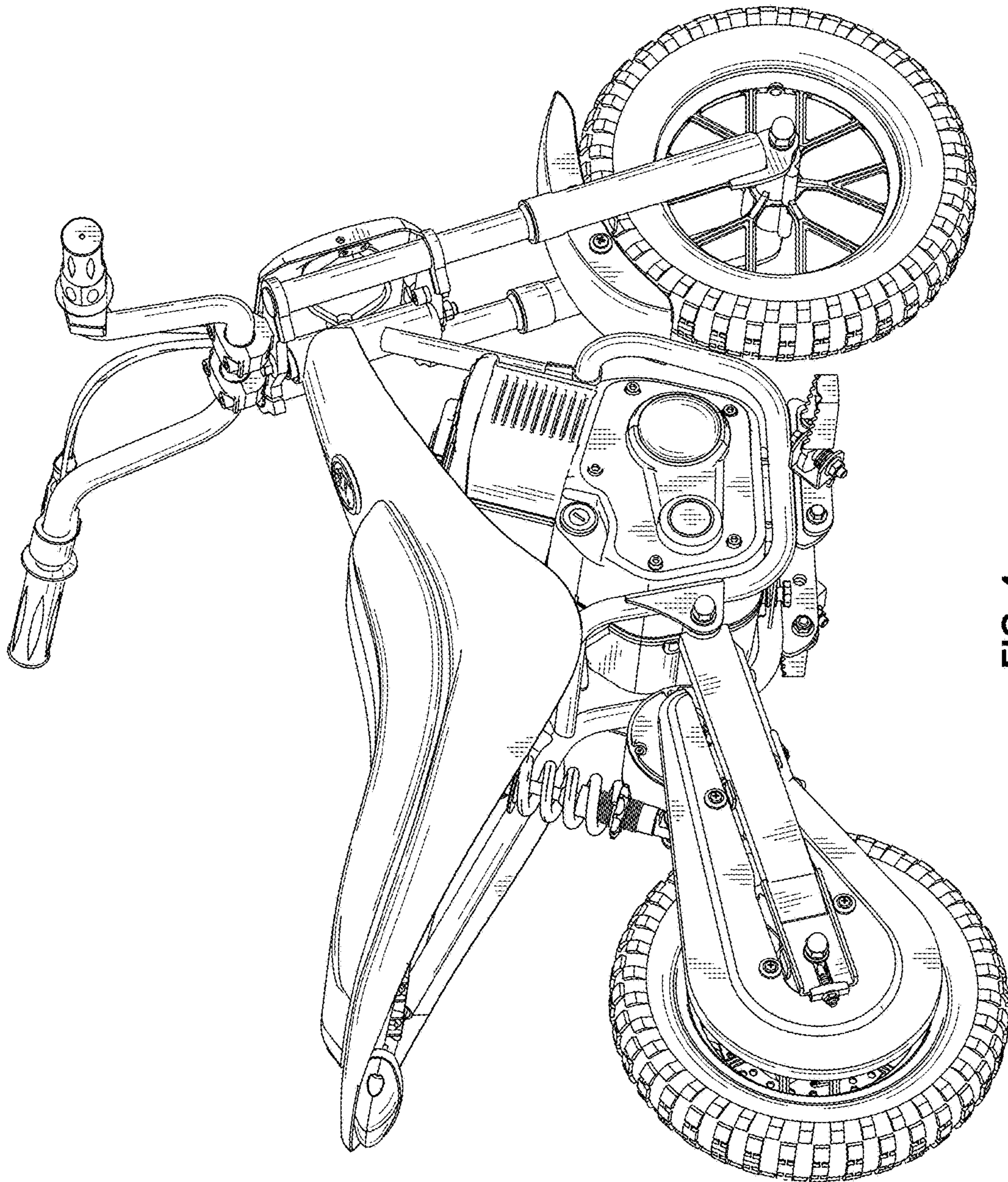


FIG. 4

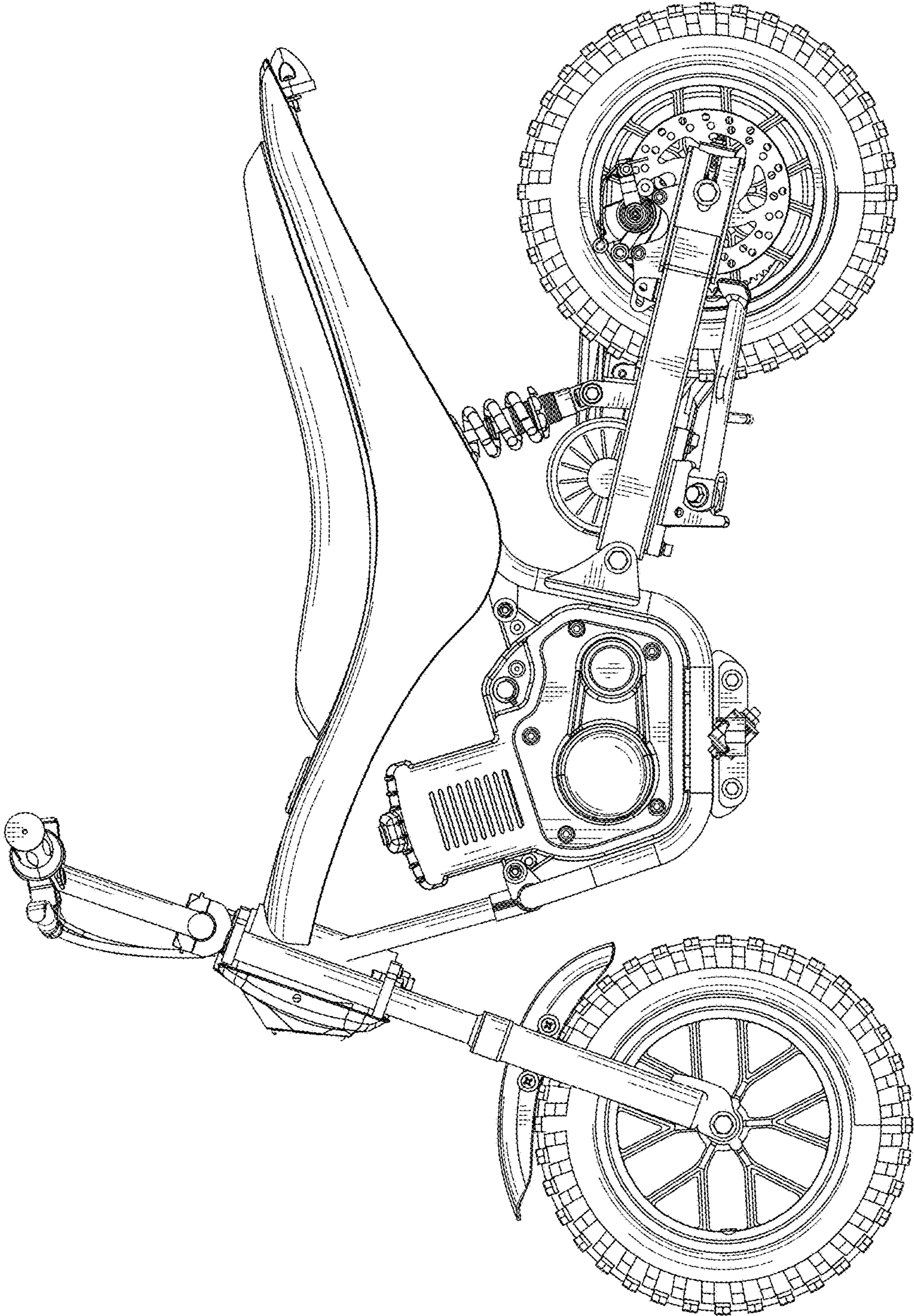


FIG. 5

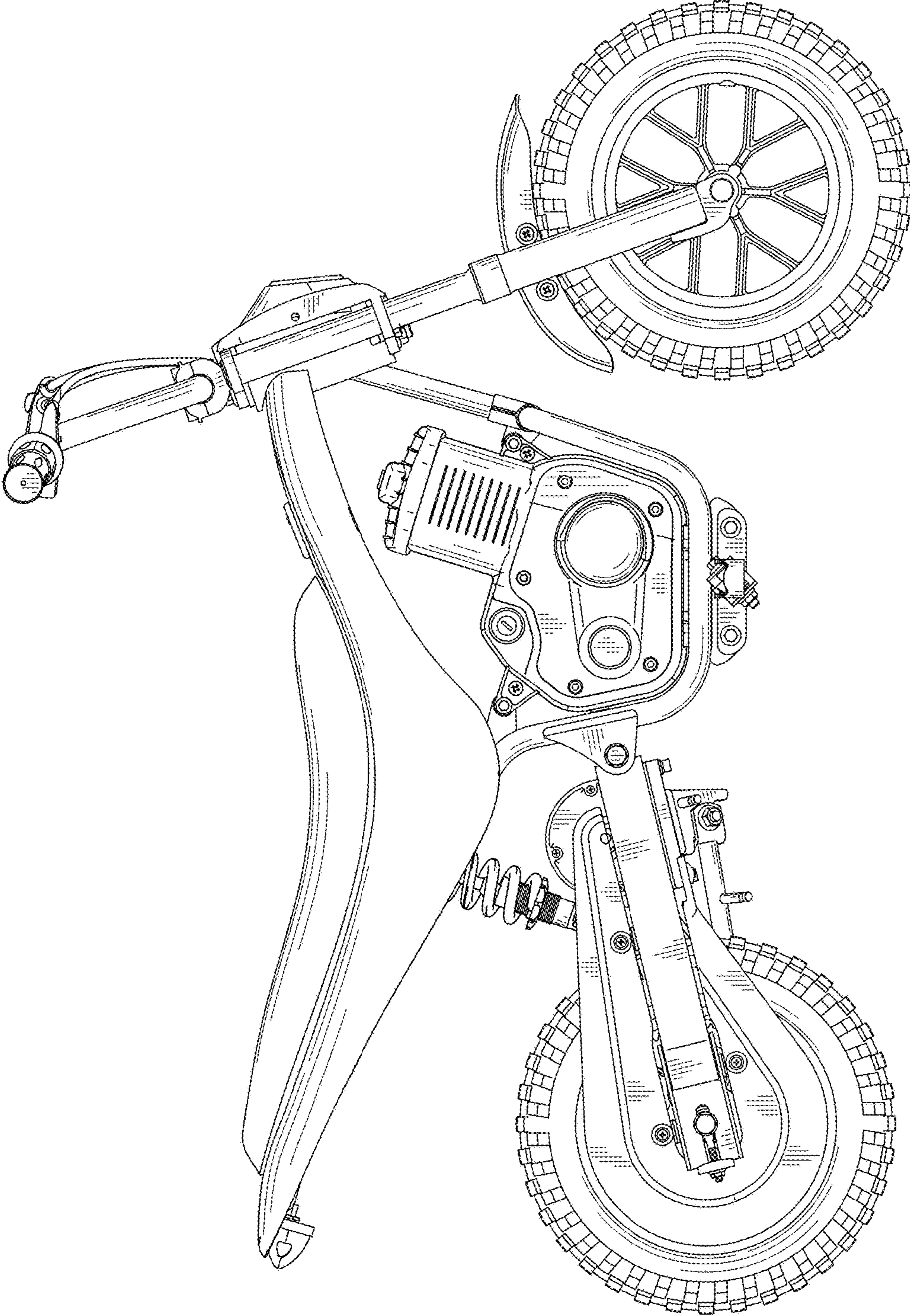


FIG. 6

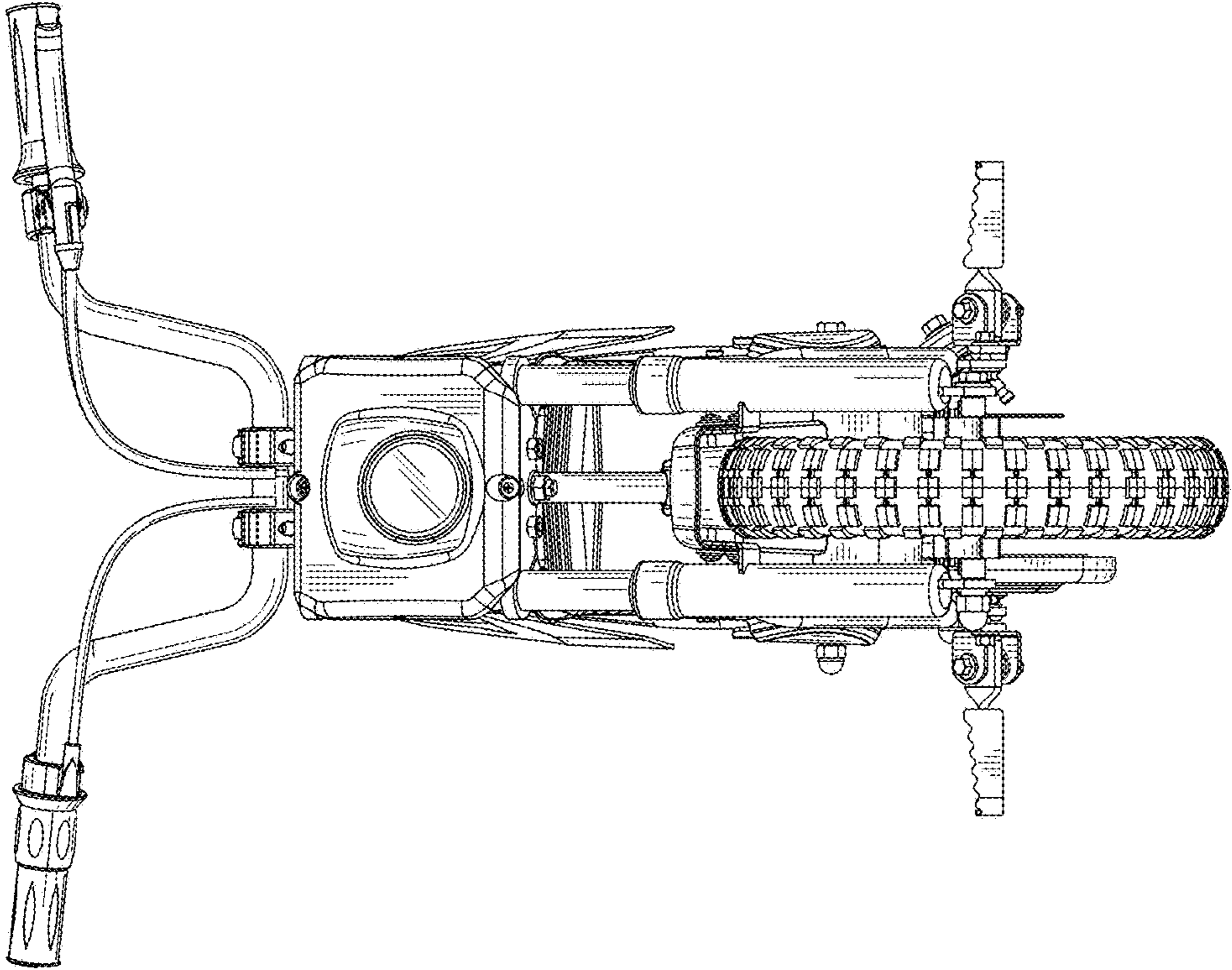


FIG. 7

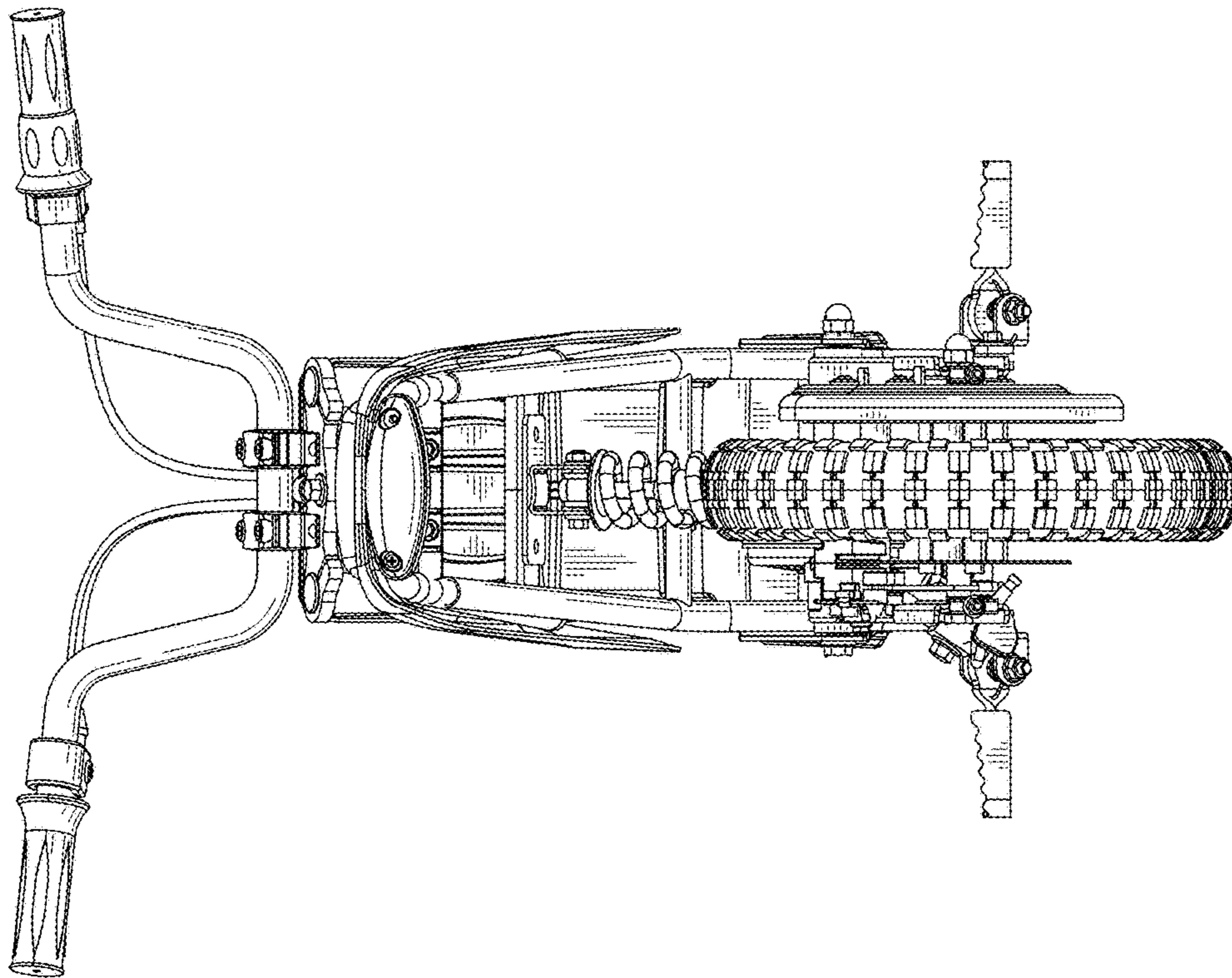


FIG. 8

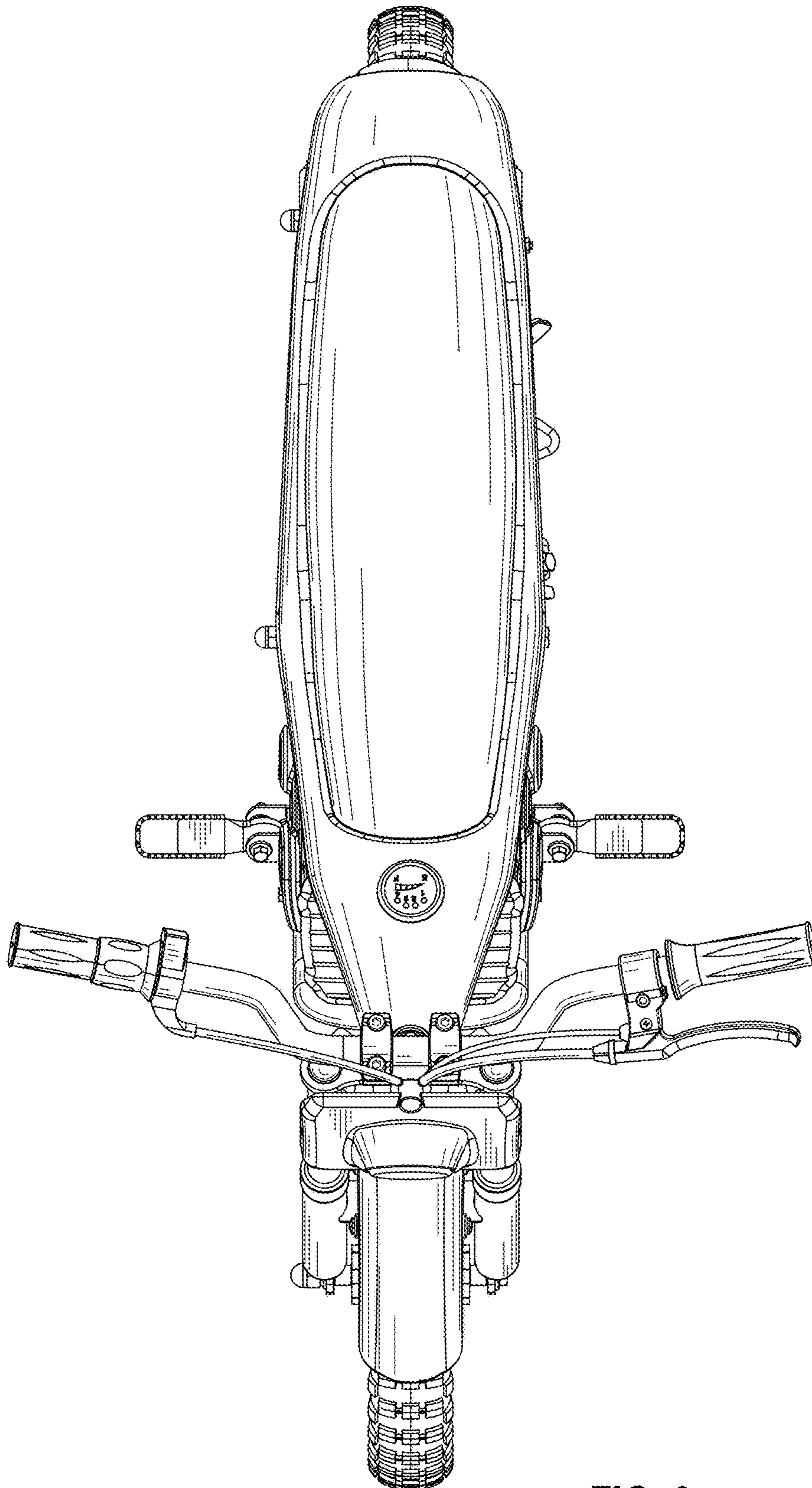


FIG. 9