



US00D820731S

(12) **United States Design Patent**
Suga et al.

(10) **Patent No.:** **US D820,731 S**
(45) **Date of Patent:** **** Jun. 19, 2018**

(54) **MOTOR VEHICLE AND/OR TOY REPLICA THEREOF**

D762,144 S * 7/2016 Nagafuchi D12/92
D781,183 S * 3/2017 Suga D12/92
D806,609 S * 1/2018 Lee D12/92

(71) Applicants: **Koichi Suga**, Toyota (JP); **Tsuneo Kanasugi**, Toyota (JP); **Hiroyuki Tada**, Nagoya (JP)

OTHER PUBLICATIONS

Toyota, Lexus LF-FC (2015), NetCarShow, <<https://www.netcarshow.com/lexus/2015-lf-fc-concept/>>, available at least as early as Jan. 28, 2016.

(72) Inventors: **Koichi Suga**, Toyota (JP); **Tsuneo Kanasugi**, Toyota (JP); **Hiroyuki Tada**, Nagoya (JP)

Mazda, Mazda-6 (2016), NetCarShow, <<http://www.netcarshow.com/mazda/2016-6/>>, available at least as early as Jan. 28, 2016.
Nissan, Infiniti Q70 (2015), NetCarShow, <<http://www.netcarshow.com/infiniti/2015-q70>>, available as early as Jan. 28, 2016.

(73) Assignee: **TOYOTA JIDOSHA KABUSHIKI KAISHA** (JP)

* cited by examiner

(**) Term: **15 Years**

Primary Examiner — Melody N Brown

(21) Appl. No.: **29/587,188**

(74) *Attorney, Agent, or Firm* — Saidman DesignLaw Group, LLC

(22) Filed: **Dec. 12, 2016**

(30) **Foreign Application Priority Data**

Jun. 14, 2016 (JP) 2016-012654

(51) **LOC (11) Cl.** **12-08**

(52) **U.S. Cl.**
USPC **D12/92**

(58) **Field of Classification Search**
USPC D12/86, 90-92, 88; D21/421, 433, 434;
296/181.1, 181.5
CPC B62D 35/00; B62D 25/00; B62D 25/06;
B62D 33/00
See application file for complete search history.

(57) **CLAIM**

The ornamental design for a motor vehicle and/or toy replica thereof, as shown and described.

DESCRIPTION

FIG. 1 is a right, front perspective view of a motor vehicle and/or toy replica thereof showing our new design;
FIG. 2 is a left, front perspective view thereof;
FIG. 3 is a left, rear perspective view thereof;
FIG. 4 is a right, rear perspective view thereof;
FIG. 5 is a front view thereof;
FIG. 6 is a rear view thereof;
FIG. 7 is a top view thereof;
FIG. 8 is a right side view thereof; and,
FIG. 9 is a left side view thereof.

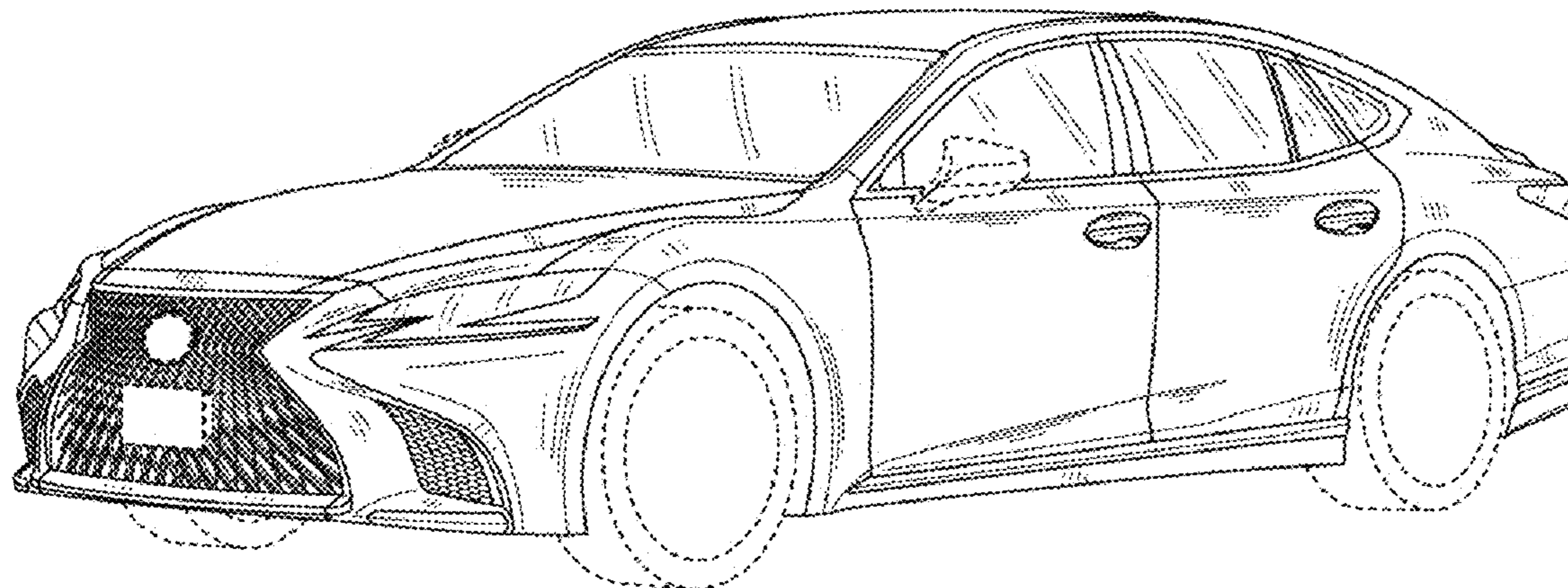
The broken lines illustrate structure or features which form no part of the claimed design.

(56) **References Cited**

U.S. PATENT DOCUMENTS

D743,845 S * 11/2015 Hirai D12/92
D761,696 S * 7/2016 Kamiura D12/92

1 Claim, 8 Drawing Sheets



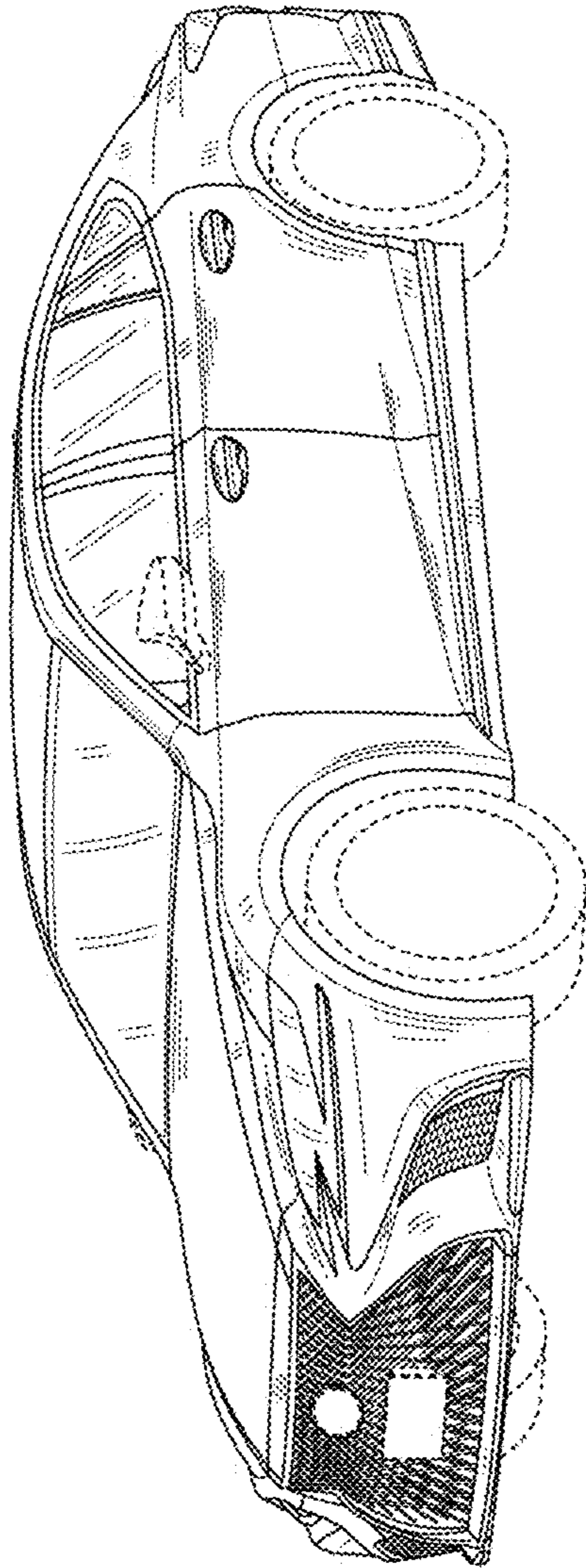


FIG. 1

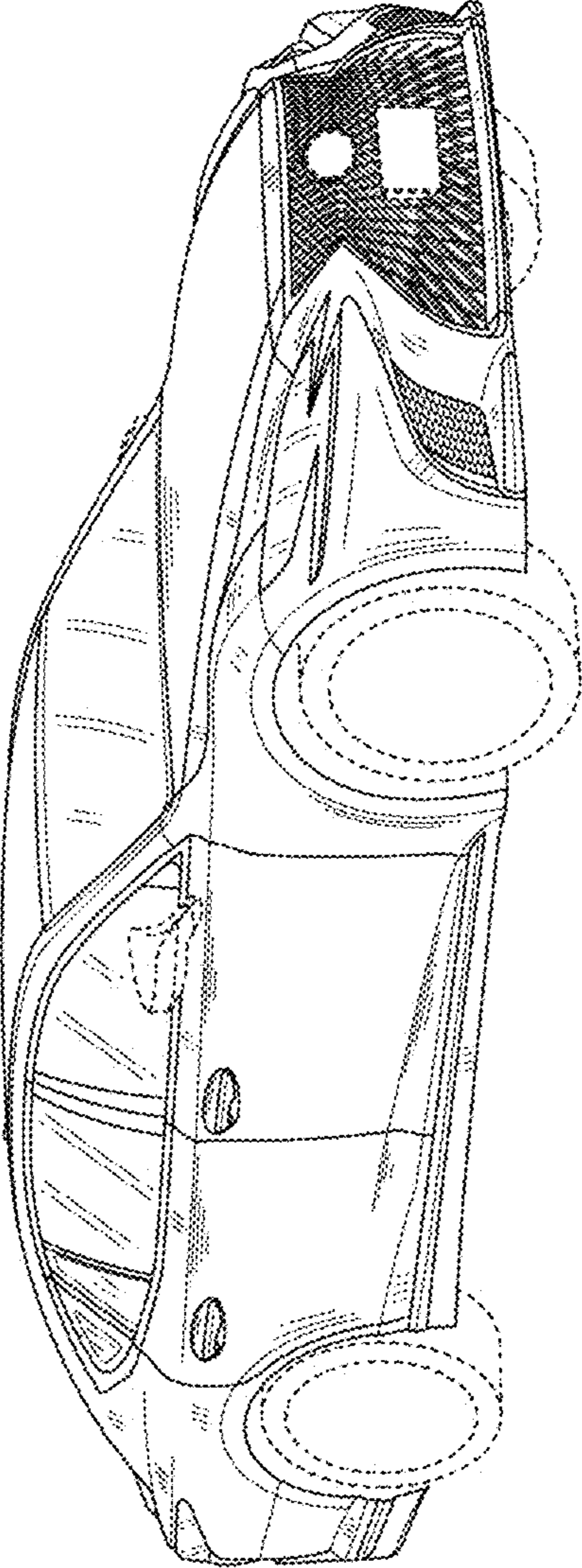


FIG. 2

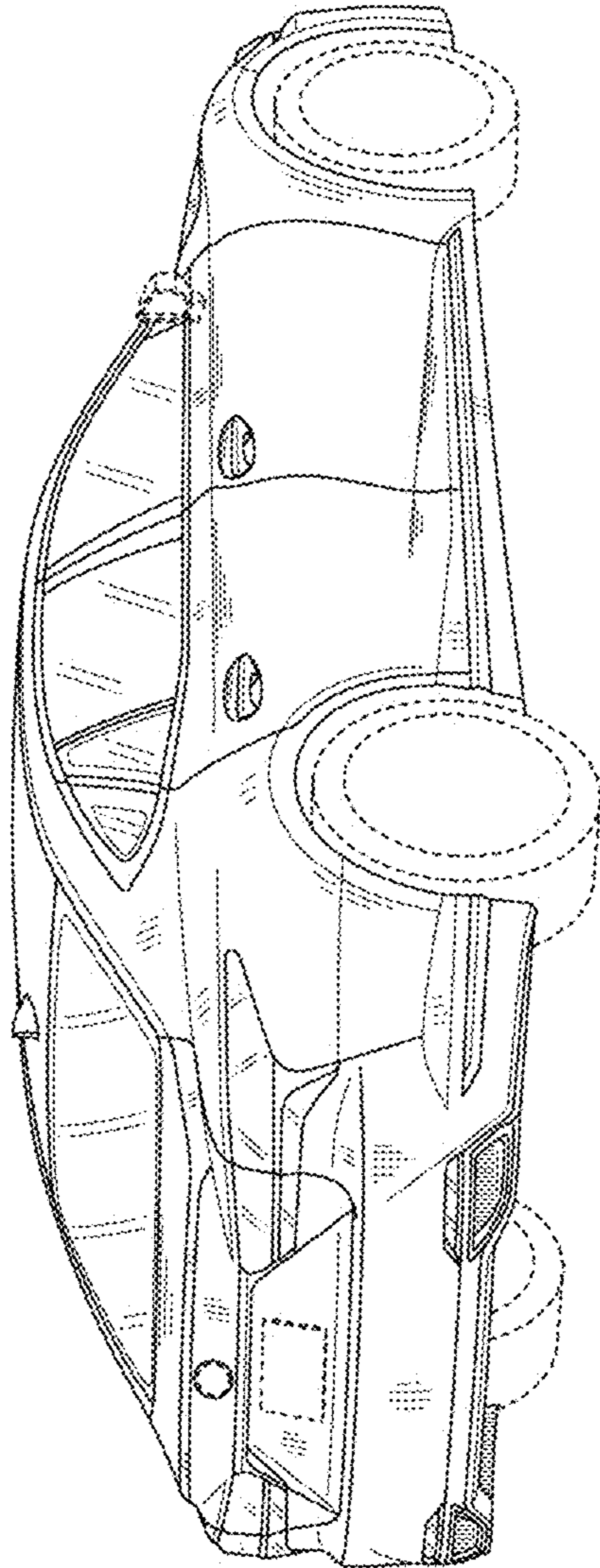


FIG. 3

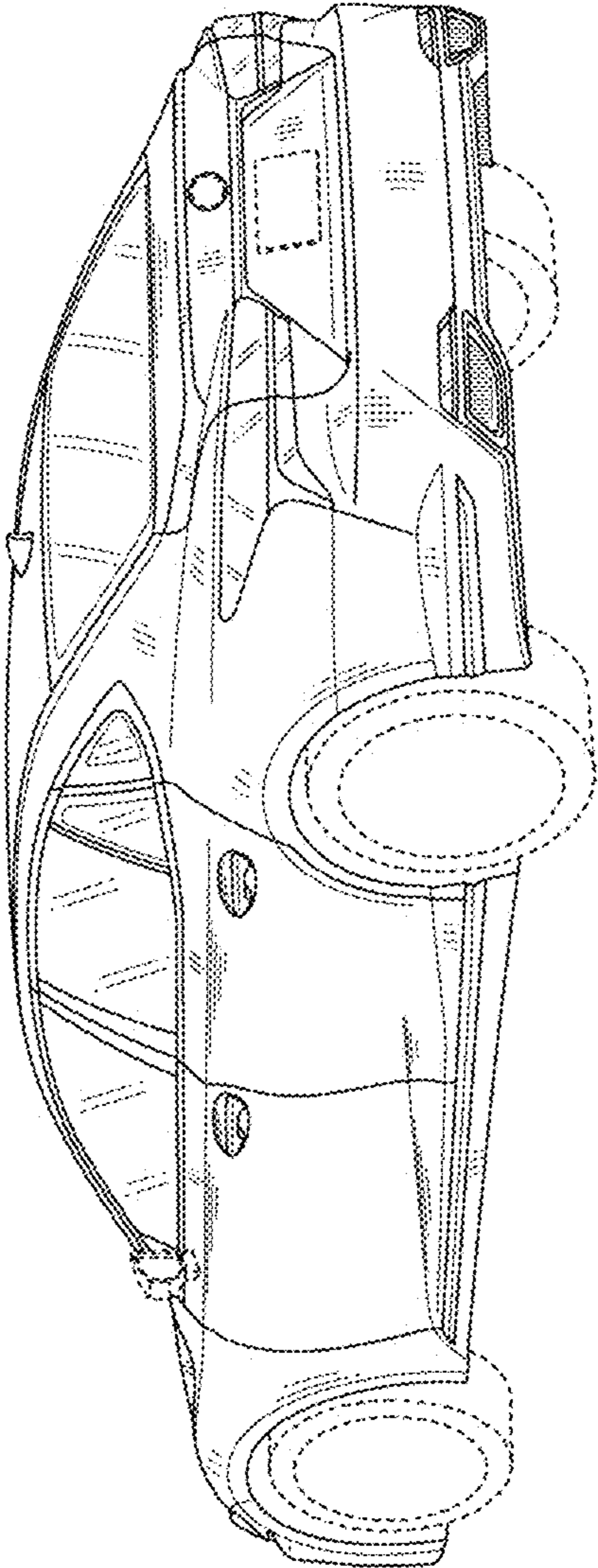


FIG. 4

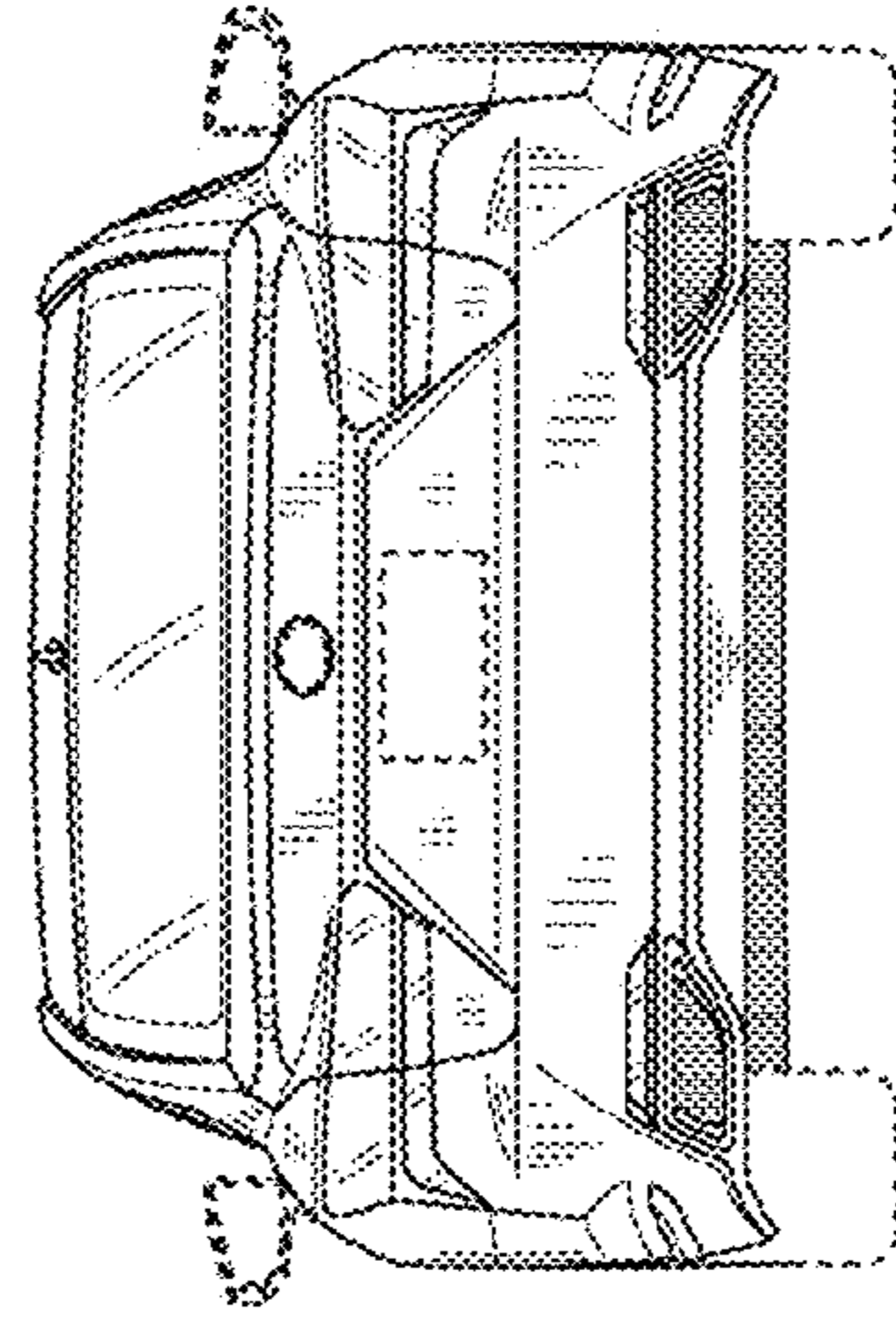


FIG. 5

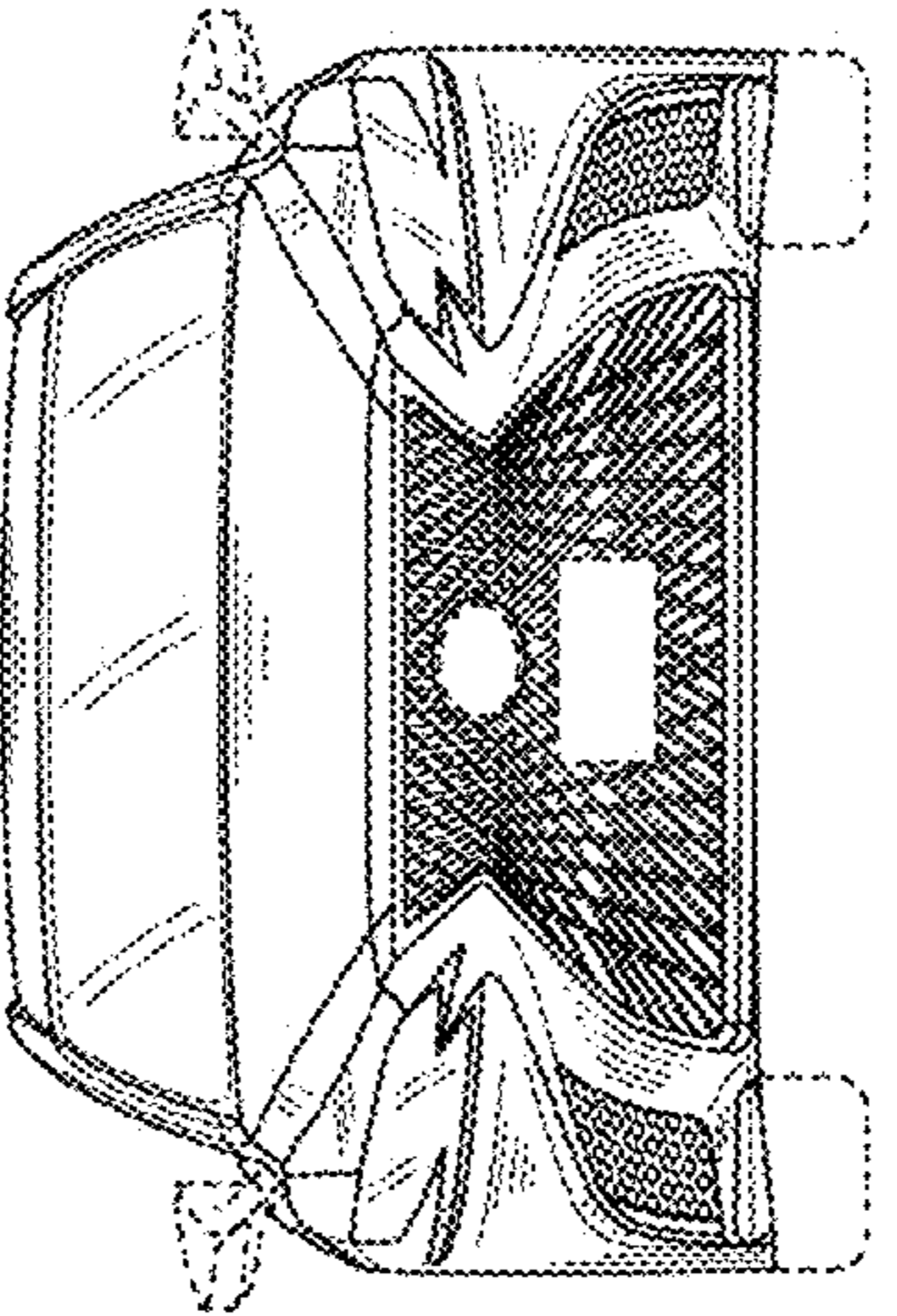


FIG. 6

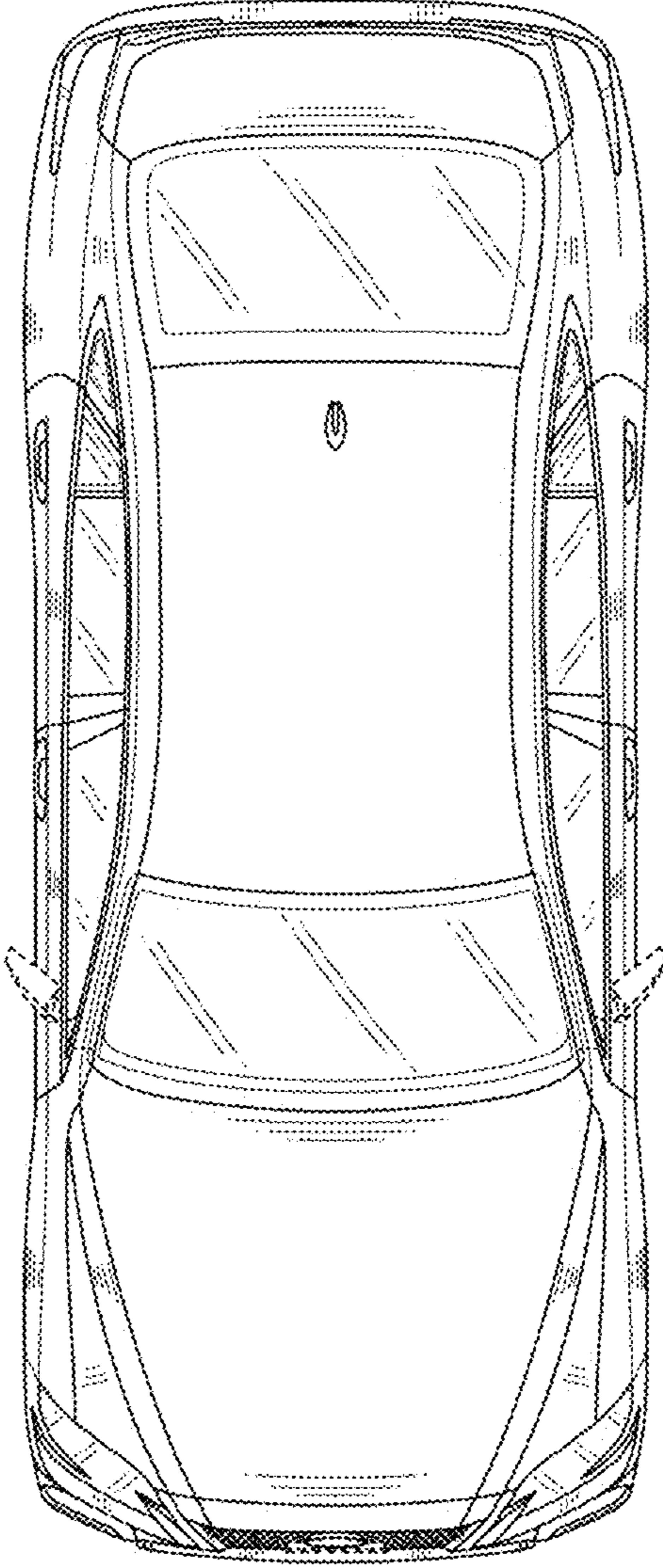


FIG. 7

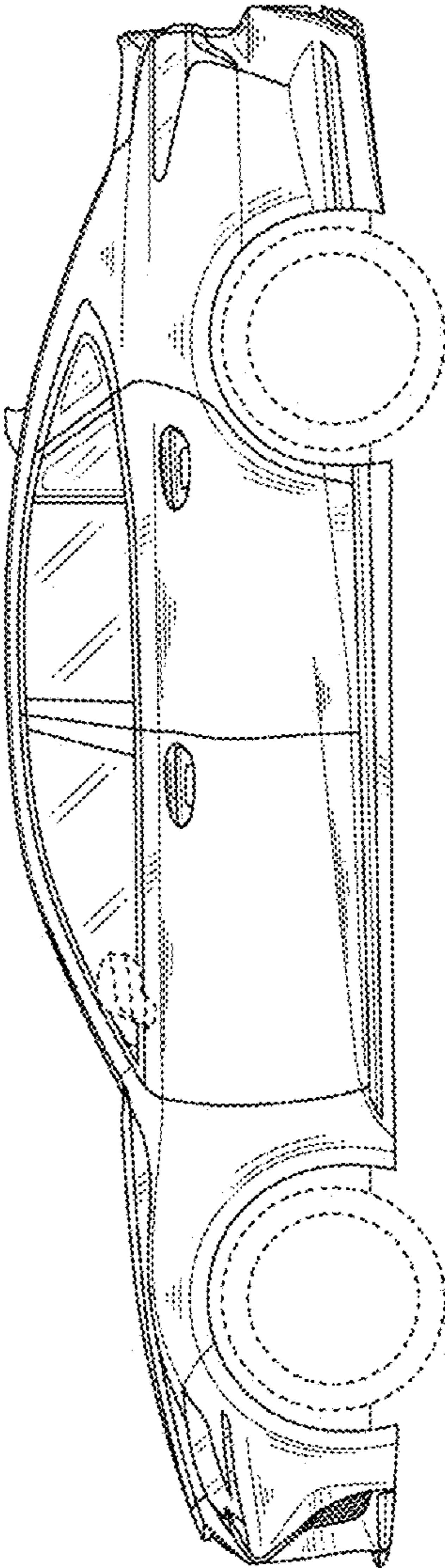


FIG. 8

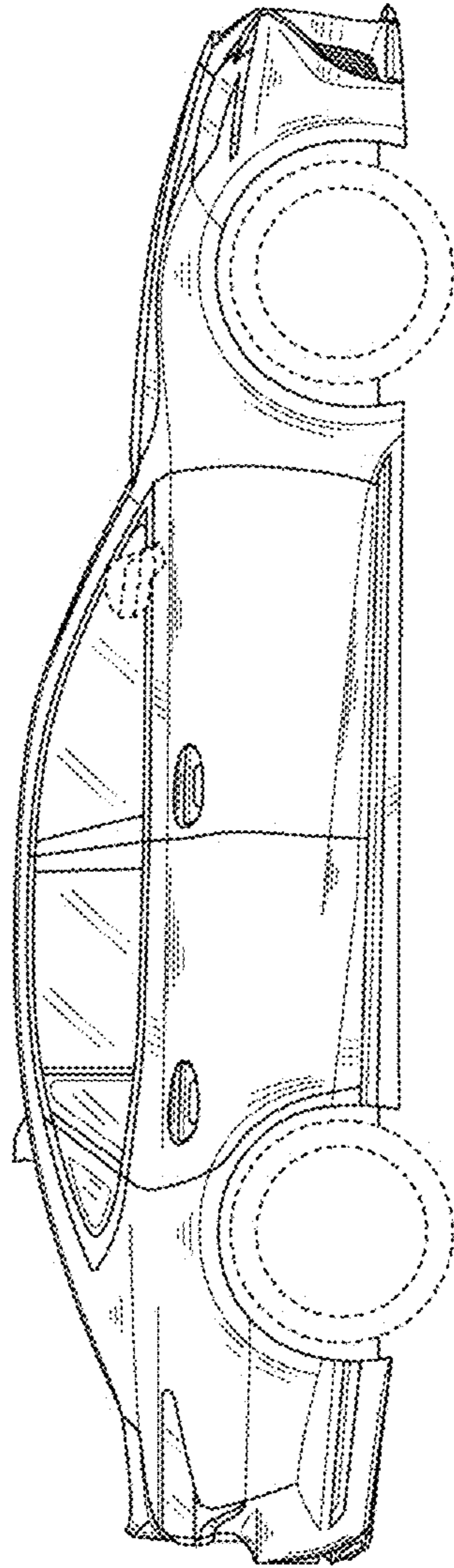


FIG. 9