



US00D820729S

(12) **United States Design Patent**
De Roeck

(10) **Patent No.:** **US D820,729 S**
(45) **Date of Patent:** **** Jun. 19, 2018**

- (54) **GO-KART**
- (71) Applicant: **The Chillafish Company, N.V.**,
Antwerp (BE)
- (72) Inventor: **Sebastian Annemie B De Roeck**,
Westmalle (BE)
- (73) Assignee: **The Chillafish Company, N.V.**,
Antwerp (BE)
- (**) Term: **15 Years**
- (21) Appl. No.: **29/599,352**
- (22) Filed: **Apr. 3, 2017**
- (30) **Foreign Application Priority Data**
Oct. 13, 2016 (EM) 003417492-0001
- (51) **LOC (11) Cl.** **12-08**
- (52) **U.S. Cl.**
USPC **D12/87; D21/426**
- (58) **Field of Classification Search**
USPC D12/1, 14, 86, 87, 88, 90, 91, 92;
D21/424, 425, 433
CPC B62D 21/10; B62D 21/183; B62D 63/02;
B60G 3/20; B60G 11/15; B60K 20/06
See application file for complete search history.

- D452,188 S * 12/2001 Hettich D12/86
- D453,710 S * 2/2002 Hettich D12/86
- D500,707 S * 1/2005 Lu D12/87
- D503,658 S * 4/2005 Lu D12/87
- D512,467 S * 12/2005 Hadley D21/424
- D535,215 S * 1/2007 Turner D12/87
- 7,380,805 B1 * 6/2008 Turner B60G 3/20
280/124.13
- D574,297 S * 8/2008 Carl D12/87
- D682,739 S * 5/2013 Patterson D12/87
- D692,505 S * 10/2013 Jiang D12/112
- D692,506 S * 10/2013 Jiang D12/112
- D705,127 S * 5/2014 Patterson D12/87
- D705,128 S * 5/2014 Patterson D12/87
- D771,196 S * 11/2016 Chen D21/424
- D774,981 S * 12/2016 Chen D12/112
- D778,369 S * 2/2017 Douma D12/87
- D793,480 S * 8/2017 Chen D21/424
- D793,481 S * 8/2017 Kermani D21/426
- D793,912 S * 8/2017 Kermani D12/112

* cited by examiner

Primary Examiner — Darlington Ly
(74) *Attorney, Agent, or Firm* — Kirschstein, Israel,
Schiffmiller & Pieroni, P.C.

(56) **References Cited**

U.S. PATENT DOCUMENTS

- 4,896,899 A * 1/1990 Lawrence B60B 5/02
152/409
- 5,855,386 A * 1/1999 Atkins B60G 3/06
180/400
- 5,961,135 A * 10/1999 Smock B60G 7/008
180/227
- D432,186 S * 10/2000 Kuo D21/433
- 6,170,596 B1 * 1/2001 Triarsi B60K 20/06
180/291
- D442,119 S * 5/2001 Murata D12/86

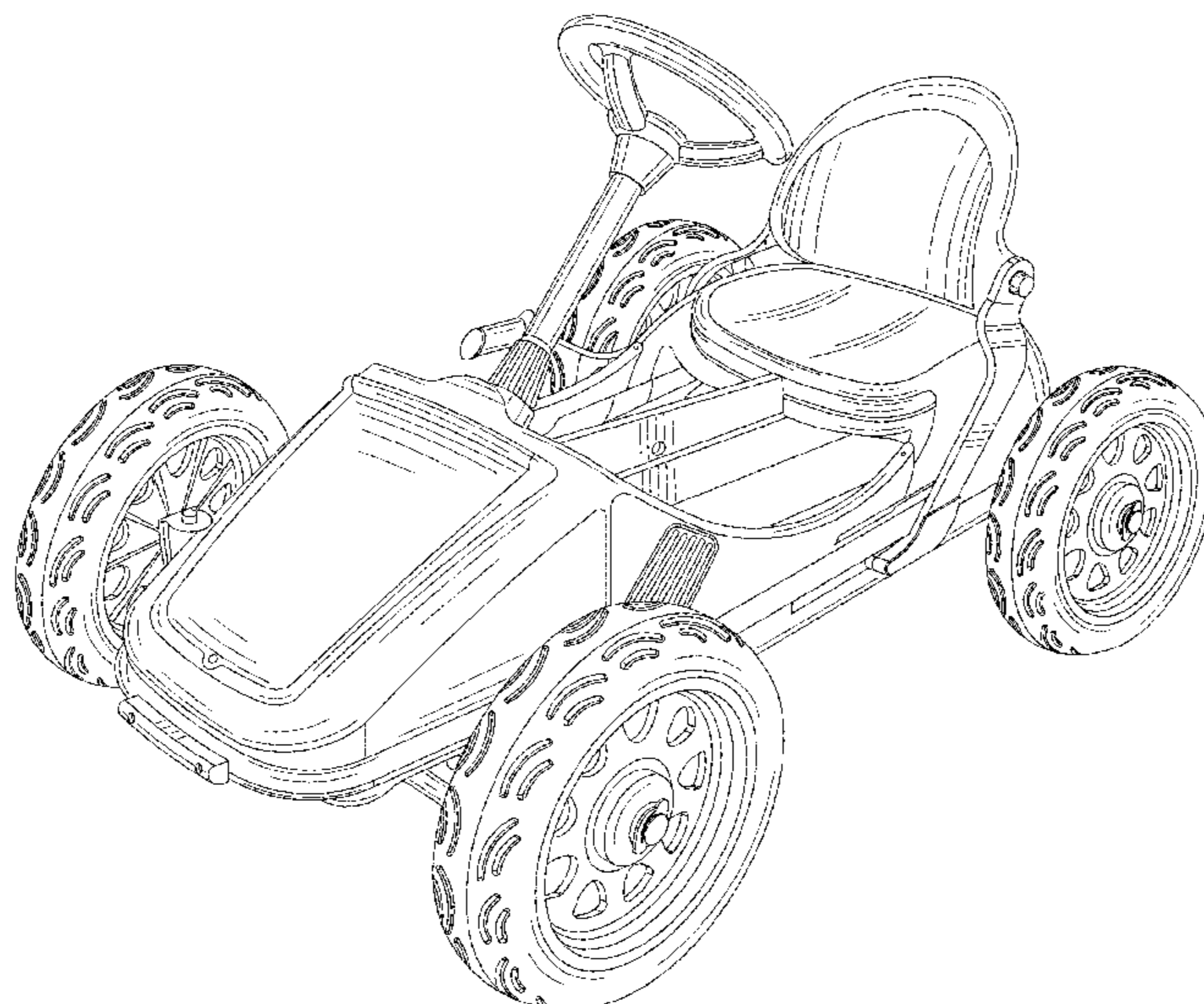
(57) **CLAIM**

The ornamental design for a go-kart, as shown and described.

DESCRIPTION

FIG. 1 is a top, front, and left side perspective view of a go-kart showing my new design;
FIG. 2 is a top, rear, and right side perspective view thereof;
FIG. 3 is a front elevation view thereof;
FIG. 4 is a rear elevation view thereof;
FIG. 5 is a right side elevation view thereof;
FIG. 6 is a left side elevation view thereof; and,
FIG. 7 is a top plan view thereof.

1 Claim, 7 Drawing Sheets



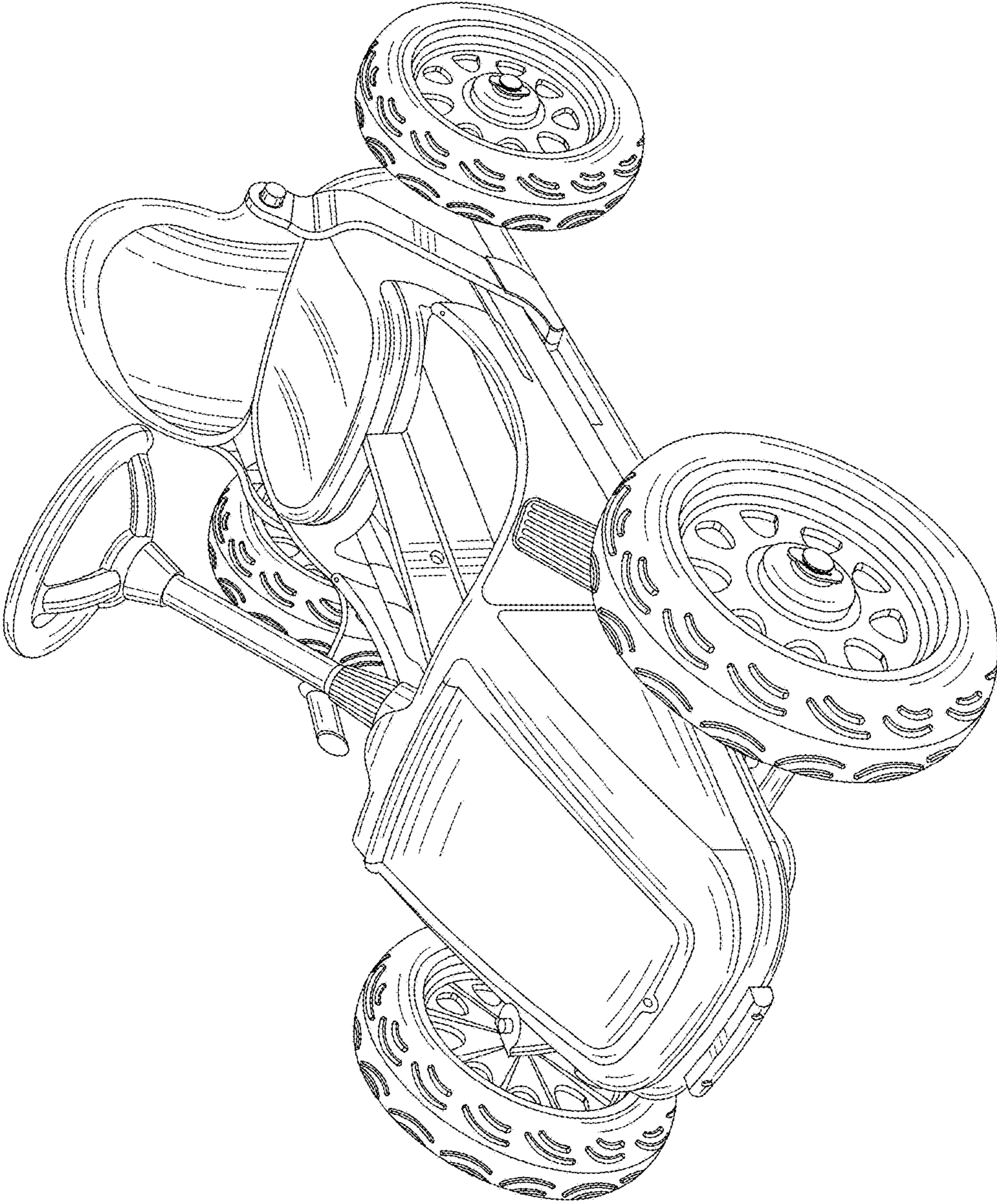


FIG. 1

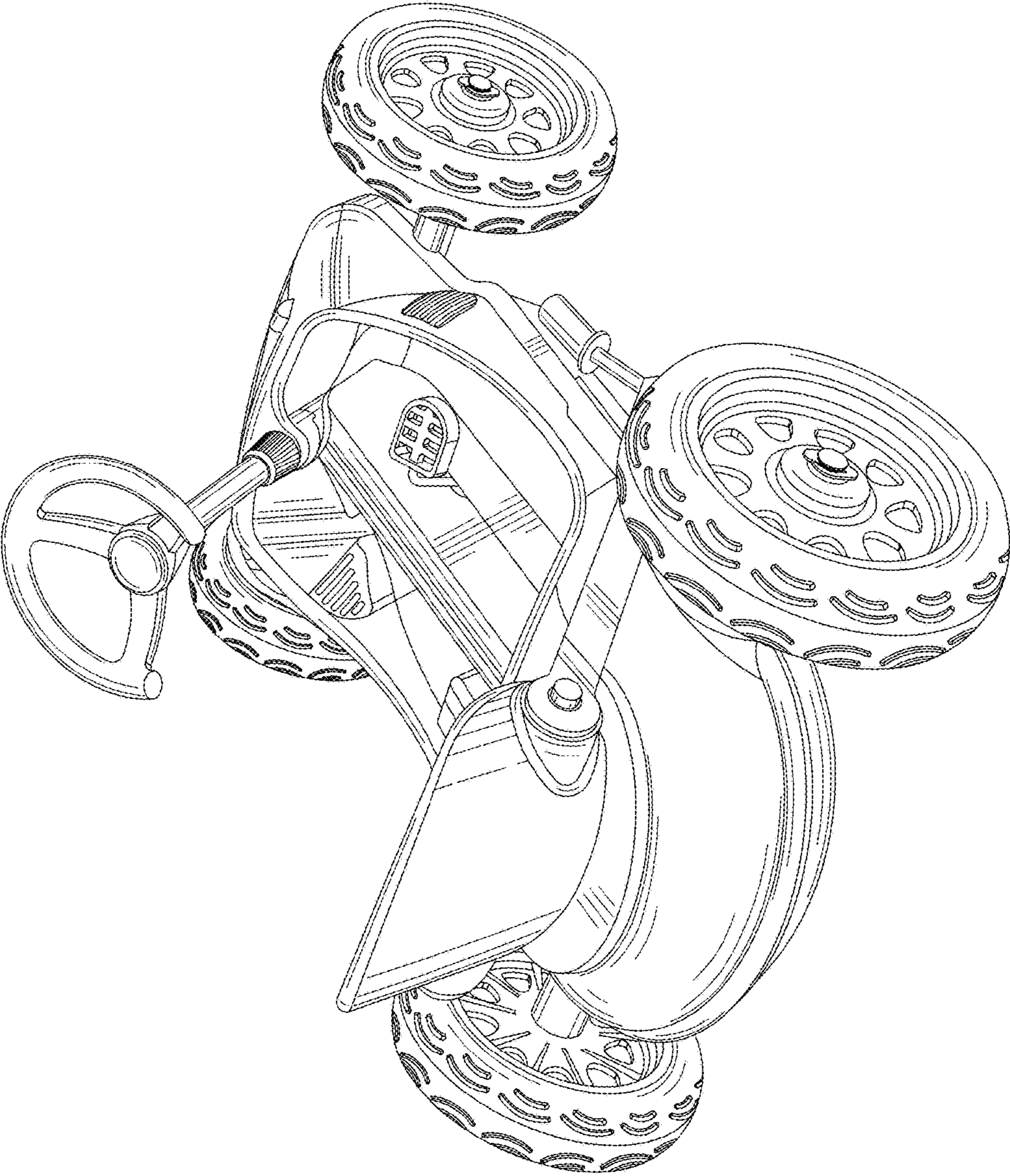


FIG. 2

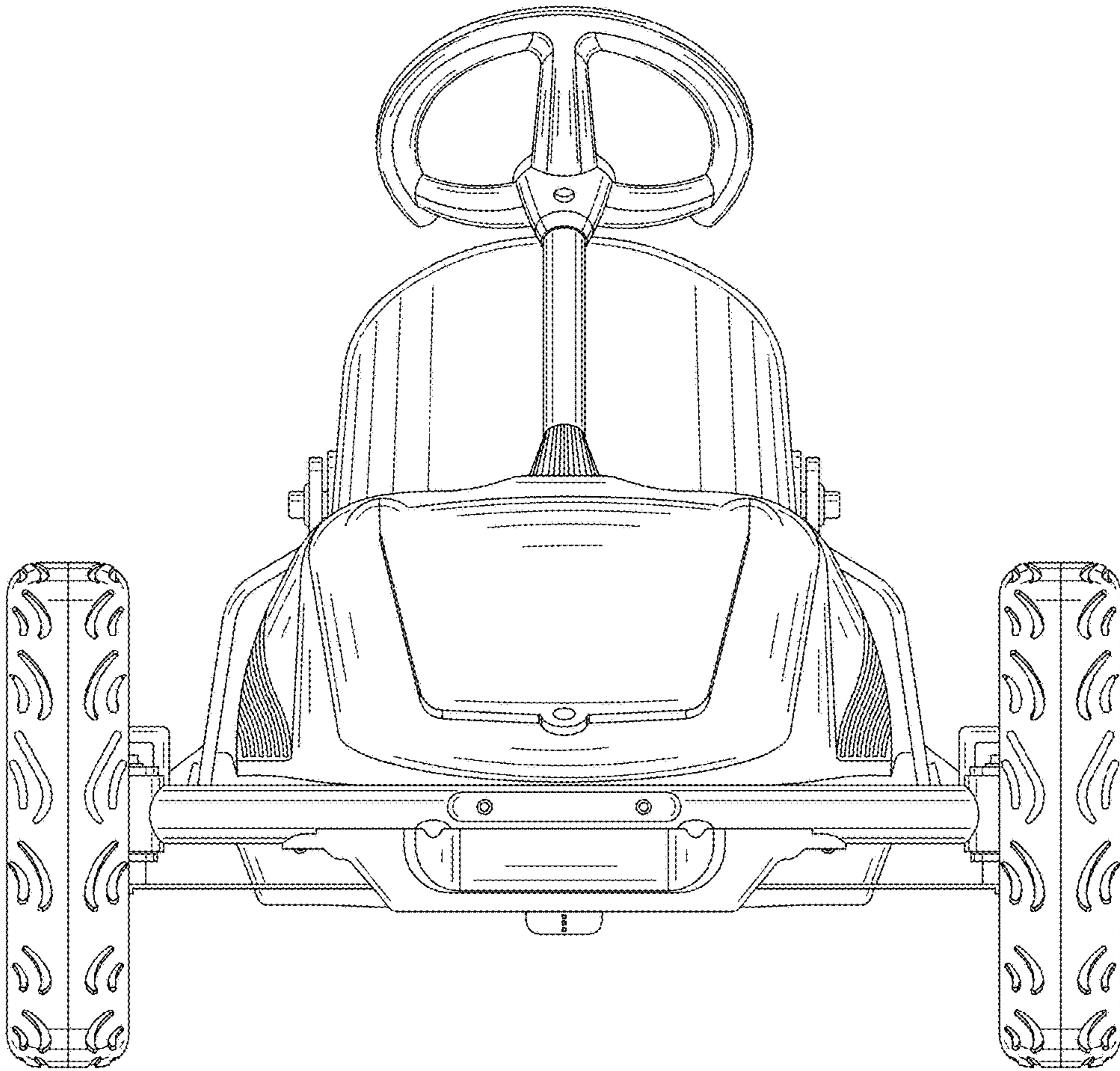


FIG. 3

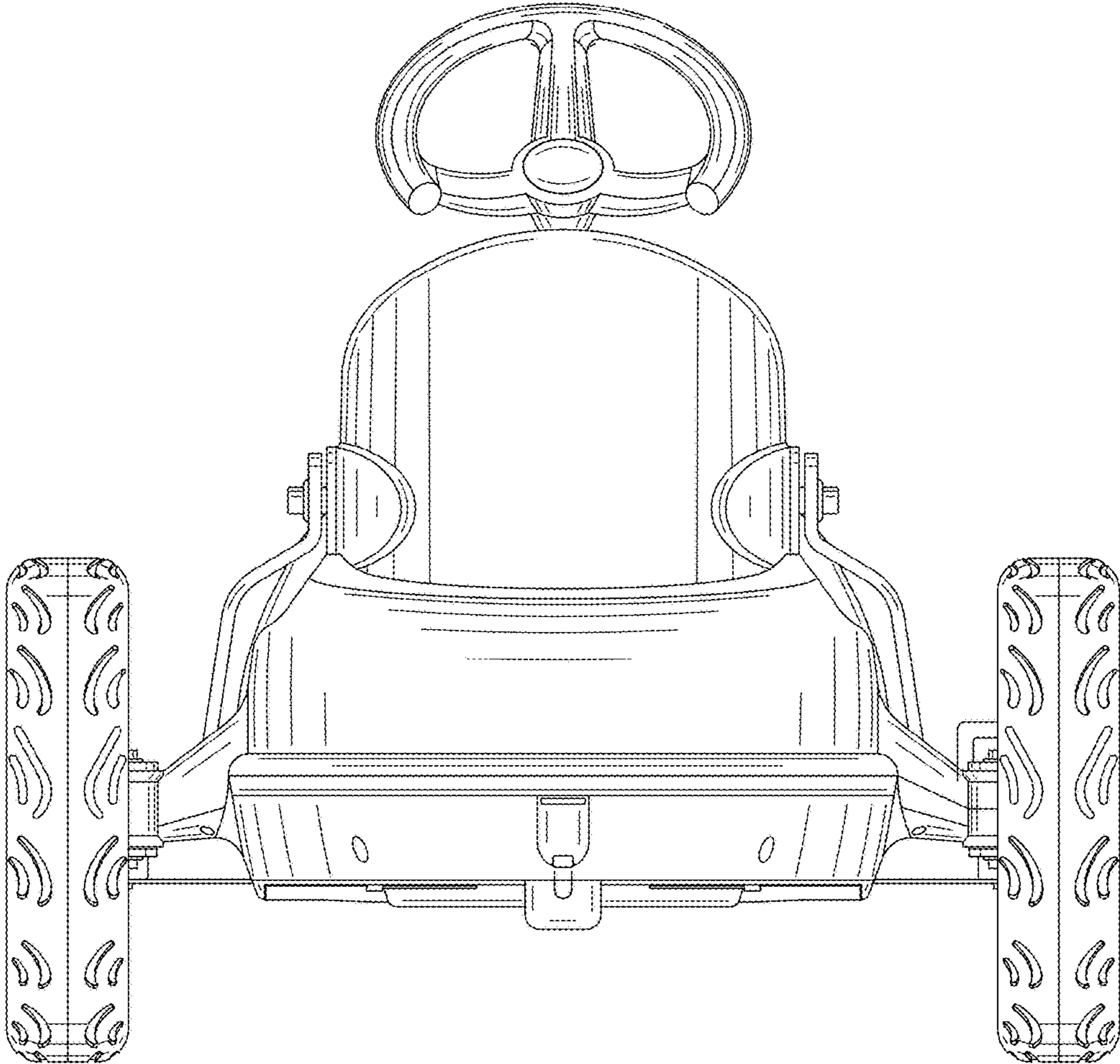


FIG. 4

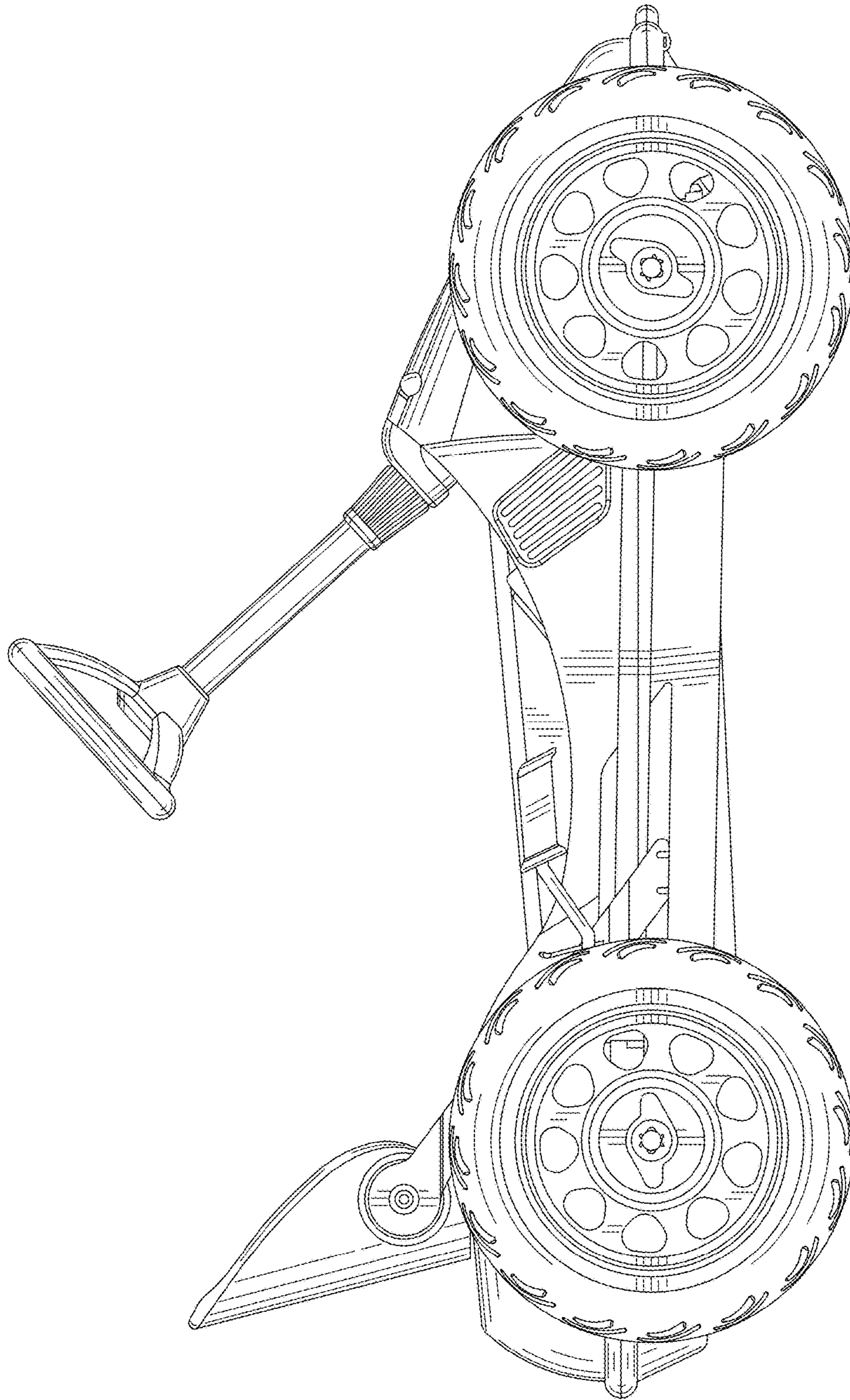


FIG. 5

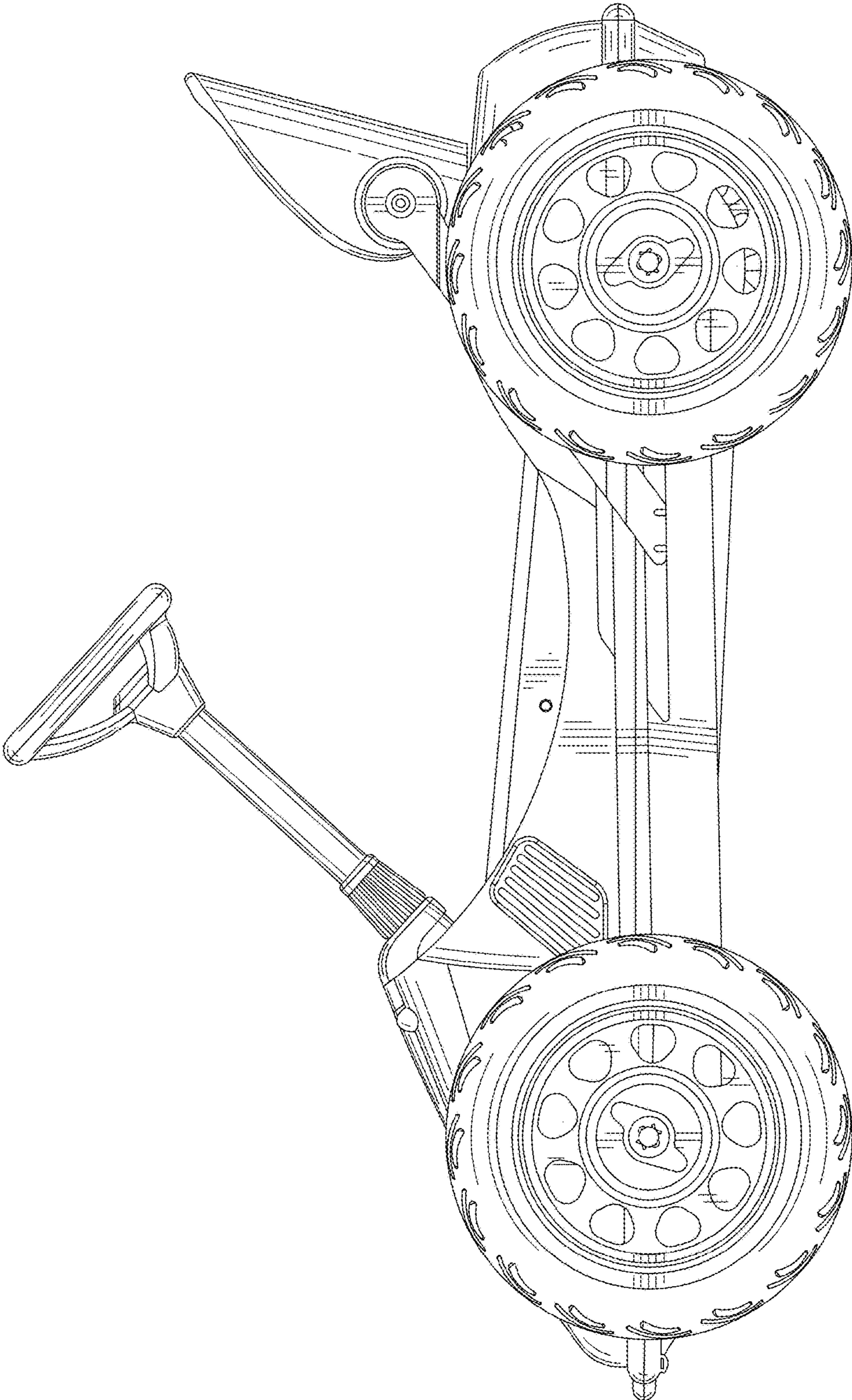


FIG. 6

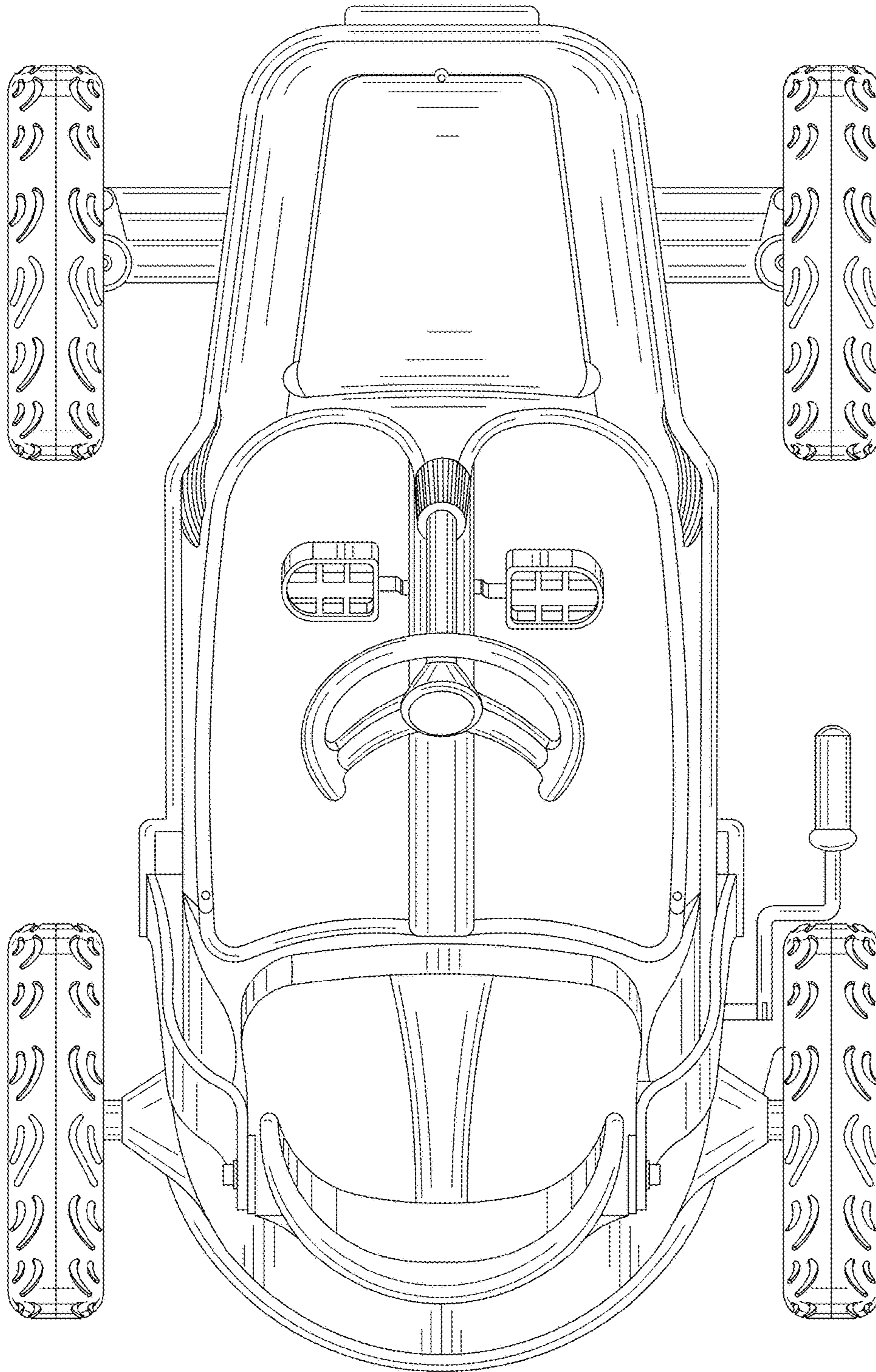


FIG. 7