



US00D820728S

(12) **United States Design Patent**
Hung et al.

(10) **Patent No.:** **US D820,728 S**
(45) **Date of Patent:** **** Jun. 19, 2018**

(54) **ZIP TEETH**

(71) Applicant: **IDEAL FASTENER (GUANG DONG) INDUSTRIES LTD.,**
Zhaoqing, Guangdong Province (CN)

(72) Inventors: **Franklin Chi Yen Hung,** Zhaoqing (CN); **Guoliang Qiu,** Zhaoqing (CN); **Wei Qiu,** Zhaoqing (CN); **Zongjian Lyu,** Zhaoqing (CN); **Jianan Zeng,** Zhaoqing (CN)

(73) Assignee: **IDEAL FASTENER (GUANG DONG) INDUSTRIES LTD.,**
Zhaoqing (CN)

(**) Term: **15 Years**

(21) Appl. No.: **29/607,715**

(22) Filed: **Jun. 15, 2017**

(30) **Foreign Application Priority Data**

Mar. 31, 2017 (CN) 2017 3 0103455

(51) **LOC (11) Cl.** **02-07**

(52) **U.S. Cl.**
USPC **D11/221**

(58) **Field of Classification Search**
USPC D11/200, 201, 221; 24/381–383,
24/385–389, 414–417, 421–422, 427–431,
24/433; 2/265; D2/641, 642; 294/3.6;
223/118; D8/33, 34, 40
CPC A44B 19/00; A44B 19/02; A44B 19/04;
A44B 19/10; A44B 19/26; A44B 19/30;
A44B 19/06; A44B 19/34; A44B 19/40;
A44B 19/52; G02C 3/003; A44H 37/06

See application file for complete search history.

(56) **References Cited**

U.S. PATENT DOCUMENTS

D732,424 S * 6/2015 Ng D11/221
D732,425 S * 6/2015 Ng D11/221
D740,119 S * 10/2015 Smith D9/500
D741,748 S * 10/2015 Ng D11/221

* cited by examiner

Primary Examiner — Ralf Seifert

(74) *Attorney, Agent, or Firm* — Hauptman Ham, LLP

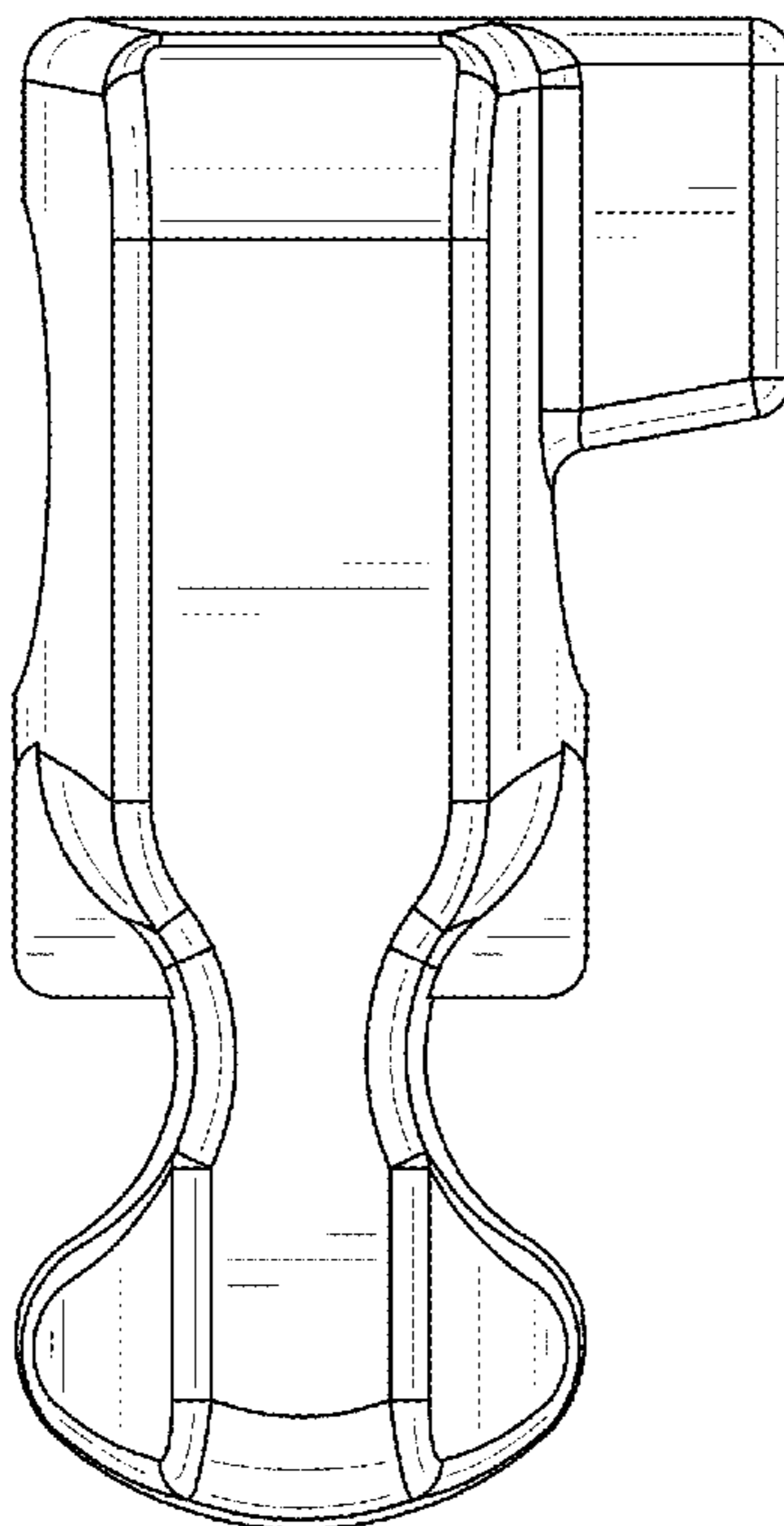
(57) **CLAIM**

A new, original, ornamental design for zip teeth, as shown.

DESCRIPTION

FIG. 1 is a front view of zip teeth;
FIG. 2 is a left side view thereof;
FIG. 3 is a back view thereof;
FIG. 4 is a right side view thereof;
FIG. 5 is a top view thereof;
FIG. 6 is a bottom view thereof;
FIG. 7 is a front-top-right perspective view thereof;
FIG. 8 is a front-top-left perspective view thereof;
FIG. 9 is a back-bottom-right perspective view thereof;
FIG. 10 is a front view thereof when the zip teeth is meshed with other zip teeth; and,
FIG. 11 is a back-bottom-right perspective view thereof when the zip teeth is meshed other zip teeth.
The broken lines form no part of the claimed design.

1 Claim, 11 Drawing Sheets



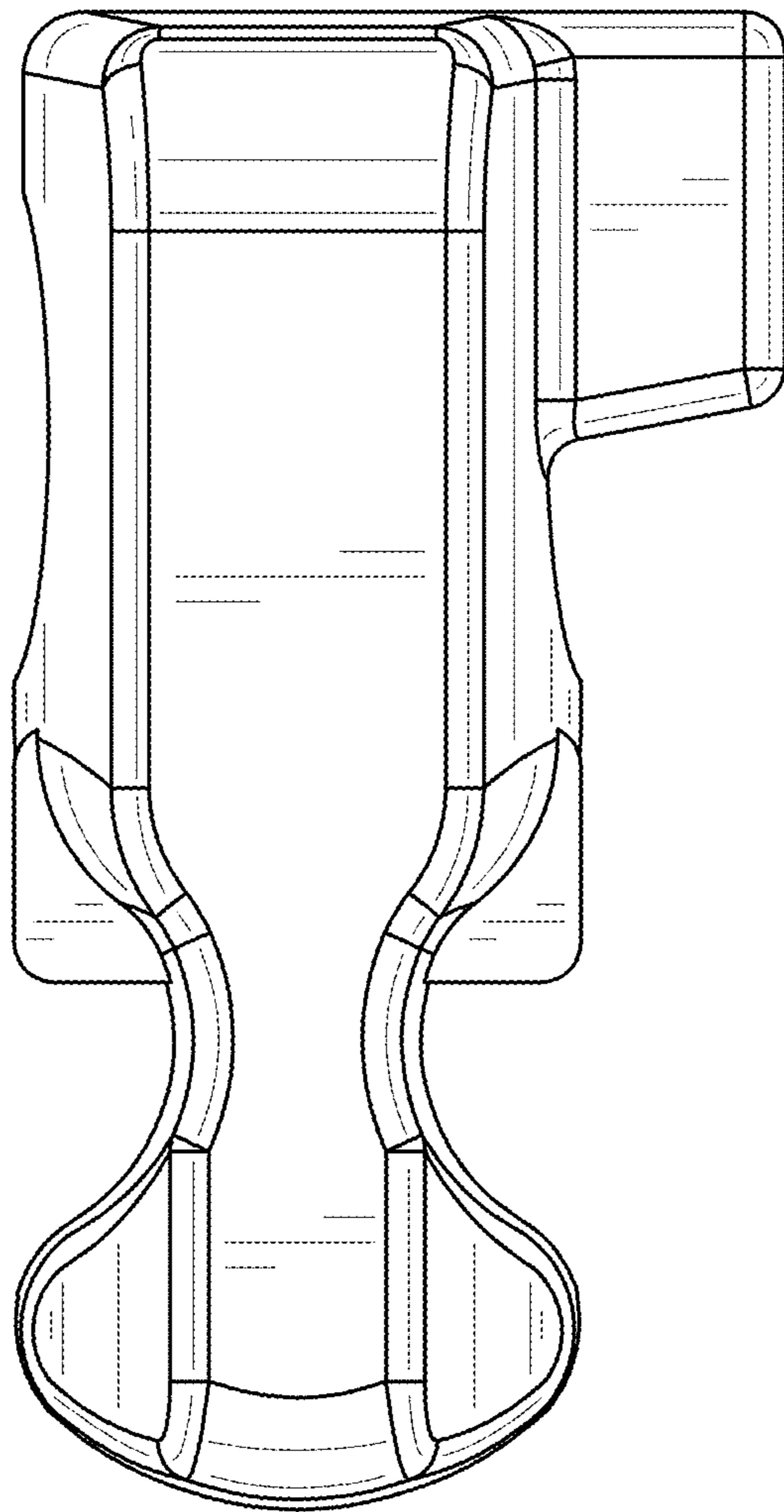


Fig. 1

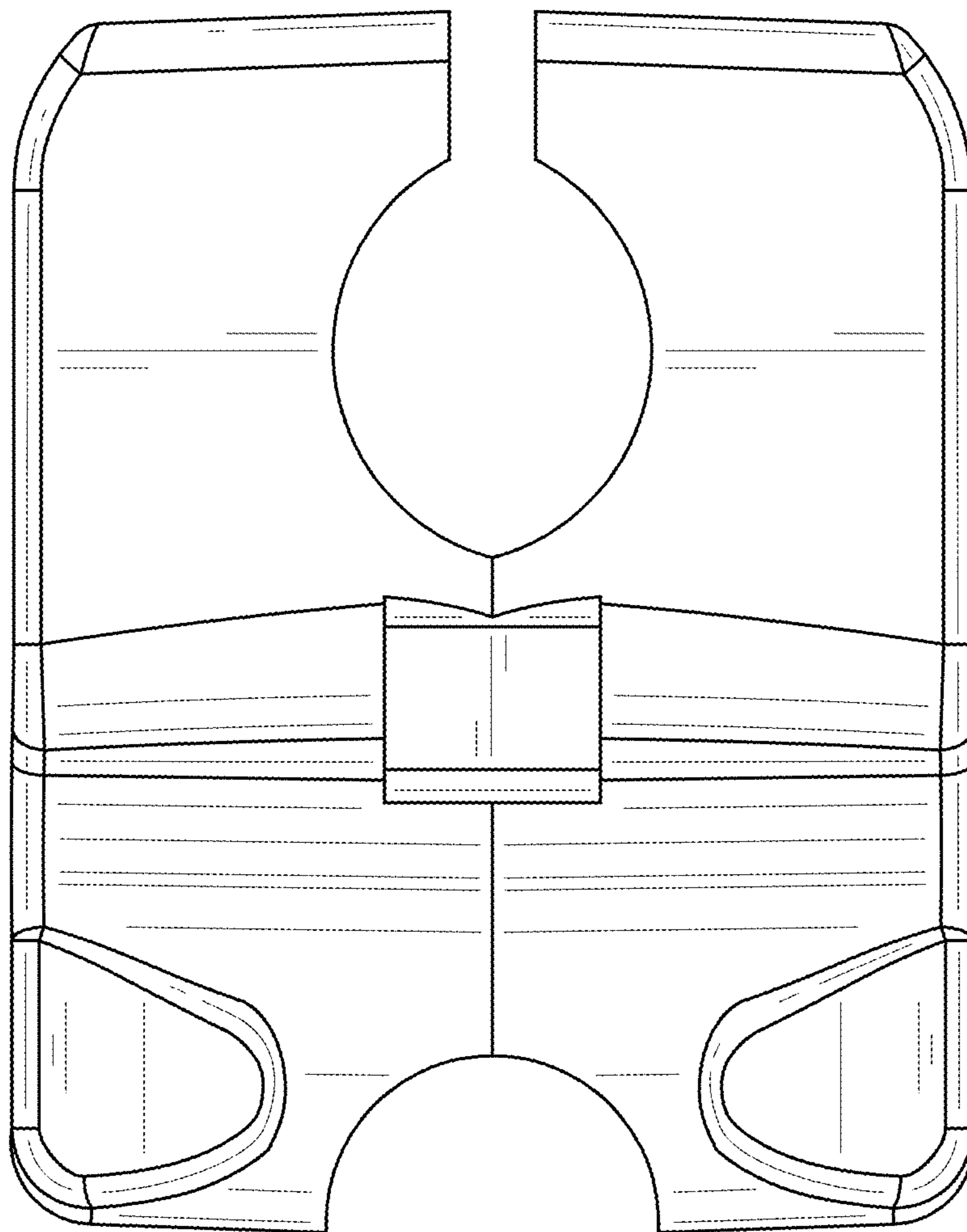


Fig. 2

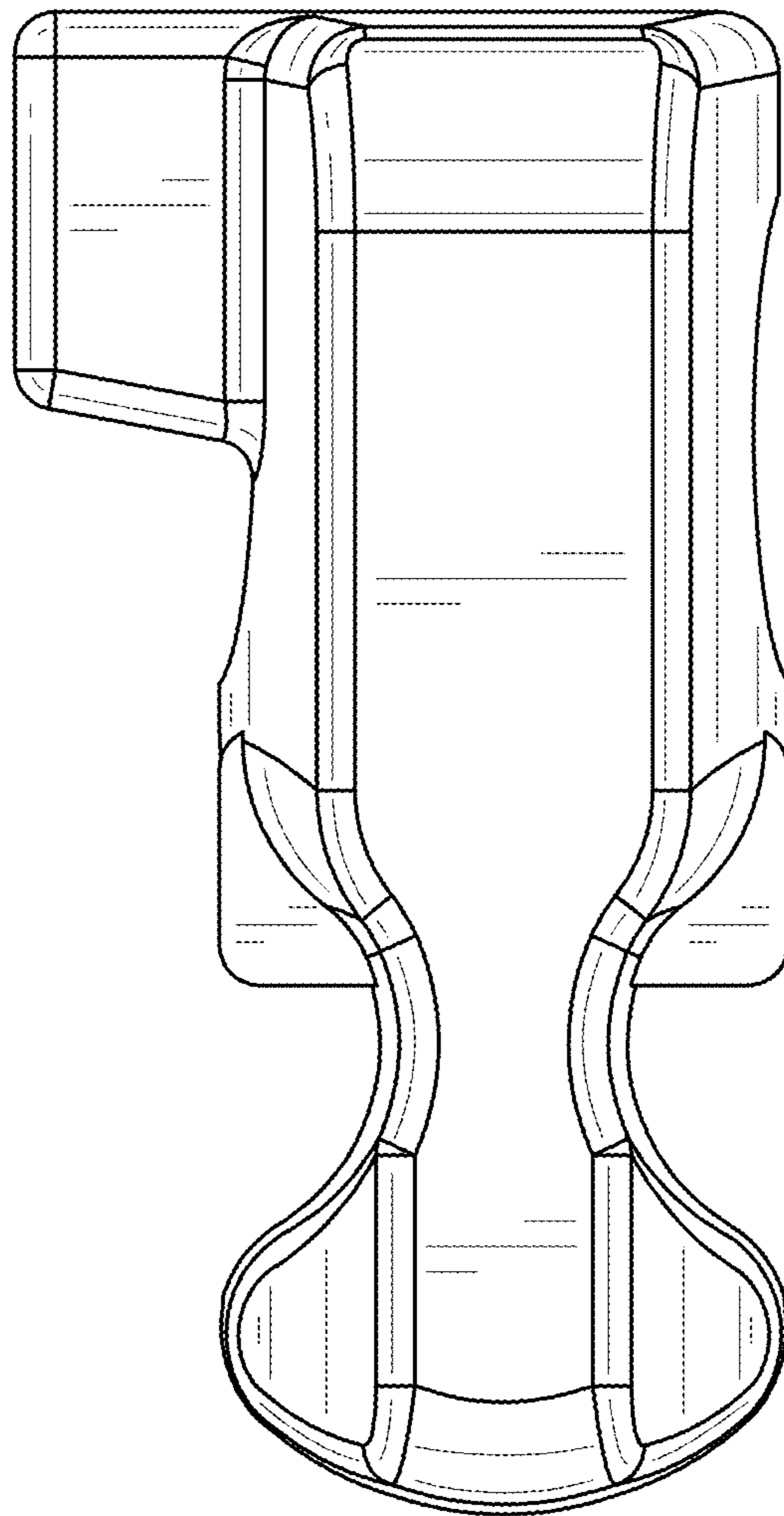


Fig. 3

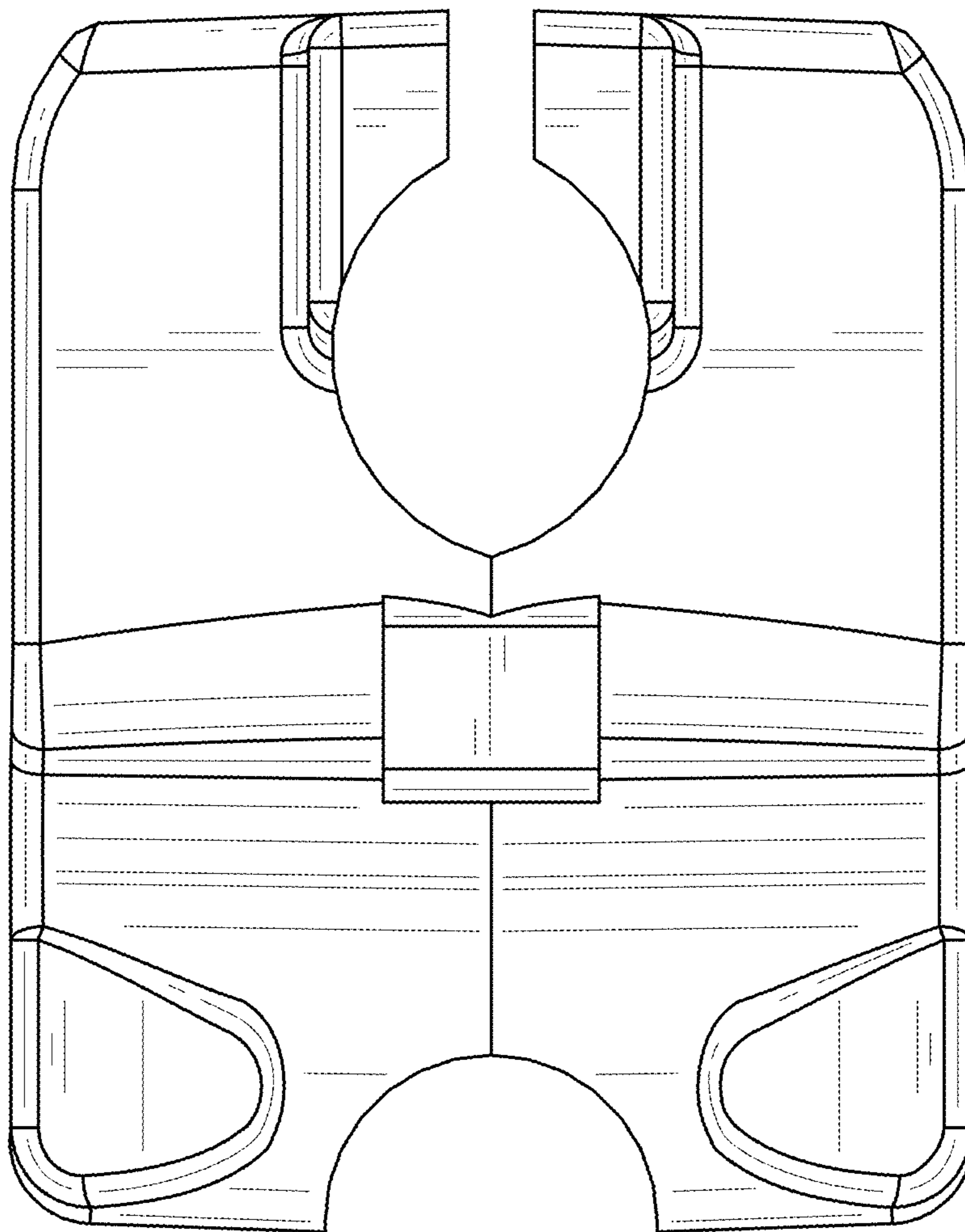


Fig. 4

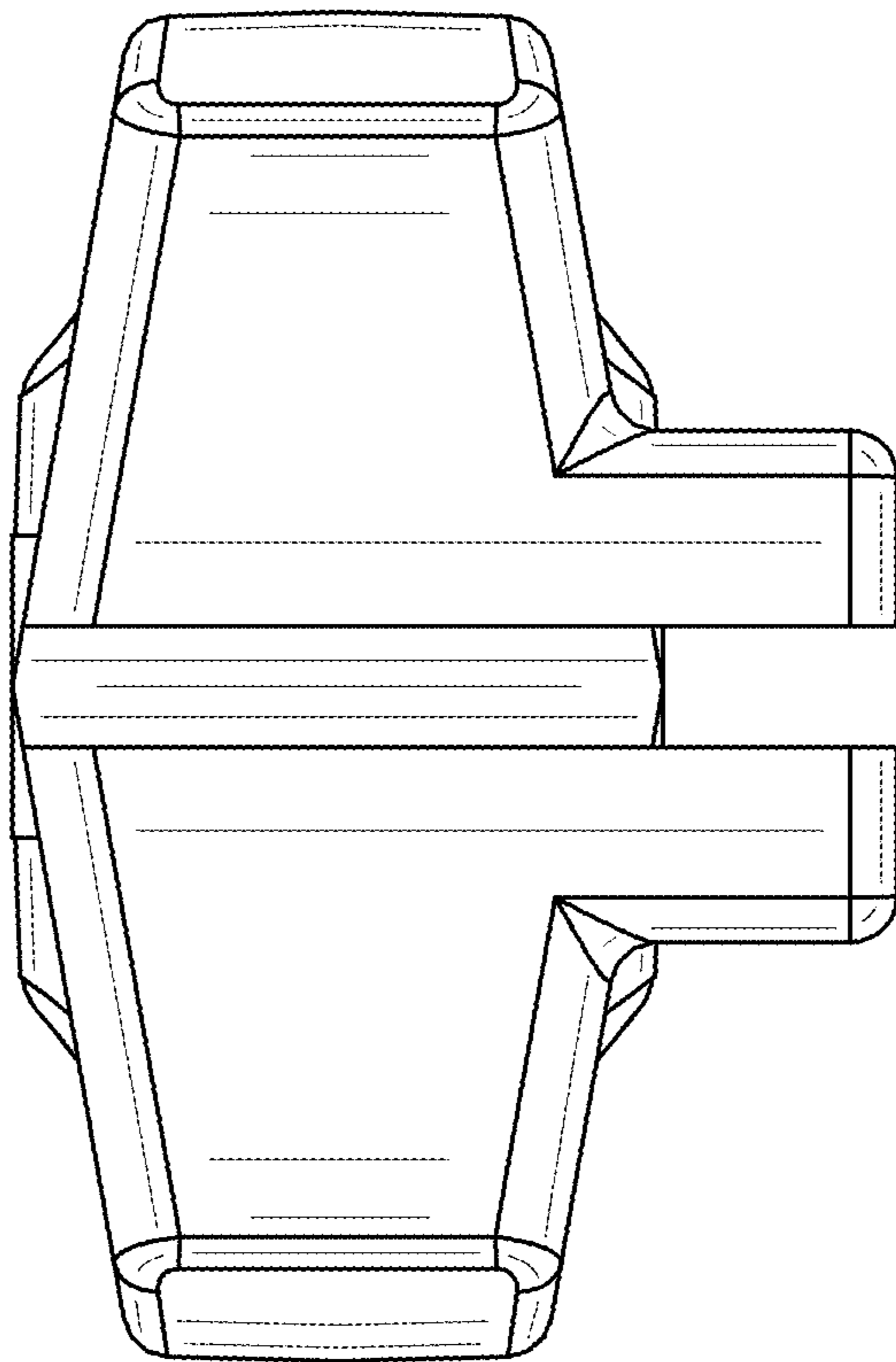


Fig. 5

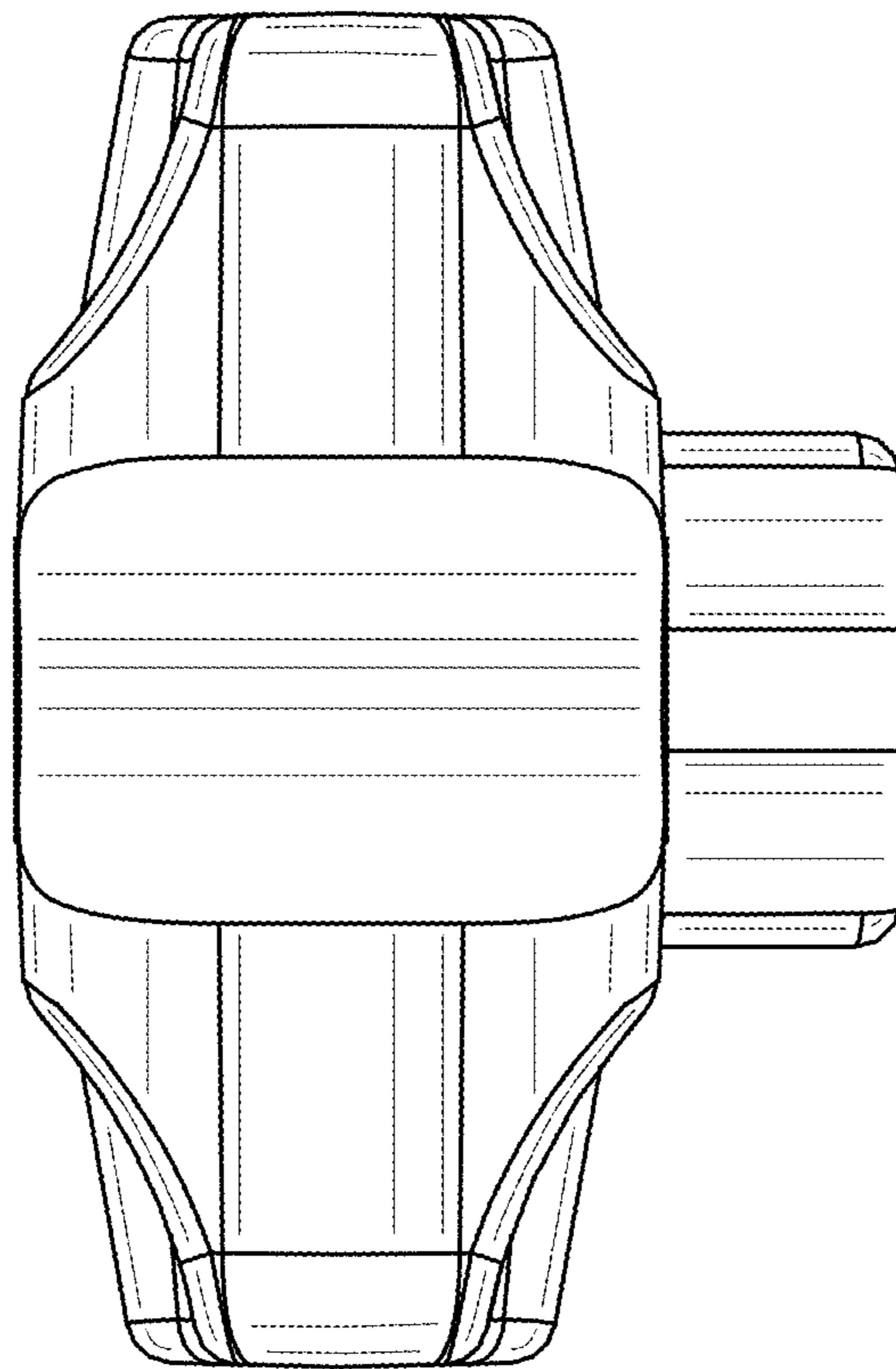


Fig. 6

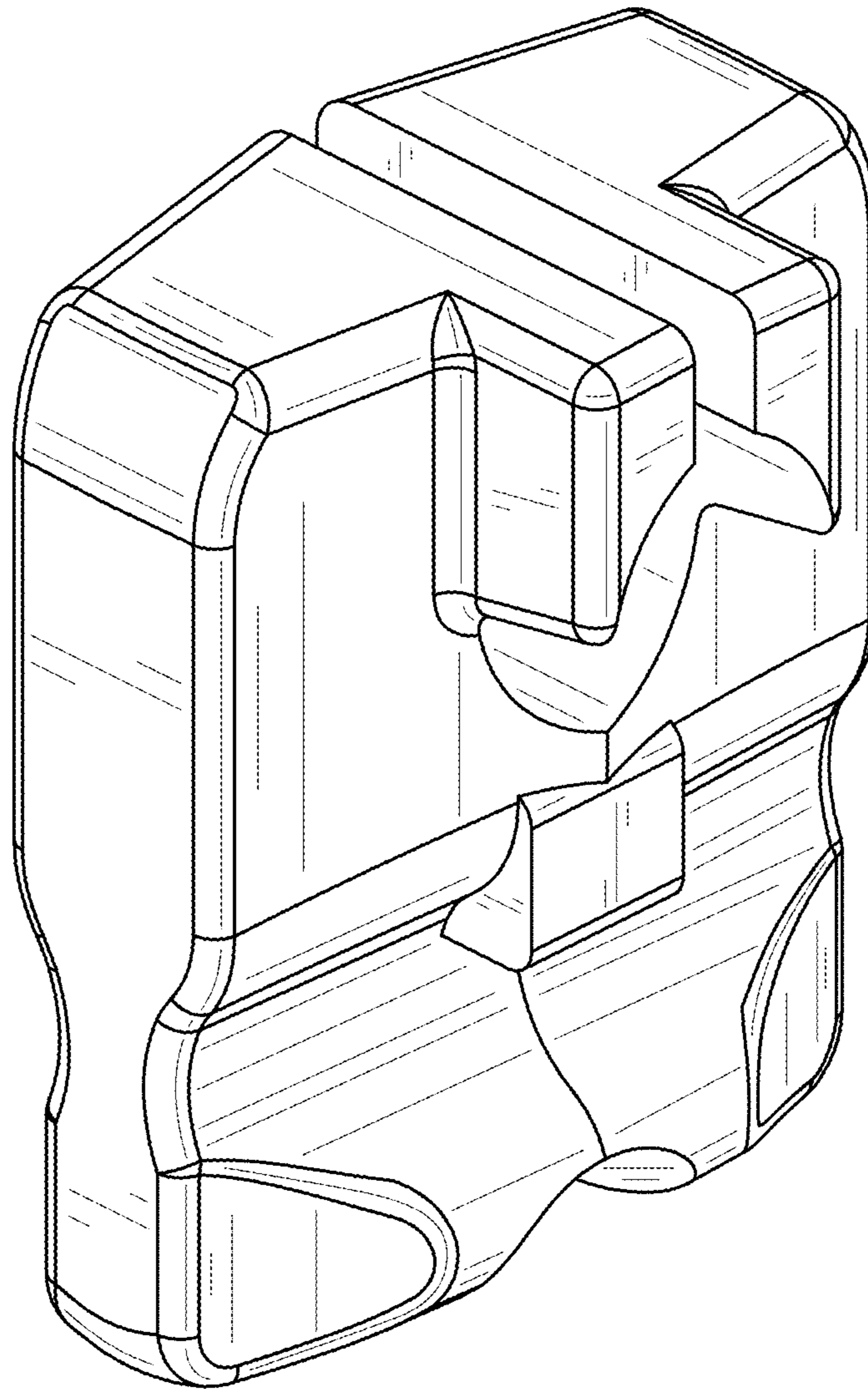


Fig. 7

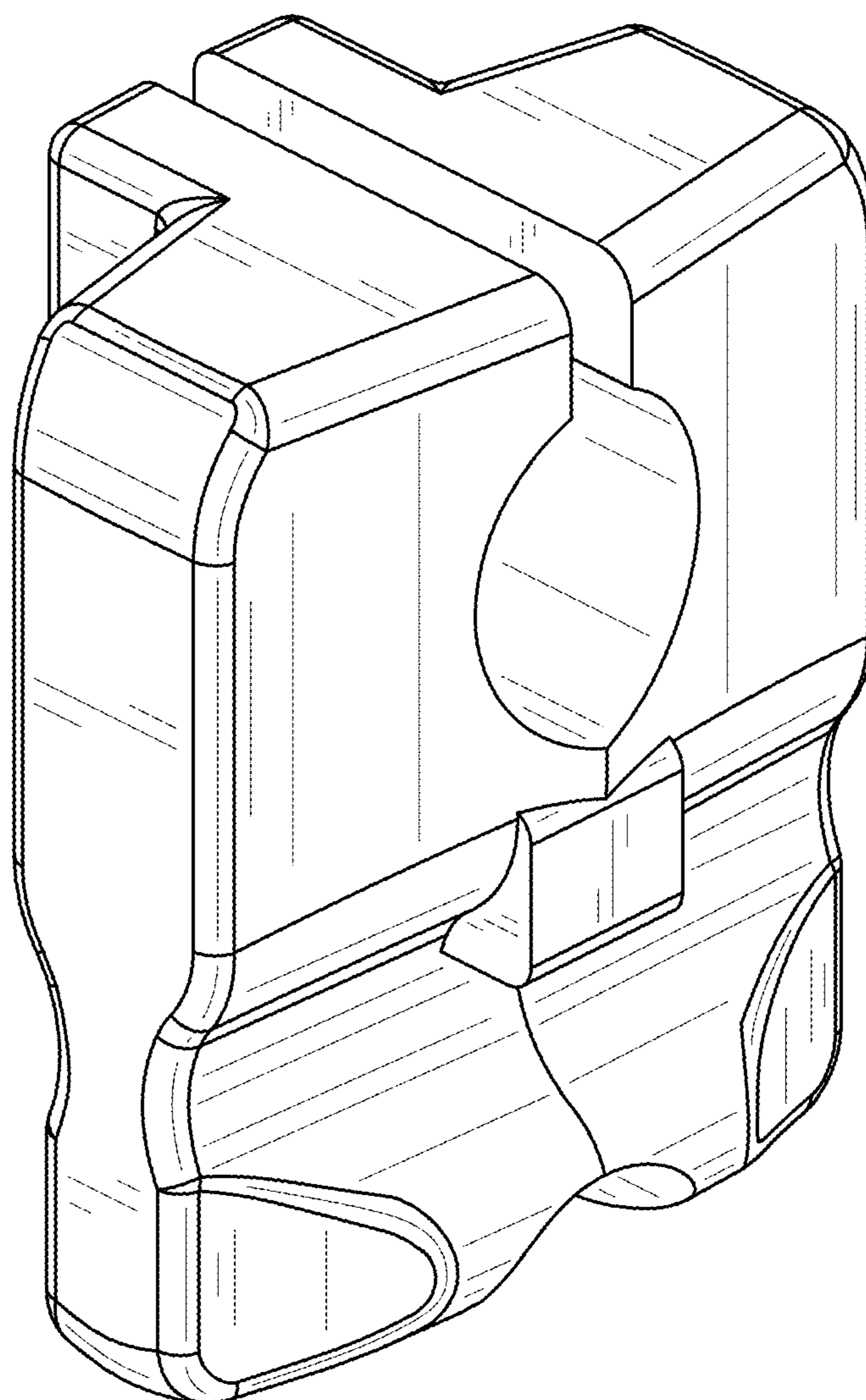


Fig. 8

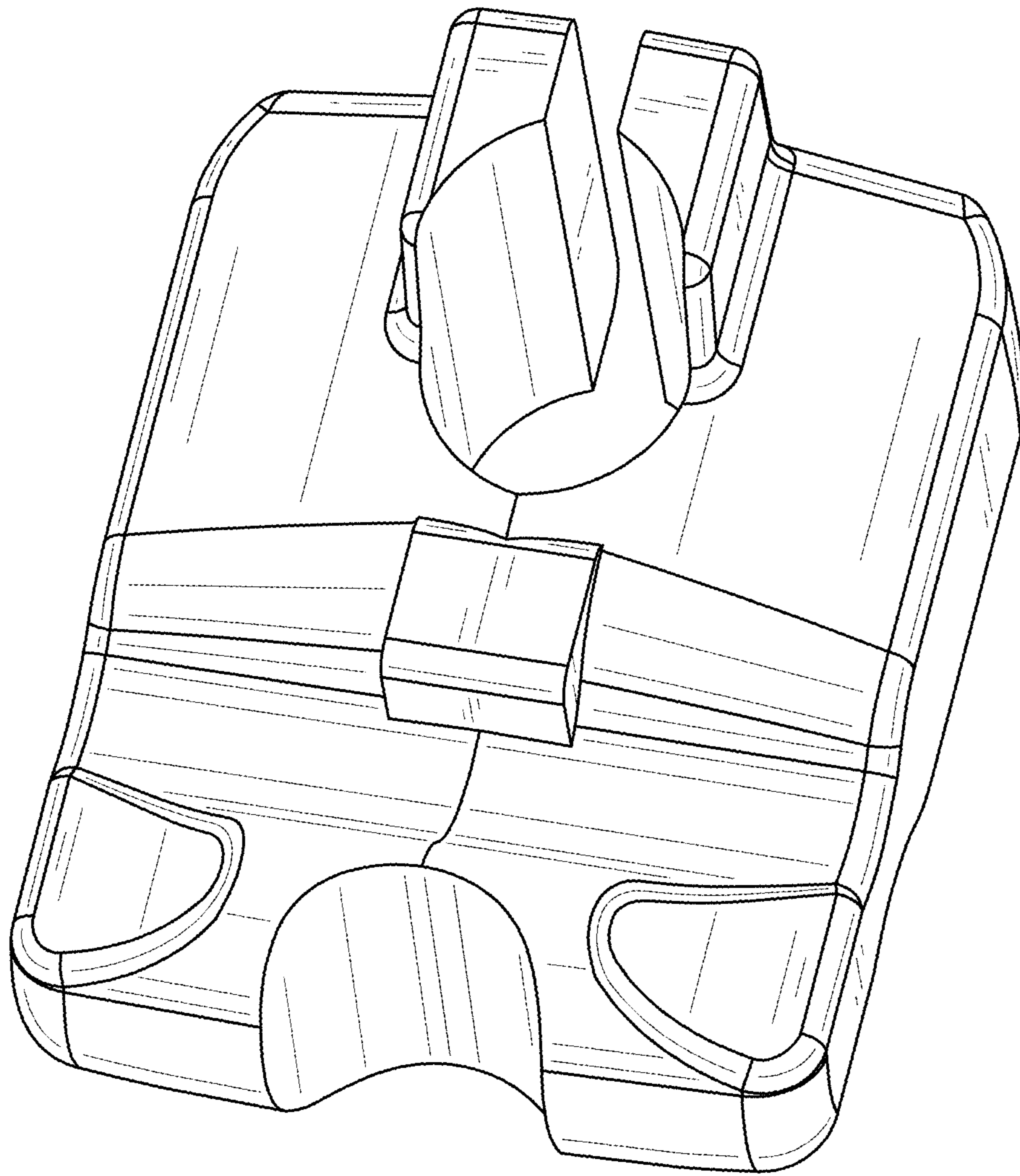


Fig. 9

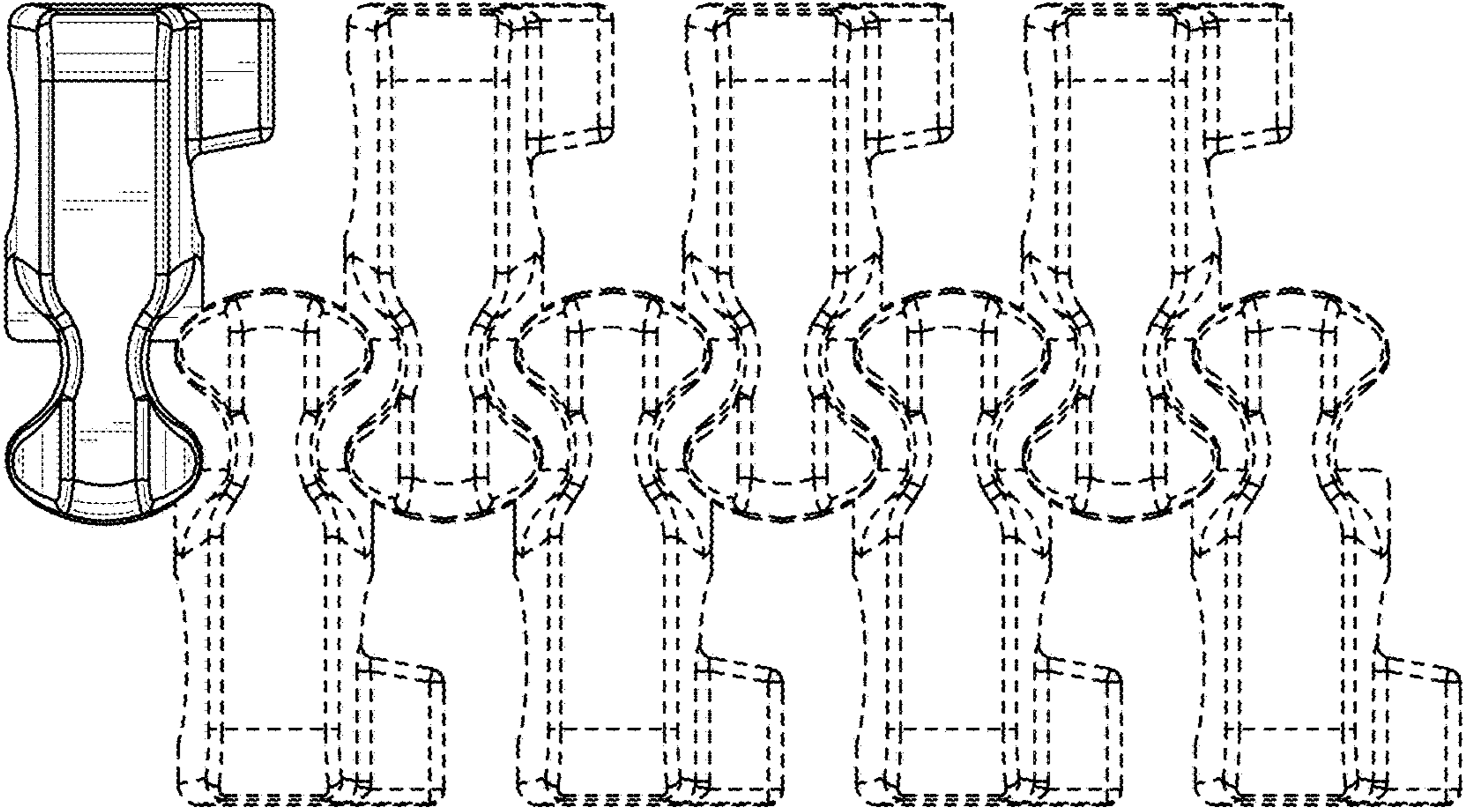


Fig. 10

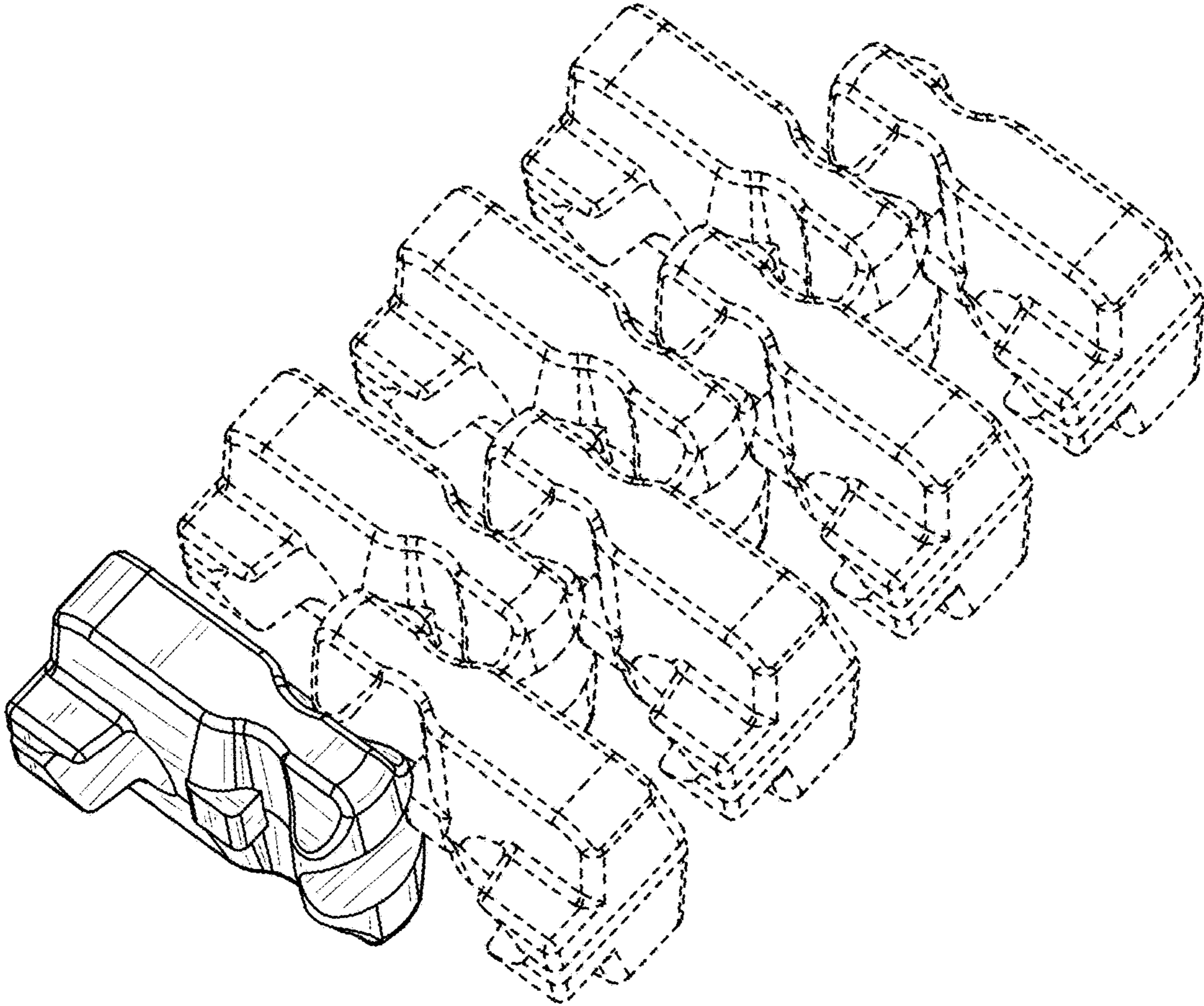


Fig. 11