



US00D820722S

(12) **United States Design Patent** (10) **Patent No.:** **US D820,722 S**
Shaffer et al. (45) **Date of Patent:** **** Jun. 19, 2018**

(54) **PLANT POT**
(71) Applicant: **Selfeco LLC**, Stillwater, MN (US)
(72) Inventors: **Chadwick Aaron Shaffer**, Oakdale, MN (US); **Daniel George Mishek**, Roseville, MN (US)
(73) Assignee: **Selfeco LLC**, Stillwater, MN (US)
(**) Term: **15 Years**
(21) Appl. No.: **29/587,290**
(22) Filed: **Dec. 12, 2016**

4,347,686 A 9/1982 Wood
4,389,814 A 6/1983 Andreason et al.
D317,567 S 6/1991 Lane, Sr.
5,031,356 A 7/1991 Thomsen
D320,744 S 10/1991 Palisin, Jr.
D321,652 S 11/1991 Palisin, Jr.
D322,032 S 12/1991 Palisin, Jr.
D322,033 S 12/1991 Palisin, Jr. et al.
(Continued)

FOREIGN PATENT DOCUMENTS

EP 0274769 A1 7/1988
EP 0 716 804 A1 6/1996
(Continued)

OTHER PUBLICATIONS

U.S. Appl. No. 14/577,112, filed Dec. 19, 2014, titled "Biodegradable Horticulture Container".
(Continued)

Primary Examiner — Elizabeth Albert
(74) *Attorney, Agent, or Firm* — Kagan Binder, PLLC

(57) **CLAIM**

The ornamental design for a plant pot, as shown and described.

DESCRIPTION

FIG. 1 is a perspective view of a plant pot showing our new design;
FIG. 2 is a front elevation view thereof;
FIG. 3 is a right side view thereof;
FIG. 4 is a top plan view thereof;
FIG. 5 is a bottom plan view thereof; and,
FIG. 6 is another perspective view thereof.
The broken lines are included for the purpose of showing portions of the plant pot that form no part of the claimed design.

1 Claim, 4 Drawing Sheets

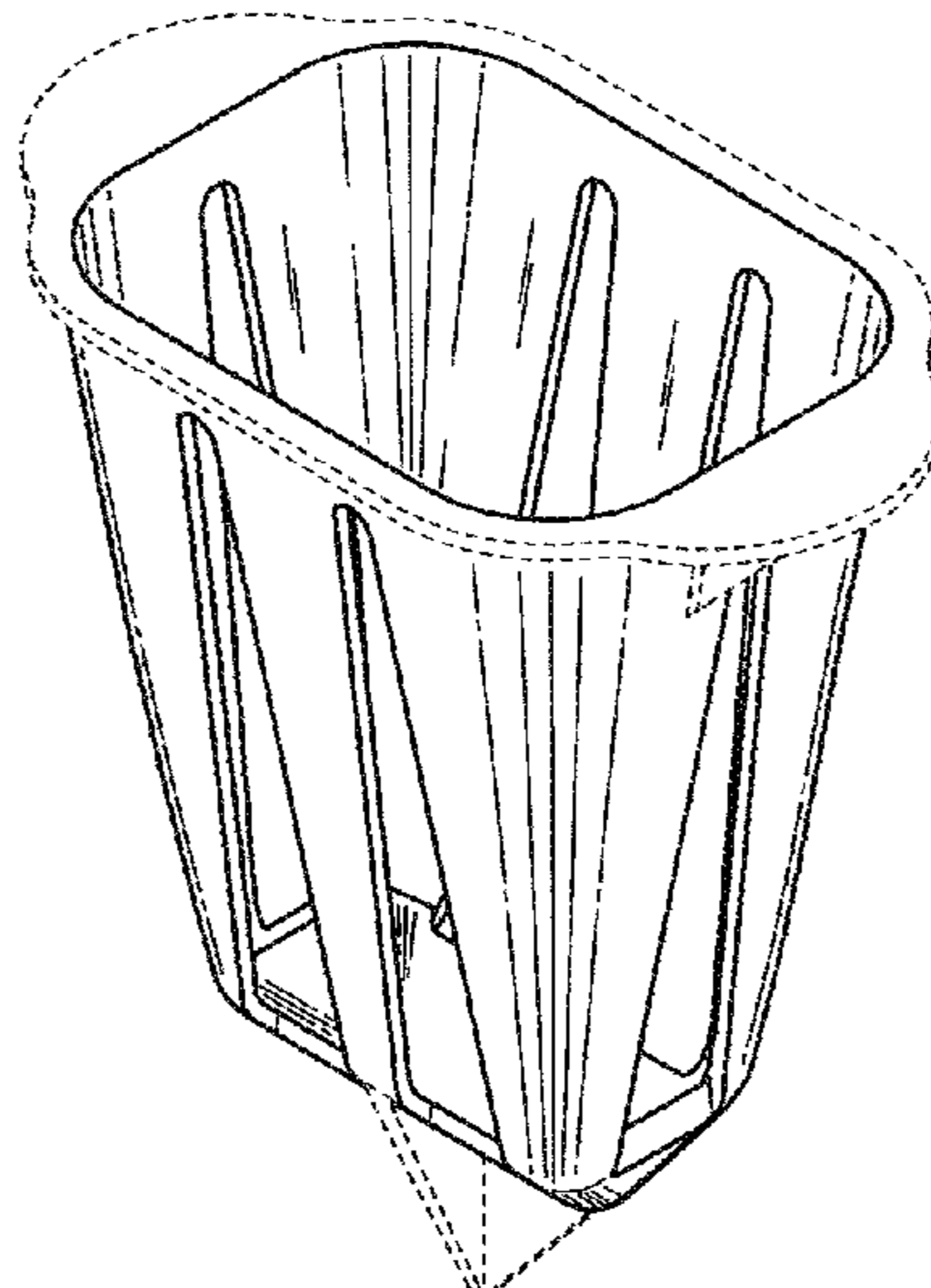
Related U.S. Application Data

(62) Division of application No. 29/520,556, filed on Mar. 16, 2015, now Pat. No. Des. 775,999.
(51) **LOC (11) Cl.** **11-02**
(52) **U.S. Cl.**
USPC **D11/155**
(58) **Field of Classification Search**
USPC D6/403-405, 556-558; D7/509, 523;
D9/516, 537, 540, 548, 549;
D11/143-156, 164
CPC . A01G 9/042; A01G 9/02; A01G 9/04; A01G 9/10; A01G 9/102; A01G 9/1026; A01G 9/104; A47G 7/06; A47G 7/08
See application file for complete search history.

(56) **References Cited**

U.S. PATENT DOCUMENTS

D54,749 S 3/1920 Huntley
2,016,434 A 10/1935 Huntley
2,102,510 A 12/1937 Cecil
2,459,073 A 1/1949 Hamilton
D192,811 S 5/1962 Guarriello
3,184,890 A 6/1965 McKey
4,008,544 A 2/1977 Rupprecht et al.
4,336,669 A 6/1982 Gordon



(56)

References Cited

U.S. PATENT DOCUMENTS

D333,196	S	2/1993	Dziersk et al.
5,471,788	A	12/1995	Willes
5,523,293	A	6/1996	Jane et al.
D382,230	S	8/1997	Weder et al.
5,798,436	A	8/1998	Gruber et al.
D401,530	S	11/1998	Keskilohko
6,266,921	B1	7/2001	Keskilohko
D473,463	S	4/2003	Armstrong et al.
6,550,182	B2	4/2003	Locke et al.
D514,390	S	2/2006	Palder
D605,375	S	12/2009	Anderson et al.
D625,067	S	10/2010	Shannon
D630,547	S	1/2011	Aoyama
D631,391	S	1/2011	Aoyama
D640,034	S	6/2011	Martheenal
8,110,017	B2	2/2012	Wells
8,205,492	B2	6/2012	Martheenal
D726,071	S	4/2015	Aoyama
2002/0180305	A1	8/2002	Bautner
2008/0168710	A1	7/2008	MacKenzie
2009/0173002	A1	7/2009	Plihal
2009/0272033	A1	11/2009	Paleari
2010/0212223	A1	8/2010	Gibbons

2011/0167723	A1	7/2011	Whitehead
2012/0181247	A1	7/2012	Grulke et al.
2012/0311928	A1	12/2012	Ko et al.
2013/0053293	A1	2/2013	Dituro et al.
2014/0215909	A1	8/2014	Hoff
2015/0013609	A1	1/2015	Weder
2016/0150741	A1*	6/2016	Au A01G 9/02 47/65.7
2016/0174469	A1	6/2016	Shaffer et al.
2016/0270305	A1	9/2016	Shaffer et al.

FOREIGN PATENT DOCUMENTS

EP	2382861	A1	11/2011
EP	2570023	A1	3/2013
GB	2495226	A	4/2013
WO	2013181343	A2	12/2013
WO	2014006256	A1	1/2014

OTHER PUBLICATIONS

U.S. Appl. No. 14/974,765, filed Dec. 18, 2015, titled "Biodegradable Horticulture Container".

* cited by examiner

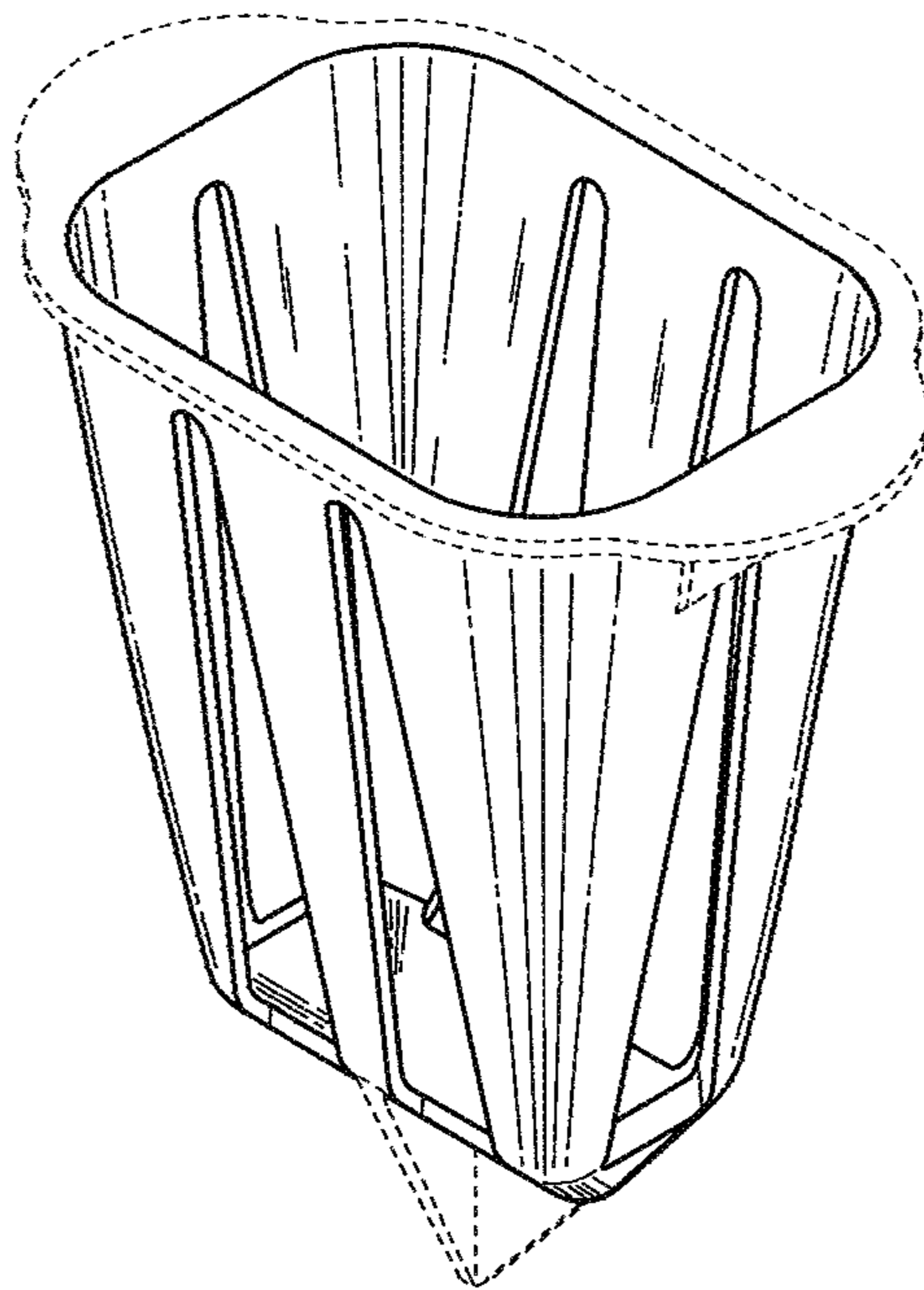


Fig. 1

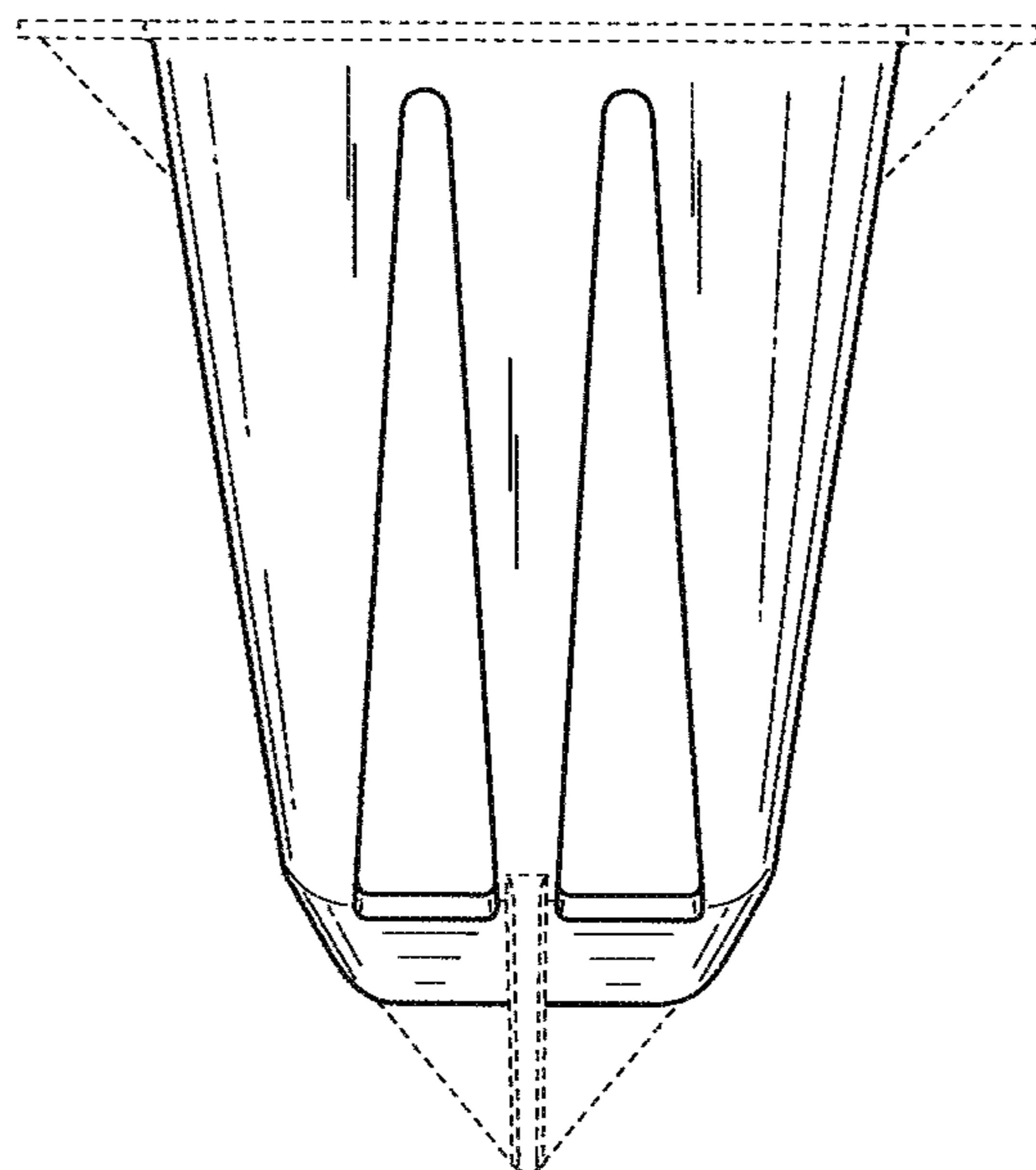


Fig. 2

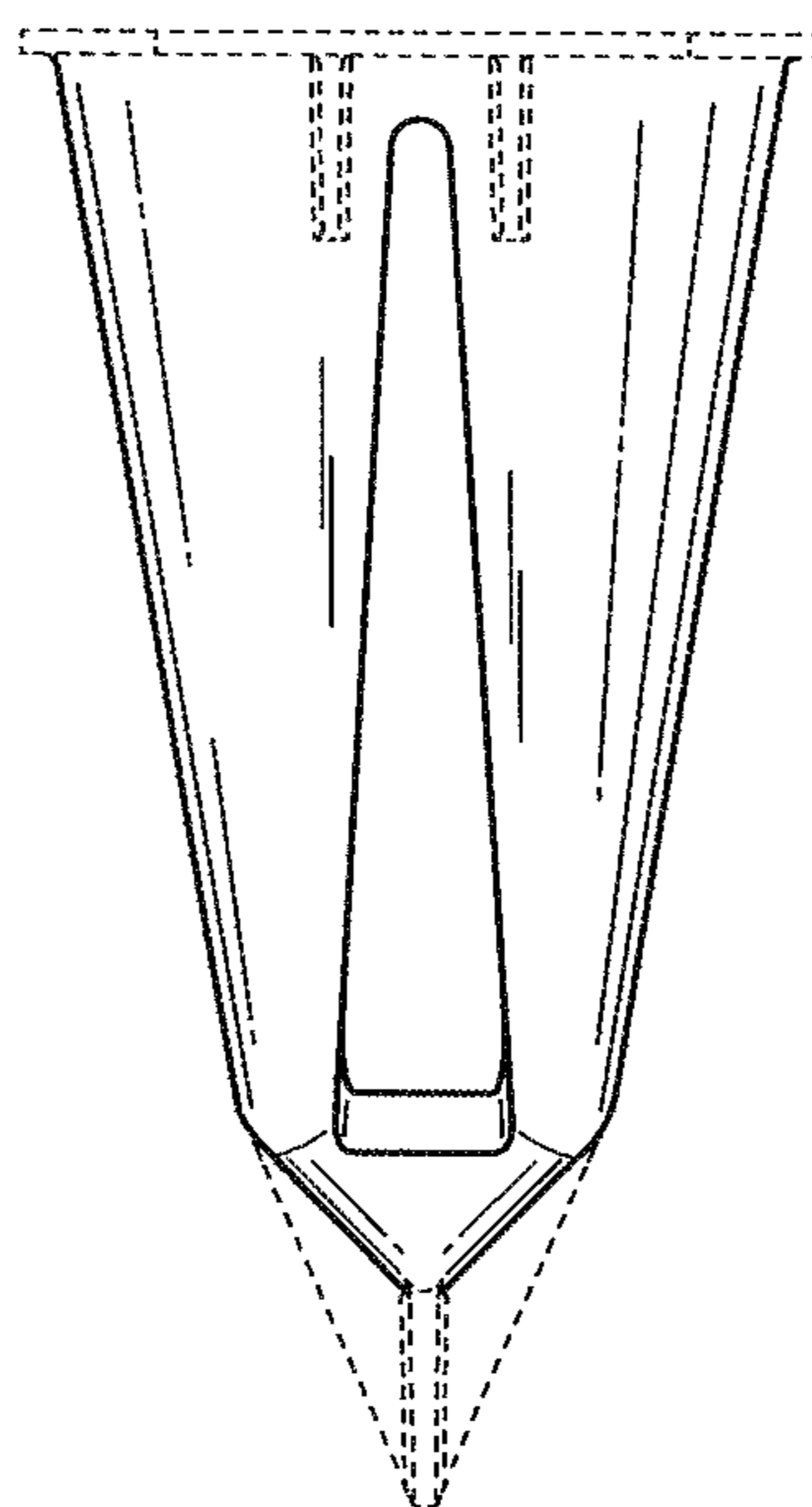


Fig. 3

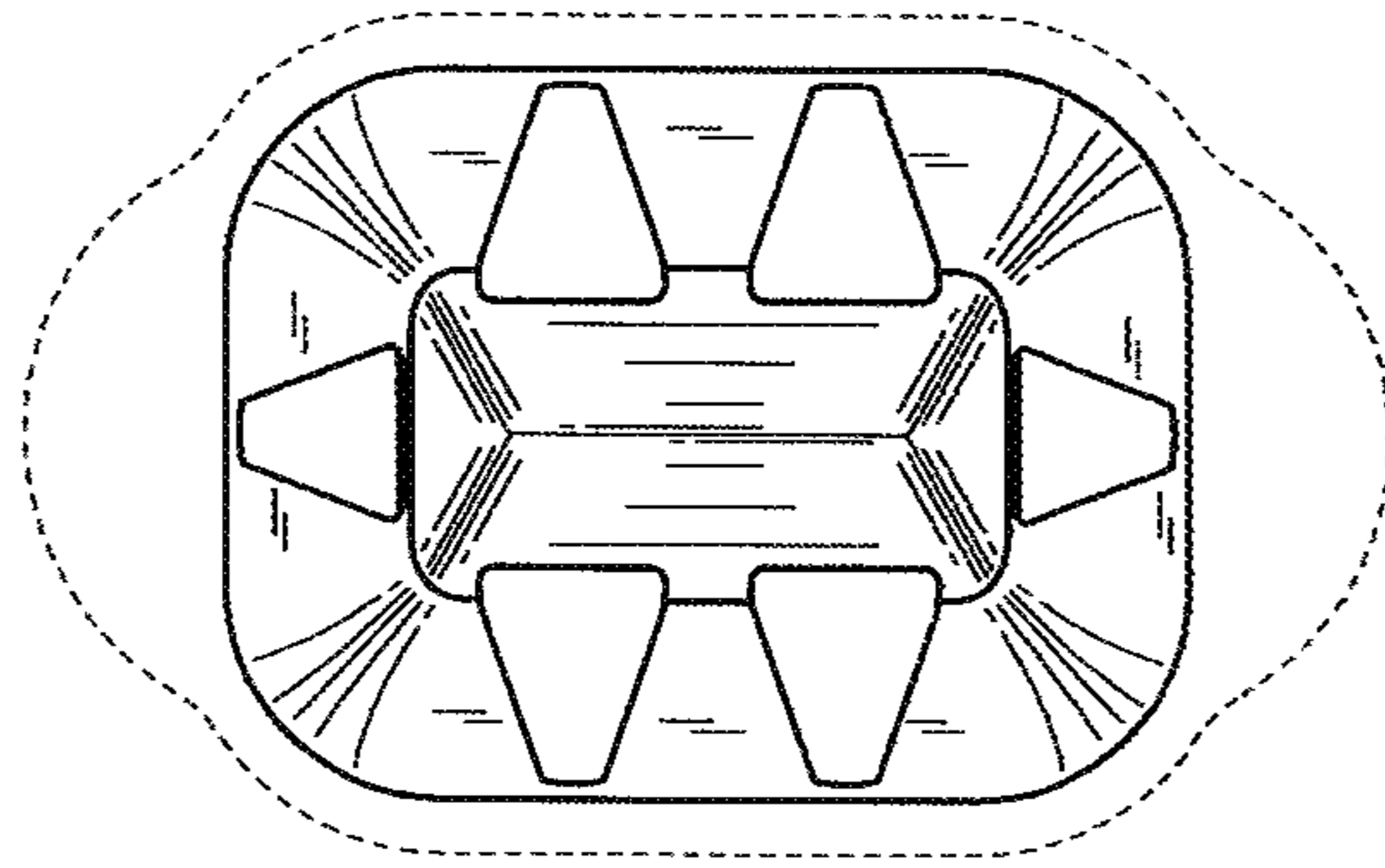


Fig. 4

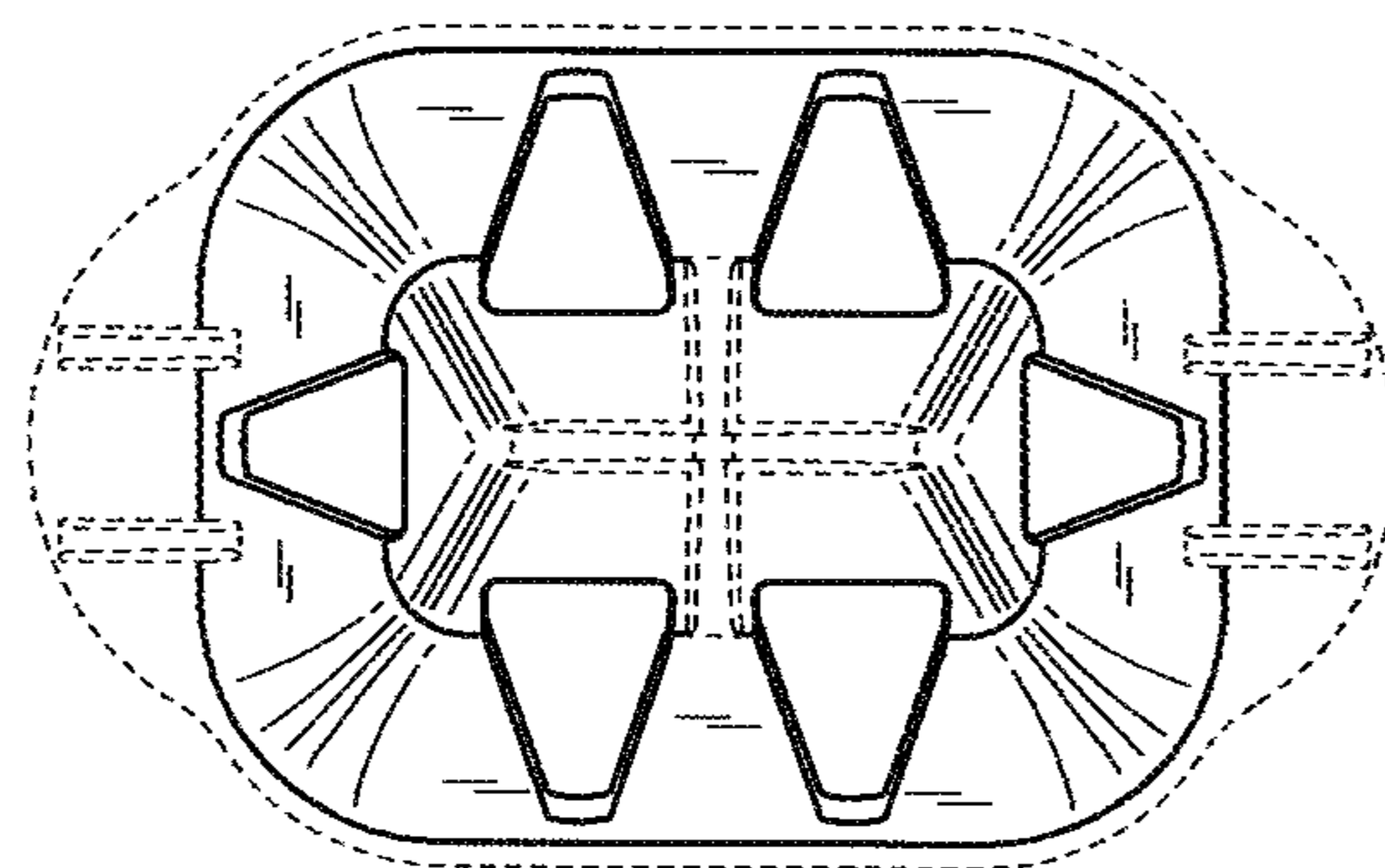


Fig. 5

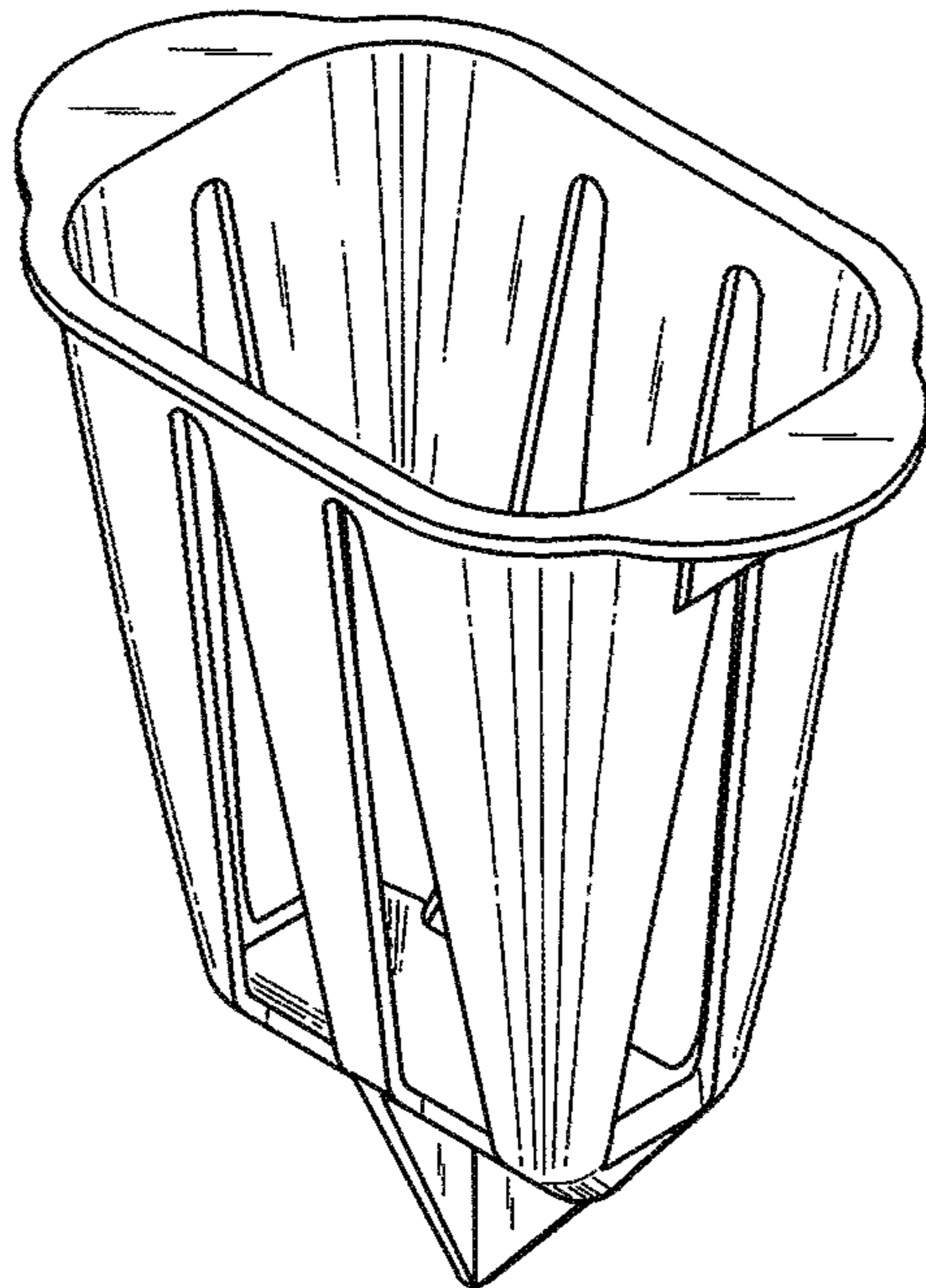


Fig. 6

UNITED STATES PATENT AND TRADEMARK OFFICE
CERTIFICATE OF CORRECTION

PATENT NO. : D820,722 S
APPLICATION NO. : 29/587290
DATED : June 19, 2018
INVENTOR(S) : Chadwick Aaron Shaffer and Daniel George Mishek

Page 1 of 1

It is certified that error appears in the above-identified patent and that said Letters Patent is hereby corrected as shown below:

On the Title Page

DESCRIPTION, in description of FIG. 4, after “thereof;”, please add --and,--.

DESCRIPTION, in description of FIG. 5, after “thereof”, please delete “; and,”, and replace with --.--.

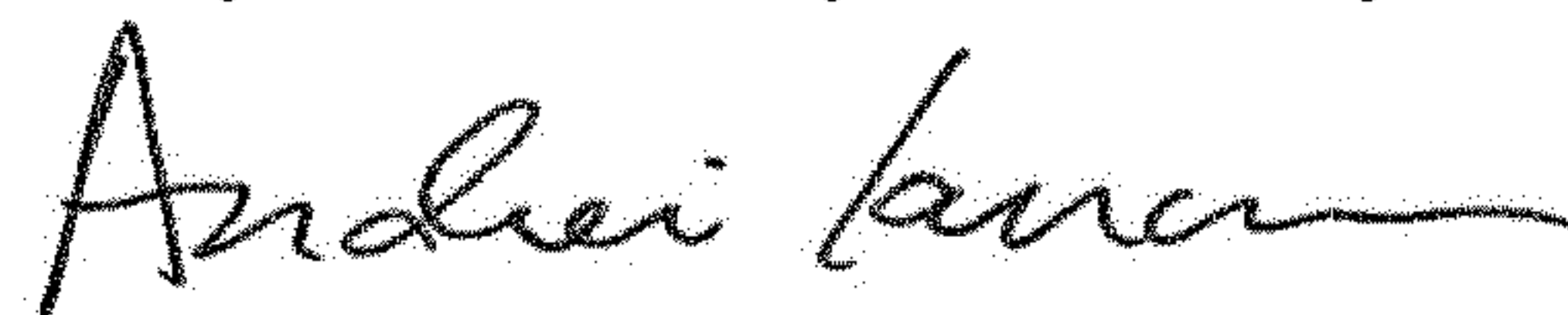
DESCRIPTION, please delete “FIG. 6 is another perspective view thereof.”.

Below Description, replace with --1 Claim, 3 Drawing Sheets--.

In the Drawings

Please delete Drawing Sheets, 1-4 and replace with Drawing Sheets 1-3 consisting of Figs. 1-4.

Signed and Sealed this
Twenty-second Day of January, 2019



Andrei Iancu
Director of the United States Patent and Trademark Office