



US00D820721S

(12) **United States Design Patent**
Wang

(10) **Patent No.:** **US D820,721 S**
(45) **Date of Patent:** **** Jun. 19, 2018**

- (54) **FLOWERPOT**
- (71) Applicant: **Dongguan Sunland Technology Co., Ltd**, Dongguan, Guangdong Province (CN)
- (72) Inventor: **Yi Wang**, Shenzhen (CN)
- (73) Assignee: **DONGGUAN SUNLAND TECHNOLOGY CO., LTD.**, Dongguan, Guangdong Province (CN)
- (**) Term: **15 Years**
- (21) Appl. No.: **29/604,919**
- (22) Filed: **May 22, 2017**
- (51) **LOC (11) Cl.** **11-02**
- (52) **U.S. Cl.**
USPC **D11/143**
- (58) **Field of Classification Search**
USPC D6/403-405, 556-558; D11/143-156, D11/164
CPC . A01G 9/00; A01G 9/02; A01G 9/021; A01G 9/022; A01G 9/027; A01G 9/04; A01G 9/047; A01G 9/10; A01G 7/07; A01G 27/02; A01G 31/02; A01G 31/06
See application file for complete search history.

(56) **References Cited**
U.S. PATENT DOCUMENTS

1,945,967 A *	2/1934	Colbie	B65D 7/34
				220/669
D109,069 S *	3/1938	Matassa	D11/152
D113,511 S *	2/1939	Heller	D7/565
D125,058 S *	2/1941	Ratner	47/75
D150,233 S *	7/1948	Jones	D11/153
2,641,299 A *	6/1953	Bloom	A47G 7/08
				156/172

3,192,665 A *	7/1965	Cloud	A01G 27/06
				47/80
4,156,308 A *	5/1979	Gebhart	B27J 7/00
				112/475.08
D426,172 S *	6/2000	Lin	D11/152
D524,605 S *	7/2006	Czebiniak	D7/565
D536,277 S *	2/2007	Cabeza	D11/152
D636,700 S *	4/2011	White	D11/148
D636,702 S *	4/2011	White	D11/152
D636,703 S *	4/2011	White	D11/152
D663,236 S *	7/2012	Pedersen	D11/154
D719,056 S *	12/2014	Thuma	D11/153
D723,418 S *	3/2015	Thuma	D11/143
D740,162 S *	10/2015	Pettigrew	D11/152
D766,128 S *	9/2016	Mihlbauer	D11/152
D778,203 S *	2/2017	Thuma	D11/153
D778,204 S *	2/2017	Thuma	D11/153
D779,897 S *	2/2017	Thuma	D11/143
D800,599 S *	10/2017	Dodd	D11/152

* cited by examiner

Primary Examiner — Elizabeth Albert
(74) *Attorney, Agent, or Firm* — Duane Morris LLP

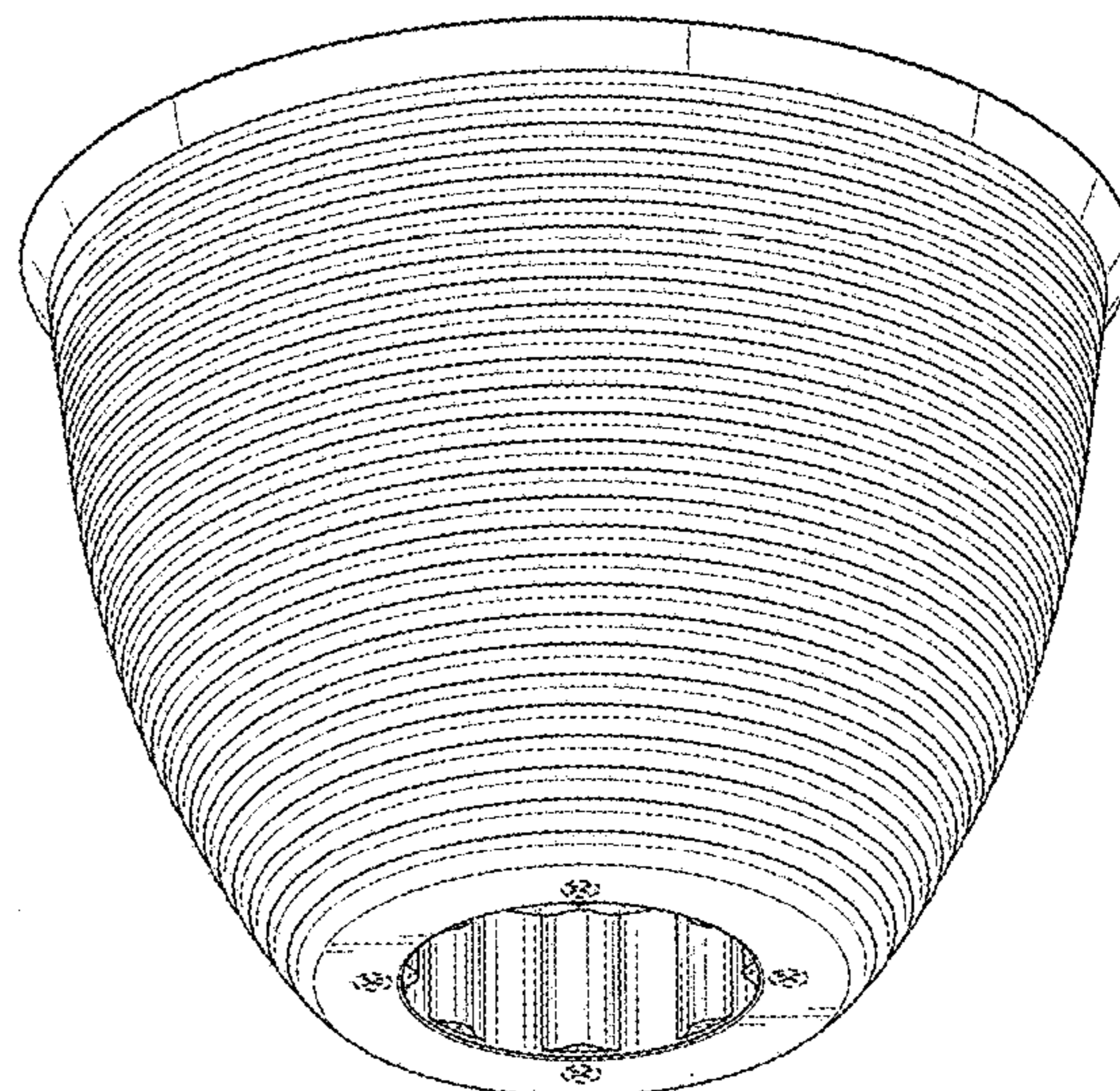
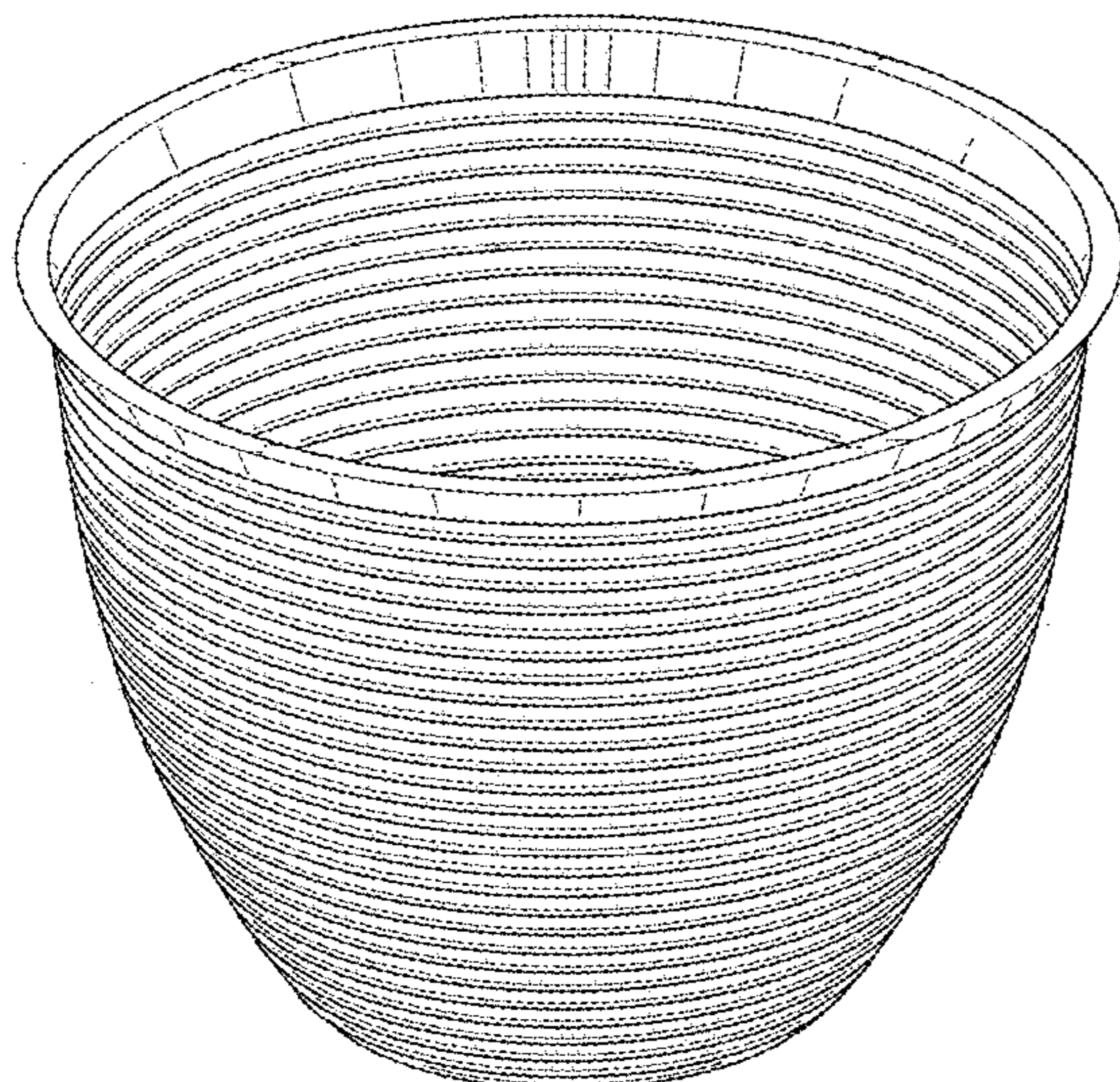
(57) **CLAIM**

The ornamental design for a flowerpot, as shown.

DESCRIPTION

FIG. 1 is an isometric view of the flowerpot showing my new design;
FIG. 2 is a front elevational view thereof;
FIG. 3 is a rear elevational view thereof;
FIG. 4 is a left side elevational view thereof;
FIG. 5 is a right side elevational view thereof;
FIG. 6 is a top plan view thereof;
FIG. 7 is a bottom plan view thereof;
FIG. 8 is a top perspective view thereof; and,
FIG. 9 is a bottom perspective view thereof.

1 Claim, 9 Drawing Sheets



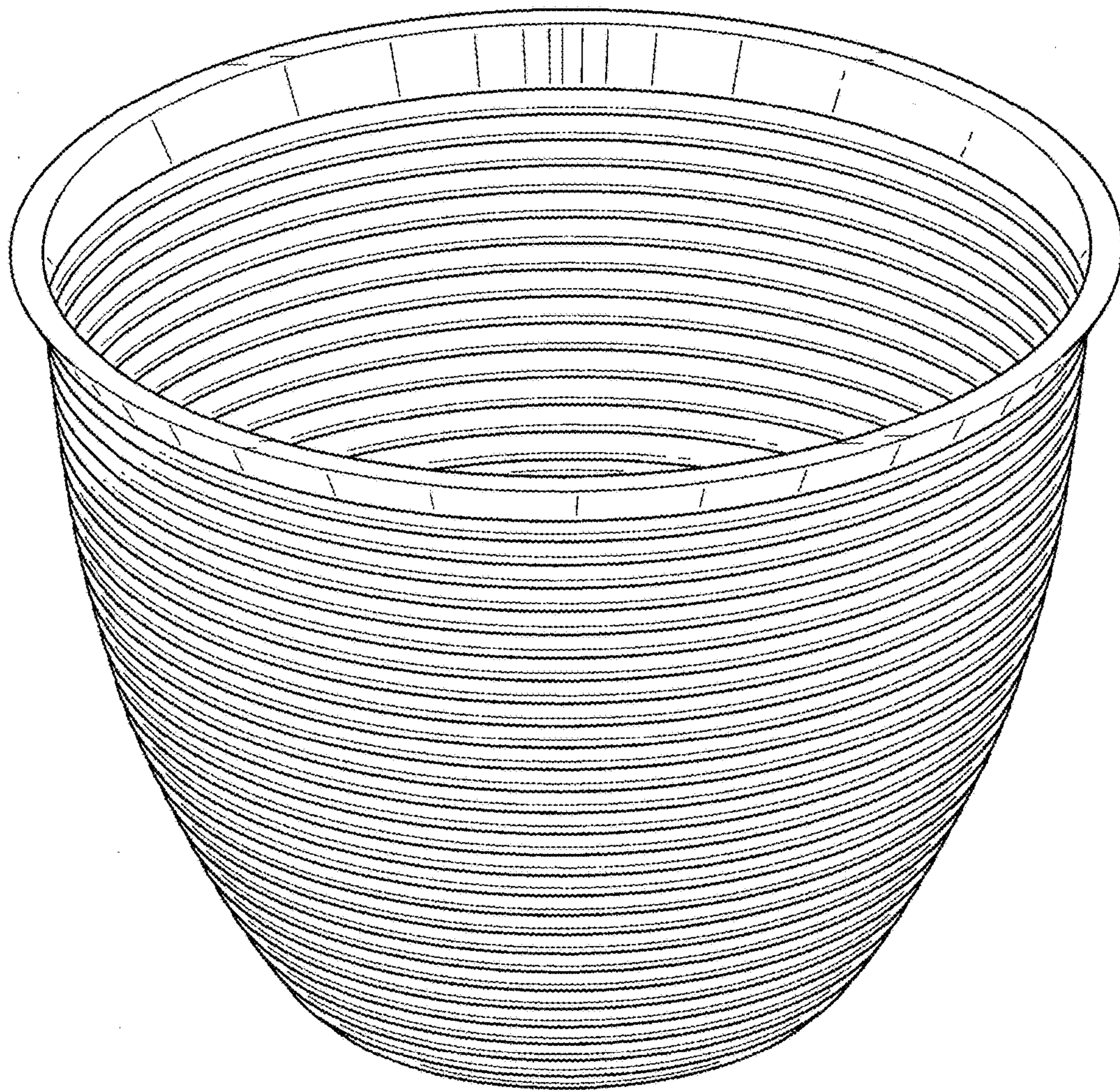


FIG. 1

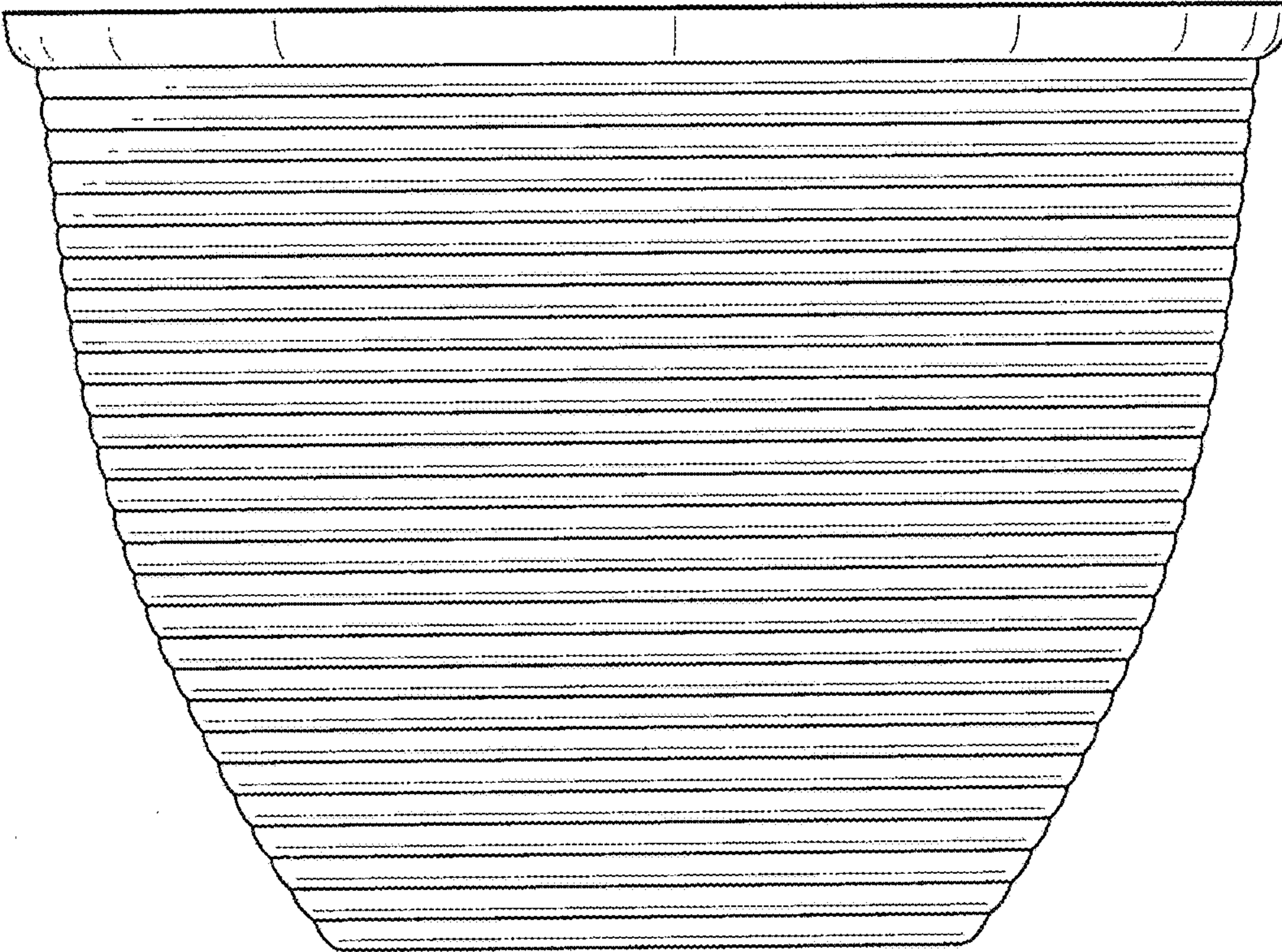


FIG. 2

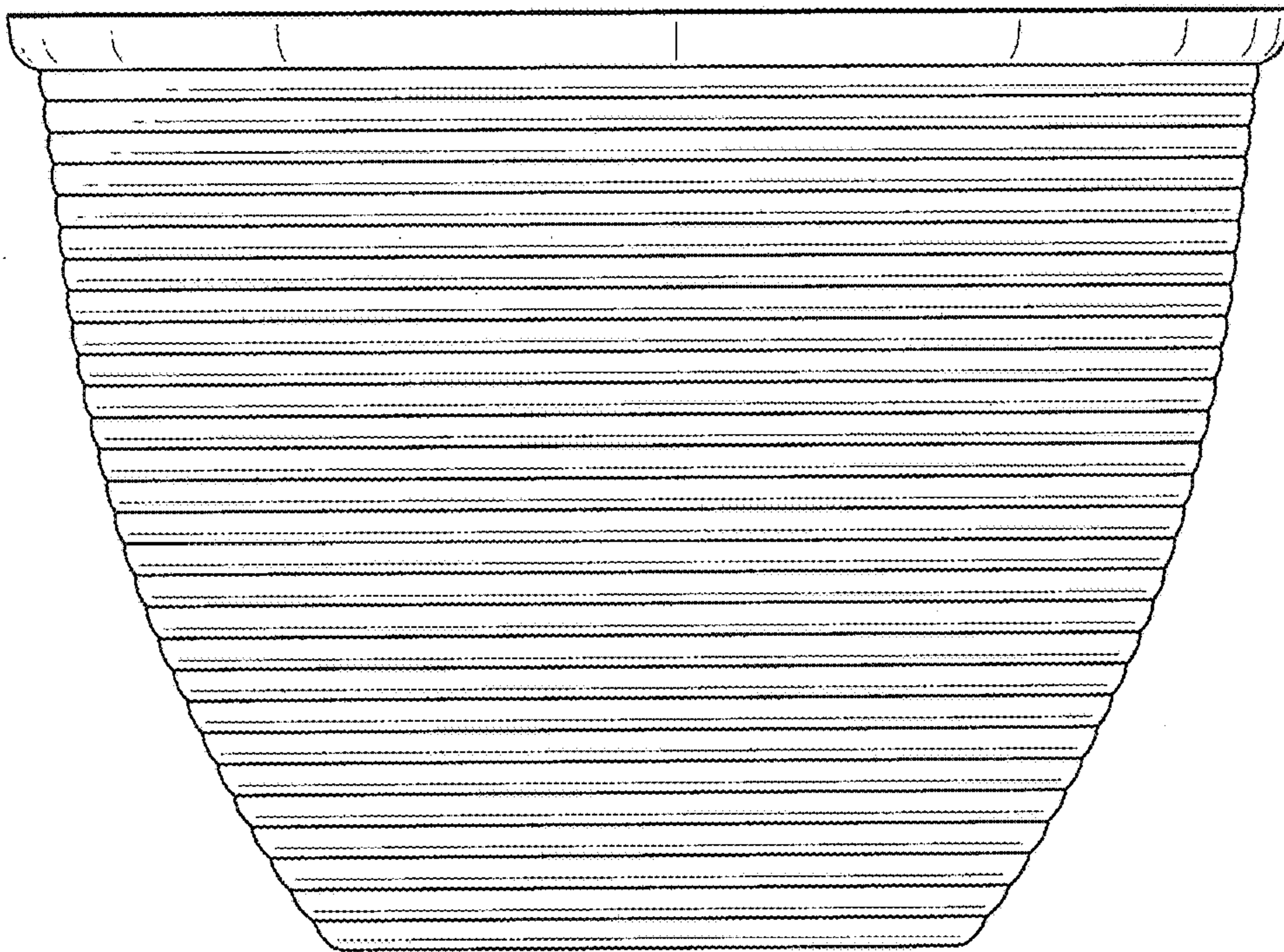


FIG. 3

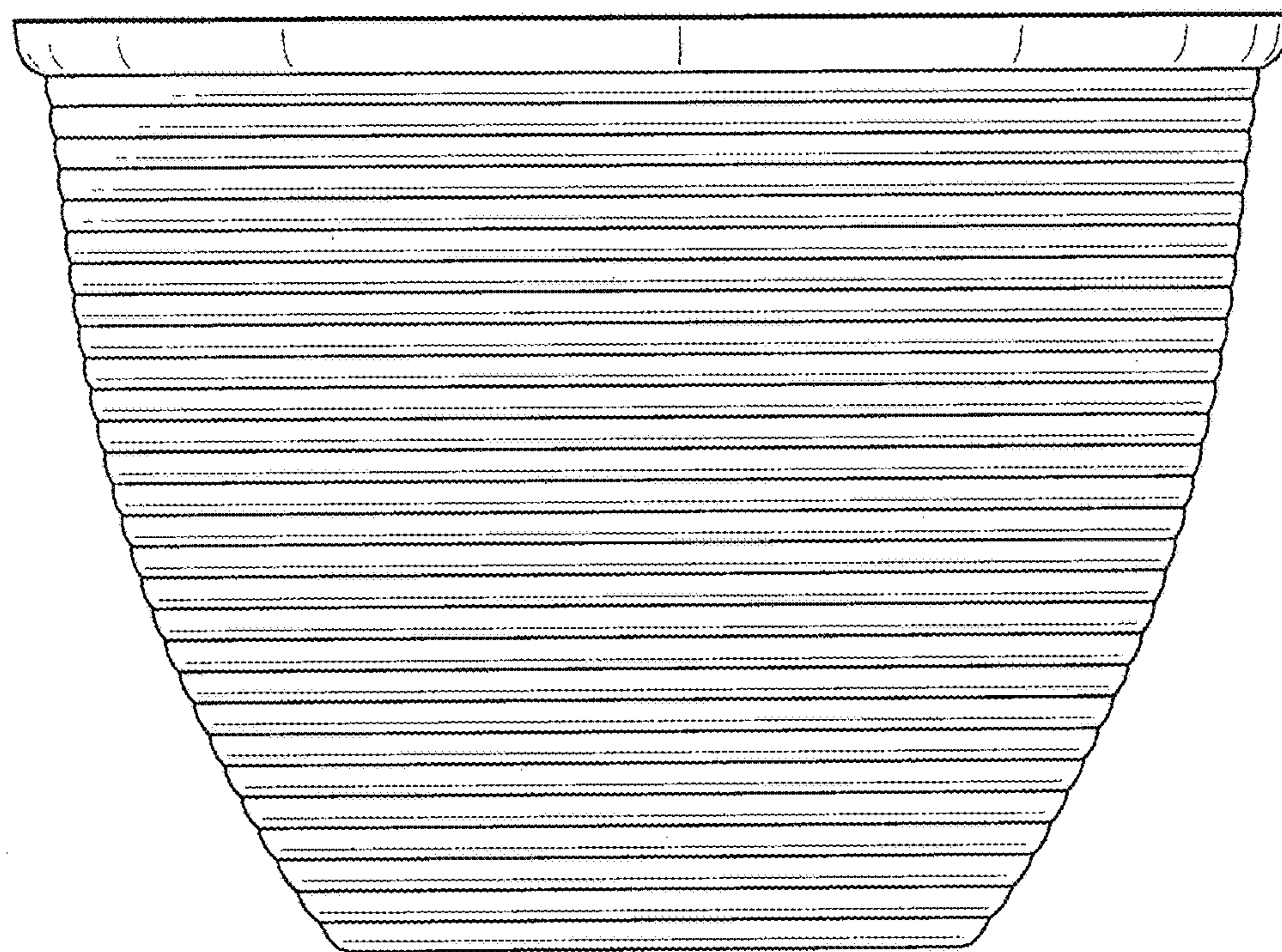


FIG. 4

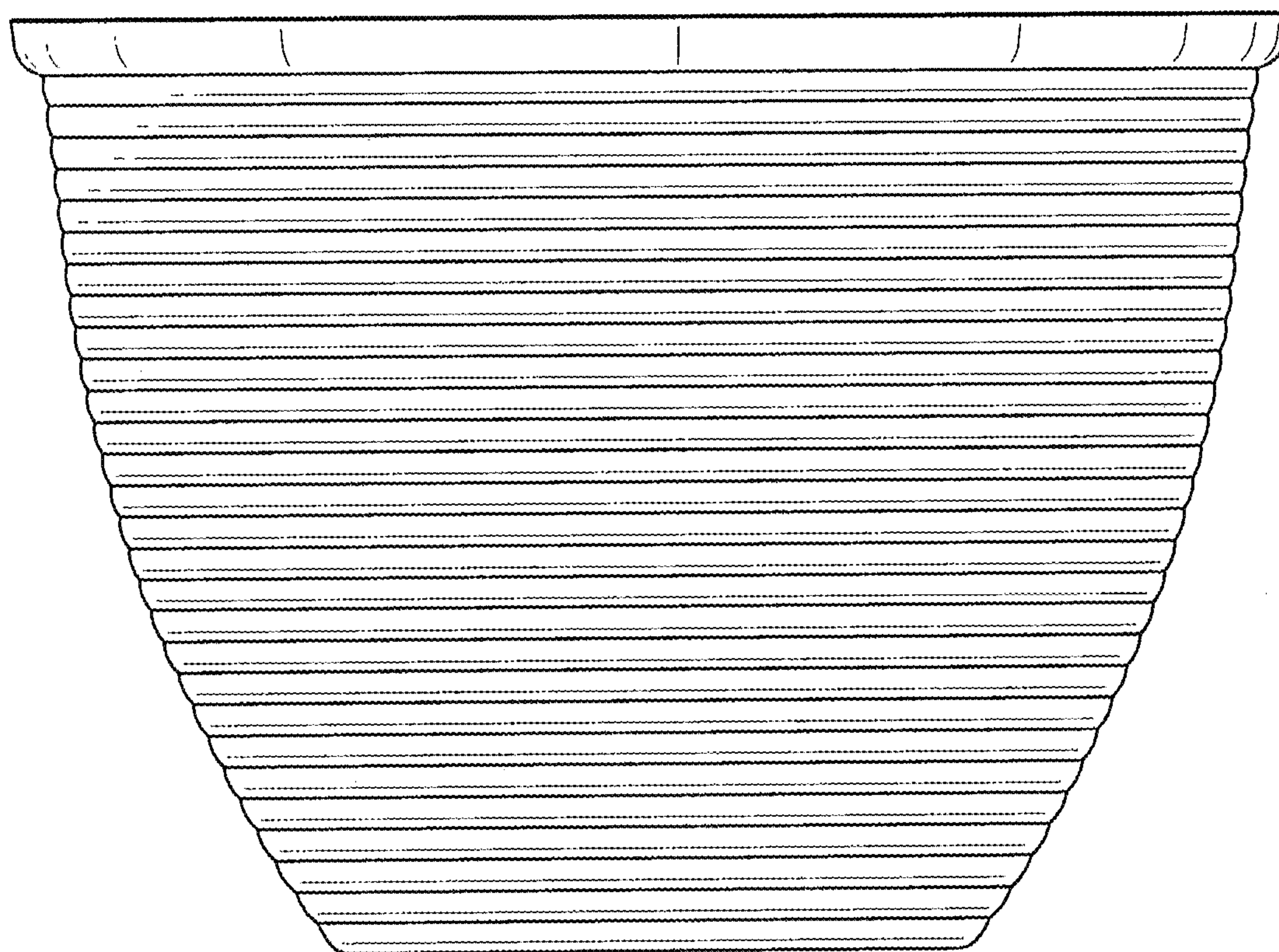


FIG. 5

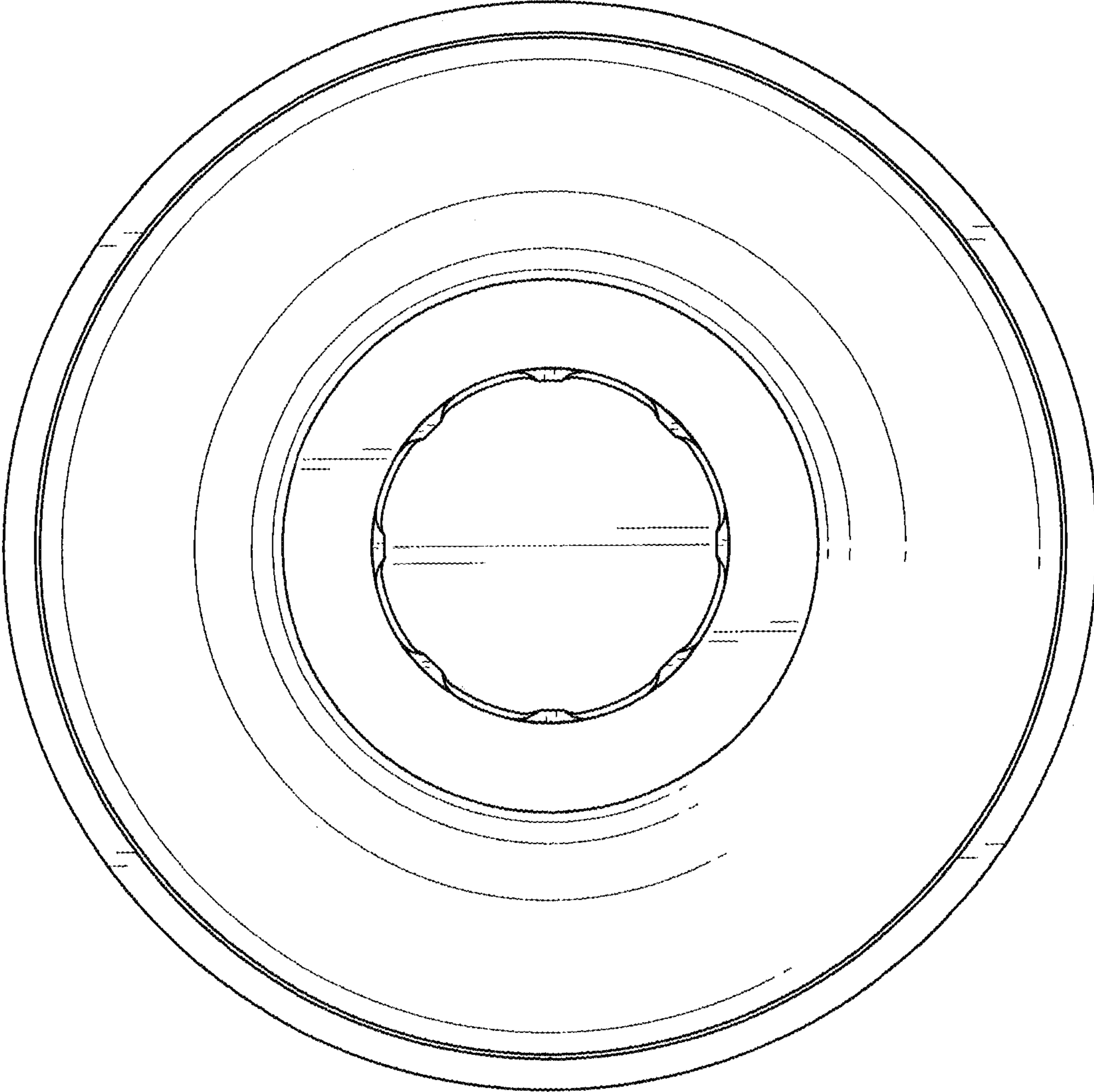


FIG. 6

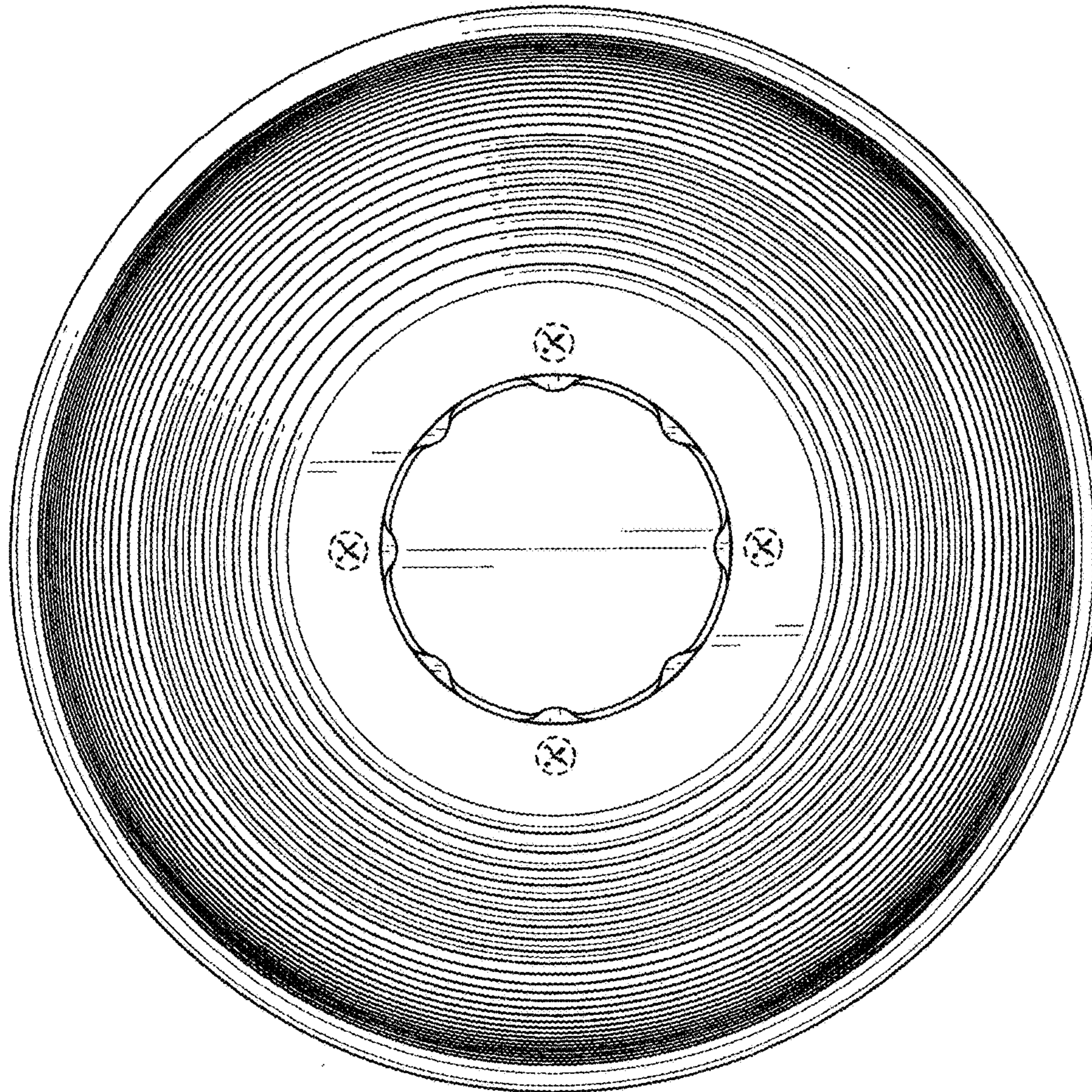


FIG. 7

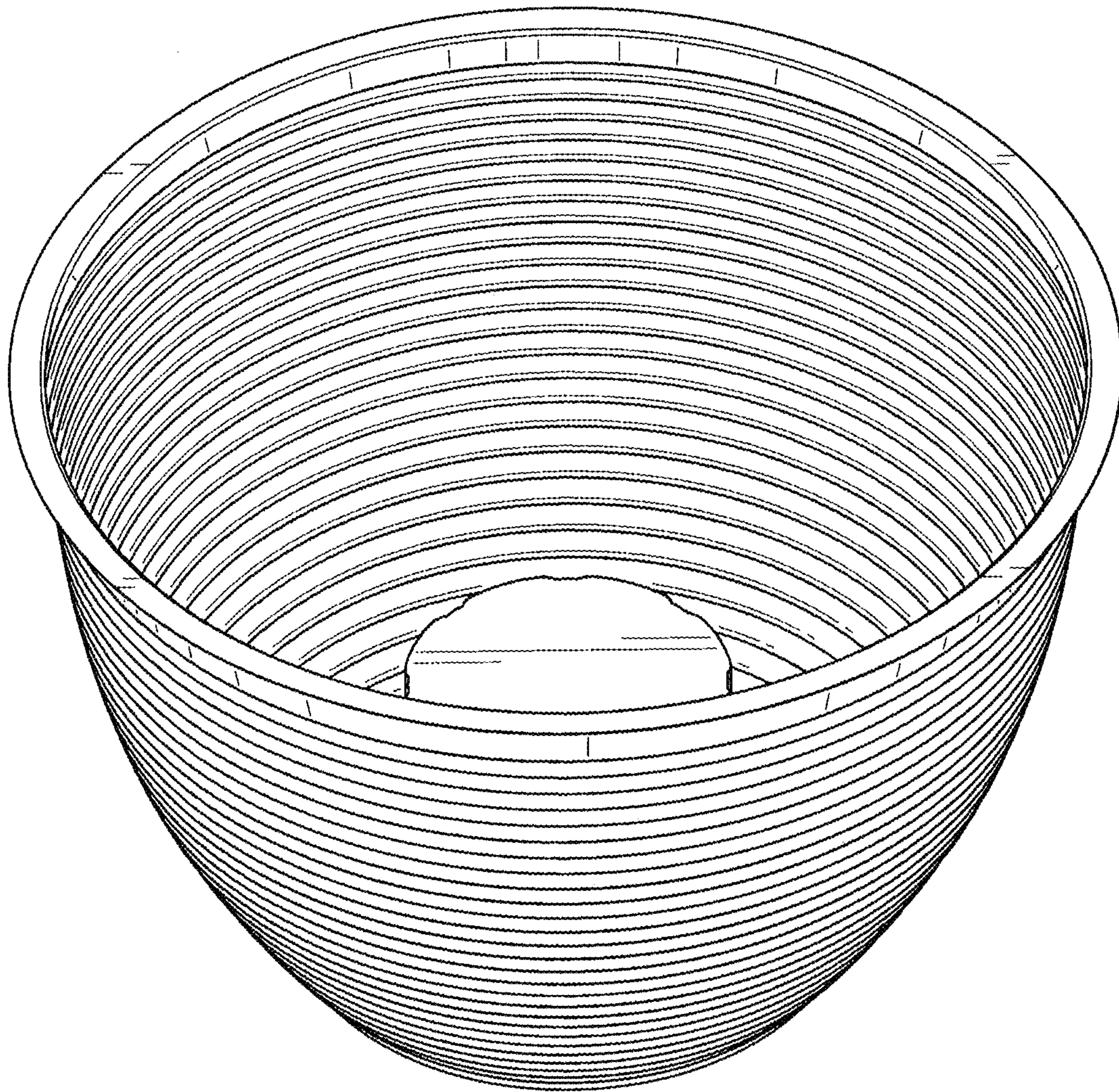


FIG. 8

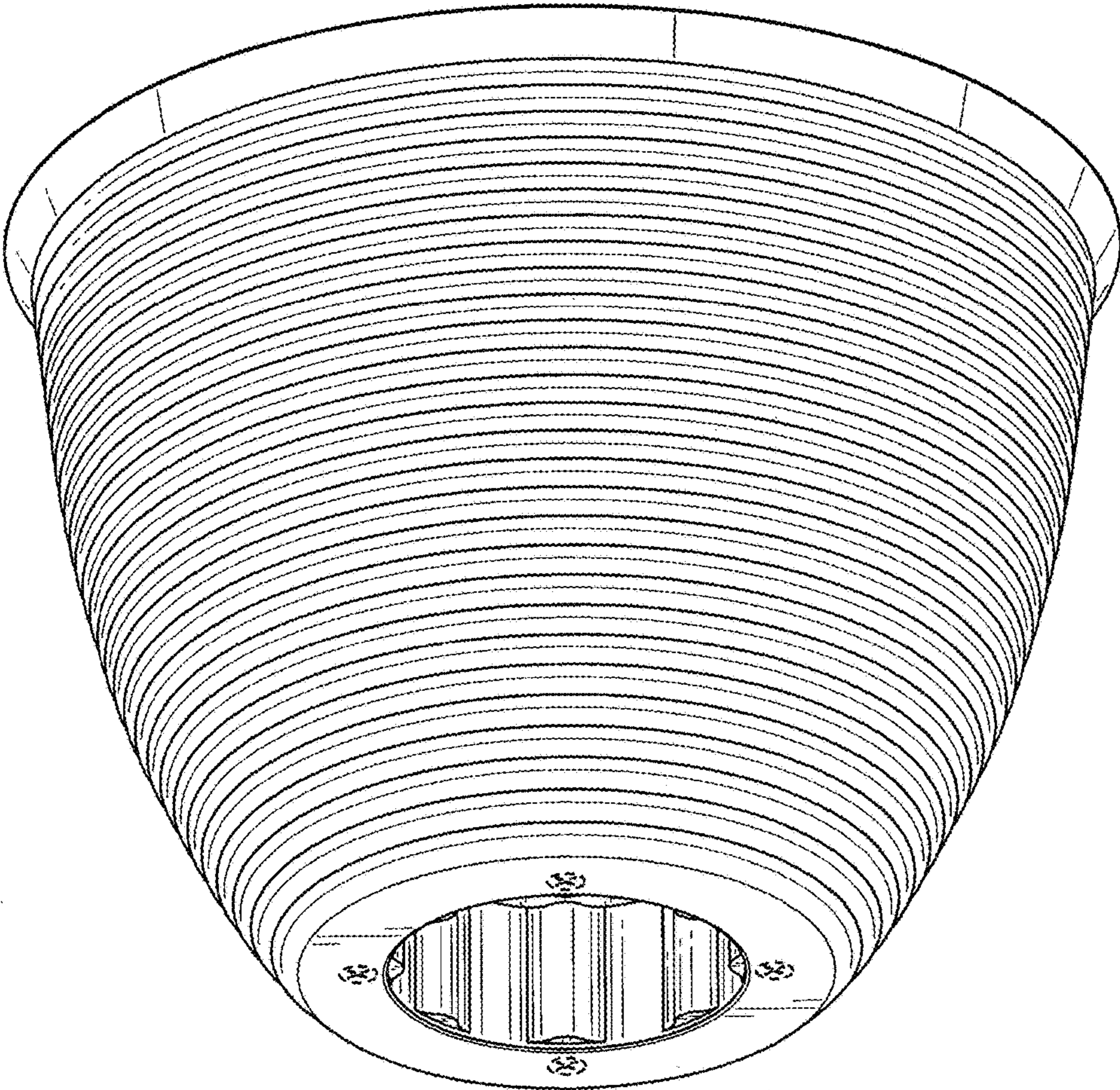


FIG. 9