



US00D820714S

(12) **United States Design Patent** (10) **Patent No.:** **US D820,714 S**
Zylka (45) **Date of Patent:** **** Jun. 19, 2018**

(54) **RING**
(71) Applicant: **Edward Zylka**, New York, NY (US)
(72) Inventor: **Edward Zylka**, New York, NY (US)
(**) Term: **15 Years**
(21) Appl. No.: **29/551,482**
(22) Filed: **Jan. 13, 2016**

D136,136 S 8/1943 Sager
D140,867 S 4/1945 Pommier
D172,012 S 4/1954 Erianger
4,043,145 A 8/1977 Chervin
D257,019 S 9/1980 Barr
D273,261 S * 4/1984 Sun D11/38
D412,458 S 8/1999 Hollander
D424,965 S * 5/2000 Gueit D11/26
D439,189 S * 3/2001 Gueit D11/26
D454,314 S * 3/2002 Stewart D11/27
D454,513 S * 3/2002 Gueit D11/26
D456,734 S * 5/2002 Stewart D11/27
D492,216 S 6/2004 Schubach
D519,398 S 4/2006 Bulgari

(Continued)

Related U.S. Application Data

(66) Substitute for application No. 29/468,645, filed on Oct. 1, 2013, now abandoned.
(51) **LOC (11) Cl.** **11-01**
(52) **U.S. Cl.**
USPC **D11/26**
(58) **Field of Classification Search**
USPC D11/1, 2, 3, 4, 5, 26-39, 79; D7/633
CPC A44C 1/00; A44C 3/00; A44C 5/00; A44C 5/0007; A44C 5/0015; A44C 5/0023; A44C 5/003; A44C 5/0038; A44C 5/0046; A44C 5/0053; A44C 5/0061; A44C 5/0084; A44C 5/0092; A44C 9/00; A44C 9/0007; A44C 9/0015; A44C 9/0023; A44C 9/003; A44C 9/0038; A44C 9/0046; A44C 9/0053; A44C 9/0061; A44C 9/0069; A44C 9/0076; A44C 15/0025; A44C 15/003
See application file for complete search history.

OTHER PUBLICATIONS

[online] https://img1.etsystatic.com/004/0/5419232/il_fullxfull.373663783_7pgm.jpg. Retrieved Dec. 8, 2017.*

(Continued)

Primary Examiner — Melanie Pellegrini
(74) *Attorney, Agent, or Firm* — Quickpatents, LLC; Kevin Prince

(57) **CLAIM**

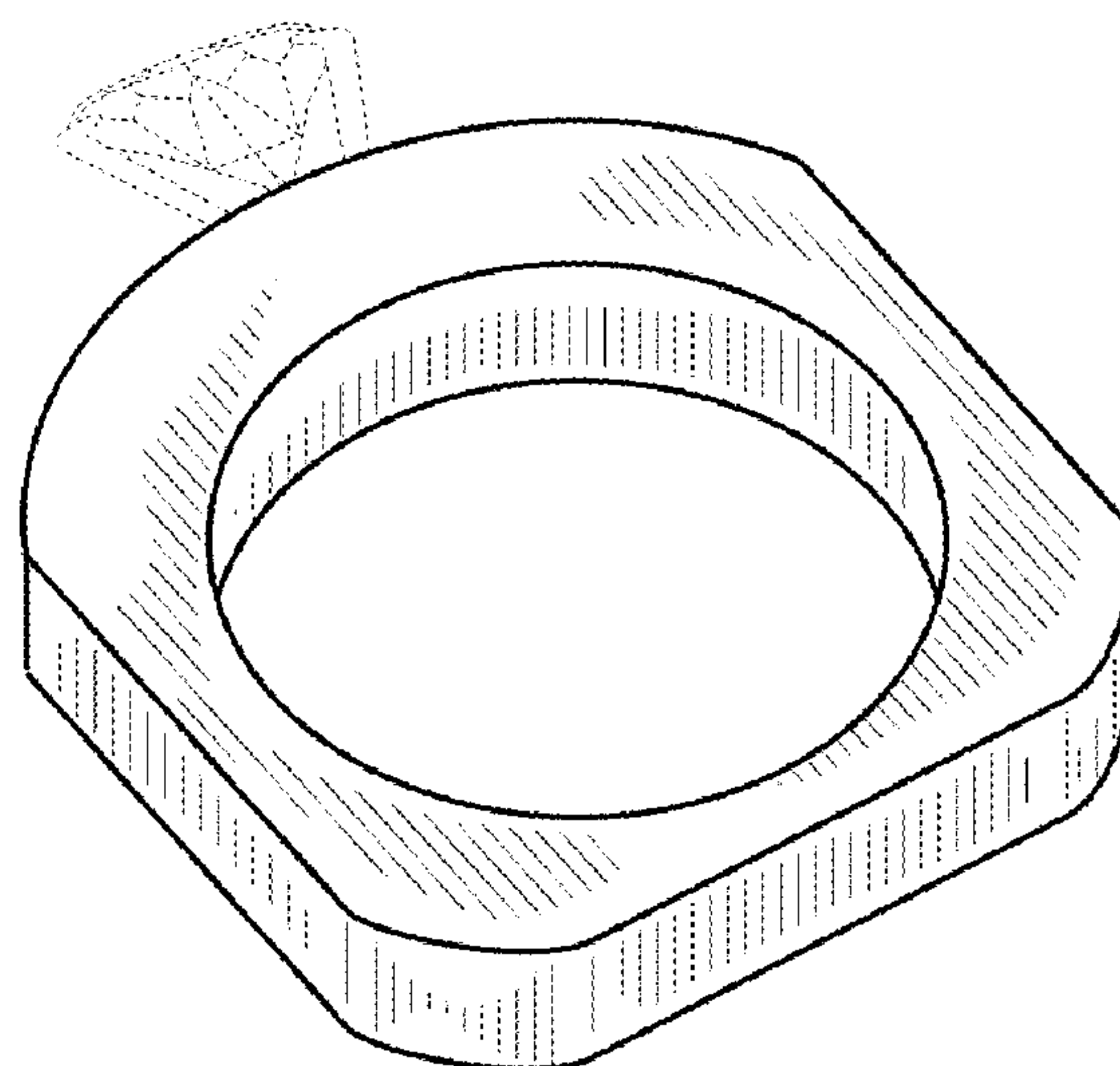
I claim the ornamental design for a ring, as shown and described.

DESCRIPTION

FIG. 1 is a bottom perspective view of a ring, showing my new design;
FIG. 2 is a front elevational view thereof, the rear elevational view being a mirror image thereof;
FIG. 3 is a left-side elevational view thereof, the right-side elevational view being a mirror image thereof; and,
FIG. 4 is a bottom plan view thereof.
The broken lines showing a gem in FIG. 1 depict environmental matter and form no part of the claimed design.

1 Claim, 1 Drawing Sheet

(56) **References Cited**
U.S. PATENT DOCUMENTS
D59,236 S 10/1921 Lapidus
D59,314 S * 10/1921 Winsen D11/38
D61,982 S * 2/1923 Lapidus 63/3
D67,567 S * 6/1925 Alterton 63/15
D114,450 S 4/1939 Lannes



(56)

References Cited

U.S. PATENT DOCUMENTS

D531,927 S 11/2006 Fogel
D560,135 S 1/2008 Kohl
D600,585 S 9/2009 Fox
D604,193 S * 11/2009 Kohl D11/26
D641,650 S 7/2011 Bodino
D669,811 S 10/2012 Hustik
D710,740 S 8/2014 Schmidt
D747,659 S * 1/2016 Coin D11/3
D779,366 S * 2/2017 Rose D11/26
D779,367 S * 2/2017 Rose D11/26

OTHER PUBLICATIONS

[online] Mango Tree Shop's "Geometric Rounded Square Ring."
<https://web.archive.org/web/20150215073136/https://mangotreeshop.com/collections/rings>. Posted online at least as early as Feb. 15, 2015 via archive.org. Retrieved Dec. 8, 2017.*

[online] https://cdn.shopify.com/s/files/1/0002/1217/products_square_medium_wedding_band_with_moissanite_large.jpg?v=1466356089. Retrieved Dec. 8, 2017.*

* cited by examiner

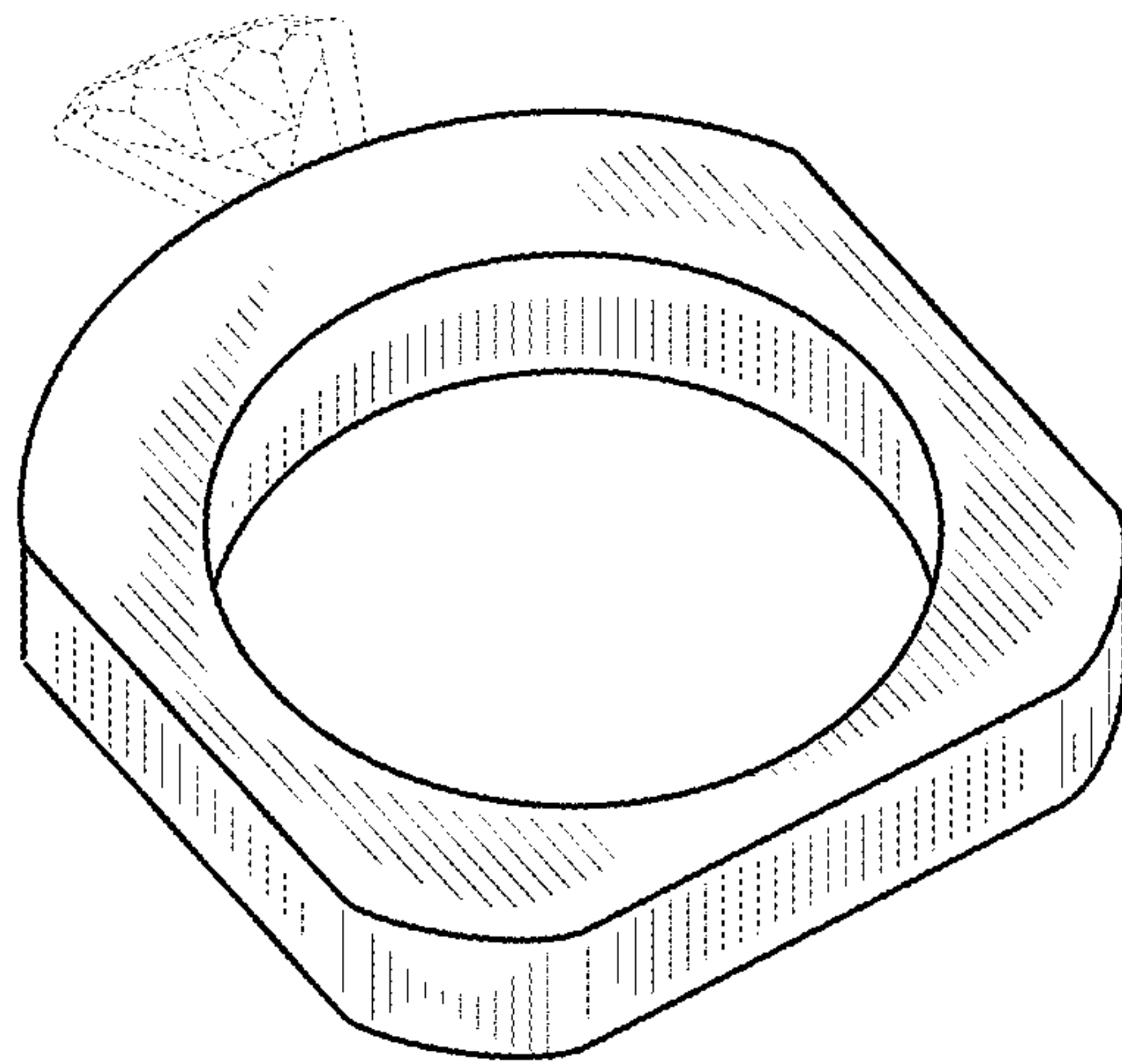


FIG. 1

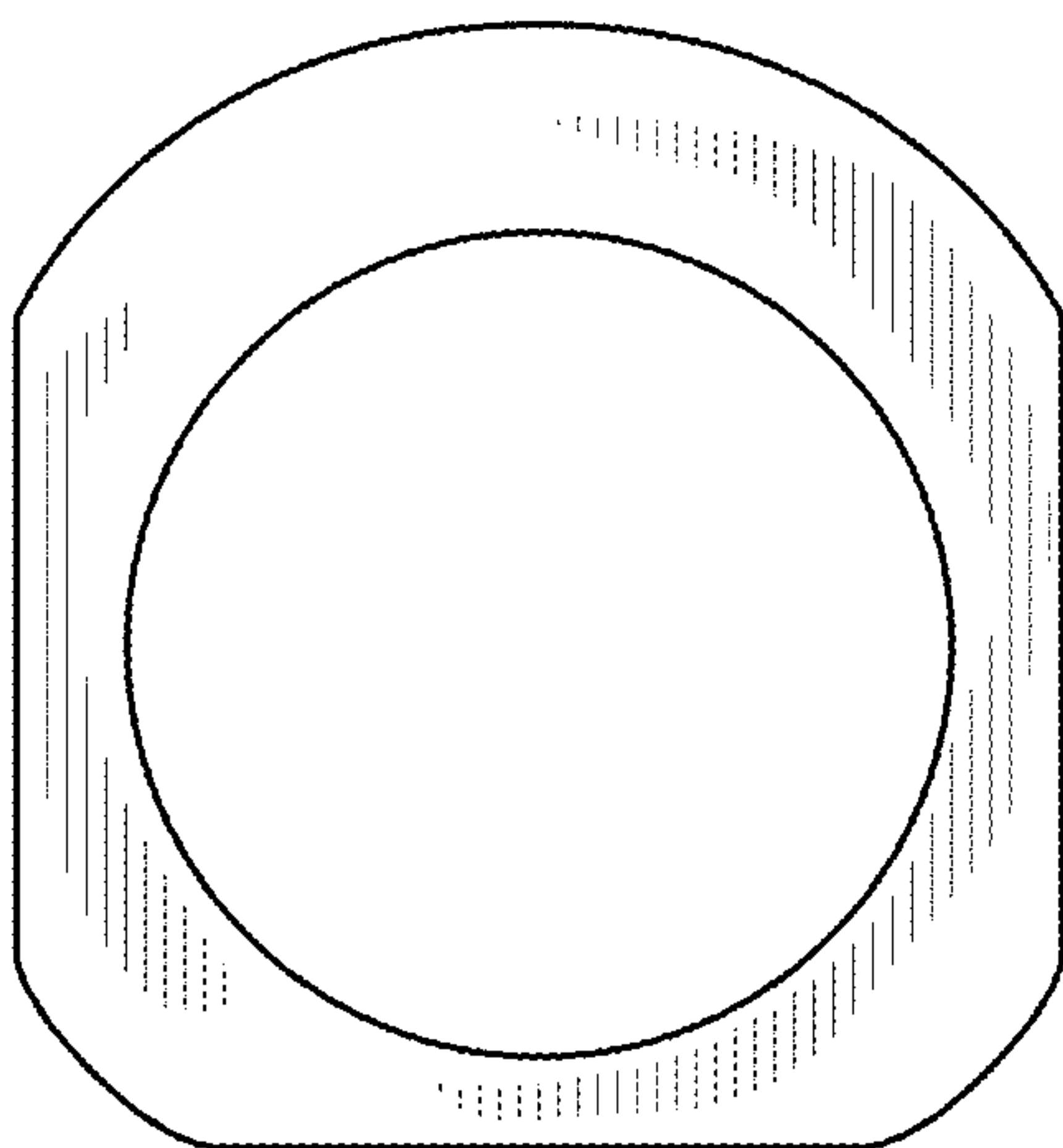


FIG. 2



FIG. 3



FIG. 4