



US00D820713S

(12) **United States Design Patent**  
**Oh et al.**

(10) **Patent No.:** **US D820,713 S**  
(45) **Date of Patent:** **\*\* Jun. 19, 2018**

(54) **WRISTBAND FOR PORTABLE ELECTRONIC DEVICE**

(71) Applicant: **Samsung Electronics Co., Ltd.**, Suwon-si (KR)

(72) Inventors: **Sanhui Oh**, Seoul (KR); **Kwangha Choi**, Seoul (KR); **Yongseok Bang**, Yongin-si (KR); **Jaehyung Hong**, Seoul (KR)

(73) Assignee: **SAMSUNG ELECTRONICS CO., LTD.**, Suwon-si (KR)

(\*\*) Term: **15 Years**

(21) Appl. No.: **29/582,590**

(22) Filed: **Oct. 28, 2016**

(30) **Foreign Application Priority Data**

Aug. 24, 2016 (KR) ..... 30-2016-0041398

(51) **LOC (11) Cl.** ..... **11-01**

(52) **U.S. Cl.**  
USPC ..... **D11/3**

(58) **Field of Classification Search**  
USPC ..... D11/1–13, 86, 93, 94; D10/30–32, 38, D10/40; D14/344; D3/201, 214, 215  
CPC ..... A44C 5/00; A44C 5/0053; A44C 5/0061; A44C 5/0069; A44C 5/0076; A44C 5/02; A44C 5/022; A44C 5/025; A44C 5/027; A44C 5/08; A44C 5/10; A44C 5/102; A44C 5/105; A44C 5/107; A44C 11/00; A44C 11/002; A44C 11/005; A44C 11/007; A44C 13/00; G06F 1/163; G09F 3/005

See application file for complete search history.

(56) **References Cited**

**U.S. PATENT DOCUMENTS**

D306,981 S \* 4/1990 Bettelini ..... D11/3  
D391,871 S \* 3/1998 Brzezinski ..... D10/32

D487,402 S \* 3/2004 Dubarry ..... D10/32  
D526,574 S \* 8/2006 Plange ..... D10/32  
D533,468 S \* 12/2006 Loth ..... D10/32  
D536,996 S \* 2/2007 Loth ..... D10/32  
D591,177 S \* 4/2009 Schoepfer ..... D10/32

(Continued)

**FOREIGN PATENT DOCUMENTS**

CN 303709431 S 6/2016

**OTHER PUBLICATIONS**

Orf, Darren, “The LG Watch Urbane 2 Is Android Wear’s First LTE Smartwatch, and Its Big As Hell”, Gizmodo Oct. 1, 2015, <http://gizmodo.com/the-lg-watch-urbane-2-is-android-wears-first-lte-smartw-1734011464> (Last accessed Oct. 24, 2016).

(Continued)

*Primary Examiner* — Cynthia Ramirez

*Assistant Examiner* — L. Martinez-Rivera

(74) *Attorney, Agent, or Firm* — McAndrews Held & Malloy, Ltd.

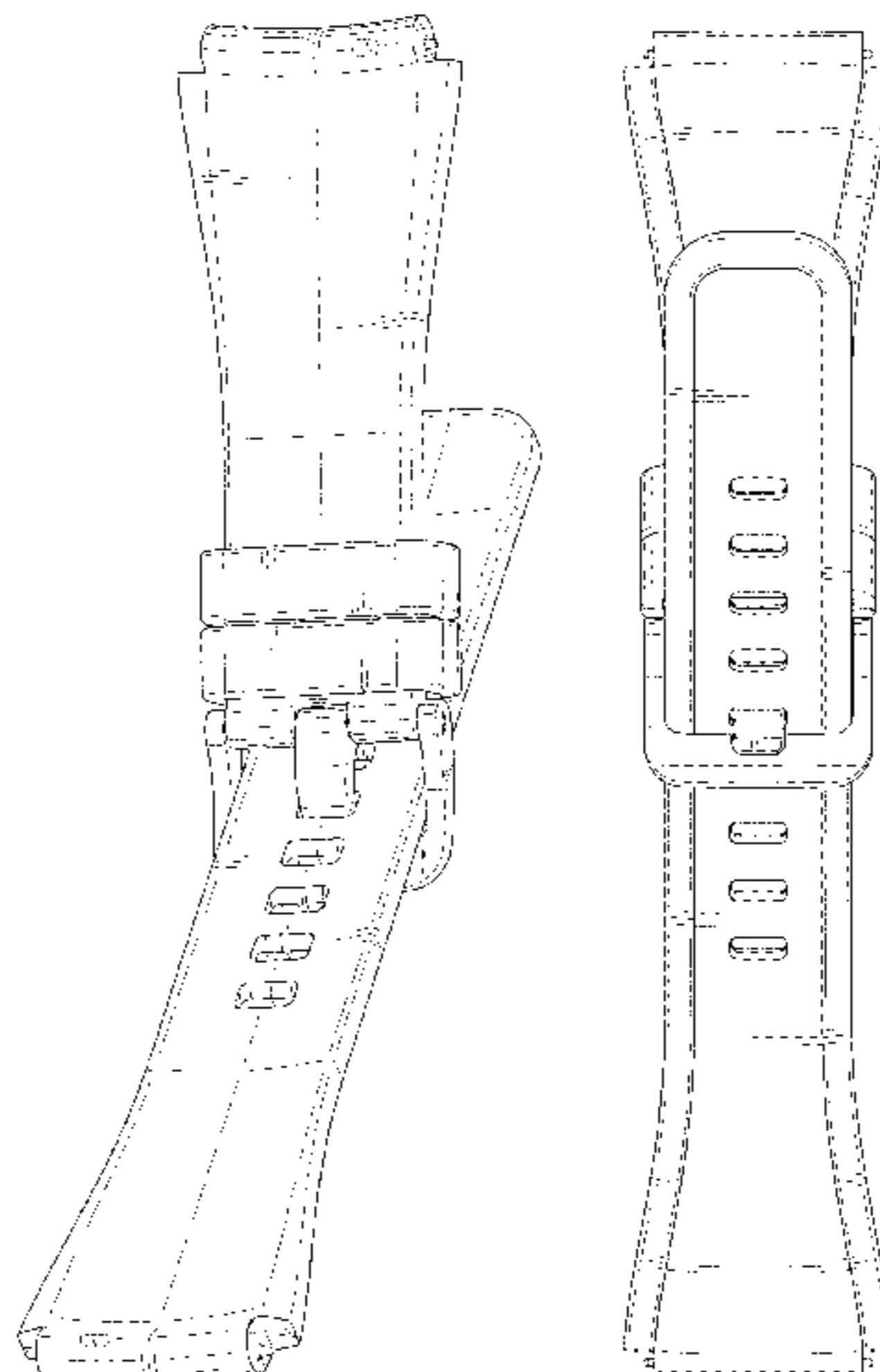
(57) **CLAIM**

The ornamental design for a wristband for portable electronic device, as shown and described.

**DESCRIPTION**

FIG. 1 is a front perspective view of a wristband for portable electronic device showing our new design; FIG. 2 is a front elevation view thereof; FIG. 3 is a rear elevation view thereof; FIG. 4 is a left side elevation view thereof; FIG. 5 is a right side elevation view thereof; FIG. 6 is a top plan view thereof; FIG. 7 is a bottom plan view thereof; and, FIG. 8 is a rear perspective view thereof. The dashed broken lines in the drawings represent portions of the wristband for portable electronic device that form no part of the claimed design.

**1 Claim, 7 Drawing Sheets**



(56)

**References Cited**

U.S. PATENT DOCUMENTS

D612,749 S \* 3/2010 Loth ..... D10/32  
D622,163 S \* 8/2010 Loth ..... D10/32  
D644,952 S \* 9/2011 Rabassa ..... D11/3  
D680,884 S \* 4/2013 Bernard ..... D10/32  
D791,634 S \* 7/2017 Bang ..... D11/3  
D793,271 S \* 8/2017 Cerrato ..... D11/3  
D800,007 S \* 10/2017 Tibi ..... D11/3  
2012/0250471 A1\* 10/2012 Bianco ..... A44C 5/00  
368/282  
2017/0188668 A1\* 7/2017 Watterson ..... A44C 5/0015

OTHER PUBLICATIONS

“Replica Hublot 44mm 301.PB.131.RX”, <http://www.everlastings.cn/replica-hublot-44mm-301pb131rx-p-475.html> (Last accessed Oct. 24, 2016).

\* cited by examiner

FIG. 1

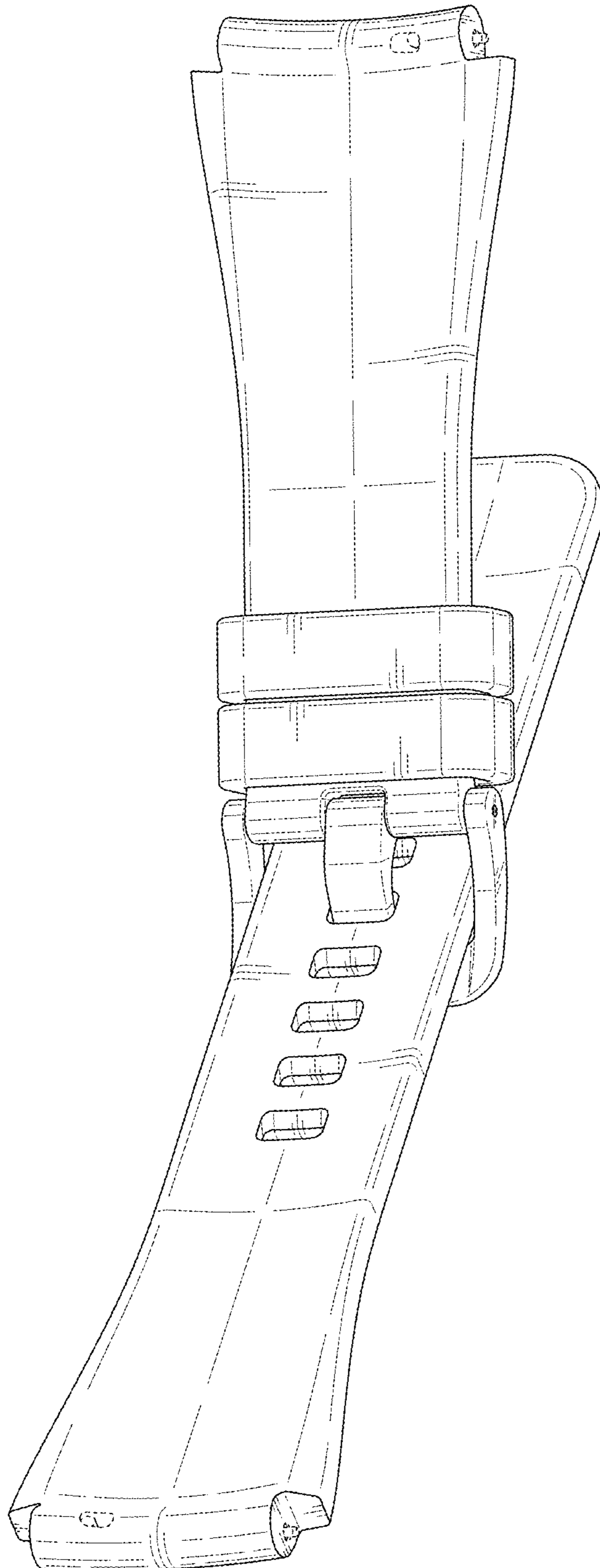


FIG. 2

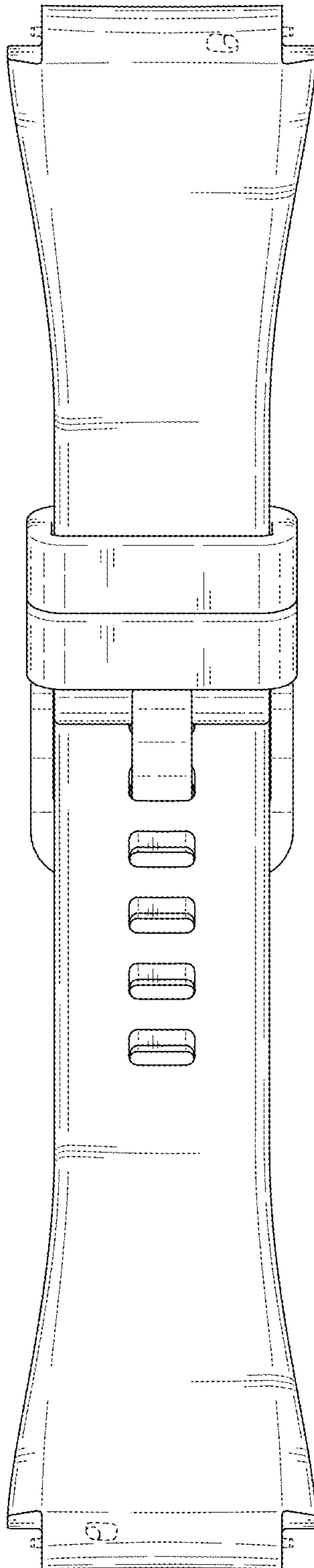


FIG. 3

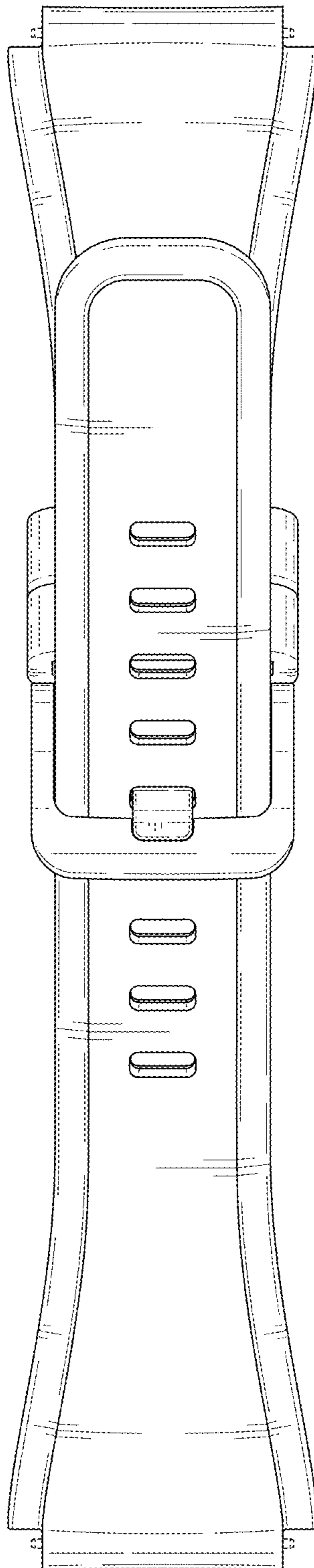


FIG. 4

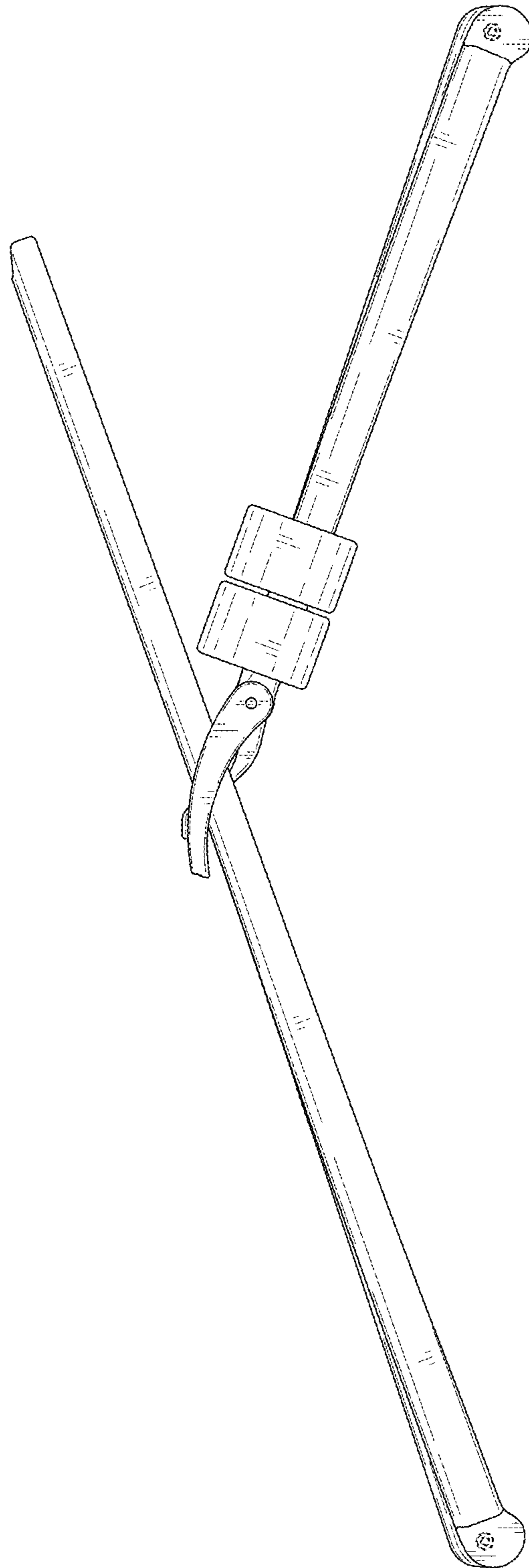




FIG. 5

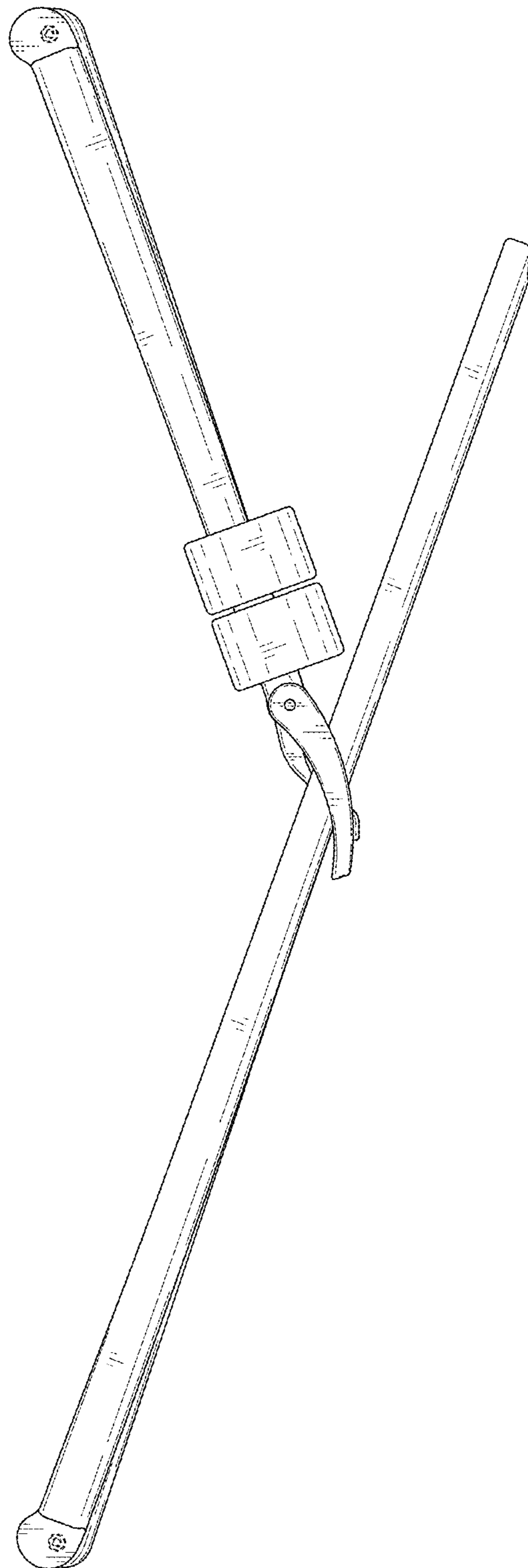


FIG. 6

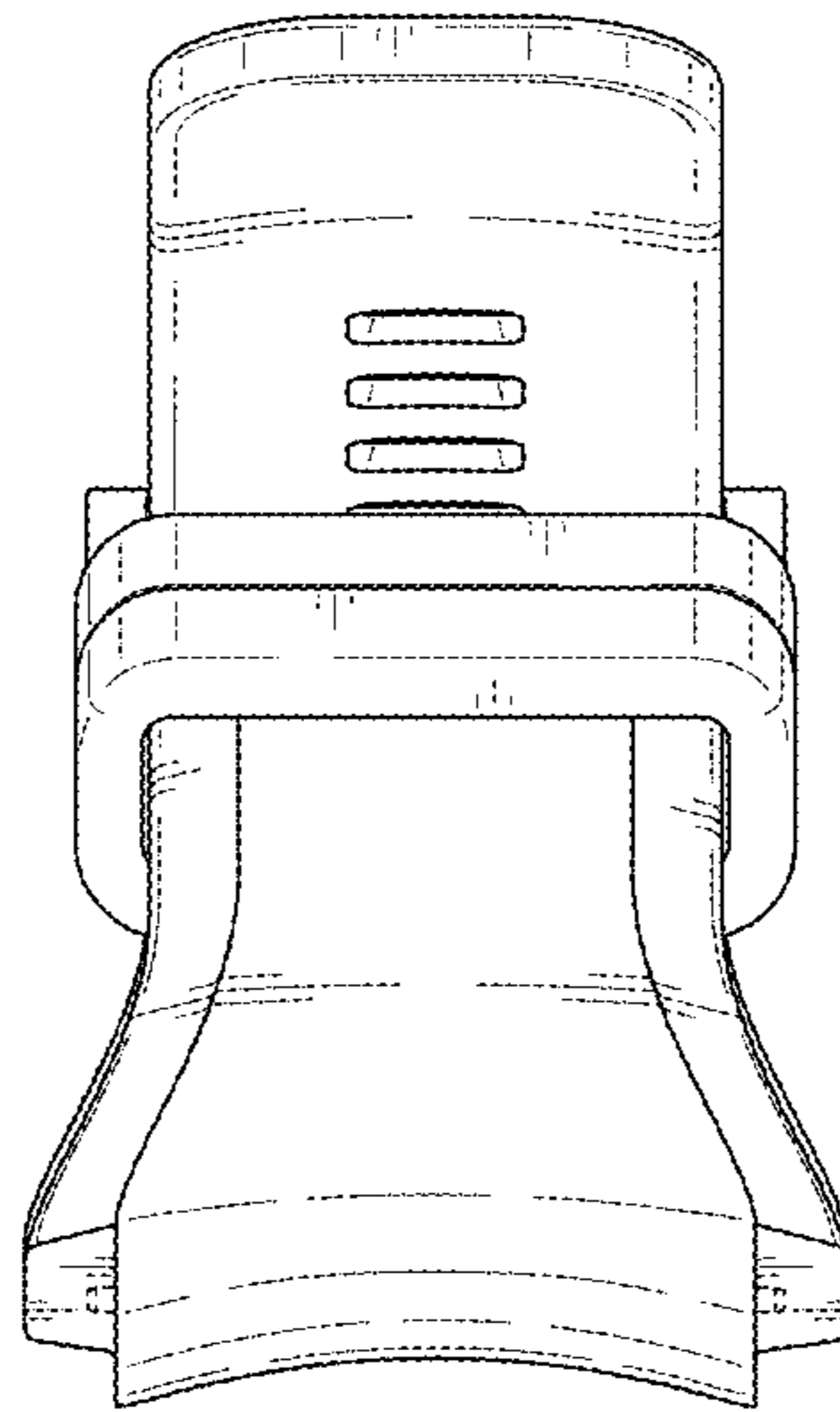


FIG. 7

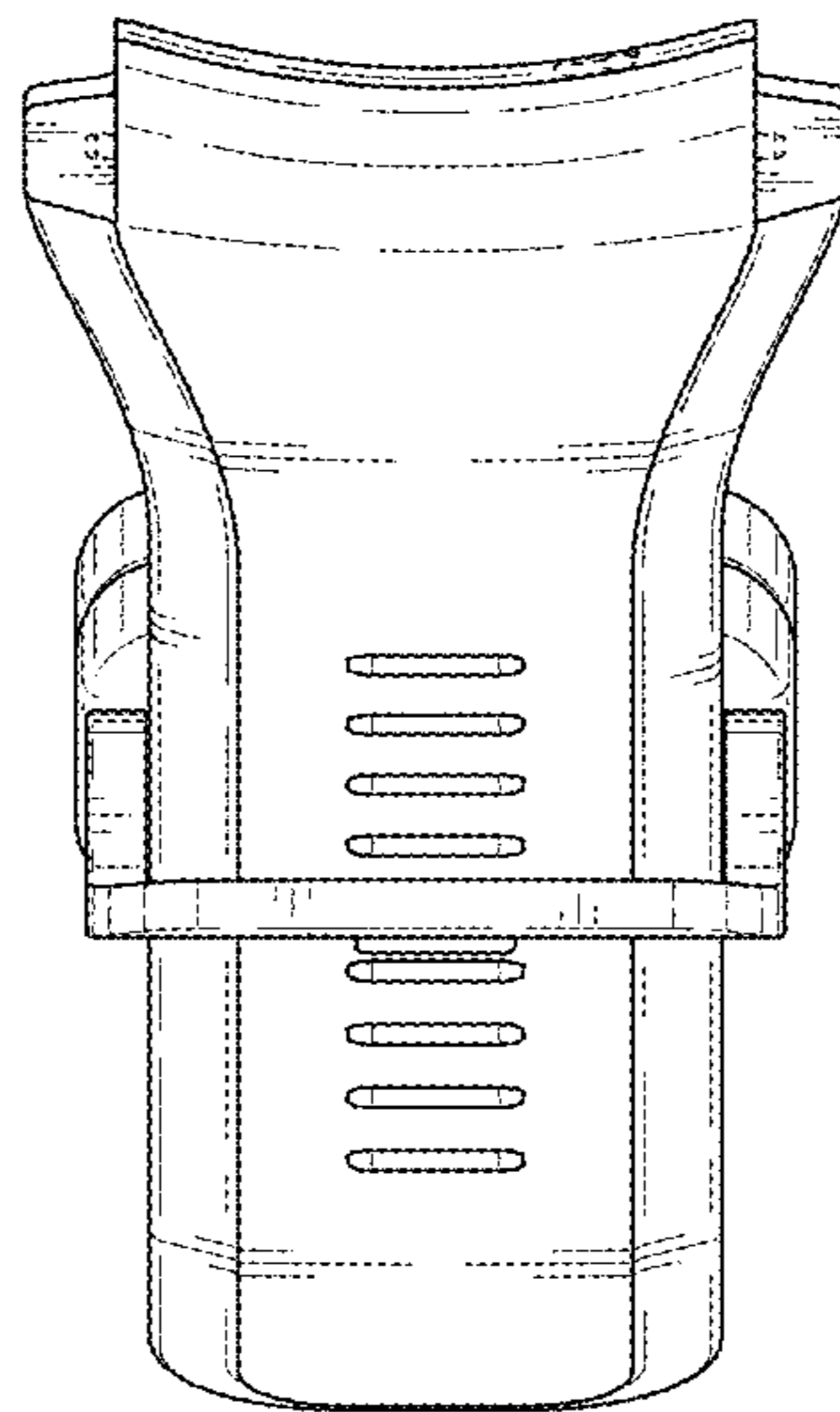




FIG. 8

