

US00D820709S

(12) **United States Design Patent**
Joseph

(10) **Patent No.:** **US D820,709 S**
(45) **Date of Patent:** **** Jun. 19, 2018**

(54) **FLANGE OF A SAMPLING POINT ASSEMBLY**

(71) Applicant: **Xtralis Global**, Dublin (IE)

(72) Inventor: **Steve William Joseph**, Portland, OR (US)

(73) Assignee: **Xtralis Global**, Dublin (IE)

(**) Term: **14 Years**

(21) Appl. No.: **29/522,667**

(22) Filed: **Apr. 1, 2015**

(51) **LOC (11) Cl.** **10-06**

(52) **U.S. Cl.**
USPC **D10/121**

(58) **Field of Classification Search**
USPC D23/332-333, 335-336, 355-356, 359, D23/360, 364, 366, 371; D10/106.2, D10/106.5, 121
CPC .. F24F 3/1603; F24F 3/166; F24F 2001/0096; F24F 2003/1617; F24F 3/16; A61L 2209/14; B01D 46/42; B01D 46/0005; B01D 46/00
See application file for complete search history.

(56) **References Cited**

U.S. PATENT DOCUMENTS

D211,065 S *	5/1968	Wolfe	D10/106.5
D220,590 S *	4/1971	Wolfe	D10/106.5
D253,525 S *	11/1979	Wilson	D10/106.5
D258,943 S *	4/1981	Ng	D10/106.5
D371,824 S *	7/1996	Price	D23/207
D383,407 S *	9/1997	Repp	D10/106.5
D388,351 S *	12/1997	Repp	D10/106.5
D388,352 S *	12/1997	Repp	D10/106.5
D403,752 S *	1/1999	Rademaker	D23/260
D431,512 S *	10/2000	Pink	D12/197
D528,192 S *	9/2006	Nicholson	D23/260
D530,796 S *	10/2006	Zielke	D23/262

7,414,538 B2 *	8/2008	Cook	G08B 17/10 340/628
D579,077 S *	10/2008	Quintel	D23/209
7,604,018 B2 *	10/2009	King	B01F 1/0033 137/1
D622,170 S *	8/2010	Cargile	D10/106.5
D625,977 S *	10/2010	Watson	D23/262
7,922,982 B1 *	4/2011	Brennan	C02F 1/688 210/167.11
D638,514 S *	5/2011	Farley	D23/209
D668,164 S *	10/2012	Cowles	D10/70
D723,961 S *	3/2015	Treadwell	D10/106.5
D733,841 S *	7/2015	Uscinski	D23/259

(Continued)

OTHER PUBLICATIONS

“Xtralis Flush Mount Sampling Point” Jul. 28, 2016, Xtralis, site visited Oct. 7, 2016. <http://xtralis.com/product_view.cfm?product_id=169>.*

Primary Examiner — Kevin K Rudzinski

Assistant Examiner — Jack Reickel

(74) *Attorney, Agent, or Firm* — Boyle Fredrickson, S.C.

(57) **CLAIM**

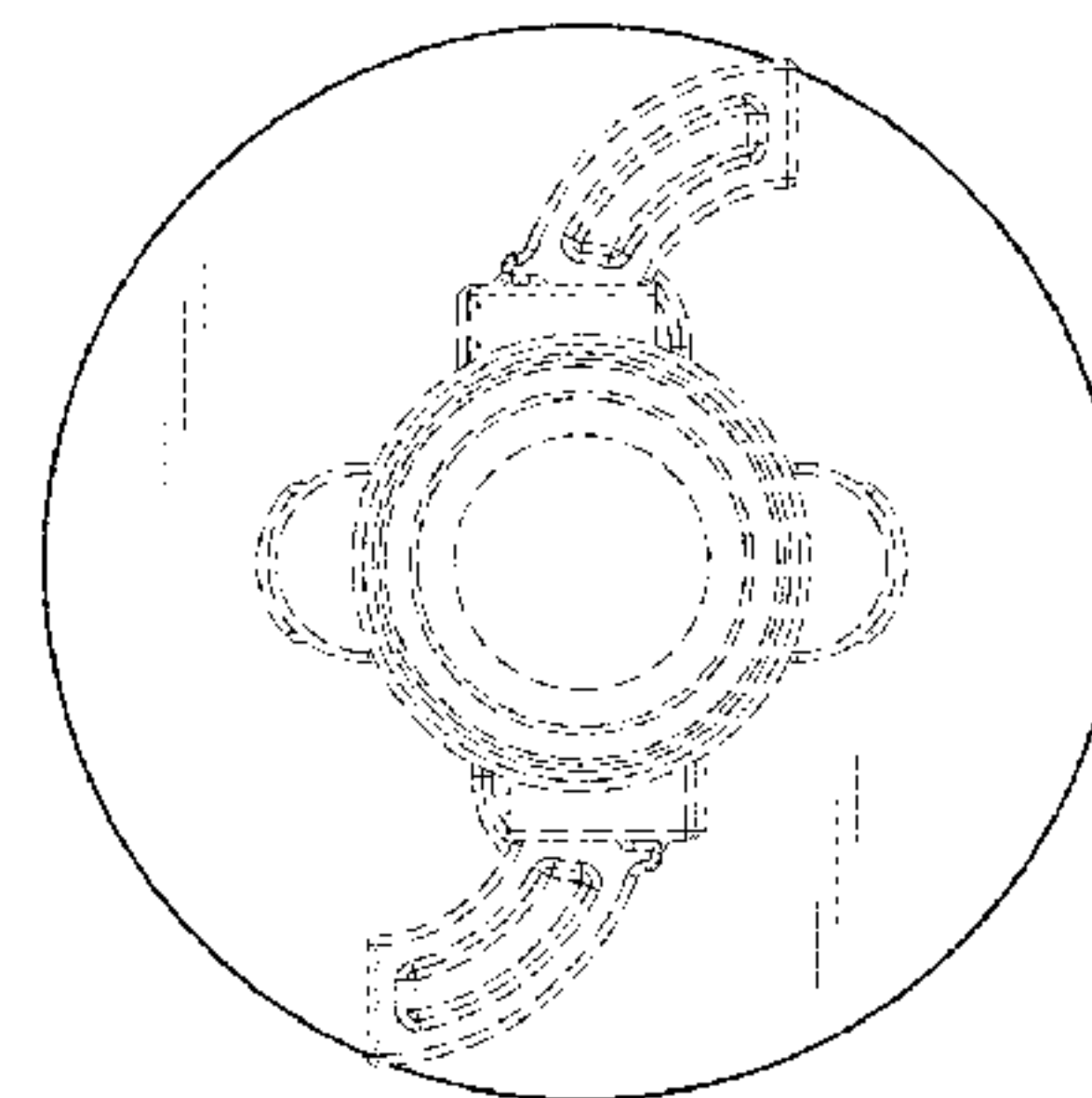
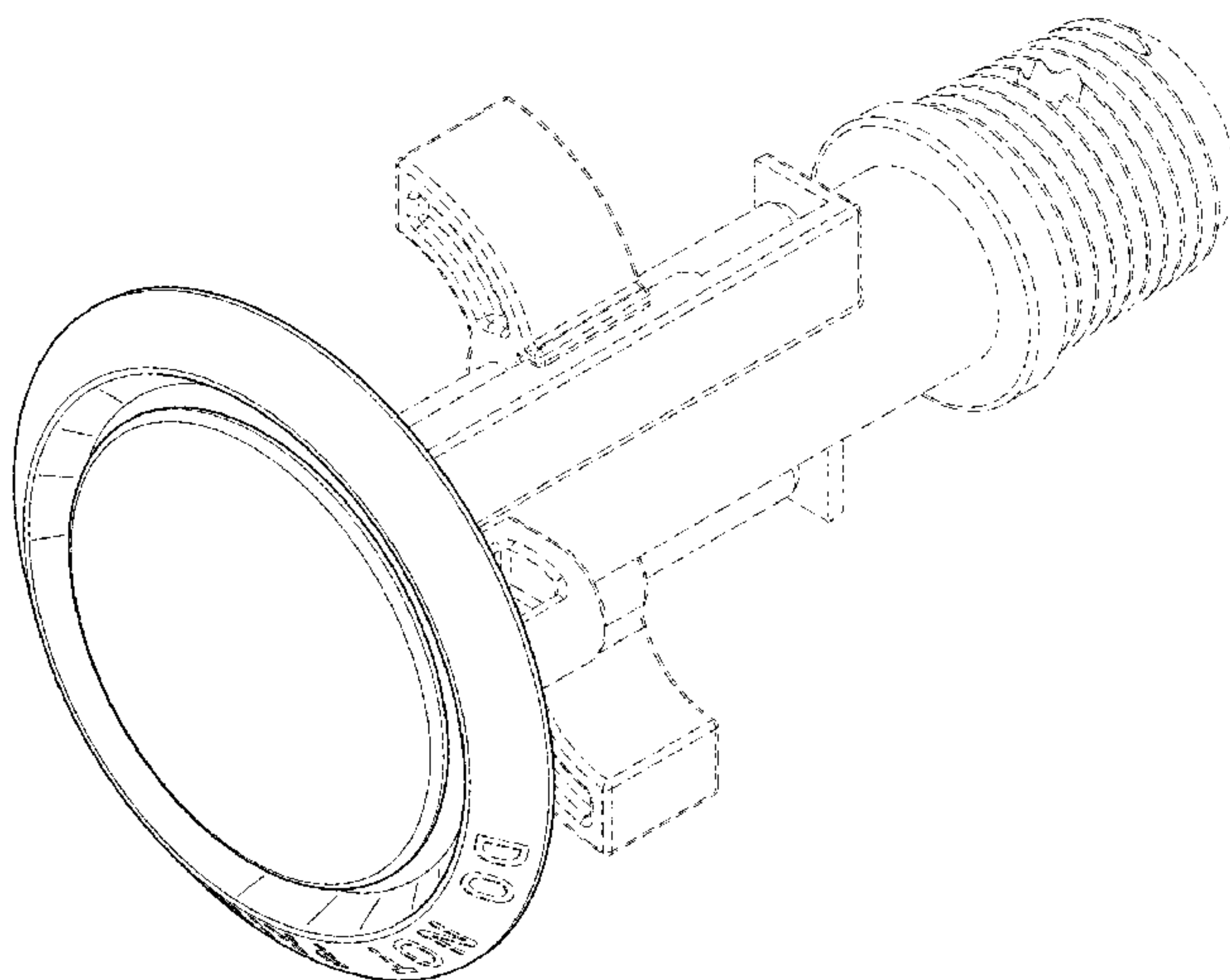
The ornamental design for a flange of a sampling point assembly, as shown and described.

DESCRIPTION

FIG. 1 is a perspective view of a flange of a sampling point assembly showing my new design; FIG. 2 is a top view thereof; FIG. 3 is a bottom view thereof; FIG. 4 is a first side view thereof; FIG. 5 is a second side view thereof; FIG. 6 is a front view thereof; and, FIG. 7 is a rear view thereof.

The broken lines showing of a sampling point is included for the purpose of illustrating portions of the article and forms no part of the claimed design.

1 Claim, 4 Drawing Sheets



(56)

References Cited

U.S. PATENT DOCUMENTS

D736,344 S * 8/2015 Chalifoux D23/208
D749,198 S * 2/2016 Von Lepel D23/260
D749,199 S * 2/2016 Von Lepel D23/260
D756,828 S * 5/2016 Wettre D10/106.5
D757,585 S * 5/2016 Hojmose D10/106.1
D786,725 S * 5/2017 McCormick D10/106.5
2007/0193867 A1 * 8/2007 Lorenzo Riera H01H 13/023
2009/0086474 A1 * 4/2009 Chou F21S 8/026
2014/0141292 A1 * 5/2014 Lee H01M 2/1205
2015/0369182 A1 * 12/2015 Steinman B01D 46/2403
2016/0238495 A1 * 8/2016 Joseph G01N 1/2273

* cited by examiner

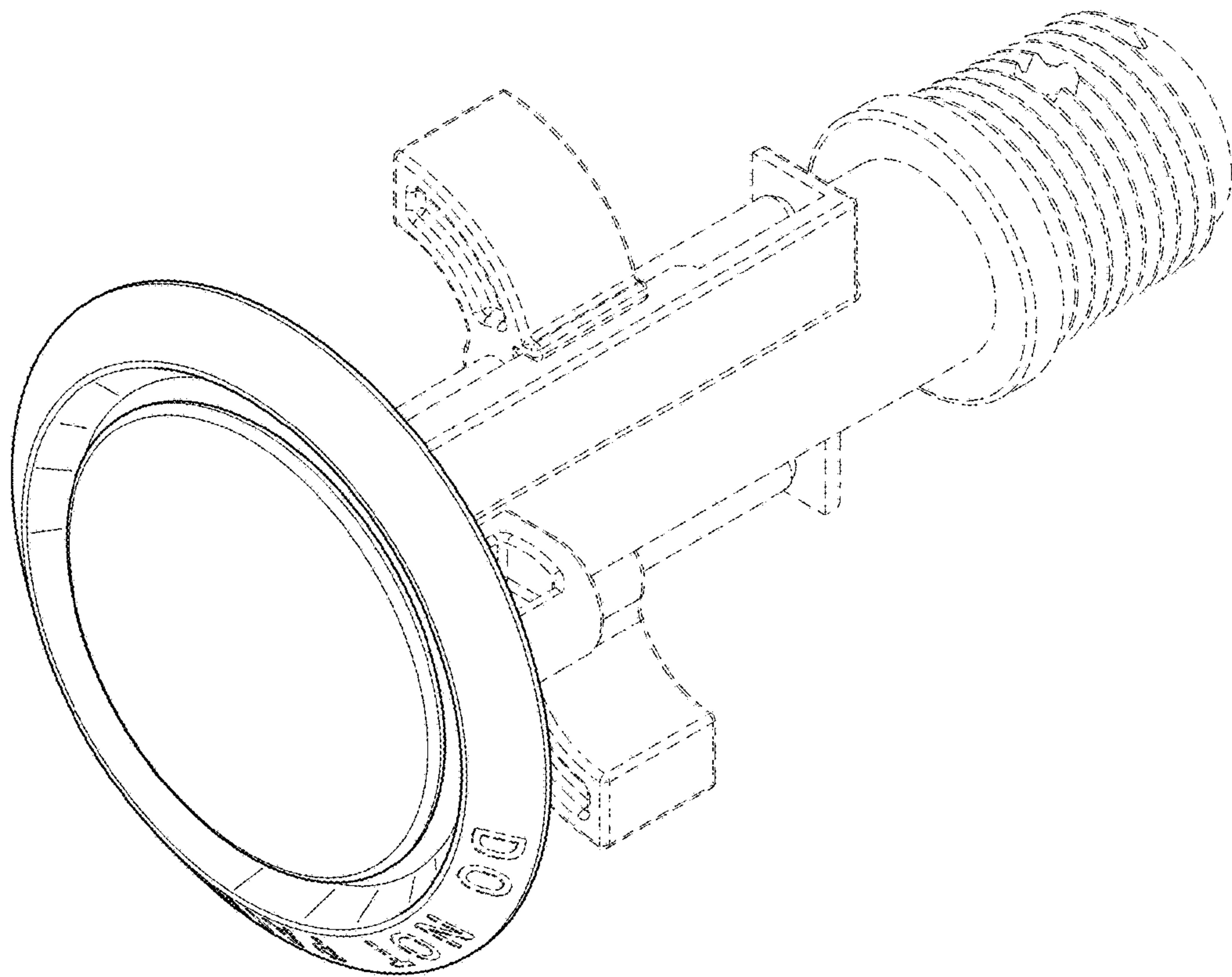


Fig. 1

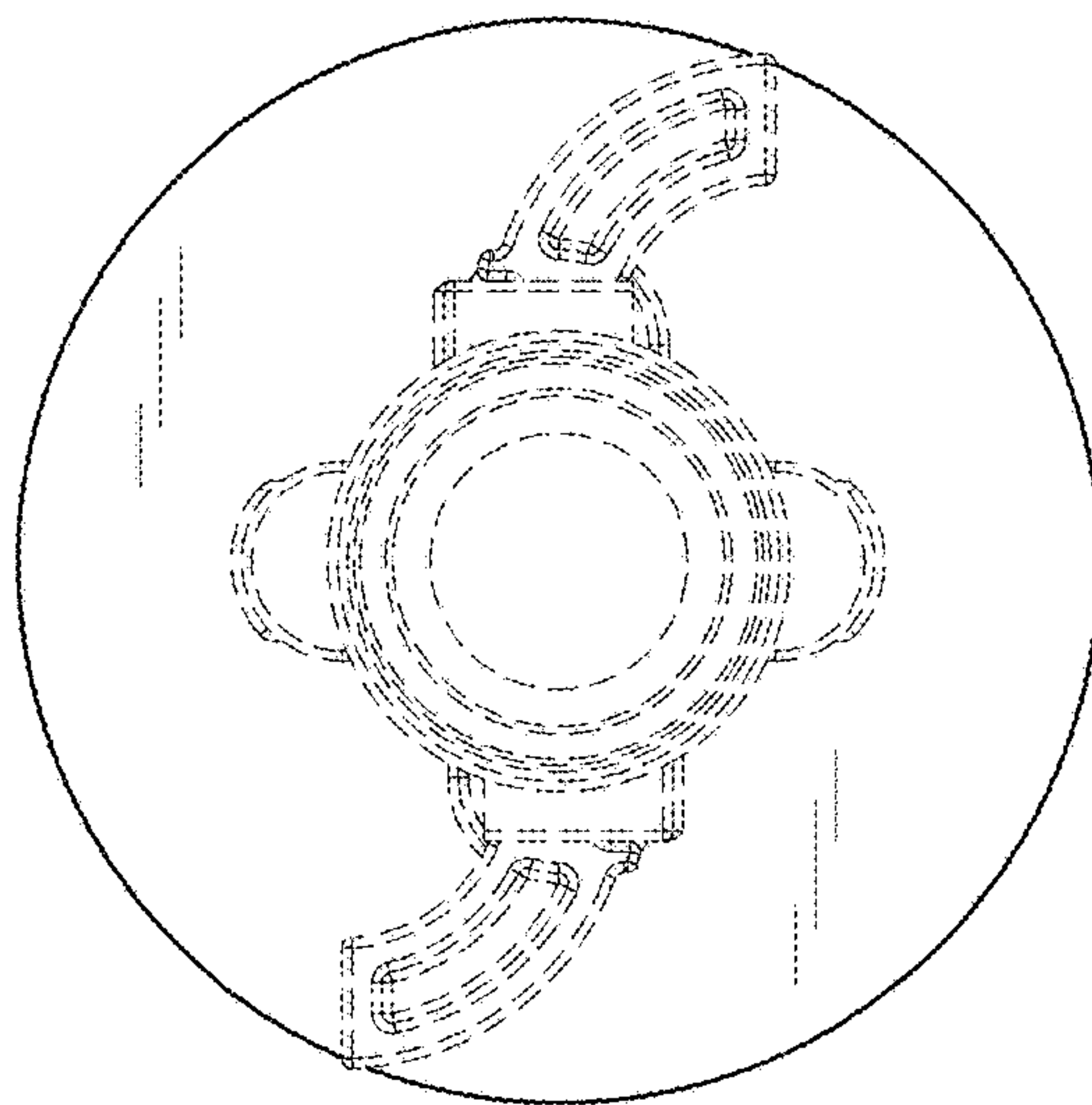


Fig. 2

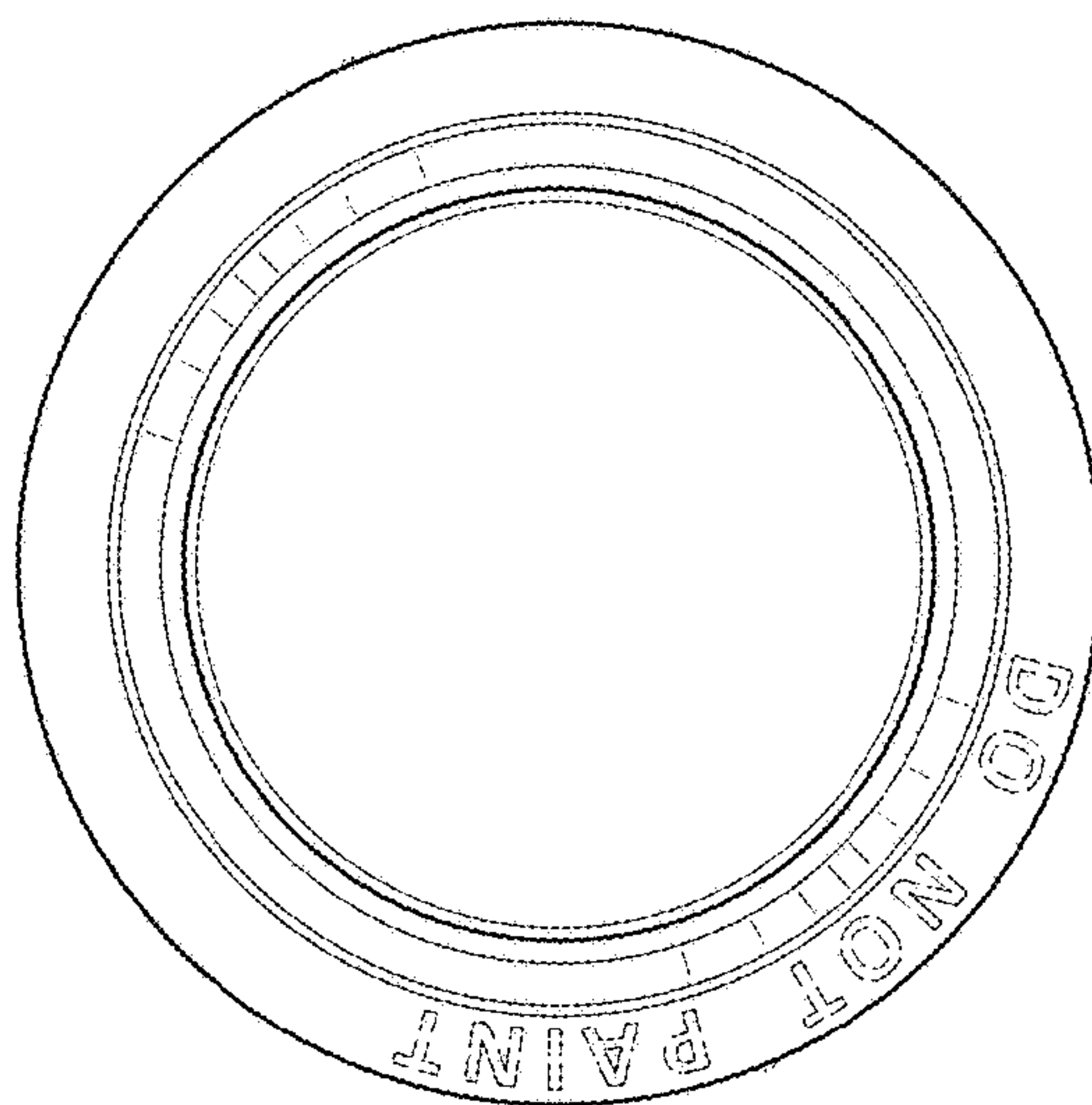


Fig. 3

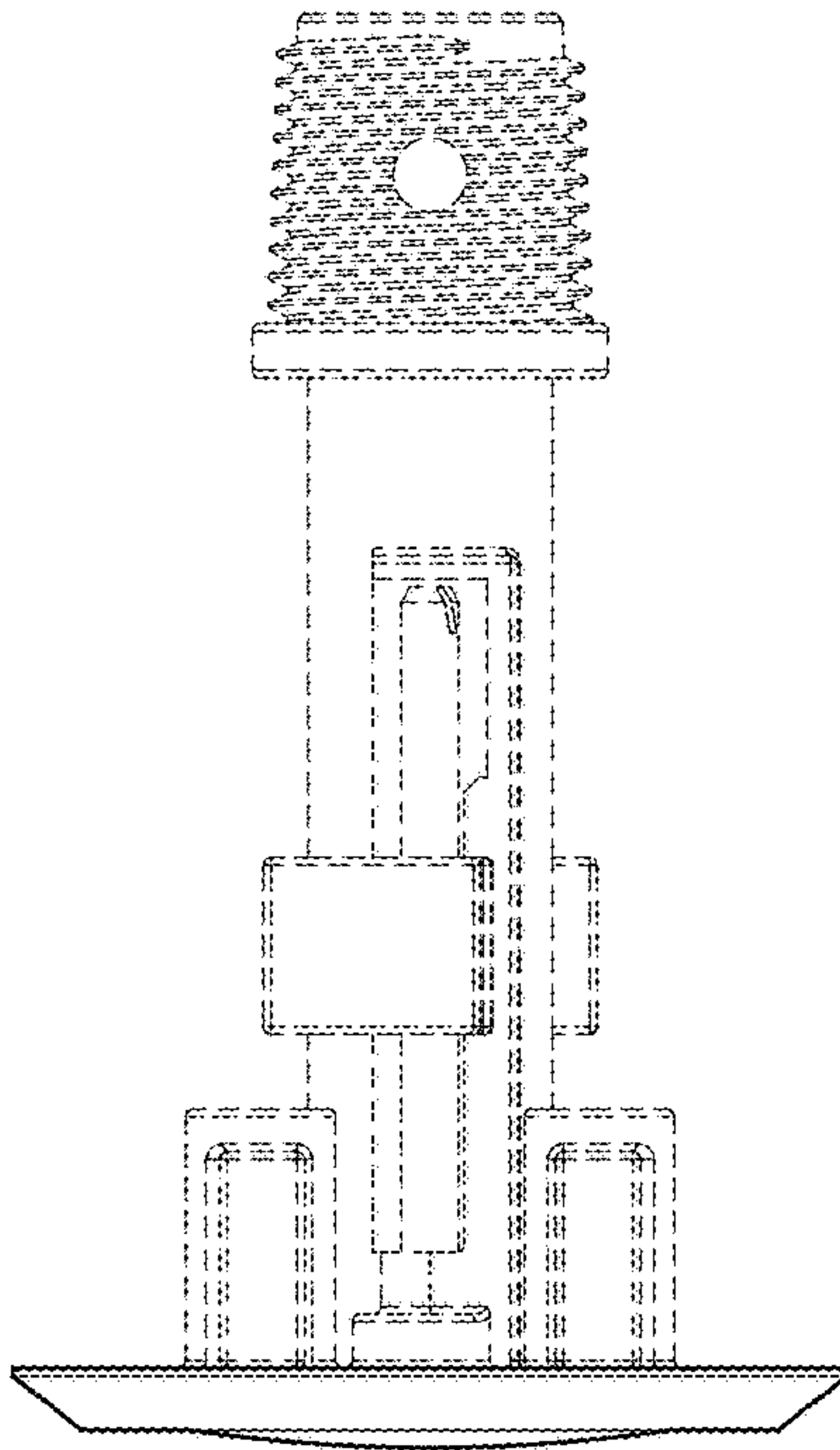


Fig. 4

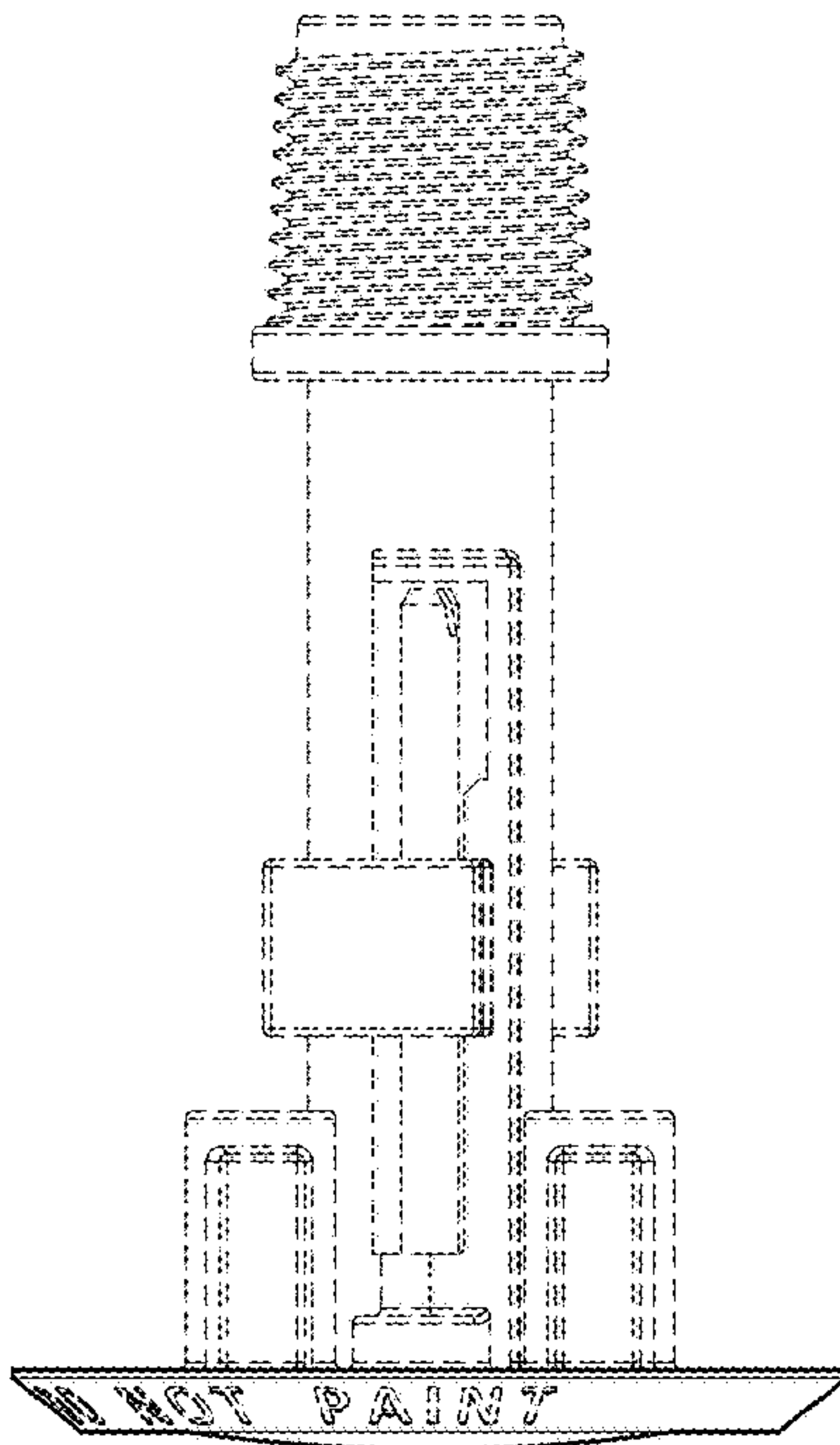


Fig. 5

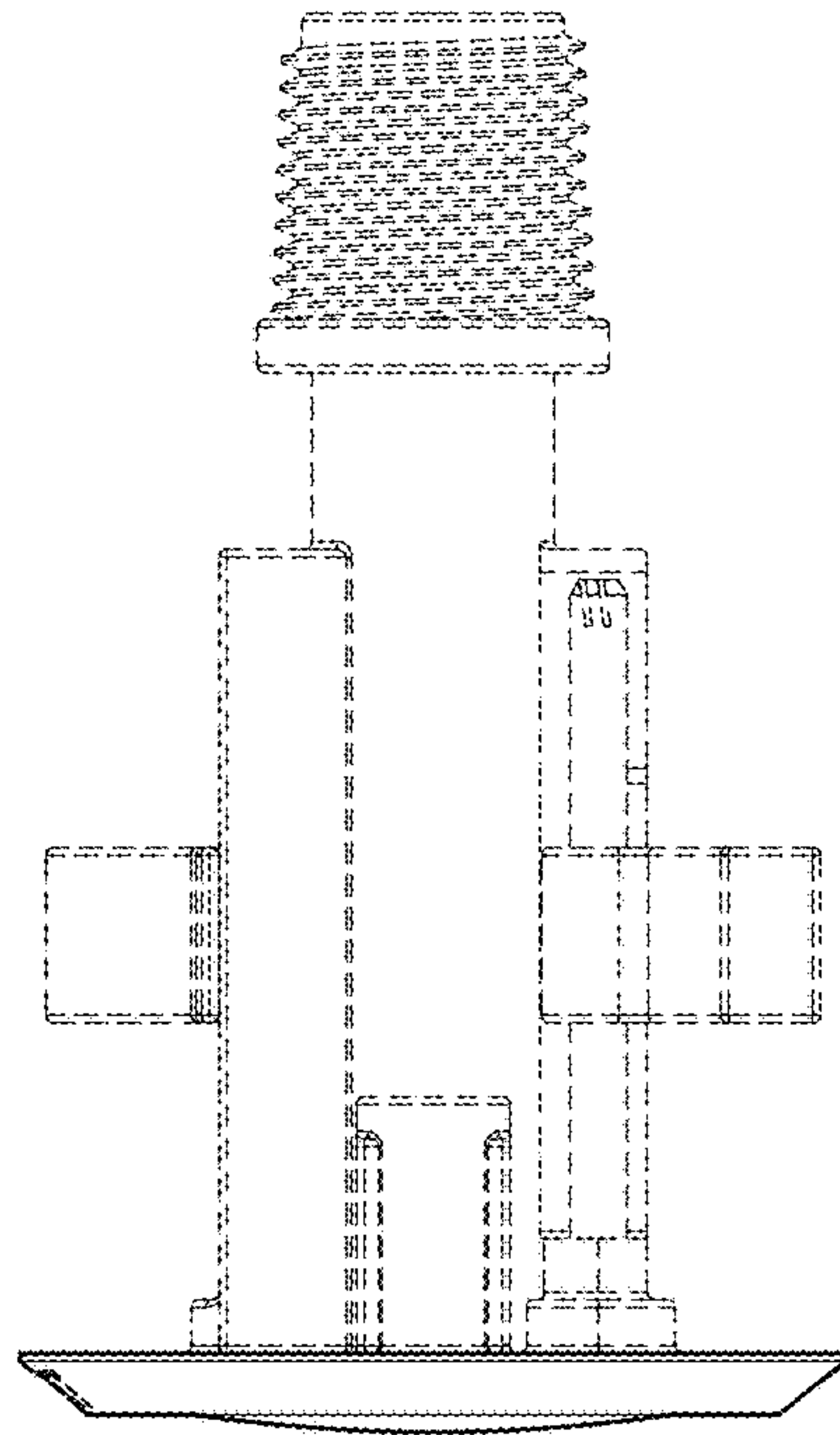


Fig. 6

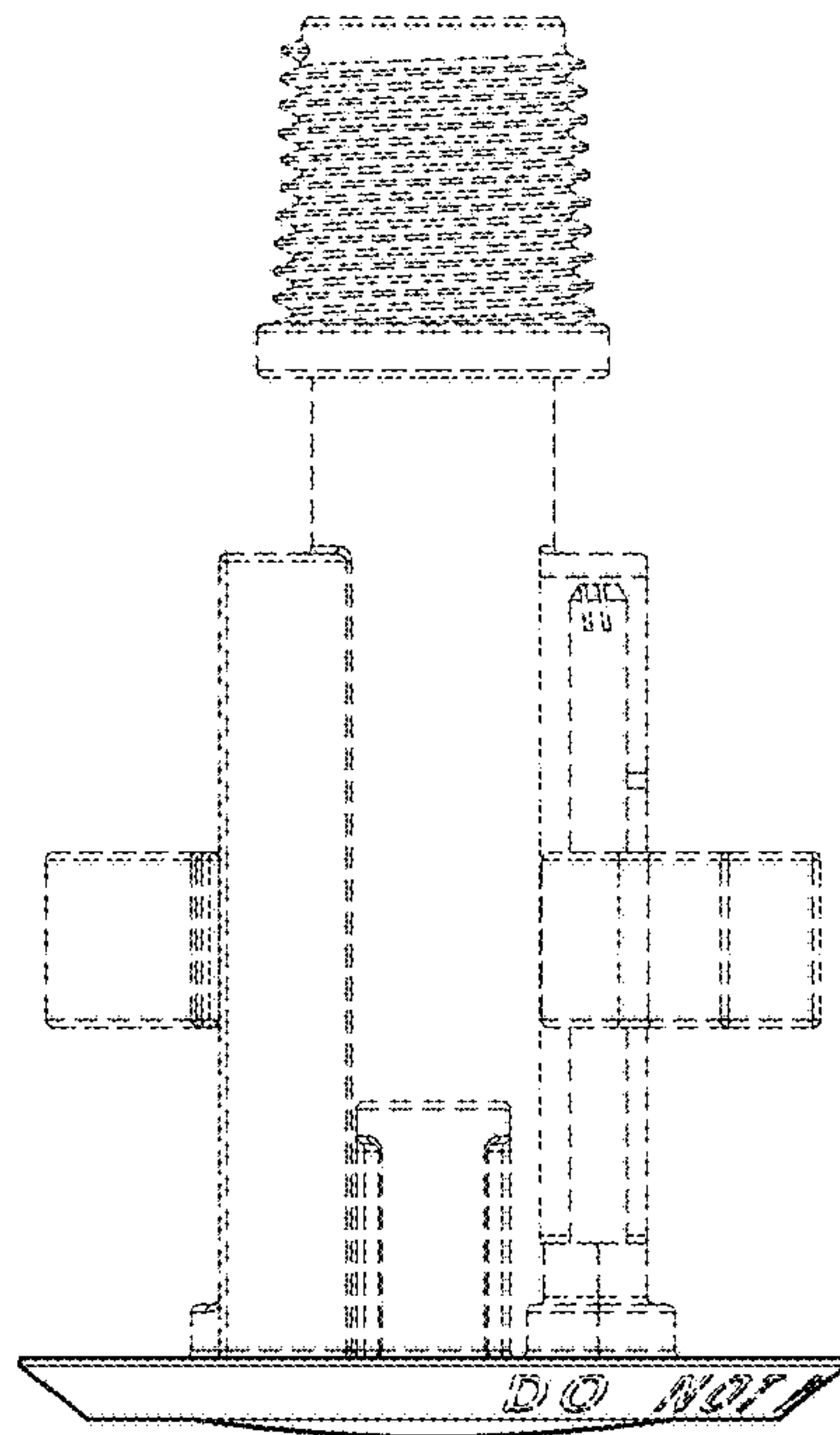


Fig. 7