



US00D820703S

(12) **United States Design Patent**  
**Amamiya et al.**

(10) **Patent No.:** **US D820,703 S**  
(45) **Date of Patent:** **\*\* Jun. 19, 2018**

(54) **FOLDING CARBONIC ACID  
CONCENTRATION MEASURING  
INSTRUMENT**

(71) Applicant: **ATAGO CO., LTD.**, Tokyo (JP)

(72) Inventors: **Hideyuki Amamiya**, Tokyo (JP);  
**Yoshiaki Torigoe**, Tokyo (JP);  
**Mitsunori Shinbo**, Tokyo (JP)

(73) Assignee: **ATAGO CO., LTD.**, Minato-ku, Tokyo  
(JP)

(\*\*) Term: **15 Years**

(21) Appl. No.: **29/591,430**

(22) Filed: **Jan. 19, 2017**

(30) **Foreign Application Priority Data**

Jul. 22, 2016 (JP) ..... 2016-015596

(51) **LOC (11) Cl.** ..... **10-04**

(52) **U.S. Cl.**  
USPC ..... **D10/81**

(58) **Field of Classification Search**  
USPC ..... D10/81, 103; D24/232, 233, 234  
CPC ..... G01N 33/004; G01N 33/0006; G01N  
33/0008; G01N 33/0009; G01N 33/0011;  
G01N 33/0027; G01N 33/0036; G01N  
33/18

See application file for complete search history.

(56) **References Cited**

U.S. PATENT DOCUMENTS

D291,355 S \* 8/1987 Stanuch ..... D10/81  
D472,484 S \* 4/2003 Connolly ..... D10/81

\* cited by examiner

*Primary Examiner* — Antoine Duval Davis

(74) *Attorney, Agent, or Firm* — Silicon Patent;  
Christopher Zhang

(57) **CLAIM**

The ornamental design for a folding carbonic acid concentration measuring instrument, as shown and described.

**DESCRIPTION**

FIG. 1 is a perspective view of a first embodiment of our new design;

FIG. 2 is a perspective top, front, and left-side view thereof;

FIG. 3 is a front view thereof;

FIG. 4 is a rear view thereof;

FIG. 5 is a left side view thereof;

FIG. 6 is a right side view thereof;

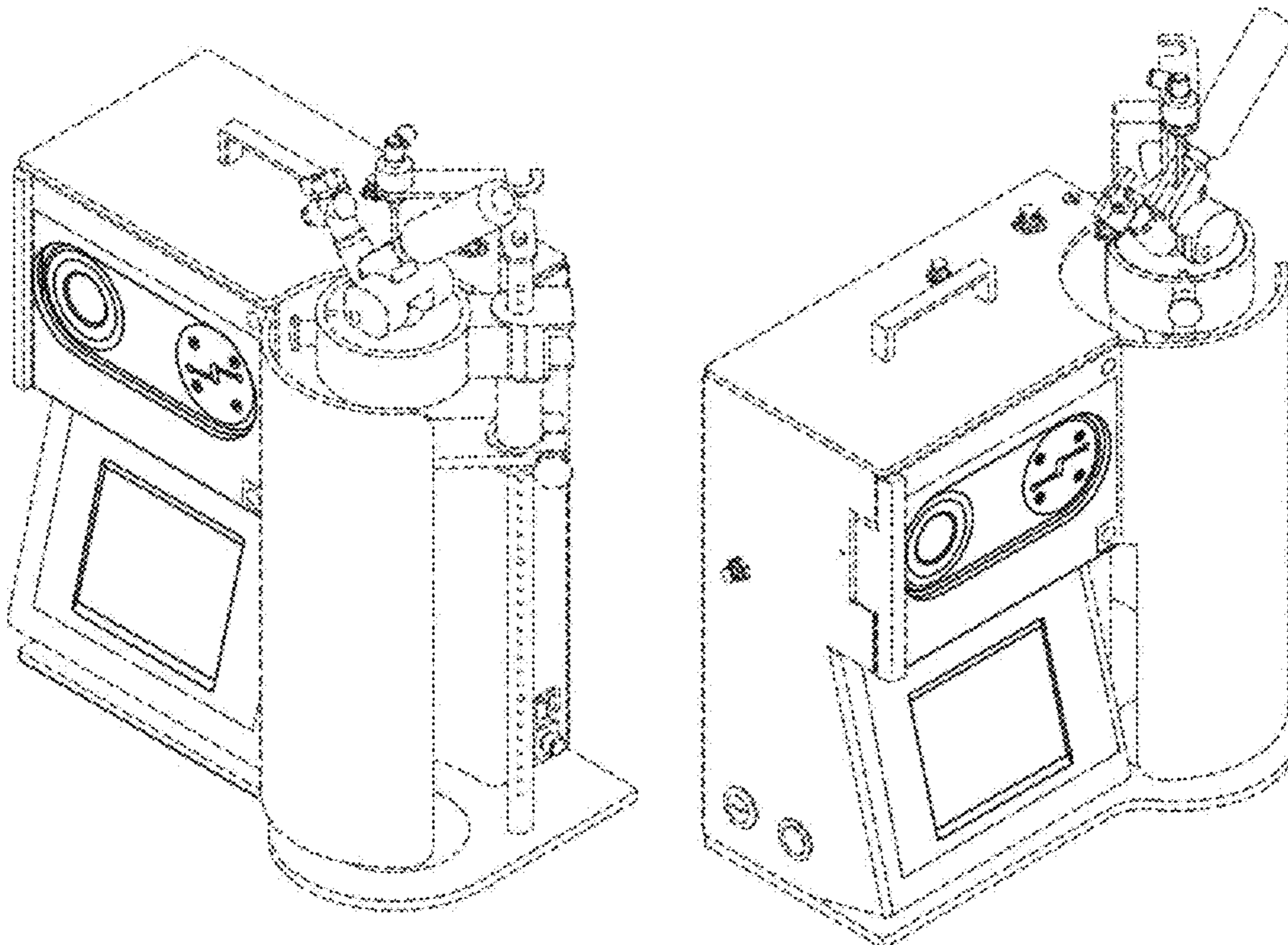
FIG. 7 is a top view thereof;

FIG. 8 is a bottom view thereof;

FIG. 9 is a Reference view showing a transparent part view thereof; and,

FIG. 10 is Reference perspective view of lid opening state thereof.

**1 Claim, 5 Drawing Sheets**



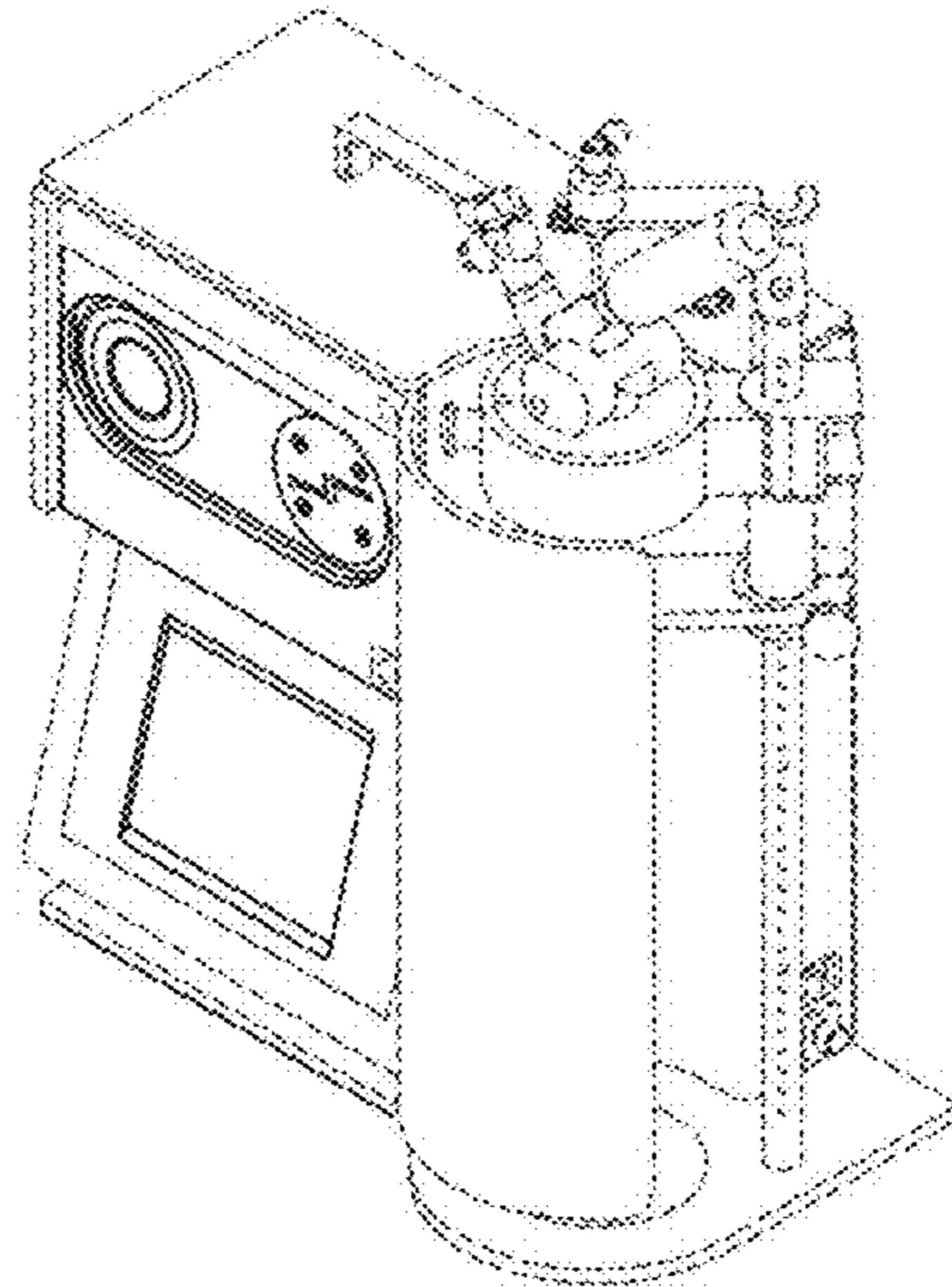


Figure 1

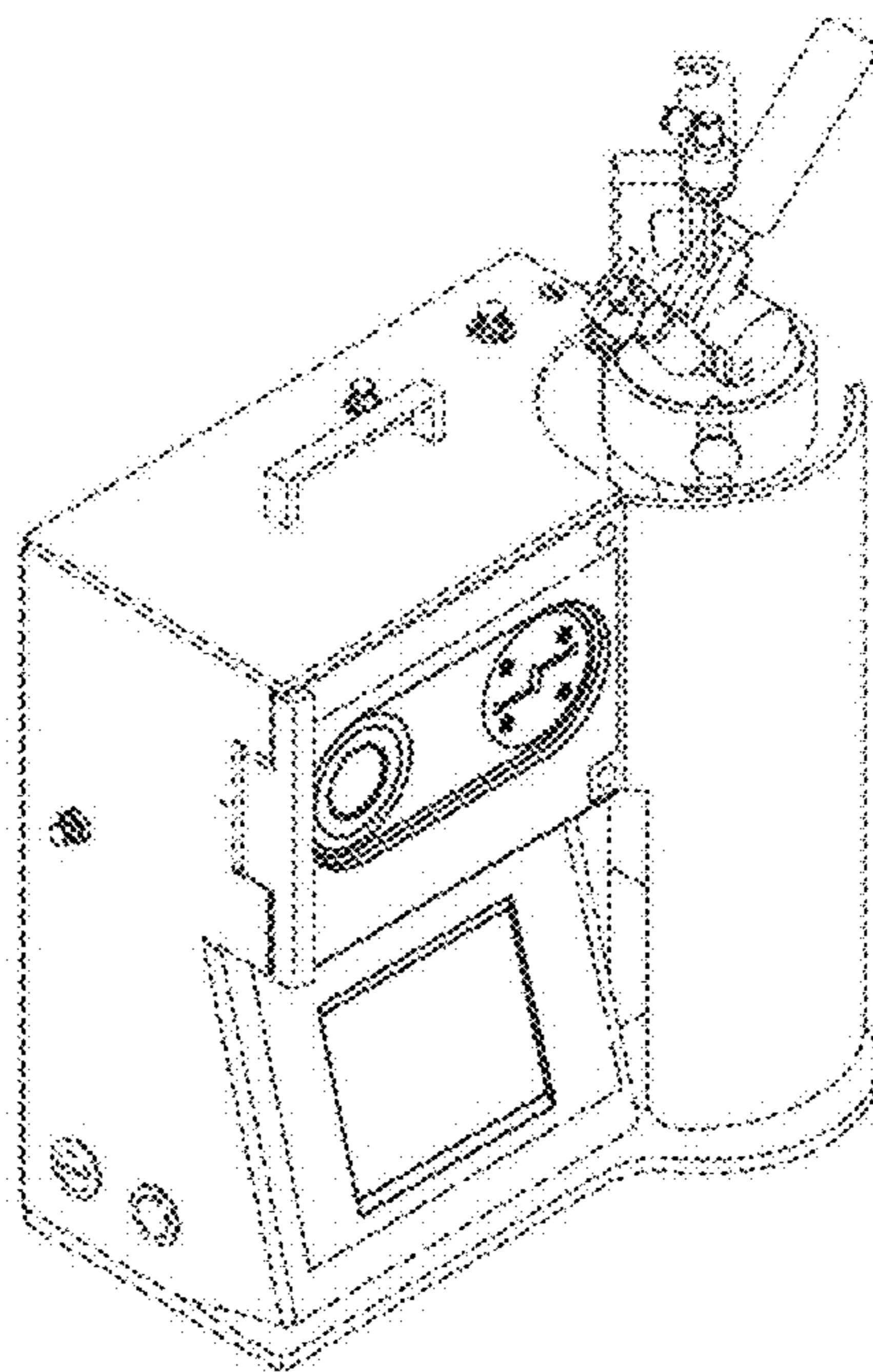


Figure 2

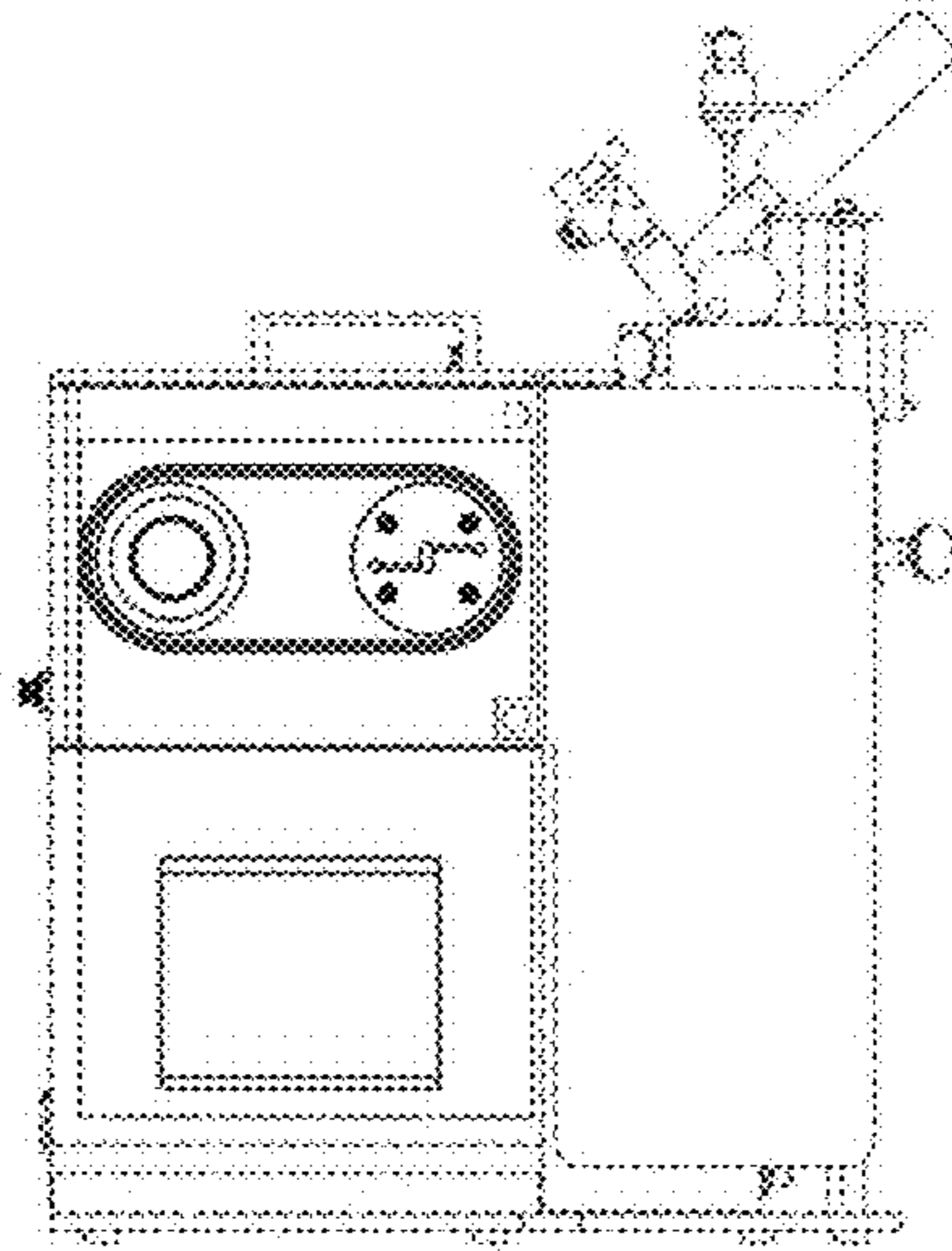


Figure 3

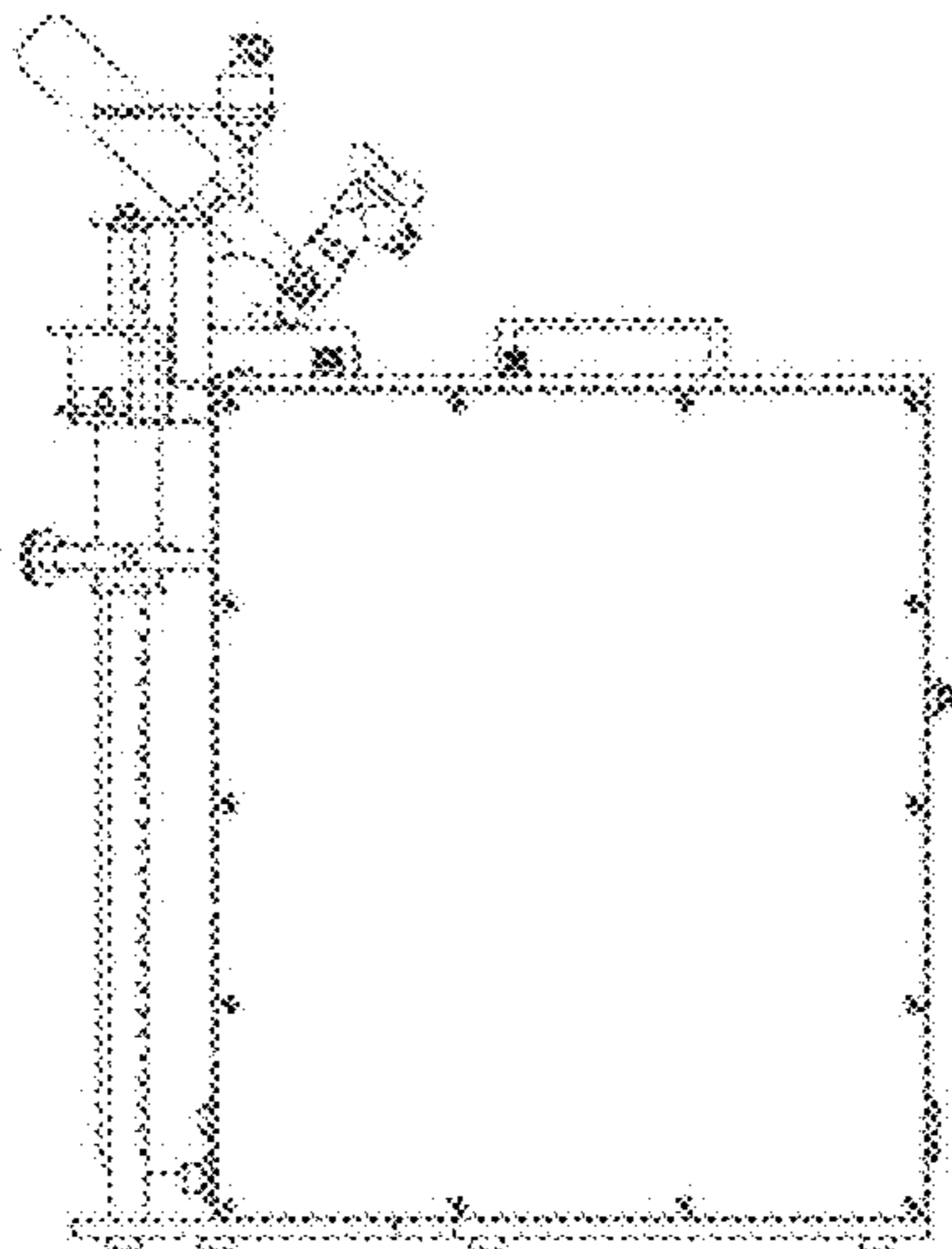


Figure 4

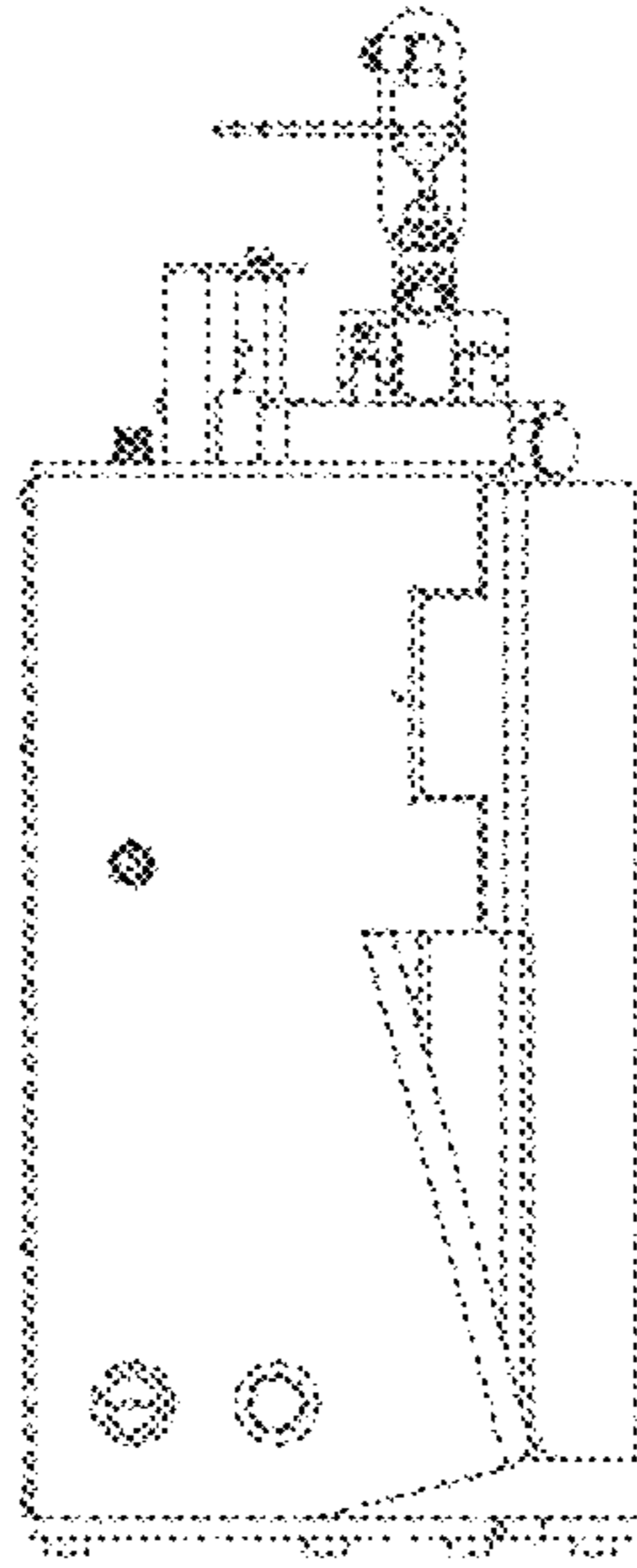


Figure 5

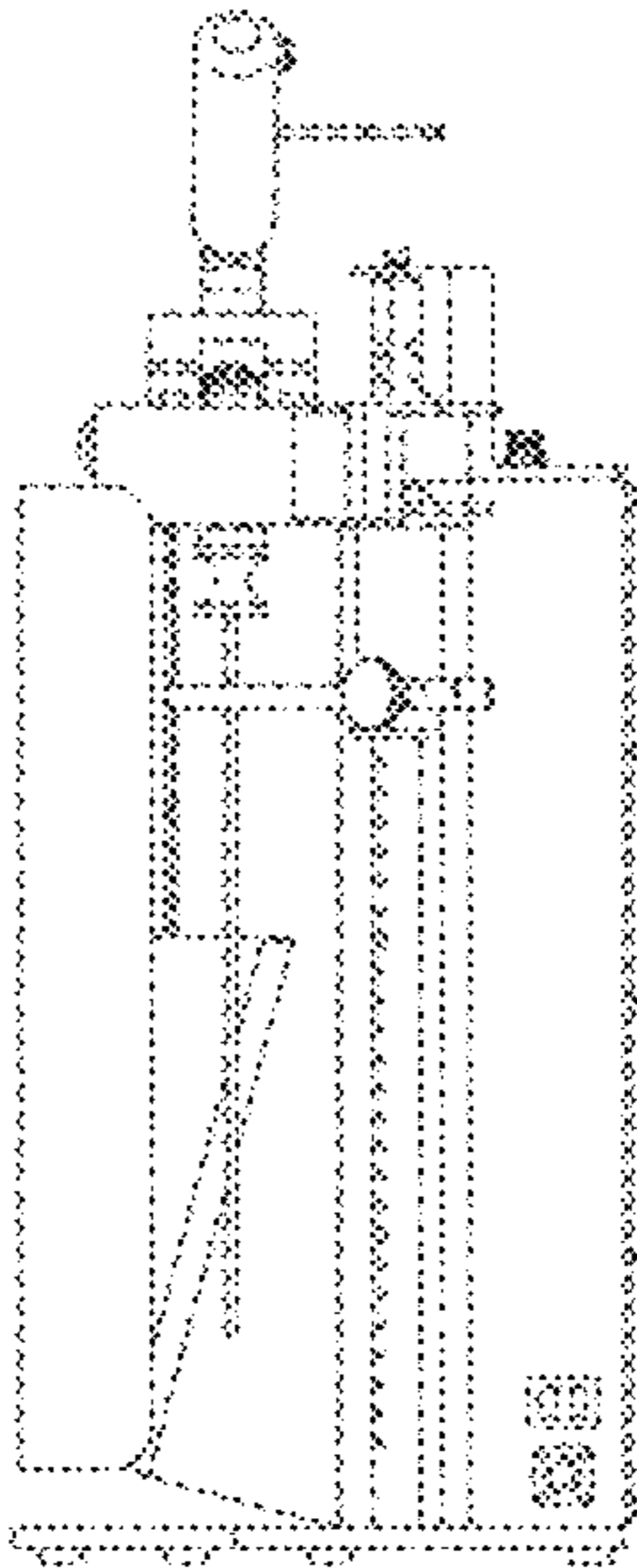


Figure 6

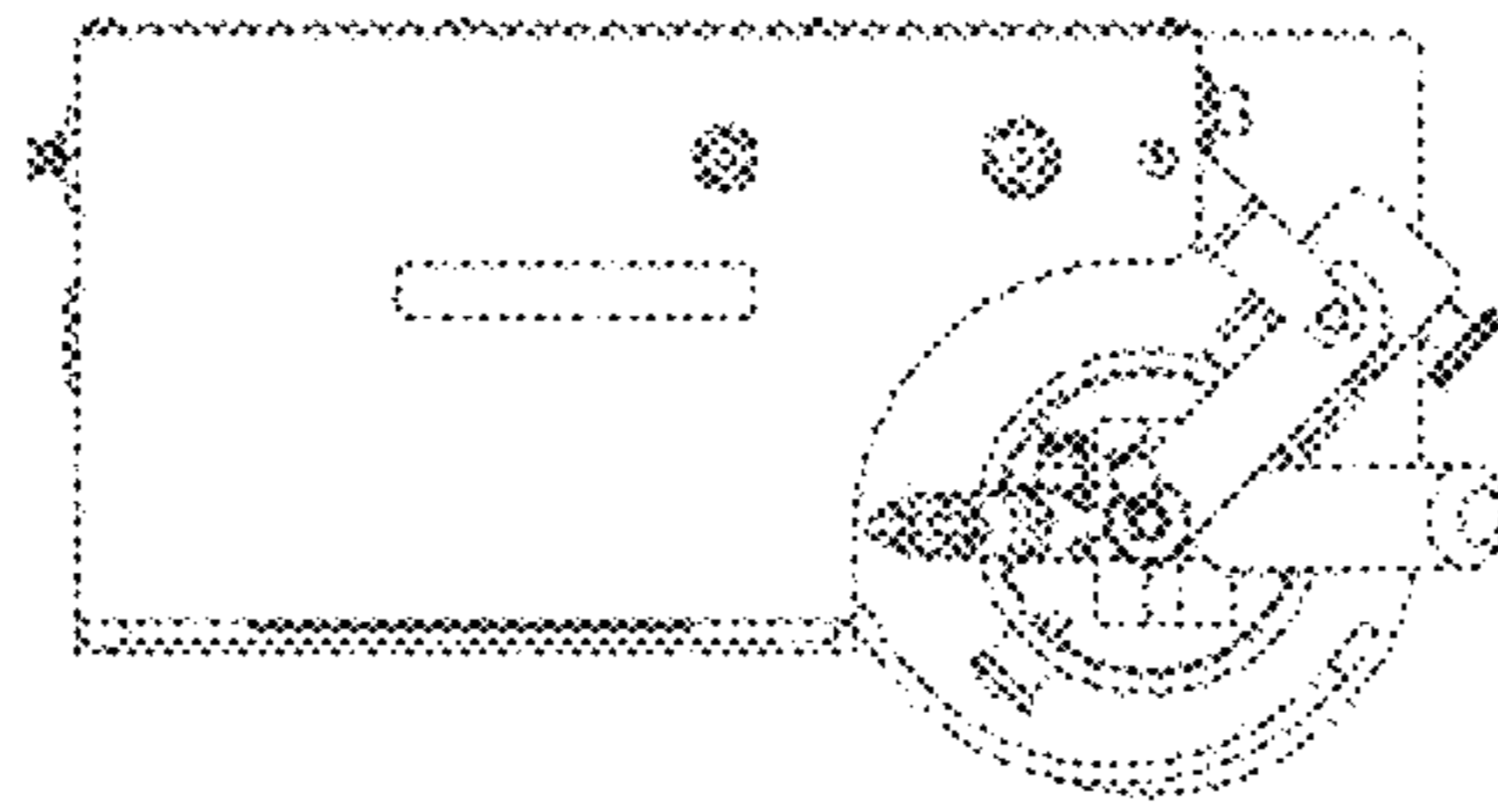


Figure 7

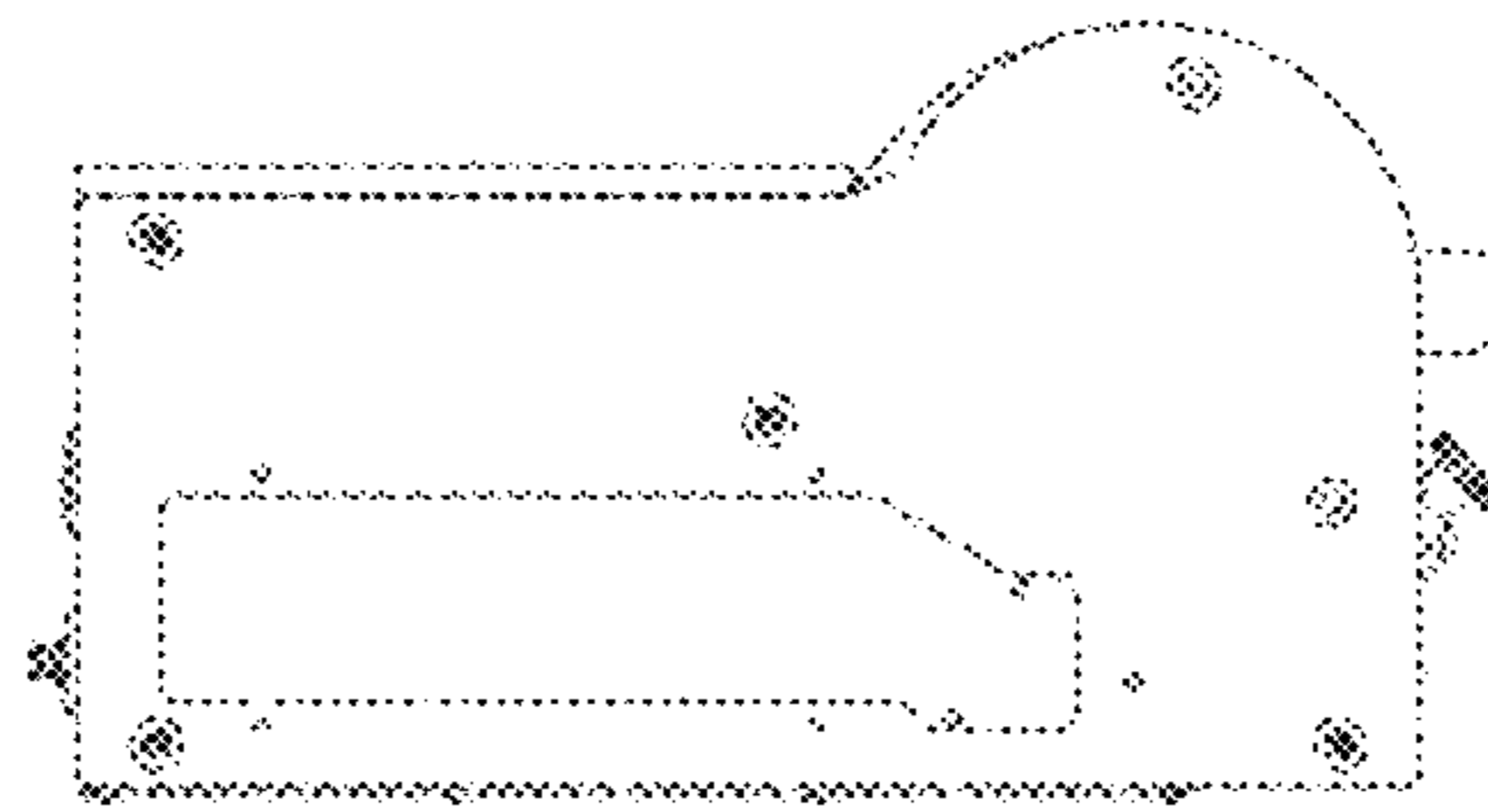


Figure 8

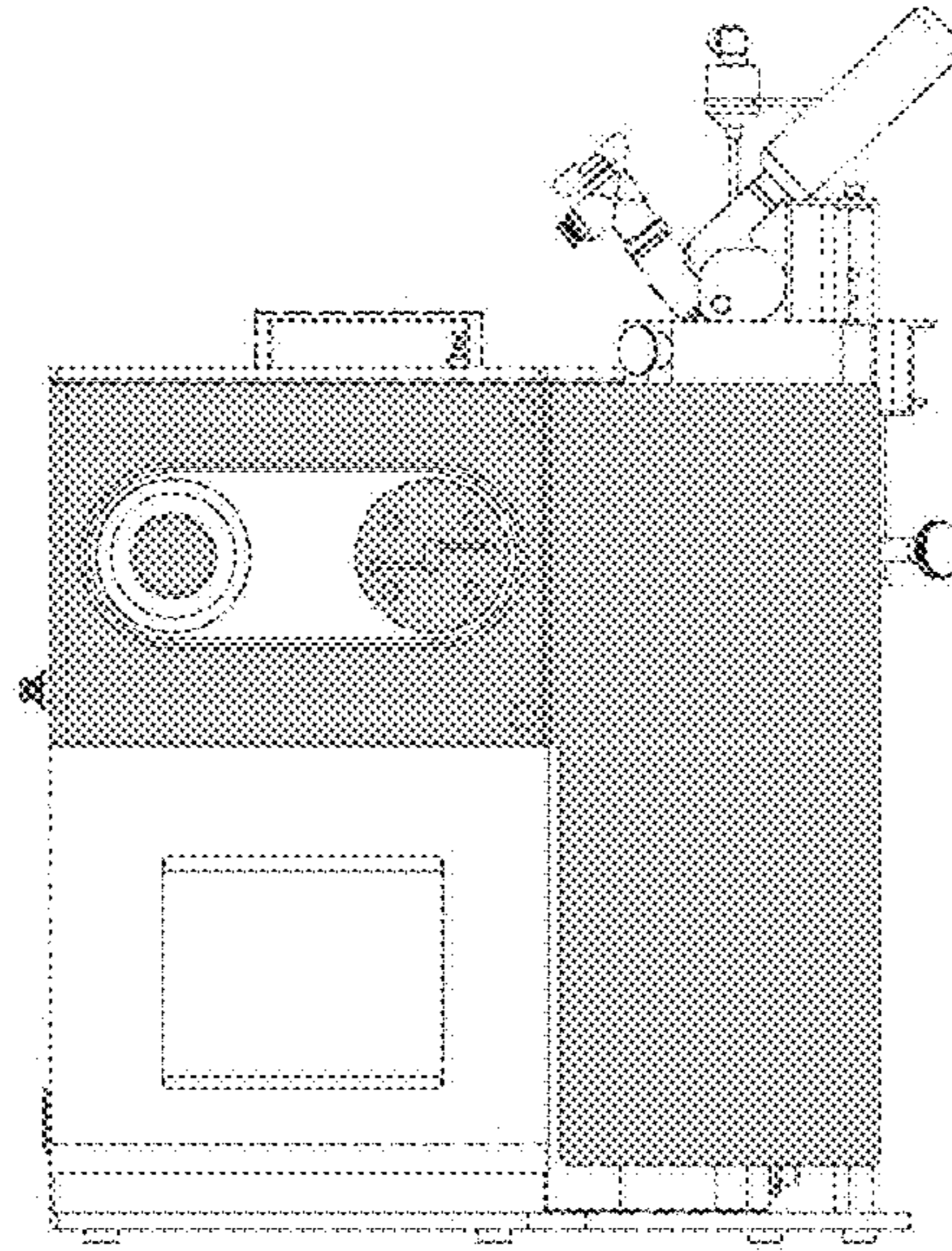


Figure 9

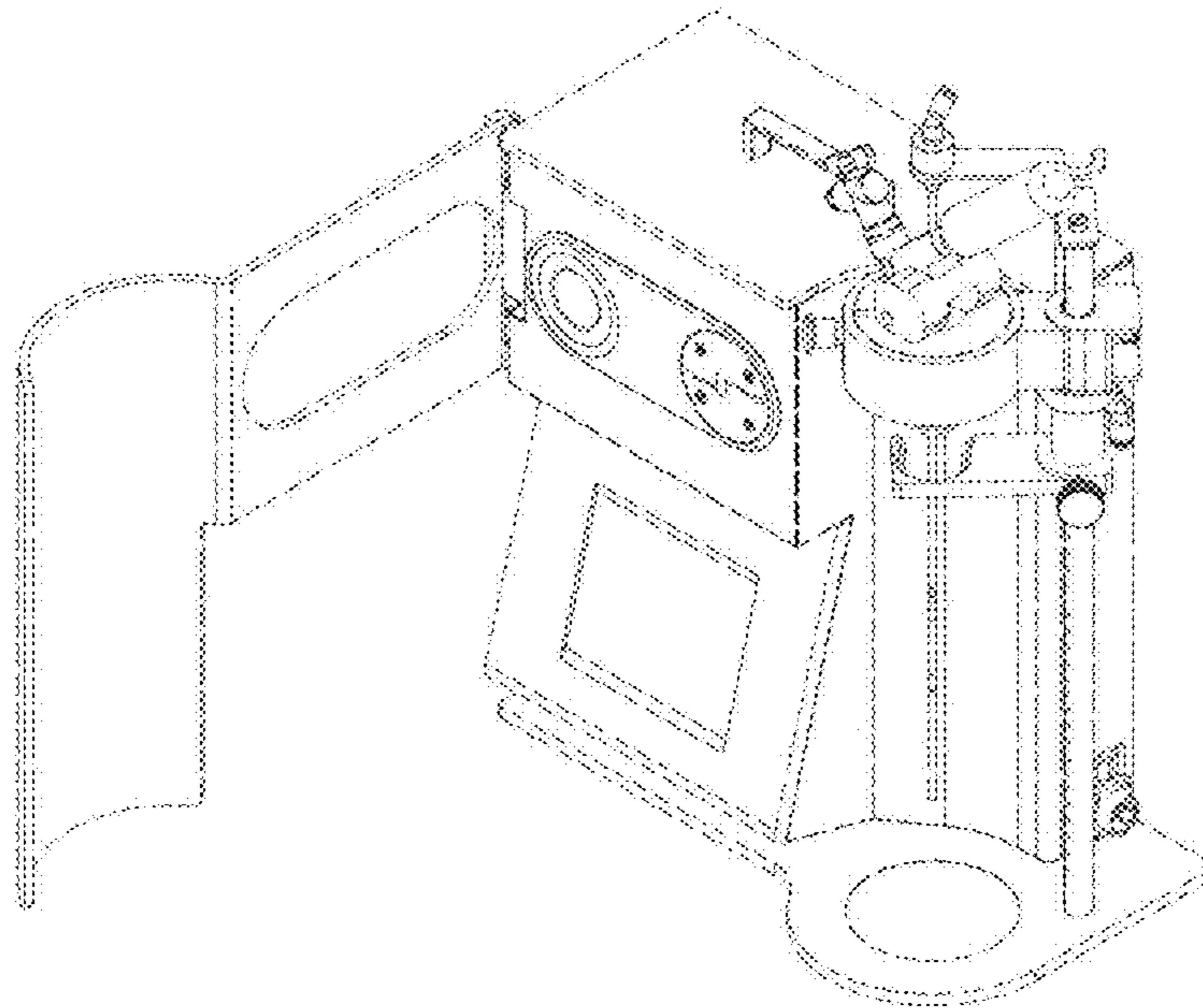


Figure 10