



US00D820701S

(12) **United States Design Patent**  
**Buijsman**

(10) **Patent No.:** **US D820,701 S**

(45) **Date of Patent:** **\*\* Jun. 19, 2018**

(54) **HOUSING FOR ELECTRONICS**

(71) Applicant: **Squarell B.V.**, Hillegom (NL)

(72) Inventor: **Petrus Johannes Buijsman**, Hillegom (NL)

(73) Assignee: **Squarell B.V.**, Hillegom (NL)

(\*\*) Term: **15 Years**

(21) Appl. No.: **29/580,834**

(22) Filed: **Oct. 13, 2016**

(30) **Foreign Application Priority Data**

Apr. 14, 2016 (EM) ..... 003068287-0002

(51) **LOC (11) Cl.** ..... **10-04**

(52) **U.S. Cl.**  
USPC ..... **D10/80; D10/103**

(58) **Field of Classification Search**  
USPC ..... D10/46, 80, 102, 103; D13/173, 184;  
D14/217, 299

CPC ..... H05K 5/00; H05K 5/0004; H05K 5/0008;  
H05K 5/0013; H05K 5/0017; H05K  
5/0021; H05K 5/0026; H05K 5/003;  
H05K 5/0034; H05K 5/0039; H05K  
5/0043; H05K 5/0047; H05K 5/0052;  
H05K 5/0056; H05K 5/006; H05K  
5/0065; H05K 5/0069; H05K 5/0073;  
H05K 5/0078; H05K 5/0082; H05K  
5/0086; H05K 5/0091; H05K 5/0095;

H05K 5/03; H05K 5/04; H05K 5/06;  
H05K 5/061; H05K 5/062; H05K 5/063;  
H05K 5/064; H05K 5/065; H05K 5/066;  
H05K 5/067; H05K 5/068; H05K 5/069;  
H05K 7/00; H05K 7/005; H05K 7/02

See application file for complete search history.

(56) **References Cited**

U.S. PATENT DOCUMENTS

D801,298 S \* 10/2017 Katsuno ..... D14/157  
D805,414 S \* 12/2017 Pennebaker, III ..... D10/83

\* cited by examiner

*Primary Examiner* — Antoine Duval Davis

(74) *Attorney, Agent, or Firm* — Schroeder Law PC

(57) **CLAIM**

The ornamental design for a housing for electronics, as shown and described.

**DESCRIPTION**

FIG. 1 is a perspective view of a housing for electronics showing my new design;  
FIG. 2 is a front view thereof;  
FIG. 3 is a right side view thereof;  
FIG. 4 is a rear view thereof;  
FIG. 5 is a left side view thereof;  
FIG. 6 is a top view thereof; and,  
FIG. 7 is a bottom view thereof.

**1 Claim, 7 Drawing Sheets**

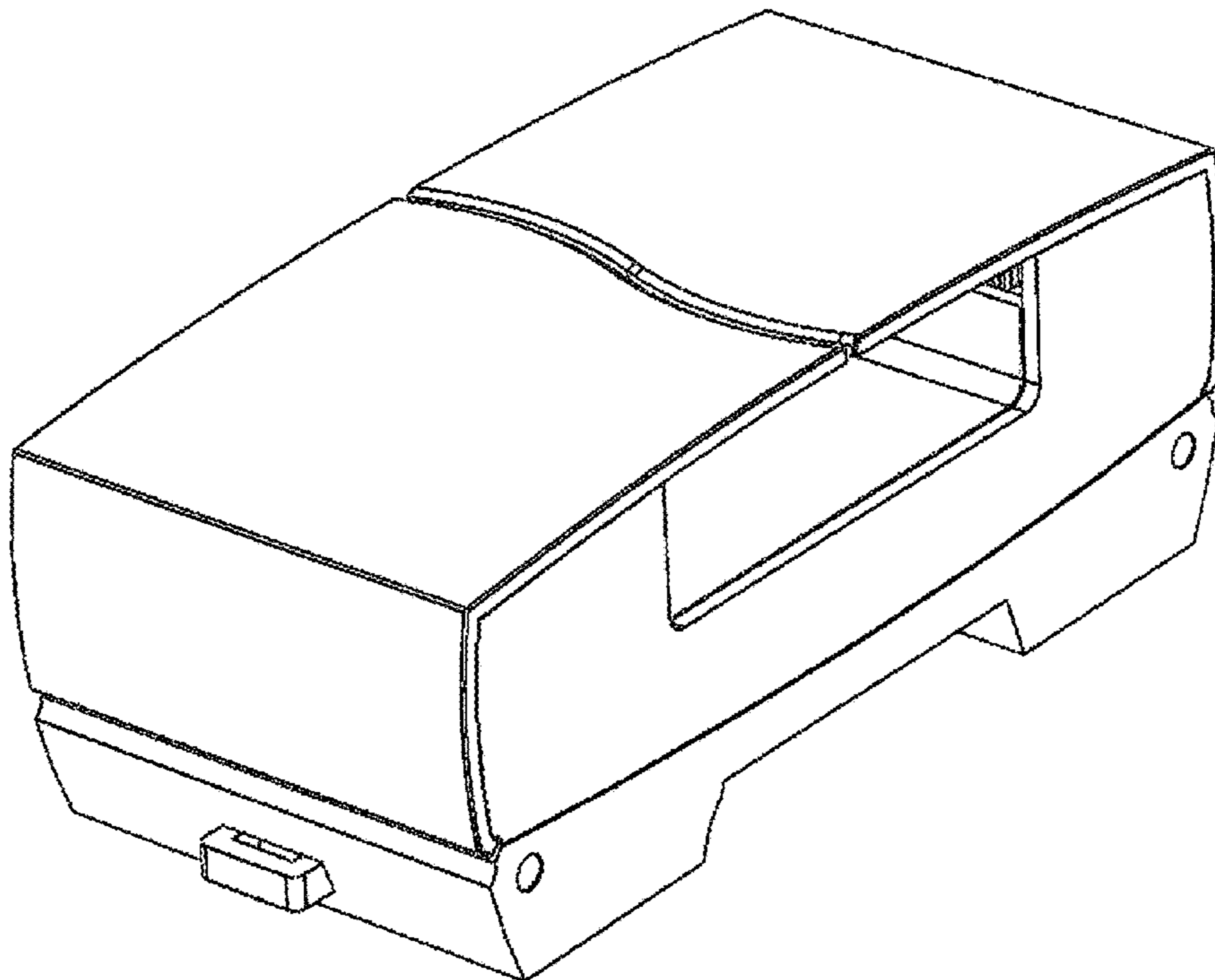


Fig. 1

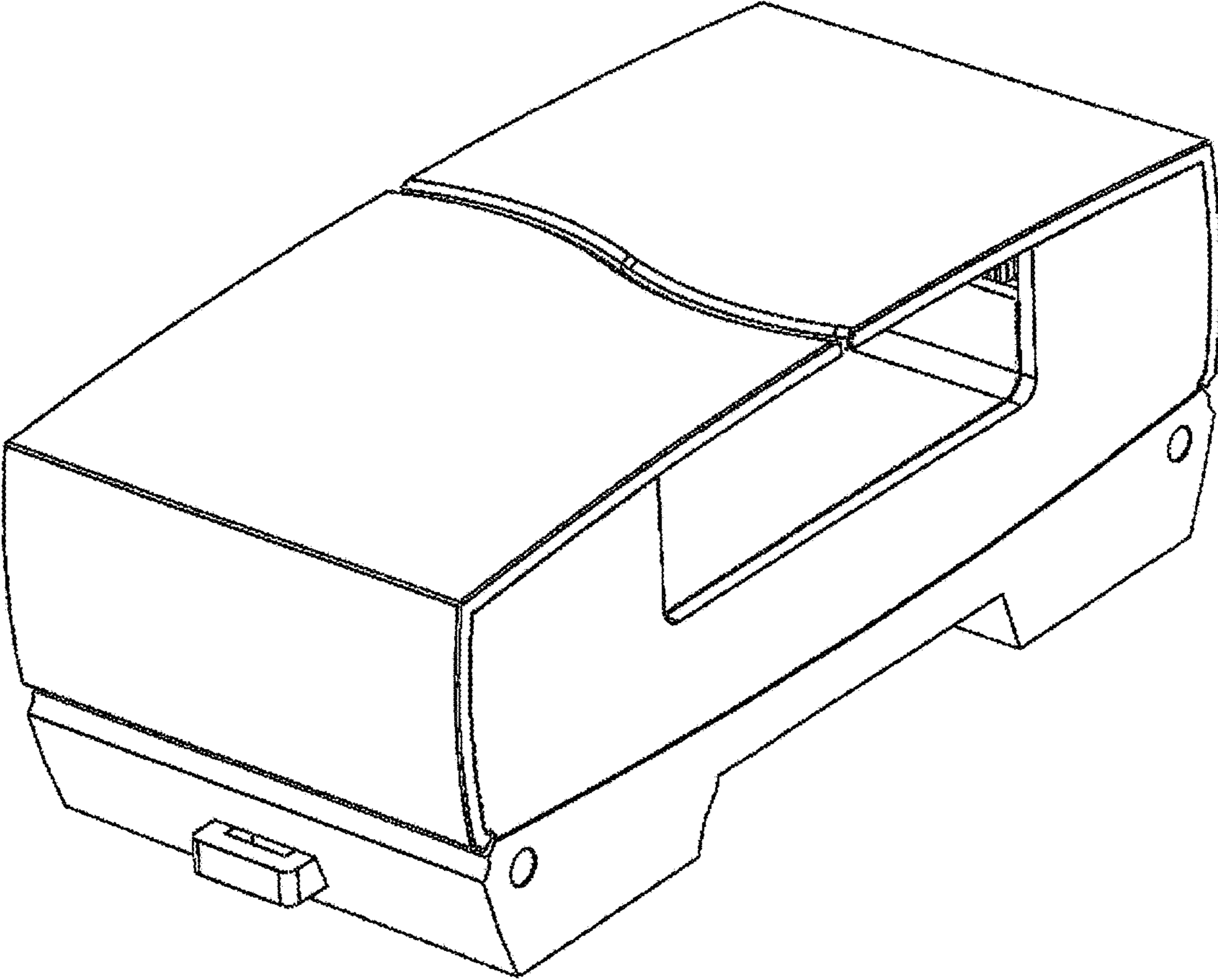


Fig. 2

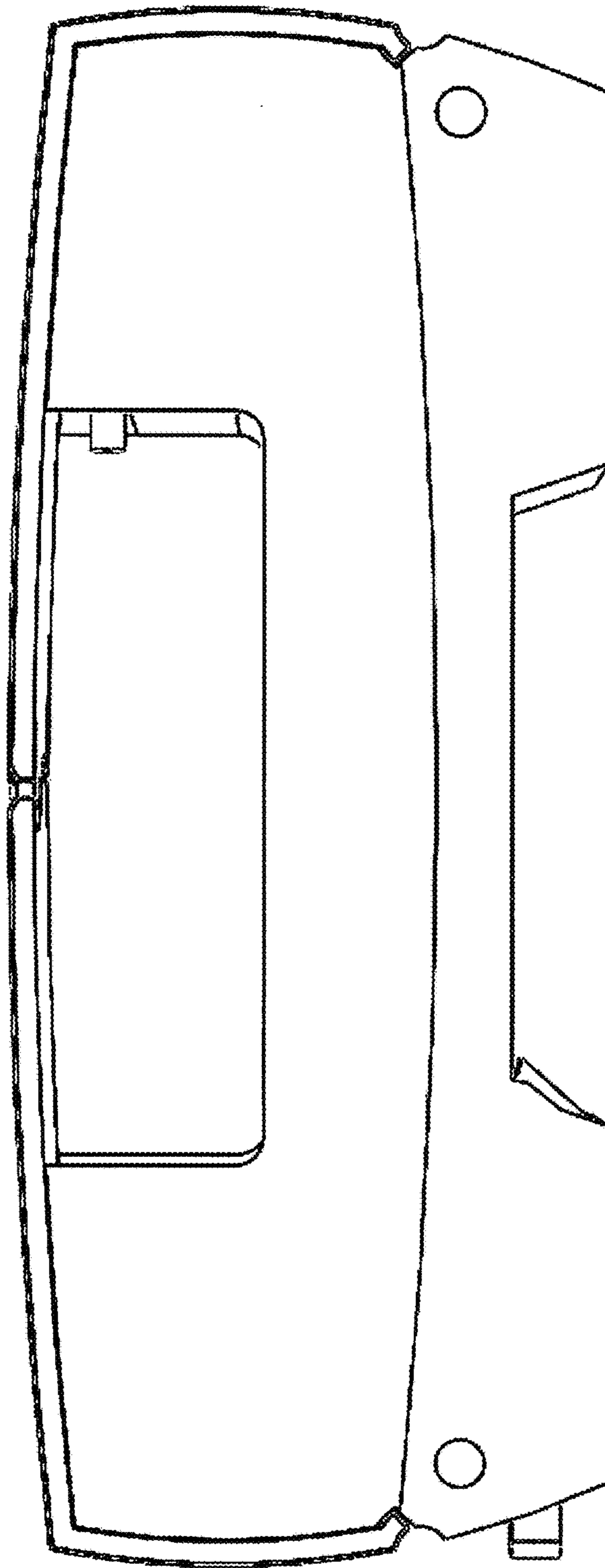


Fig. 3

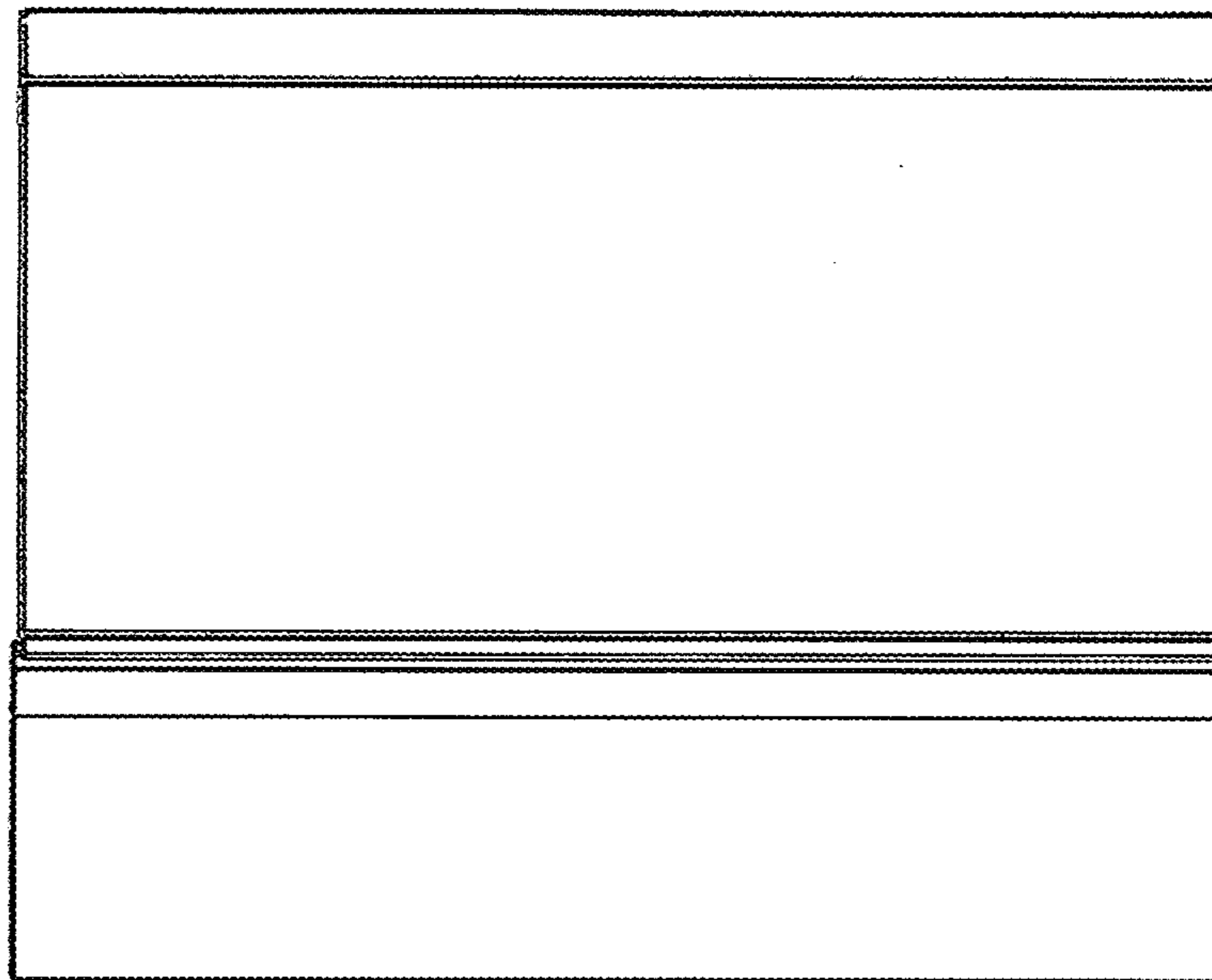
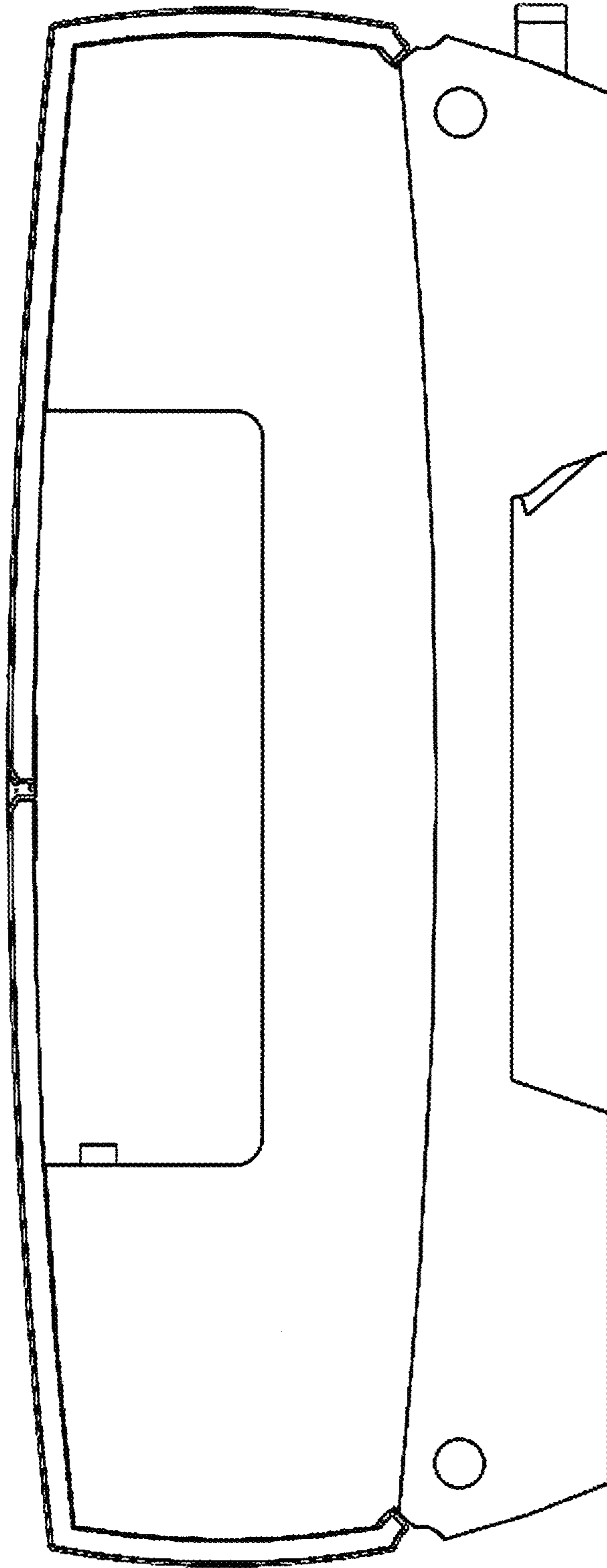


Fig. 4



*Fig. 5*

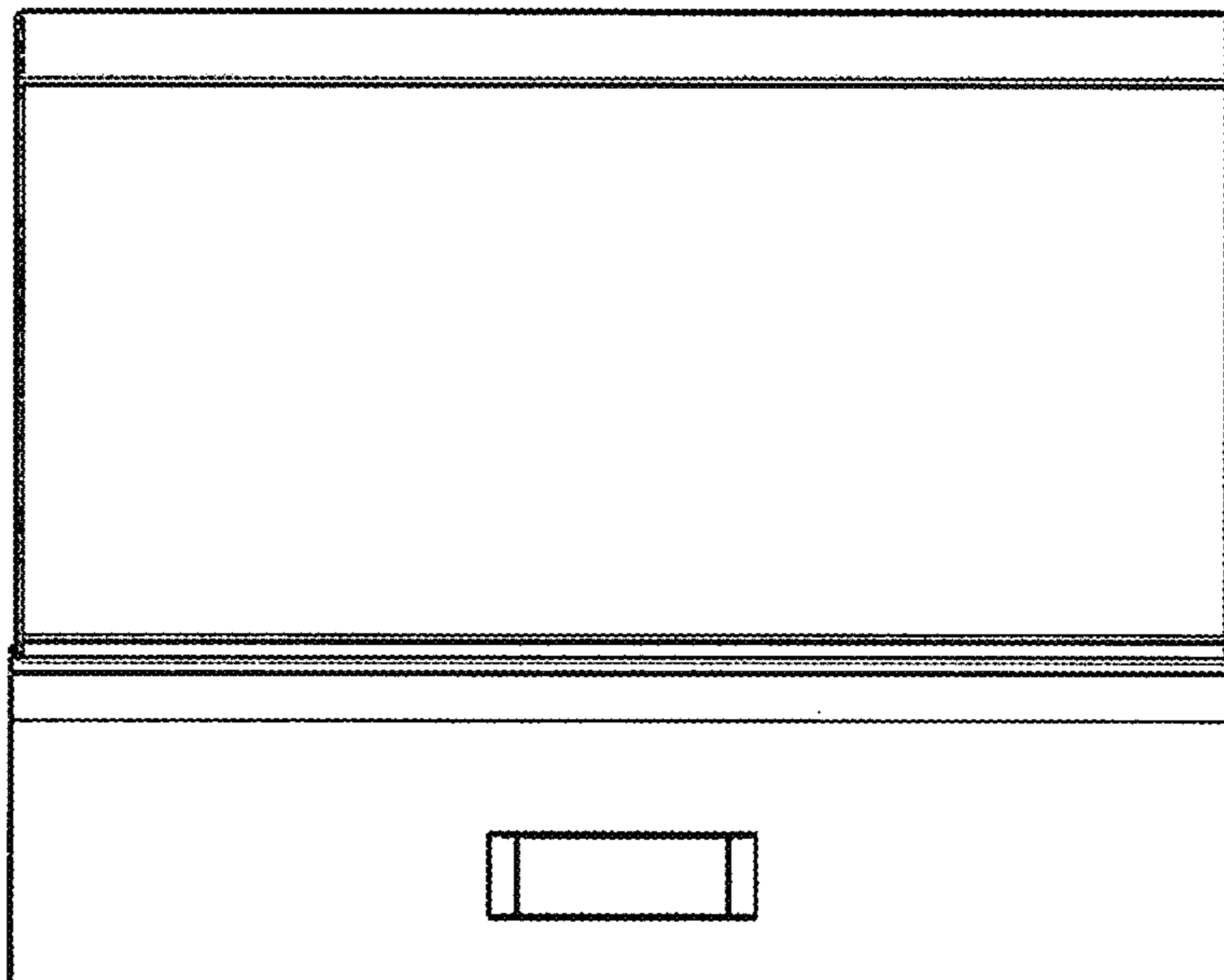


Fig. 6

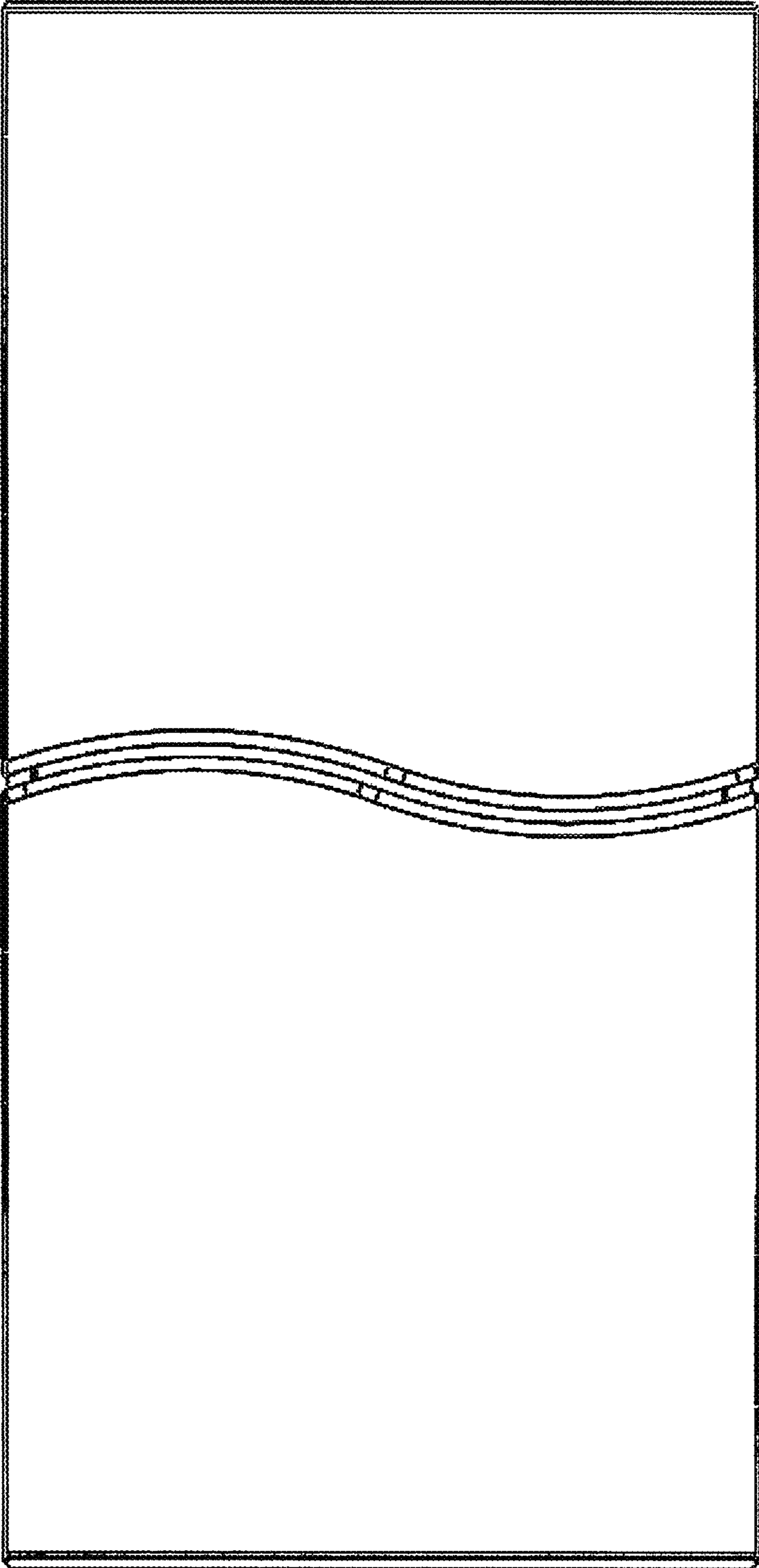


Fig. 7

