



US00D820700S

(12) **United States Design Patent**  
**Buijsman**

(10) **Patent No.:** **US D820,700 S**  
(45) **Date of Patent:** **\*\* Jun. 19, 2018**

(54) **HOUSING FOR ELECTRONICS**

(71) Applicant: **Squarell B.V.**, Hillegom (NL)

(72) Inventor: **Petrus Johannes Buijsman**, Hillegom (NL)

(73) Assignee: **Squarell B.V.**, Hillegom (NL)

(\*\*) Term: **15 Years**

(21) Appl. No.: **29/580,830**

(22) Filed: **Oct. 13, 2016**

(30) **Foreign Application Priority Data**

Apr. 14, 2016 (EM) ..... 003068287-0001

(51) **LOC (11) Cl.** ..... **10-04**

(52) **U.S. Cl.**  
USPC ..... **D10/80; D10/46; D10/74**

(58) **Field of Classification Search**  
USPC ..... D10/46, 74, 102, 103; D13/173, 184;  
D14/217, 299

CPC ..... H05K 5/00; H05K 5/0004; H05K 5/0008;  
H05K 5/0013; H05K 5/0017; H05K  
5/0021; H05K 5/0026; H05K 5/003;  
H05K 5/0034; H05K 5/0039; H05K  
5/0043; H05K 5/0047; H05K 5/0052;  
H05K 5/0056; H05K 5/006; H05K  
5/0065; H05K 5/0069; H05K 5/0073;  
H05K 5/0078; H05K 5/0082; H05K

5/0086; H05K 5/0091; H05K 5/0095;  
H05K 5/03; H05K 5/04; H05K 5/06;  
H05K 5/061; H05K 5/062; H05K 5/063;  
H05K 5/064; H05K 5/065; H05K 5/066;  
H05K 5/067; H05K 5/068; H05K 5/069;  
H05K 7/00; H05K 7/005; H05K 7/02

See application file for complete search history.

(56) **References Cited**

U.S. PATENT DOCUMENTS

D796,363 S \* 9/2017 Ross ..... D10/103

\* cited by examiner

*Primary Examiner* — Antoine Duval Davis

(74) *Attorney, Agent, or Firm* — Shroeder Law PC

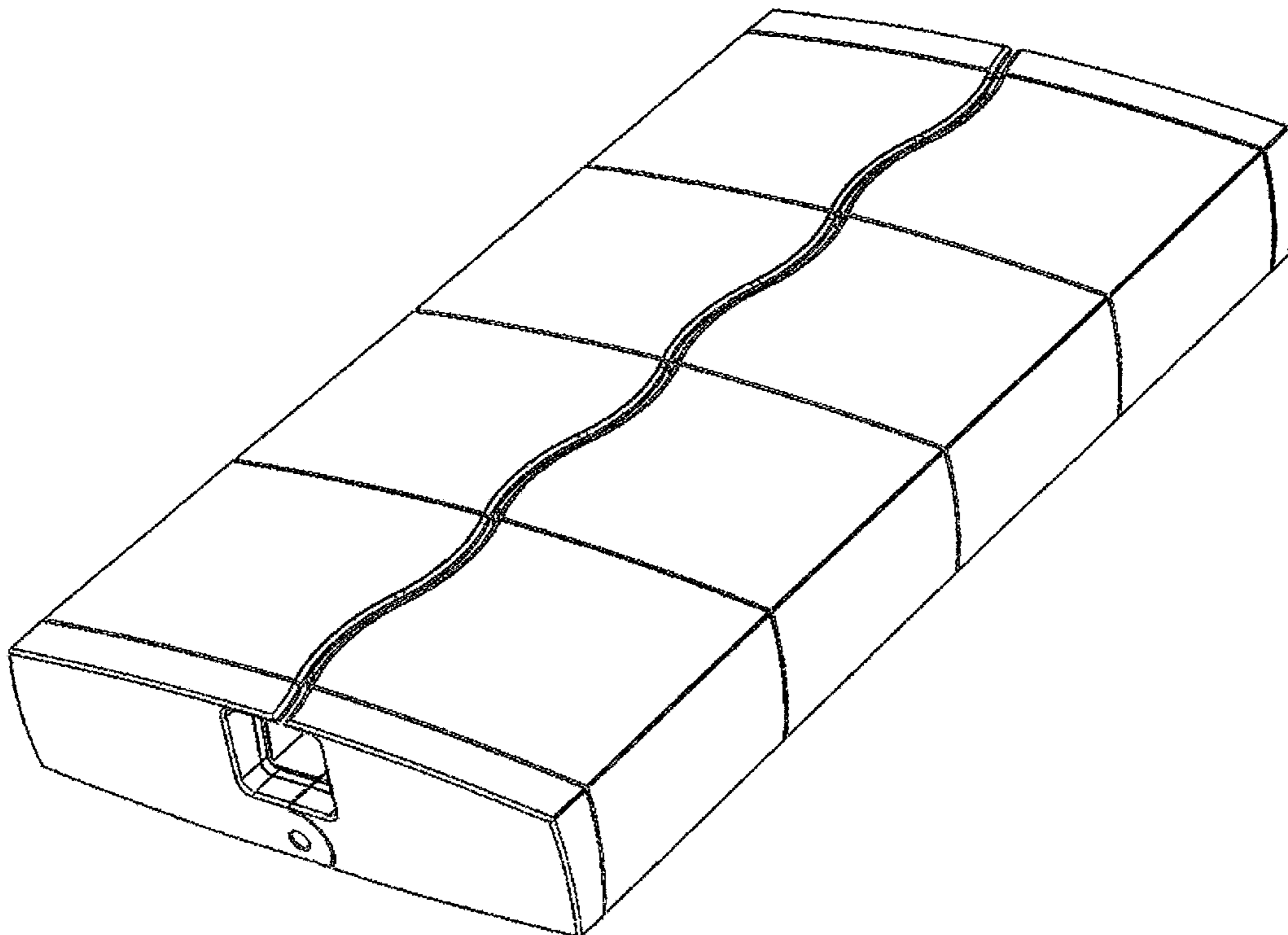
(57) **CLAIM**

The ornamental design for a housing for electronics, as shown and described.

**DESCRIPTION**

FIG. 1 is a perspective view of a housing for electronics showing my new design;  
FIG. 2 is a front view thereof shown in an enlarged scale;  
FIG. 3 is a right side view thereof;  
FIG. 4 is a rear view thereof shown in an enlarged scale;  
FIG. 5 is a top view thereof; and,  
FIG. 6 is a bottom view thereof.

**1 Claim, 6 Drawing Sheets**



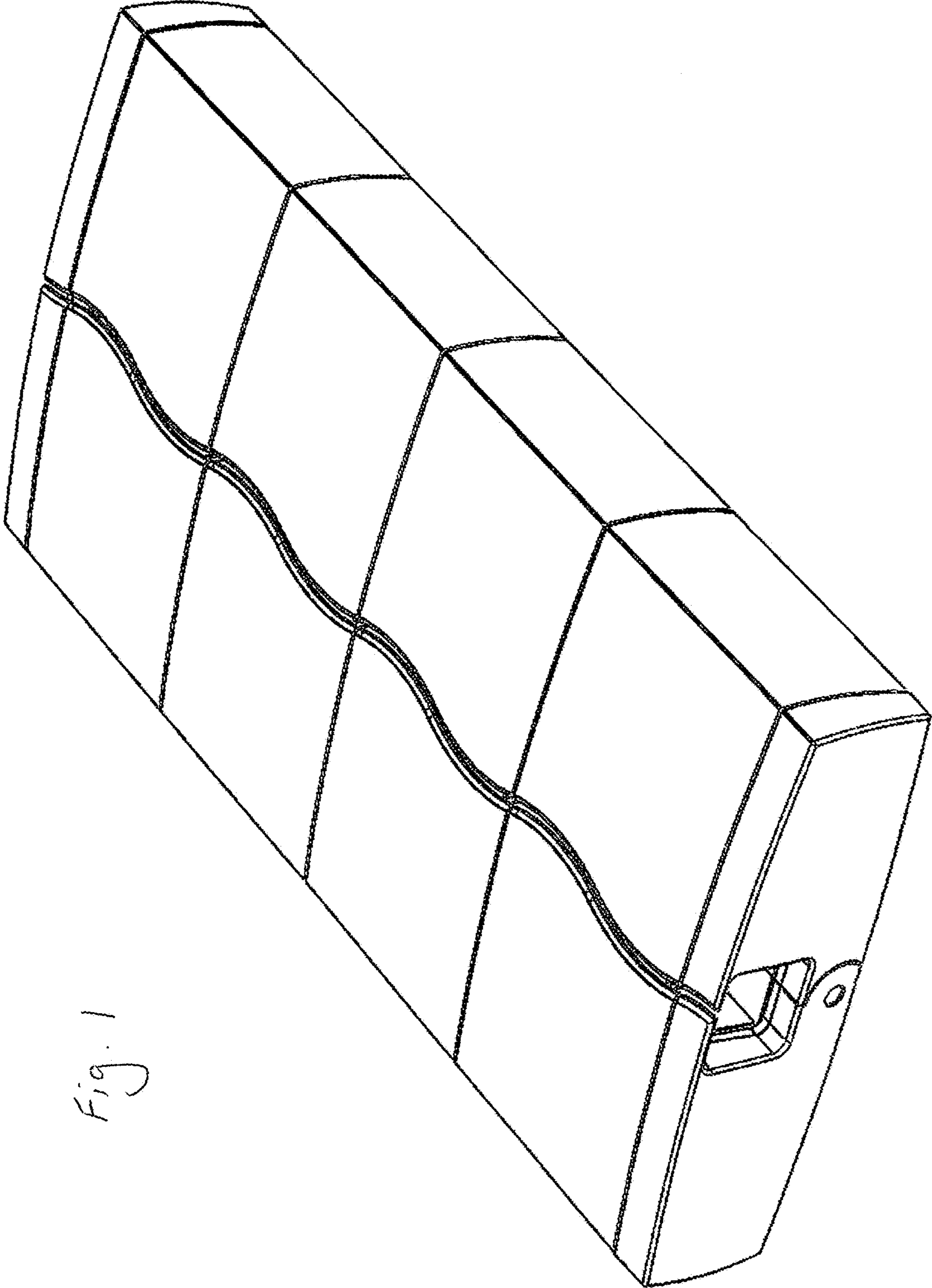


Fig. 1

Fig. 2

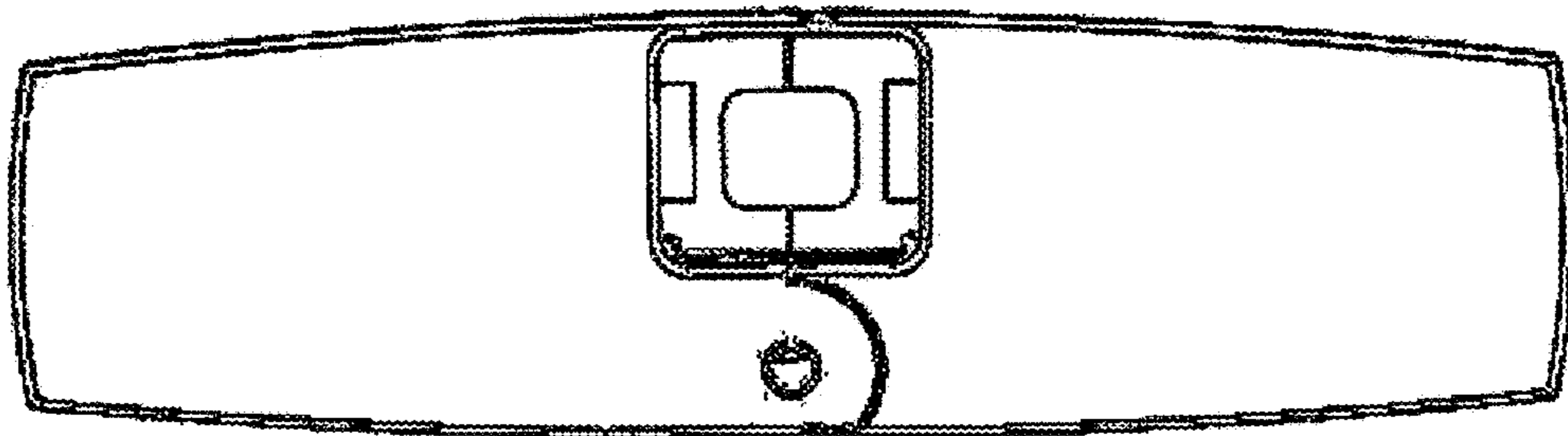
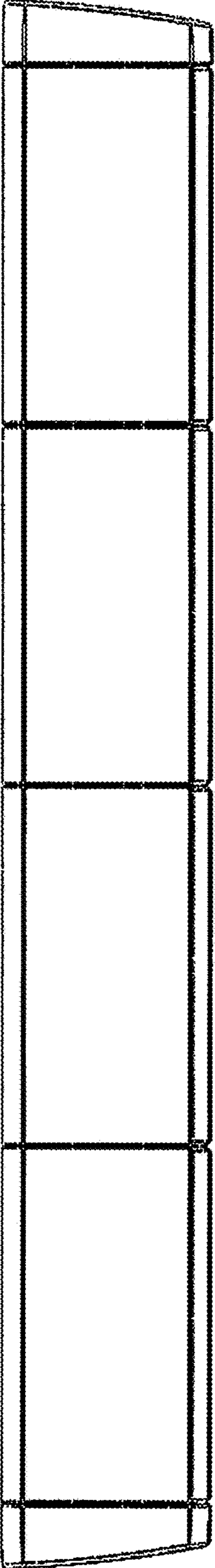


Fig. 3



*Fig. 4*

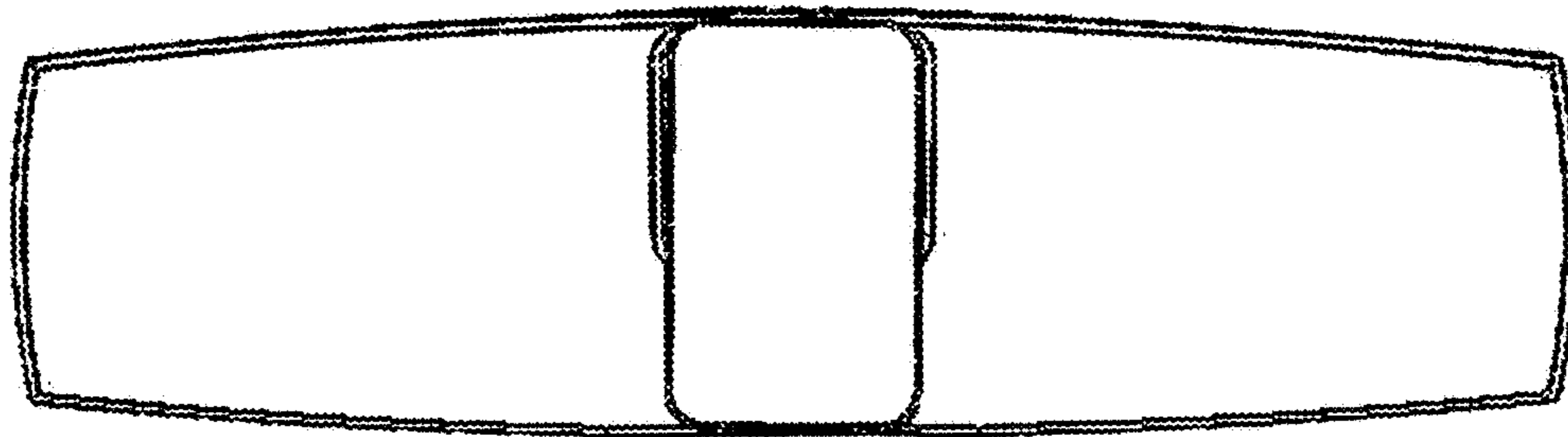


Fig. 5

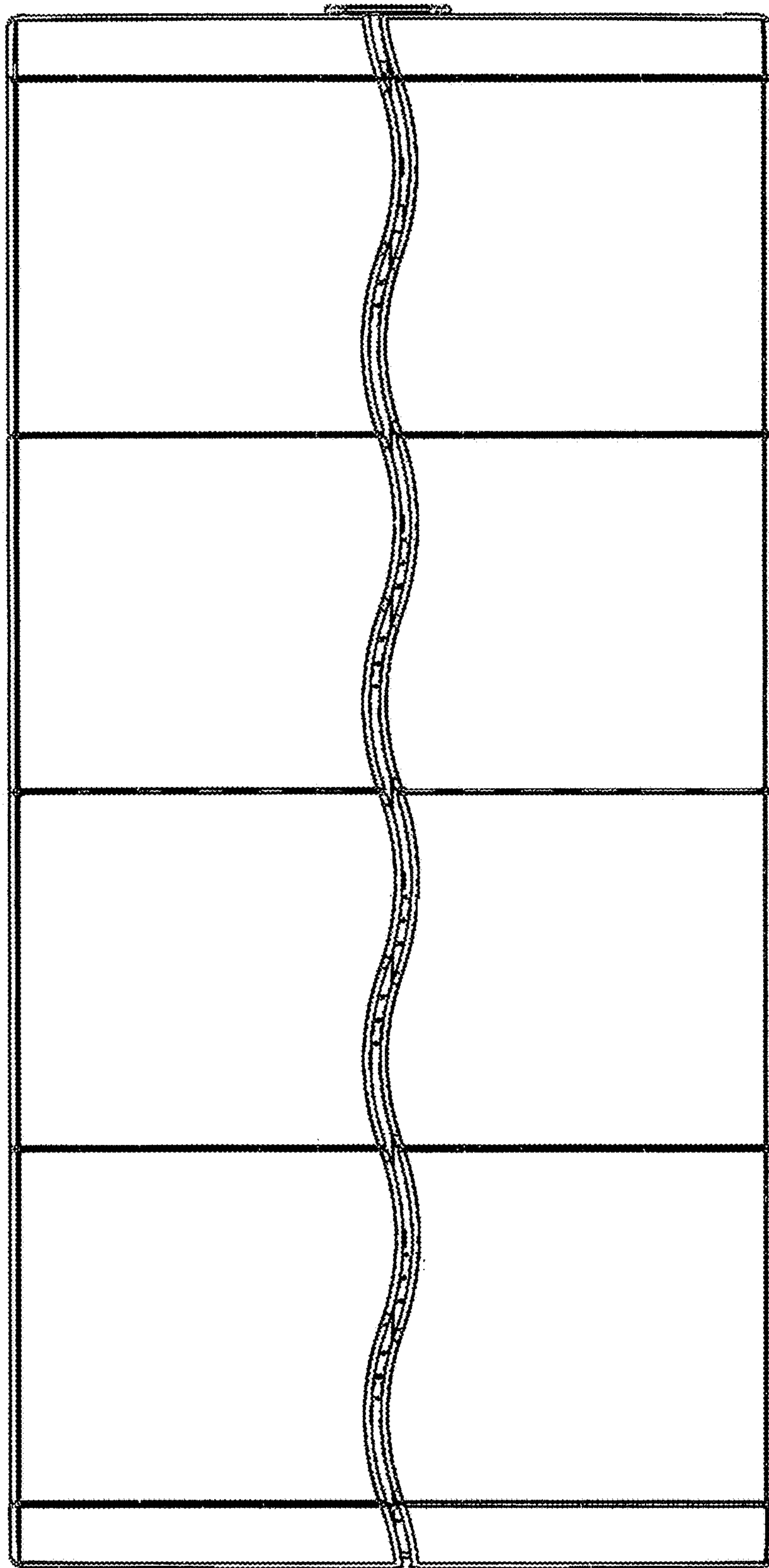


Fig. 6

