

US00D820698S

(12) **United States Design Patent**  
**Cobb et al.**

(10) **Patent No.:** **US D820,698 S**  
(45) **Date of Patent:** **\*\* Jun. 19, 2018**

(54) **MEASURING WHEEL WITH FIXED STAND**

*Primary Examiner* — Antoine Duval Davis

(71) Applicant: **APEX BRANDS, INC.**, Apex, NC  
(US)

(74) *Attorney, Agent, or Firm* — McNair Law Firm, P.A.

(72) Inventors: **Ian Michael Cobb**, Wixom, MI (US);  
**David Jonathan Byron**, Southfield, MI  
(US); **John Medicus**, Anderson, SC  
(US)

(57) **CLAIM**

The ornamental design for a measuring wheel with fixed stand, as shown and described.

(73) Assignee: **APEX BRANDS, INC.**, Apex, NC  
(US)

**DESCRIPTION**

(\*\*) Term: **15 Years**

FIG. 1 is a perspective view of a measuring wheel with fixed stand with blade extended in accordance with an embodiment of the present invention;

(21) Appl. No.: **29/589,223**

FIG. 2 is a front view of the measuring wheel with fixed stand of FIG. 1;

(22) Filed: **Dec. 29, 2016**

FIG. 3 is a back view of the measuring wheel with fixed stand of FIG. 1;

(51) **LOC (11) Cl.** ..... **10-04**

FIG. 4 is a right side view of the measuring wheel with fixed stand of FIG. 1;

(52) **U.S. Cl.**

USPC ..... **D10/70**

FIG. 5 is a left side view of the measuring wheel with fixed stand of FIG. 1;

(58) **Field of Classification Search**

USPC ..... **D10/70**

CPC ..... **G01B 3/12**

See application file for complete search history.

FIG. 6 is a top view of the measuring wheel with fixed stand of FIG. 1; and,

(56) **References Cited**

**U.S. PATENT DOCUMENTS**

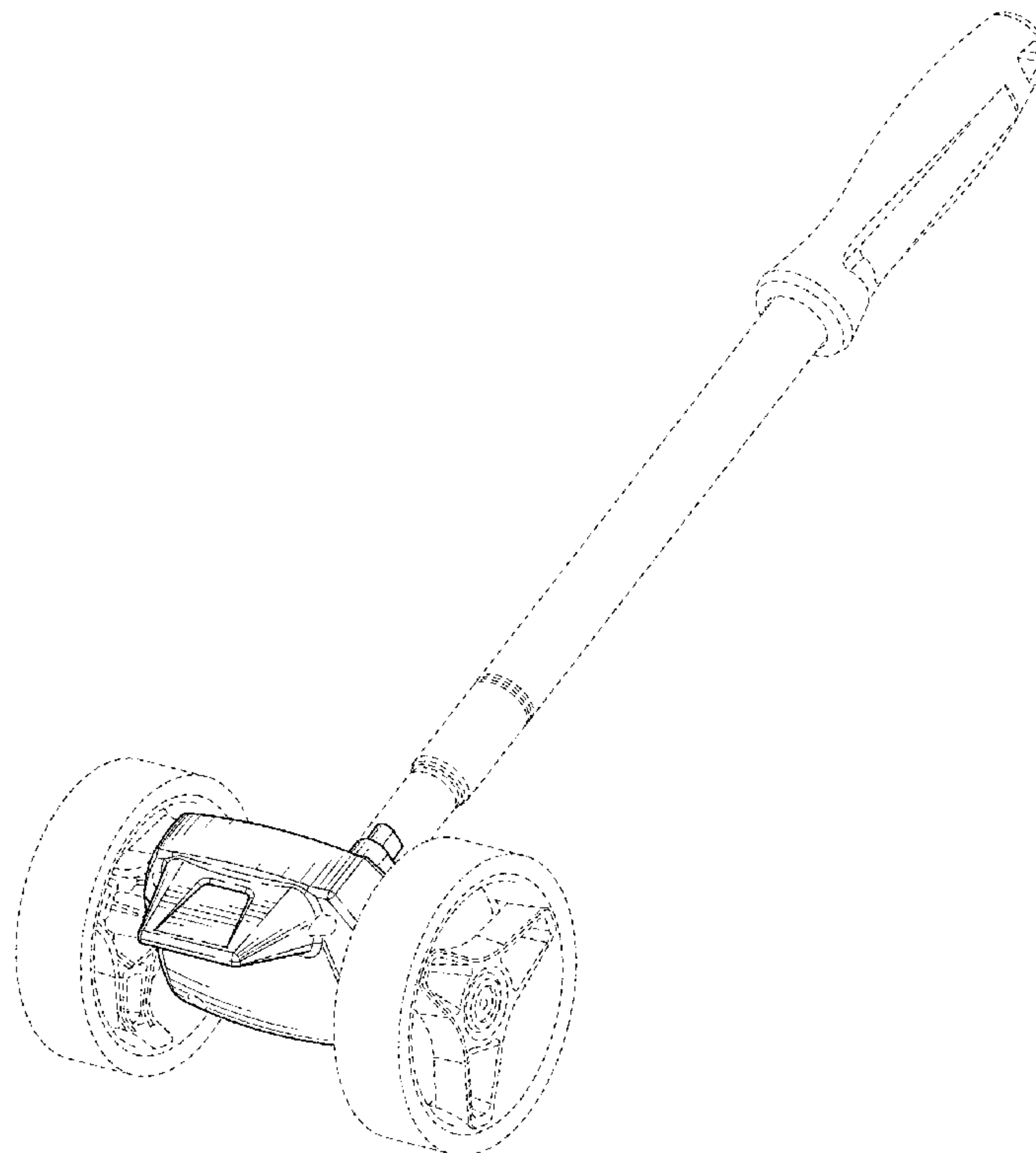
D361,249 S \* 8/1995 Bonte ..... D10/70  
D726,039 S \* 4/2015 Wojciechowski ..... D10/70

FIG. 7 is a bottom view of the measuring wheel with fixed stand of FIG. 1.

The broken lines of FIGS. 1-7 are illustrative of the visible environmental structure of the measuring wheel with fixed stand and form no part of the claimed design.

\* cited by examiner

**1 Claim, 6 Drawing Sheets**



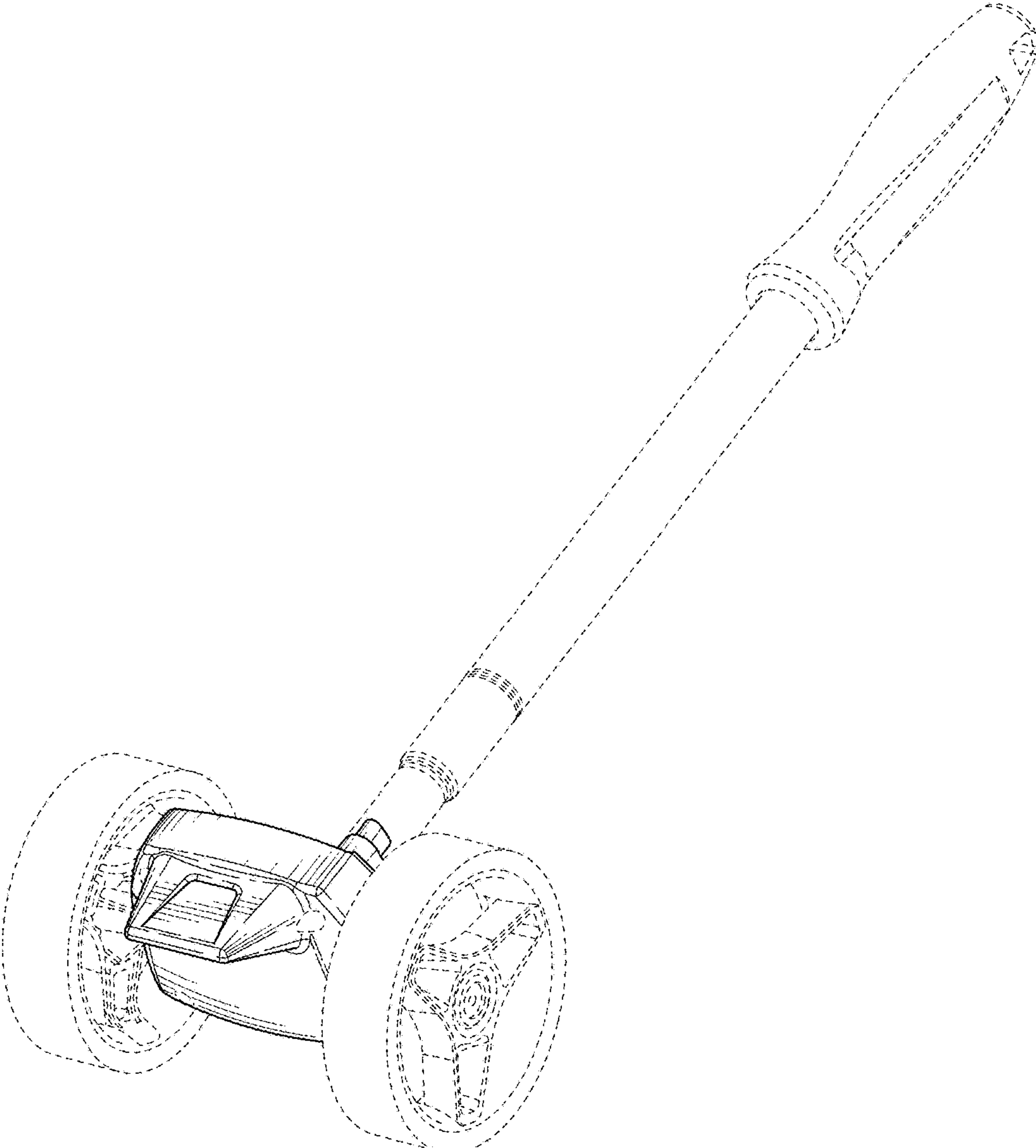


FIG. 1

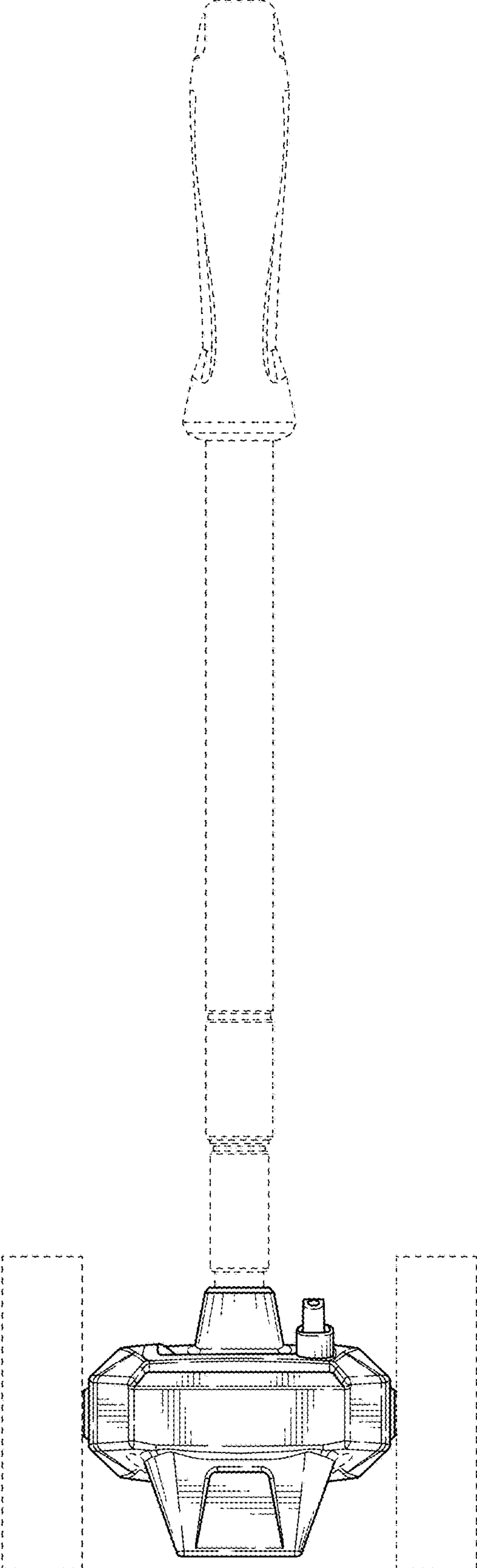


FIG. 2

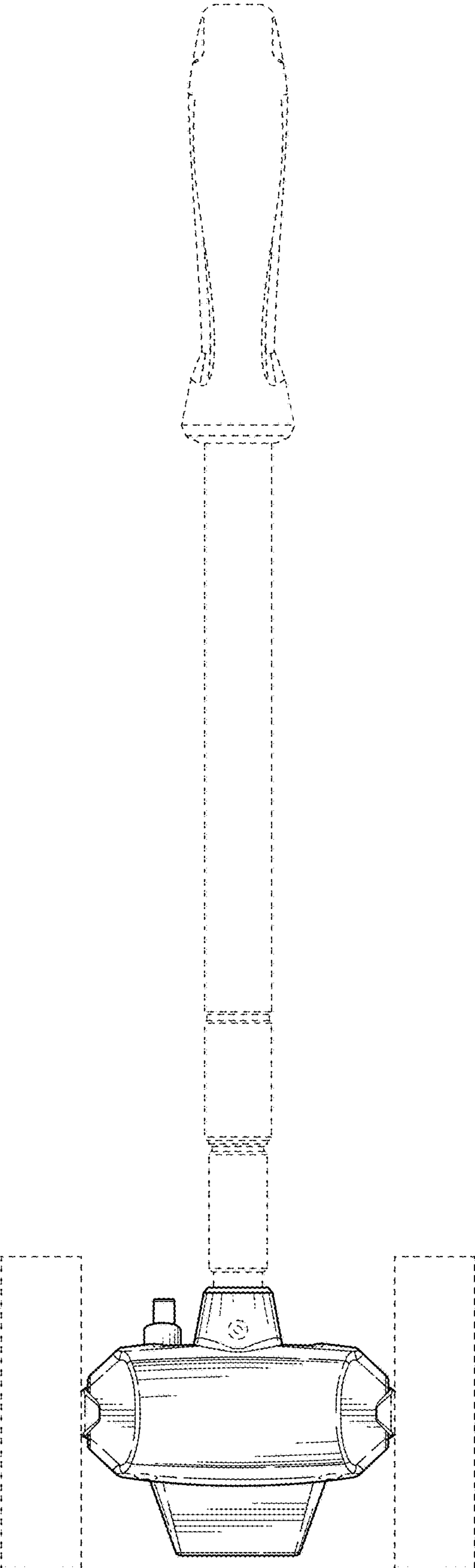


FIG. 3

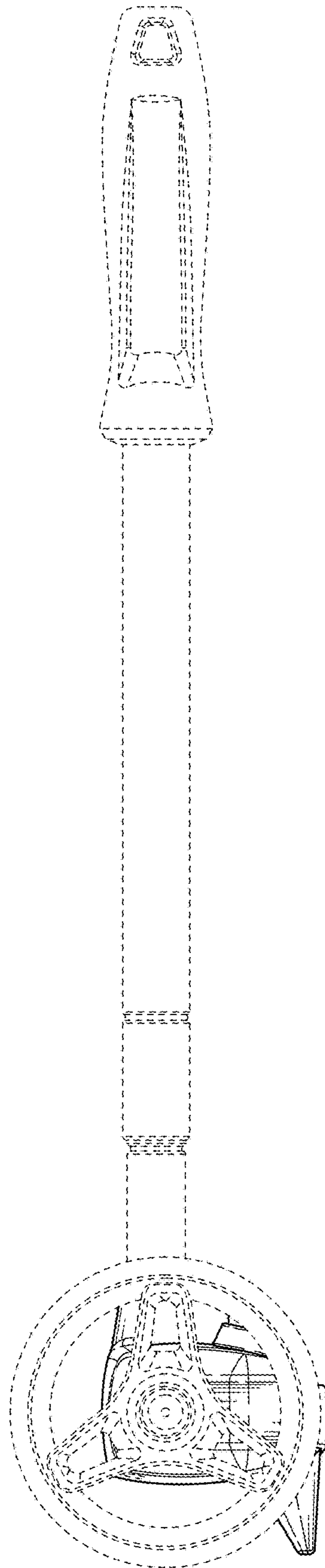


FIG. 4

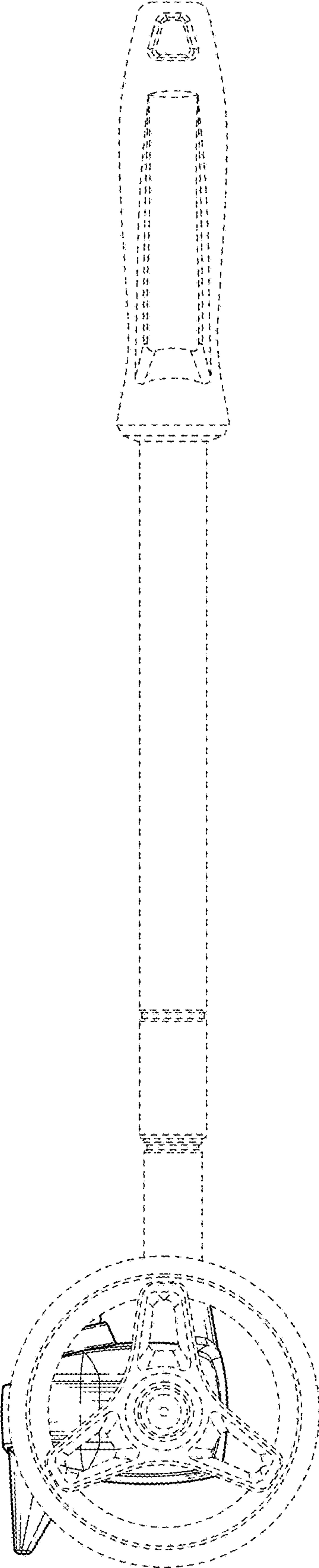


FIG. 5

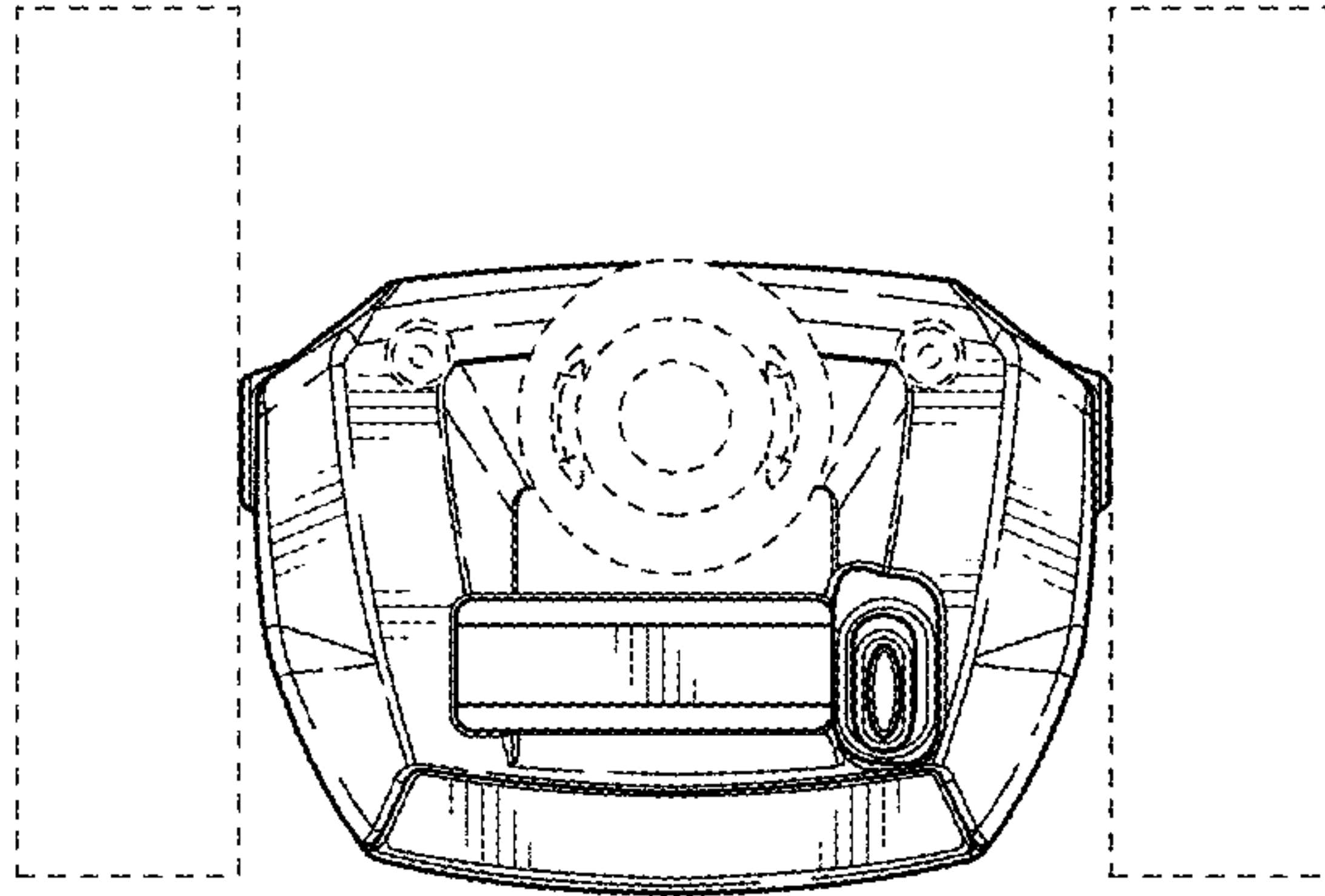


FIG. 6

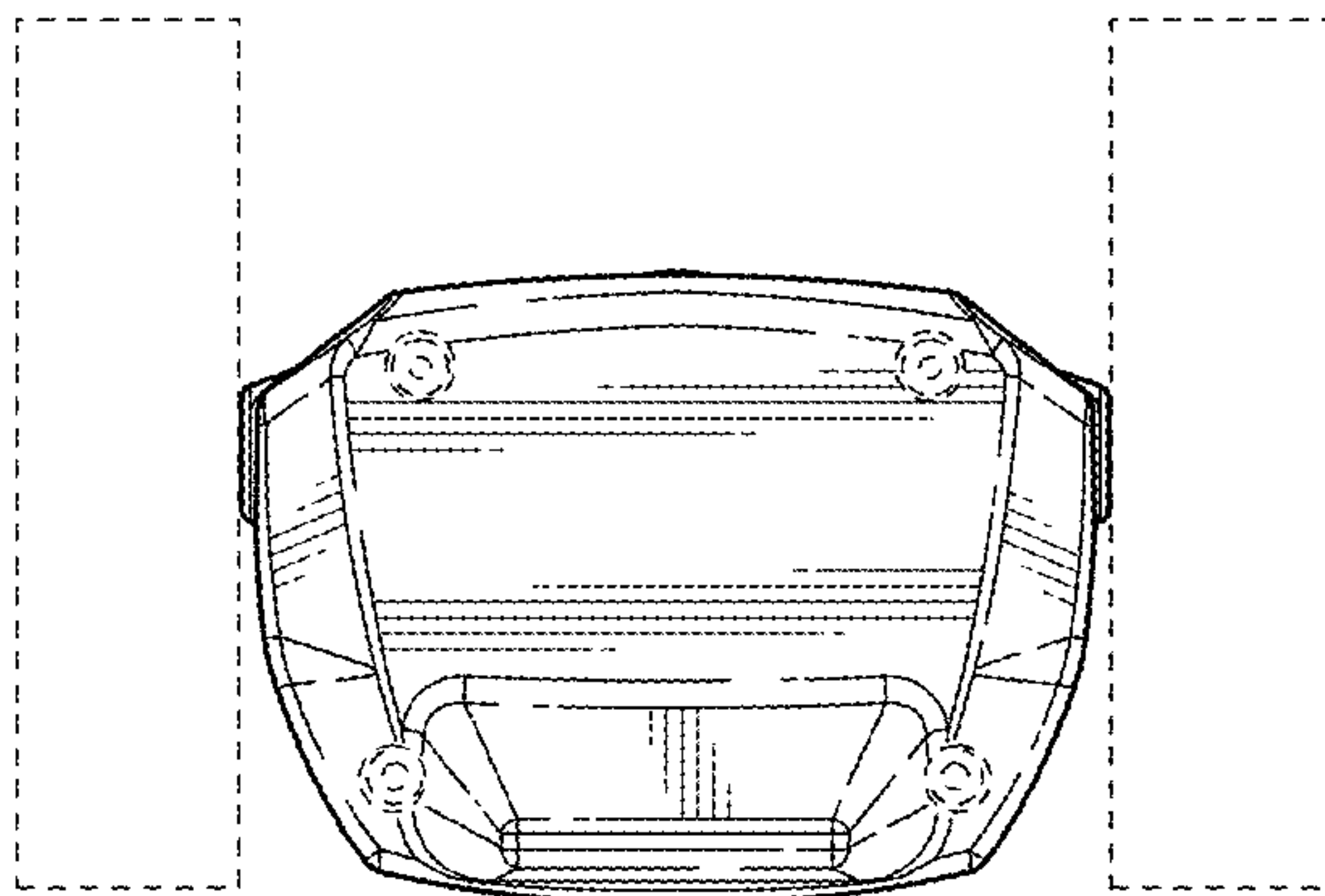


FIG. 7