



US00D820688S

(12) **United States Design Patent** (10) **Patent No.:** **US D820,688 S**
Fath (45) **Date of Patent:** **** Jun. 19, 2018**

(54) **DISPLAY PACKAGE**

(56)

References Cited

(71) Applicant: **Altria Client Services LLC**,
Richmond, VA (US)

U.S. PATENT DOCUMENTS

(72) Inventor: **Scott A. Fath**, Richmond, VA (US)

D117,986	S	12/1939	Weiss	
2,354,239	A	7/1944	Williamson	
D147,120	S	7/1947	Dietrich	
2,464,951	A *	3/1949	Stengren	B65D 5/5007 206/45.29

(73) Assignee: **ALTRIA CLIENT SERVICES LLC**,
Richmond, VA (US)

2,611,529	A	9/1952	Curivan	
2,727,620	A	12/1955	Buttery	
2,854,182	A *	9/1958	Dodd	B65D 5/4204 229/120.06

(**) Term: **15 Years**

(21) Appl. No.: **29/546,678**

2,948,390	A	8/1960	Wagaman	
2,980,242	A	4/1961	Miller	
D190,772	S *	6/1961	Cuyler	D9/418
3,029,934	A	4/1962	Hennessey	
3,033,357	A	5/1962	Vogel	
3,054,505	A *	9/1962	Hennessey	B65D 5/5007 206/216

(22) Filed: **Nov. 24, 2015**

Related U.S. Application Data

(62) Division of application No. 29/489,278, filed on Apr. 29, 2014, now Pat. No. Des. 746,699, which is a division of application No. 29/450,130, filed on Mar. 15, 2013, now Pat. No. Des. 710,713.

3,206,098	A	9/1965	Stenger et al.	
3,233,726	A	2/1966	Gero	
3,326,444	A	6/1967	Farquhar et al.	
D218,212	S	7/1970	Pfrommer	
3,521,810	A *	7/1970	Boyer	B65D 5/38 220/8

(51) **LOC (11) Cl.** **09-03**

(52) **U.S. Cl.**
USPC **D9/721; D9/418**

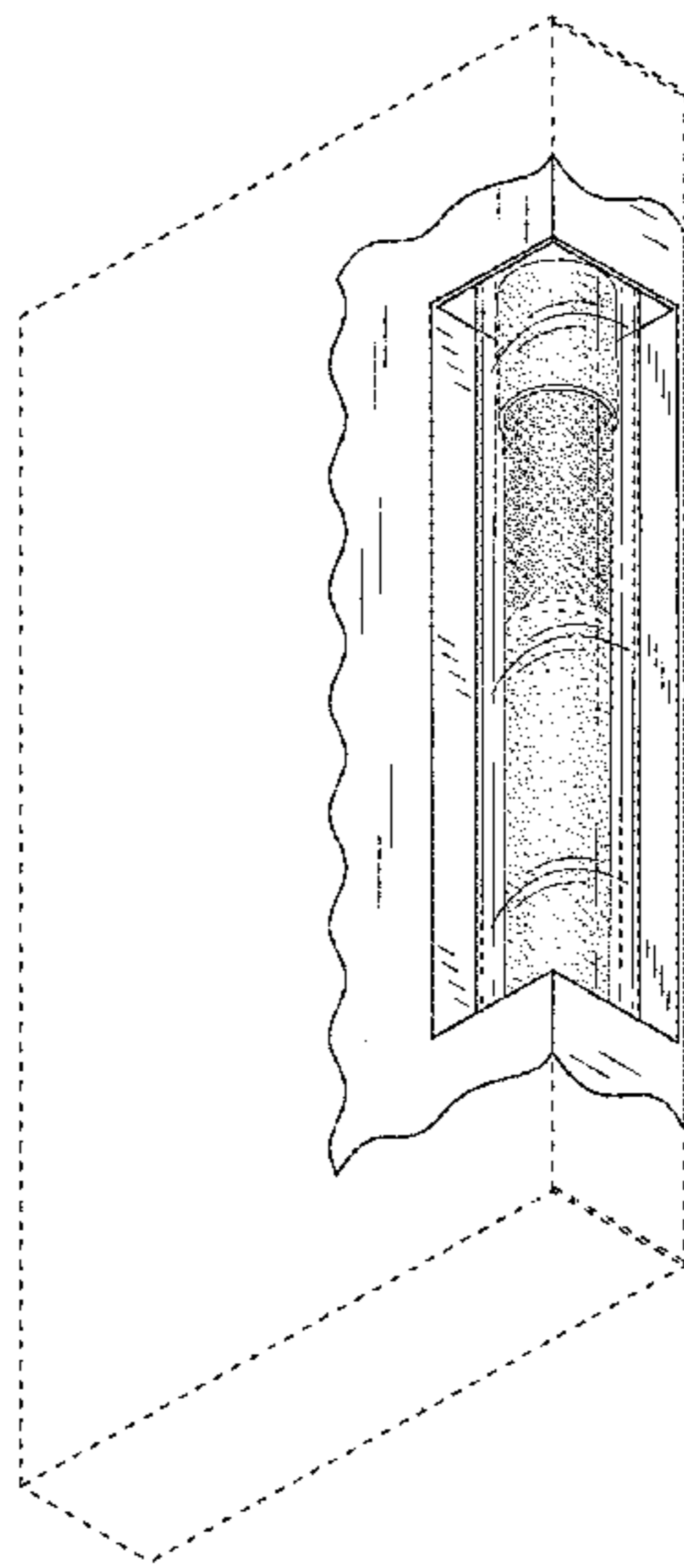
3,767,037	A	10/1973	Anderson	
3,828,923	A	8/1974	Phillips, Jr.	
4,106,615	A	8/1978	Hiroshi	
4,109,786	A *	8/1978	Roccaforte	B65D 5/5007 206/783

(58) **Field of Classification Search**

USPC D9/414, 418, 430, 432, 433, 715, 721;
D3/302, 901; D28/73, 76, 77, 83, 85, 86;
229/93, 100, 120.36, 120.35, 123.2, 124,
229/162.1, 162.7, 247; 206/223, 235,
206/242, 245, 256, 257, 271, 273, 385,
206/569, 570, 581, 765, 769, 775, 776
CPC B65D 5/4204; B65D 85/1036; B65D
85/1081; B65D 85/12; B65D 85/10;
B65D 85/00; B65D 2571/0066; B65D
77/02; B65D 25/54; B65D 25/04; B65D
5/42; B65D 5/5038; B65D 5/5035; B65D
75/38; B65D 77/042; B65D 71/36; B65D
75/522; Y10T 428/1303

4,125,185	A	11/1978	Bliss	
4,342,417	A	8/1982	Forbes, Jr.	
4,353,694	A	10/1982	Pelerin	
4,487,311	A	12/1984	Lavery	
4,524,871	A	6/1985	Klinger	
D290,175	S	6/1987	Bakic	
4,848,563	A	7/1989	Robbins	
4,865,204	A	9/1989	Vance	
D314,146	S	1/1991	Scholz	
D318,802	S *	8/1991	Egide	D9/418
5,044,548	A	9/1991	Olsen et al.	
5,226,534	A	7/1993	Kim	
D353,712	S	12/1994	Aalders	
5,848,690	A	12/1998	Granger et al.	
5,944,183	A	8/1999	Rowland et al.	
6,050,416	A	4/2000	Blin et al.	
6,244,501	B1	6/2001	Choi	

See application file for complete search history.



6,460,703	B1	10/2002	Thompson et al.	
D466,406	S	12/2002	Solland	
D466,804	S *	12/2002	Solland	D9/418
6,491,211	B1	12/2002	Evans et al.	
D546,669	S	7/2007	Sheppard et al.	
D563,218	S	3/2008	DeMalsche et al.	
D576,871	S	9/2008	Sheppard et al.	
D577,286	S	9/2008	Sheppard et al.	
7,424,955	B2	9/2008	Chen	
D588,449	S	3/2009	Bova et al.	
D600,110	S *	9/2009	Cain	D9/418
D601,009	S	9/2009	Shinn	
D602,637	S	10/2009	Helenowski	
D610,000	S *	2/2010	Schantz	D9/416
D654,786	S	2/2012	Rye et al.	
8,191,707	B2	6/2012	McDonald et al.	
8,235,204	B2 *	8/2012	Loughman	B65D 5/38 206/1.5
D679,950	S *	4/2013	Cooper	D7/538
8,584,843	B2 *	11/2013	Hillard	B65D 5/60 206/237
D699,103	S	2/2014	Rathbone et al.	
D699,562	S	2/2014	Klauder	
D700,049	S	2/2014	Athay	
D702,546	S	4/2014	McAdam	
D710,713	S	8/2014	Fath	
D732,384	S	6/2015	Fath	
D734,145	S	7/2015	Fath et al.	
D735,572	S	8/2015	Fath et al.	
D738,716	S *	9/2015	Nettenstrom	D9/418
D743,248	S	11/2015	Fath et al.	
D746,699	S	1/2016	Fath	
D746,700	S	1/2016	Boehnen et al.	
D755,044	S *	5/2016	Nettenstrom	D9/418
D756,780	S	5/2016	Grove et al.	
D756,781	S	5/2016	Grove et al.	
9,527,643	B2 *	12/2016	Streich	B65D 73/005
D787,933	S *	5/2017	Sill	D9/418
2005/0236282	A1	10/2005	Huska	
2011/0297559	A1	12/2011	Davis	
2012/0061290	A1	3/2012	Delaunay et al.	
2012/0227753	A1	9/2012	Newton	
2013/0140200	A1	6/2013	Scatterday	
2013/0342157	A1	12/2013	Liu	
2014/0097103	A1	4/2014	Cameron	
2014/0262871	A1	9/2014	Fath	
2015/0342252	A1	12/2015	Fath	
2016/0096658	A1	4/2016	Fath	

FOREIGN PATENT DOCUMENTS

DE	4339645	A1	5/1995
EP	0465257	A1	1/1992
EP	1818266	A1	8/2007
FR	021175-001		5/2002
FR	065761-001		1/2010
GB	2106366		8/2002
RU	46078	U1	6/2005
RU	63280	U1	5/2007
WO	WO-DM/072141		7/2009

OTHER PUBLICATIONS

U.S. Office Action dated Nov. 14, 2016 issued in corresponding U.S. Appl. No. 14/725,556.
 U.S. Office Action dated Nov. 16, 2016 issued in corresponding U.S. Appl. No. 29/541,752.
 U.S. Office Action dated Dec. 2, 2016 issued in corresponding U.S. Appl. No. 14/872,786.
 International Preliminary Report on Patentability and Written Opinion dated Nov. 29, 2016 issued in corresponding International Application No. PCT/US2015/033253.
 European Office Communication (Intention to Grant) dated Dec. 21, 2016 issued in corresponding European Application No. 14713355.7.
 HackYa. Philip Morris' Mark 10 Review. Apr. 24, 2014 [earliest online date], [site visited Oct. 19, 2016]. Available from Internet, <URL:http://hackya.com/us/philip-morris-mark-ten-review/>.

Russian Office Action dated Jul. 1, 2016 issued in corresponding Russian Application No. 2014501509 (no English translation).
 International Search Report and Written Opinion from corresponding International Application PCT/US2015/053518, dated Feb. 2, 2016.
 Website <http://alloy.ru> (Dec. 24, 2012).
 Written Opinion by the International Searching Authority in corresponding International Application PCT/US2014/022719, dated Jun. 12, 2014.
 International Search Report and Written Opinion from corresponding International Application PCT/US2015/033253, dated Oct. 21, 2015.
 Notification of Transmittal of International Preliminary Report on Patentability issued in corresponding International Application No. PCT/US2014/022719, dated Sep. 24, 2015.
 Office Action for Canadian Application No. 153050 dated Oct. 1, 2014.
 Office Action for Canadian Application No. 157964 dated Oct. 1, 2014.
 Office Action for Canadian Application No. 157971 dated Oct. 1, 2014.
 Office Action for Canadian Application No. 157963 dated Oct. 1, 2014.
 Office Action for Japanese Application No. 2013-021322 dated Sep. 30, 2014.
 Russian Federation Office Action dated Mar. 23, 2015 issued in corresponding Russian Federation Application No. 2014501509.
 Office Action dated Mar. 9, 2017 in related U.S. Appl. No. 29/541,752.
 Office Action dated Mar. 31, 2017 in related U.S. Appl. No. 14/872,786.
 Office Action dated Mar. 22, 2017 in related U.S. Appl. No. 13/843,314.
 Final Office Action dated Mar. 30, 2017 in related U.S. Appl. No. 14/725,556.
 International Preliminary Report on Patentability dated Apr. 4, 2017, in related PCT/US2015/053518.
 U.S. Office Action dated May 26, 2017 in related U.S. Appl. No. 14/725,556.
 U.S. Office Action dated Aug. 31, 2017 in related U.S. Appl. No. 13/843,314.
 U.S. Office Action dated Sep. 21, 2017 in related U.S. Appl. No. 14/872,786.
 Office Action for corresponding Chinese Application No. 2014/0024117.3 dated Oct. 17, 2017 and English translation thereof.
 U.S. Office Action dated Nov. 8, 2017 in related U.S. Appl. No. 14/725,556.
 U.S. Office Action dated Mar. 15, 2018 in related U.S. Appl. No. 13/843,314.
 Russian Search Report dated Feb. 26, 2018 in Russian Application No. 2015144319/12(068246), with an English translation.
 Russian Decision to Grant dated Feb. 28, 2018 in Russian Application No. 2015144319/12(068246), with an English translation.

* cited by examiner

Primary Examiner — Lauren R Calve
 (74) *Attorney, Agent, or Firm* — Harness, Dickey & Pierce, P.L.C.

(57) **CLAIM**

The ornamental design for a display package, as shown and described.

DESCRIPTION

FIG. 1 is a perspective view of a display package showing my new design.
 FIG. 2 is a front elevational view thereof.
 FIG. 3 is a rear elevational view thereof.
 FIG. 4 is a right side elevational view thereof.

FIG. 5 is a left side elevational view thereof.

FIG. 6 is a top plan view thereof; and,

FIG. 7 is a bottom plan view thereof.

The portions of the display package shown in broken lines in FIGS. 1-7 represent unclaimed subject matter and form no part of the claimed design.

1 Claim, 7 Drawing Sheets

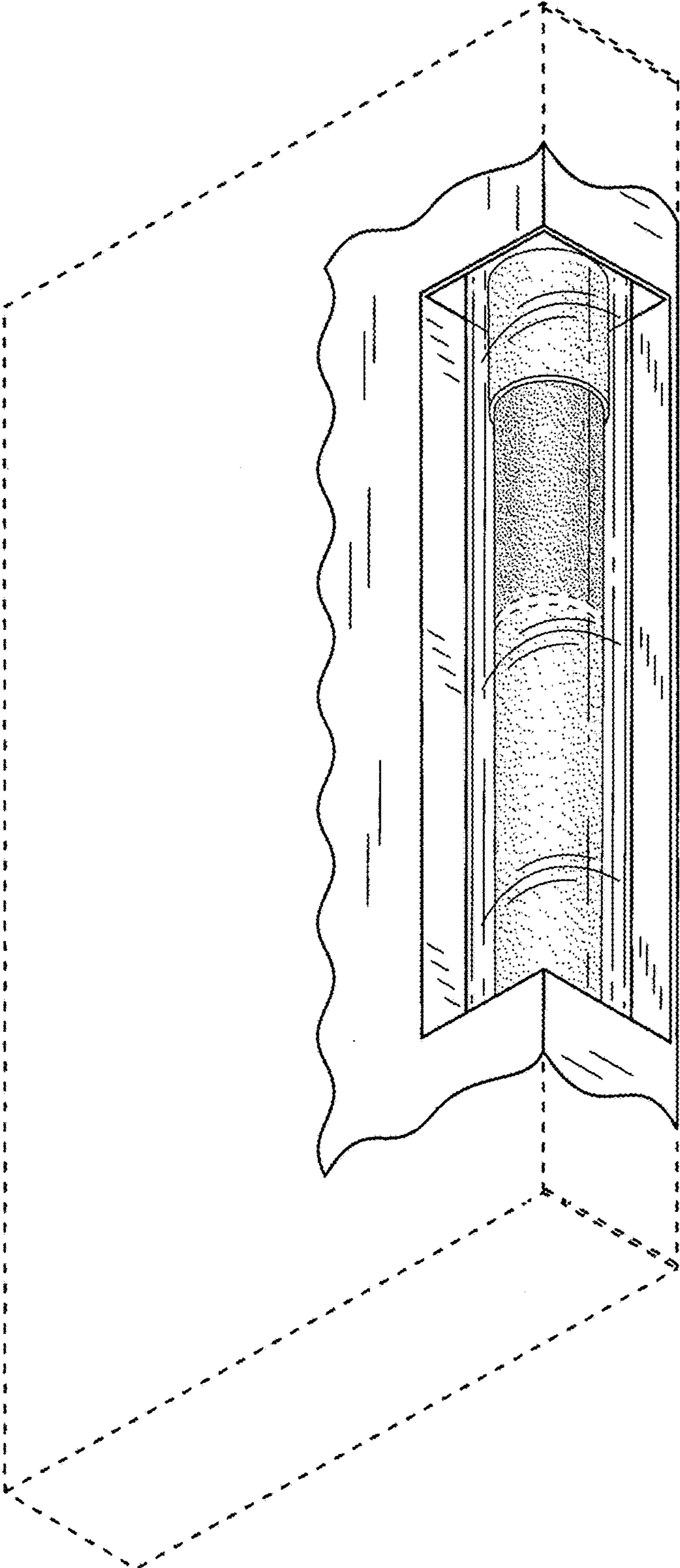


FIG. 1

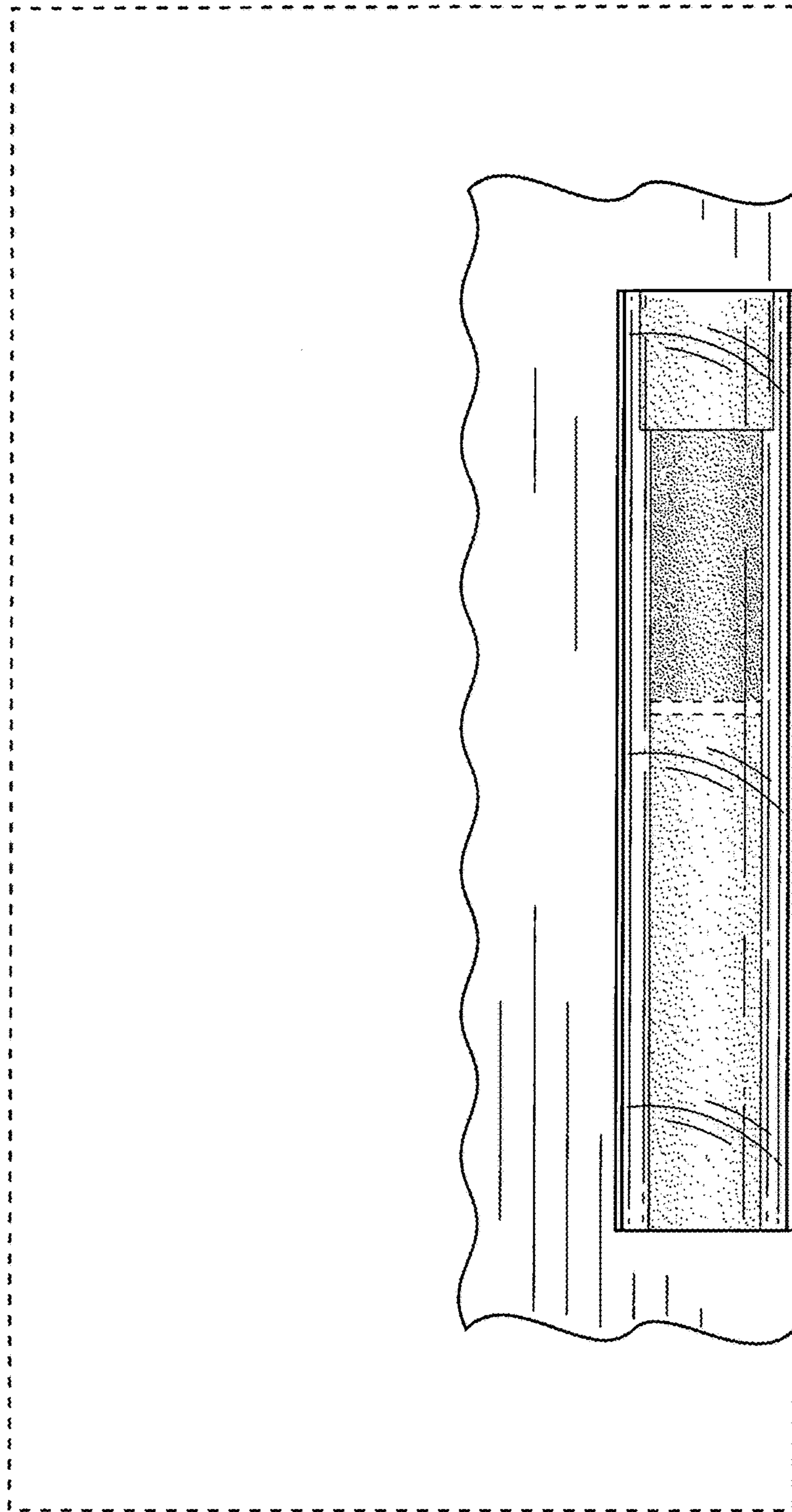


FIG. 2

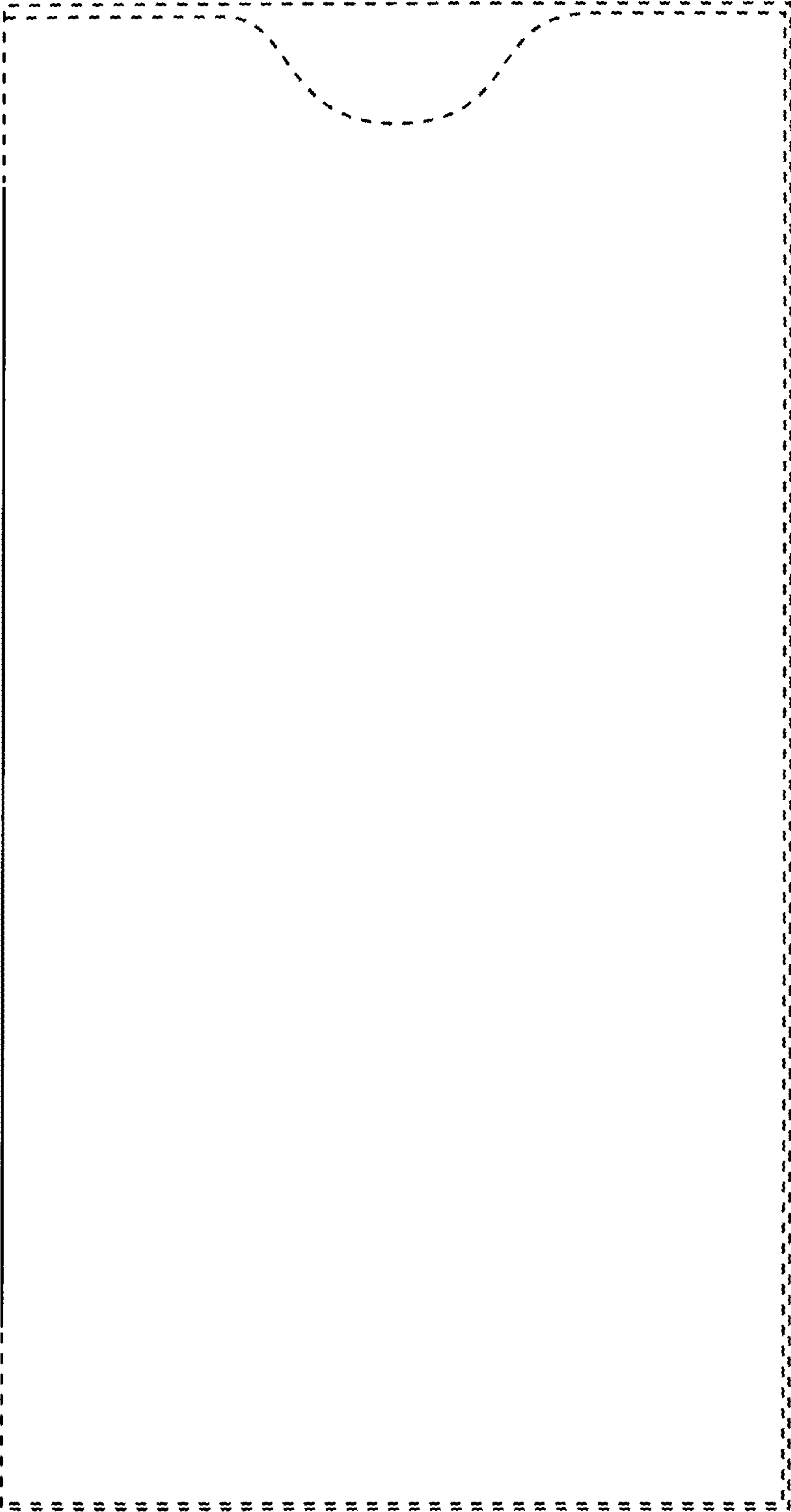


FIG. 3

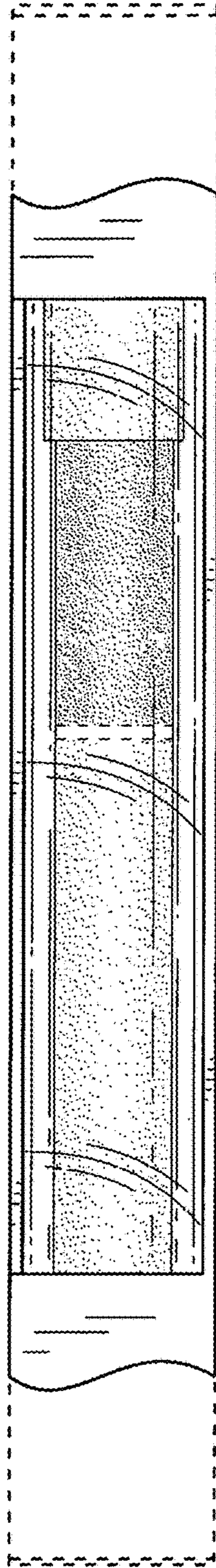


FIG. 4

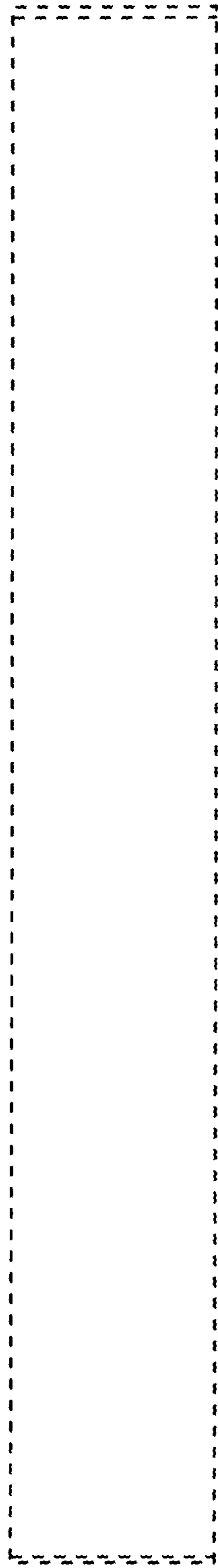


FIG. 5



FIG. 6



FIG. 7