



US00D820684S

(12) **United States Design Patent** (10) **Patent No.:** **US D820,684 S**
Egner (45) **Date of Patent:** **** Jun. 19, 2018**

(54) **BOW BOX**

(71) Applicant: **Olivia Egner**, Yardley, PA (US)

(72) Inventor: **Olivia Egner**, Yardley, PA (US)

(**) Term: **15 Years**

(21) Appl. No.: **29/577,575**

(22) Filed: **Sep. 14, 2016**

(51) **LOC (11) Cl.** **09-01**

(52) **U.S. Cl.**
 USPC **D9/635; D3/271.1**

(58) **Field of Classification Search**
 USPC D9/414-418, 420, 430, 432-433, 441,
 D9/521, 424-425, 635, 451, 501, 504,
 D9/531, 533-554, 564-575, 686-699,
 D9/701-702, 710-711, 722-723, 736,
 D9/740, 752, 755-756; D2/606, 710,
 D2/730, 762, 767, 787, 792, 795, 813,
 D2/821; D11/202, 74; D3/278, 293,
 D3/318; D28/79
 CPC B65D 75/36; B65D 43/161; B65D 17/12;
 A45D 2040/0025-2040/0062
 See application file for complete search history.

(56) **References Cited**

U.S. PATENT DOCUMENTS

5,361,413 A * 11/1994 Schaefer A41D 25/022
 2/144

D368,572 S * 4/1996 Pon D2/606

6,082,371 A 7/2000 Bader-Saltzman et al.

D453,863 S * 2/2002 Kang D1/125

D508,647 S * 8/2005 Silver D9/415

D534,333 S * 1/2007 Jones D2/606

D535,055 S * 1/2007 Been D2/606

D615,402 S * 5/2010 Doster D20/22

D622,142 S * 8/2010 de France D9/441

D654,369 S * 2/2012 Del Cerro D9/432

D727,164 S * 4/2015 Staab D9/635

D759,315 S * 6/2016 Mather D28/87

D760,961 S * 7/2016 Turner D28/79

D762,352 S * 8/2016 Shelby D2/895

D763,095 S * 8/2016 Monteparo D9/559

D777,580 S * 1/2017 Lloyd D9/451

9,655,394 B2 * 5/2017 Frimpong A41D 25/06

D788,997 S * 6/2017 Fore D30/145

D791,429 S * 7/2017 Lee D2/606

2003/0150402 A1 * 8/2003 Muller A01K 15/02
 119/856

2009/0032044 A1 2/2009 Grimm

2010/0212685 A1 8/2010 Garza

* cited by examiner

Primary Examiner — Caron D Veynar
Assistant Examiner — Mehri F Bajoul
 (74) *Attorney, Agent, or Firm* — Panitch Schwarze
 Belisario & Nadel LLP

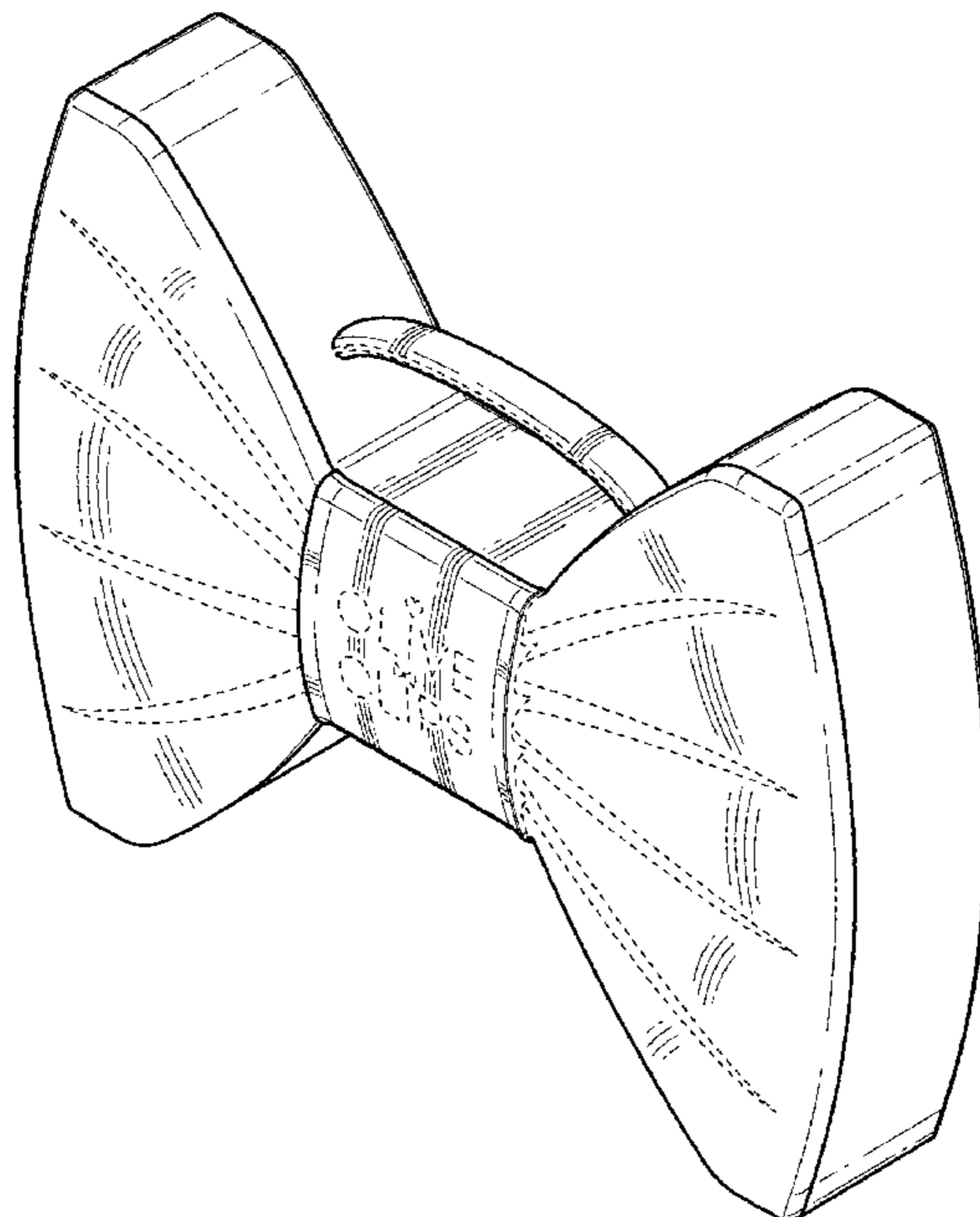
(57) **CLAIM**

The ornamental design for a bow box, as shown, and described.

DESCRIPTION

FIG. 1 is a front perspective view of a bow box in accordance with a preferred embodiment my new design;
 FIG. 2 is a front elevational view thereof;
 FIG. 3 is a left side elevational view thereof;
 FIG. 4 is a right side elevational view thereof;
 FIG. 5 is a top plan view therefore; and,
 FIG. 6 is a bottom plan view thereof.
 The broken lines in the figures illustrate portions of the bow box that form no part of the claimed design.

1 Claim, 4 Drawing Sheets



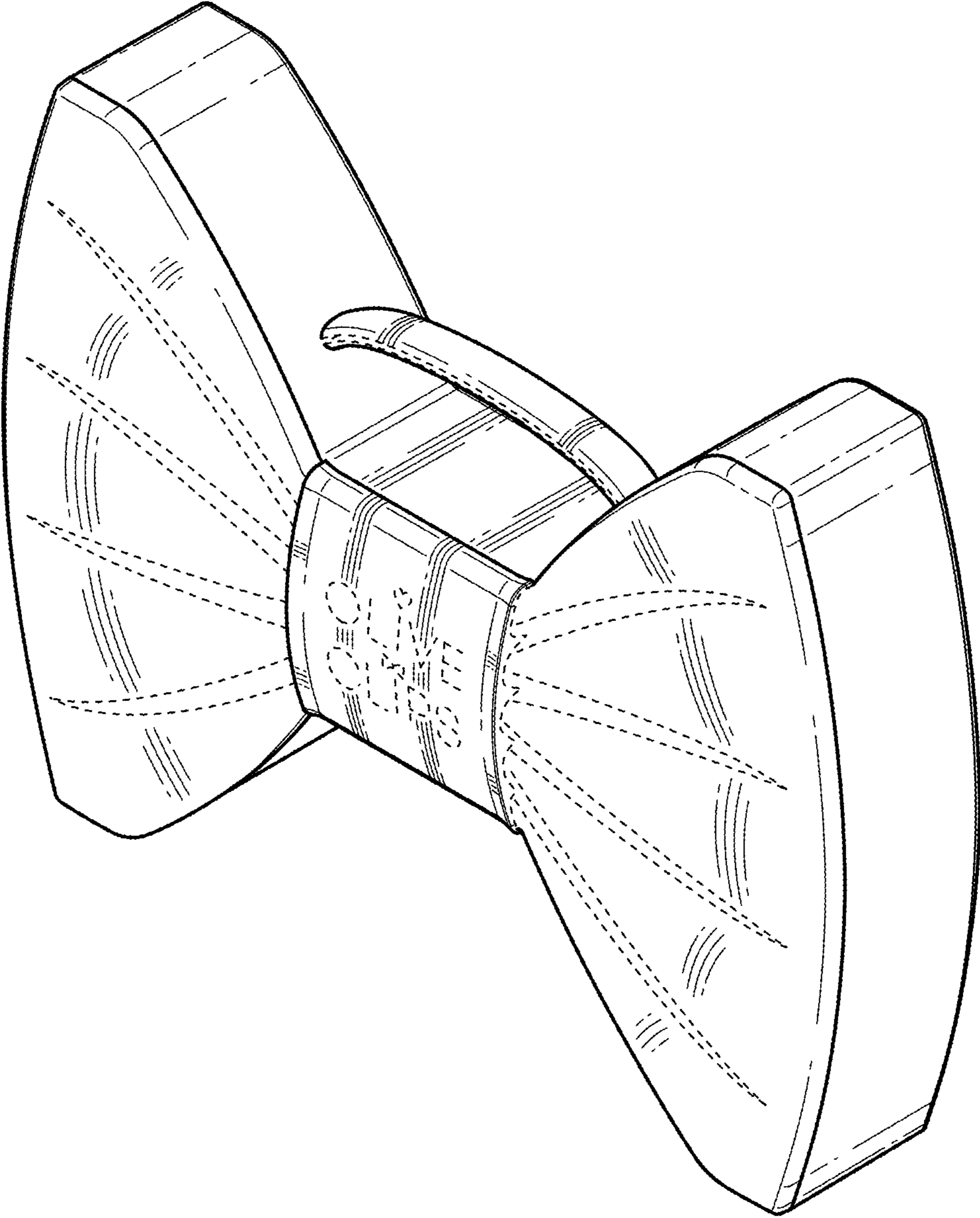


FIG. 1

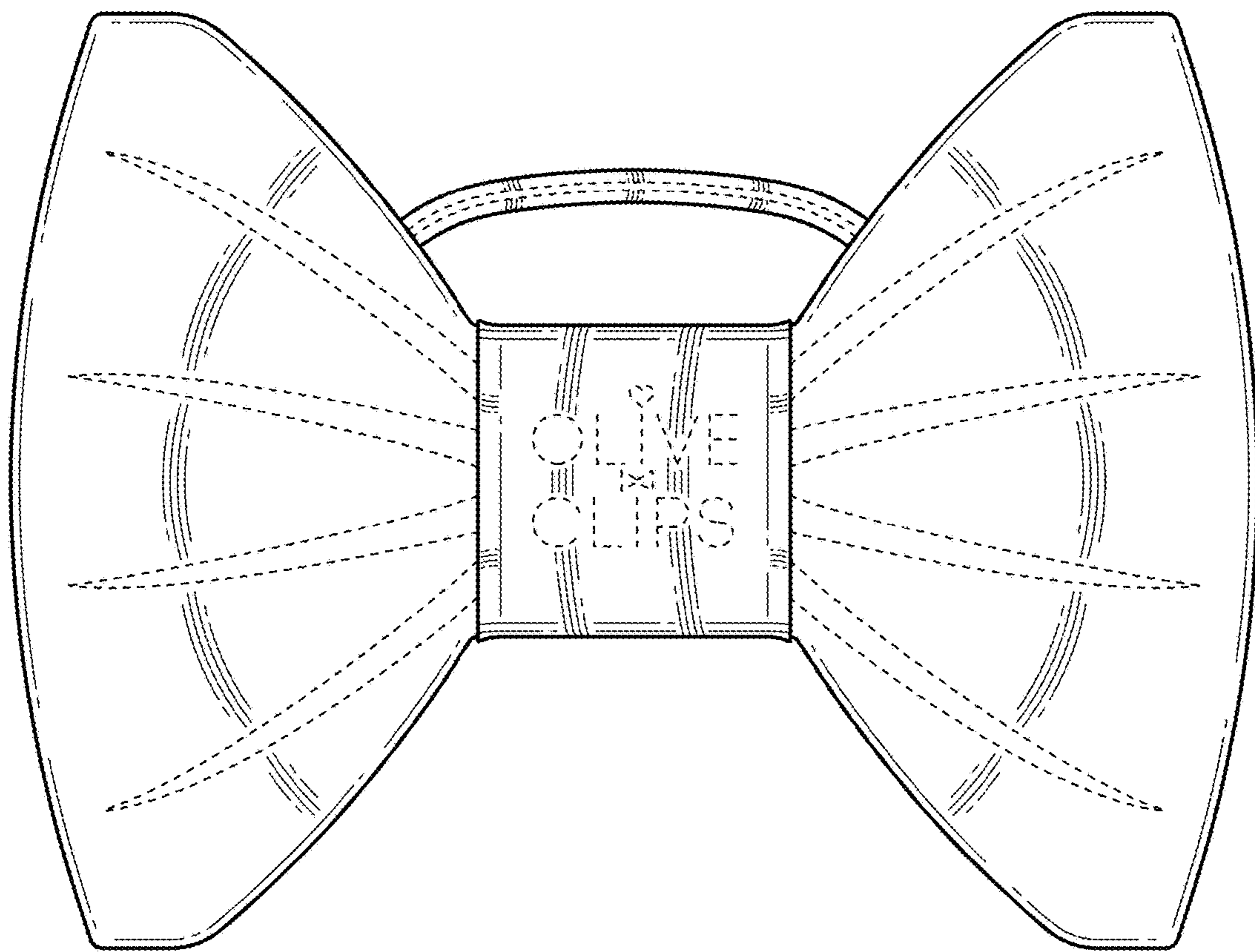


FIG. 2

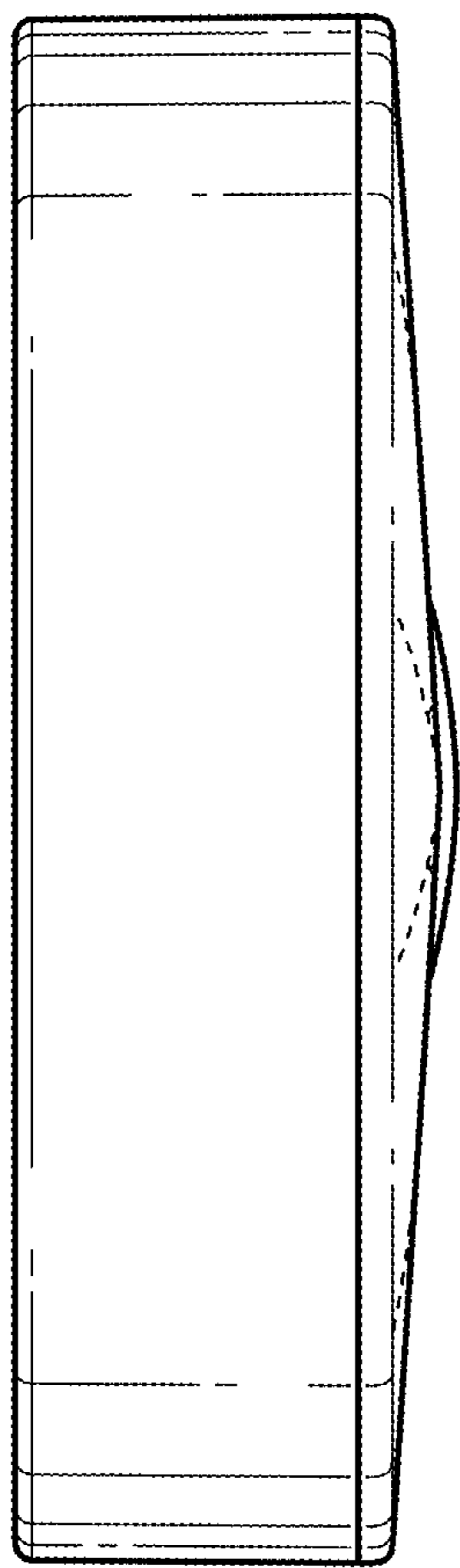


FIG. 3

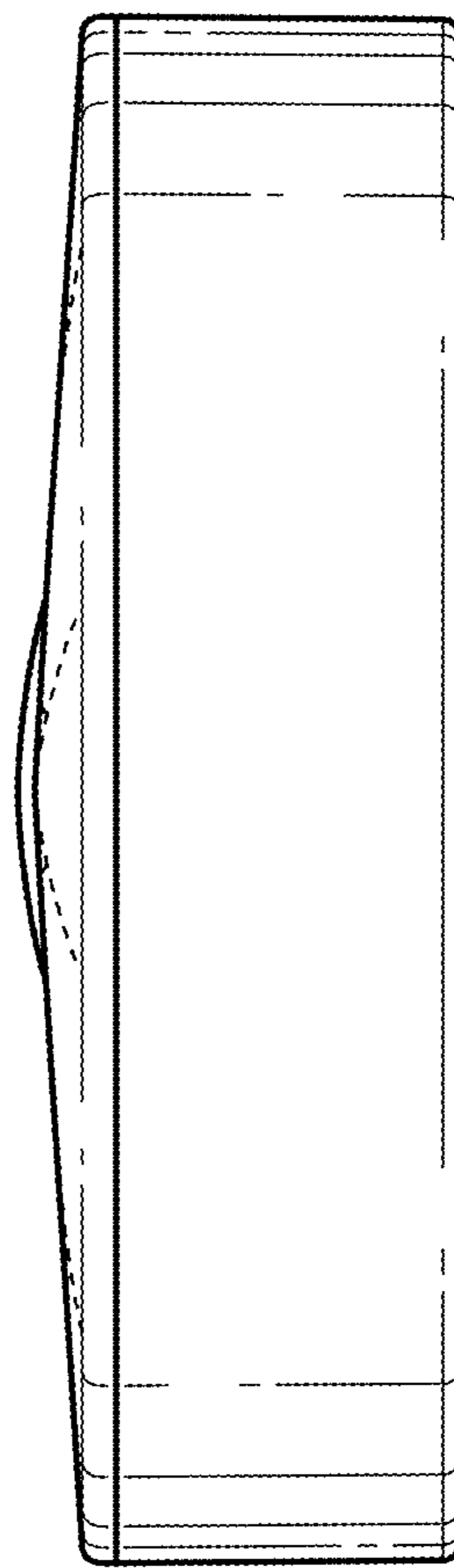


FIG. 4

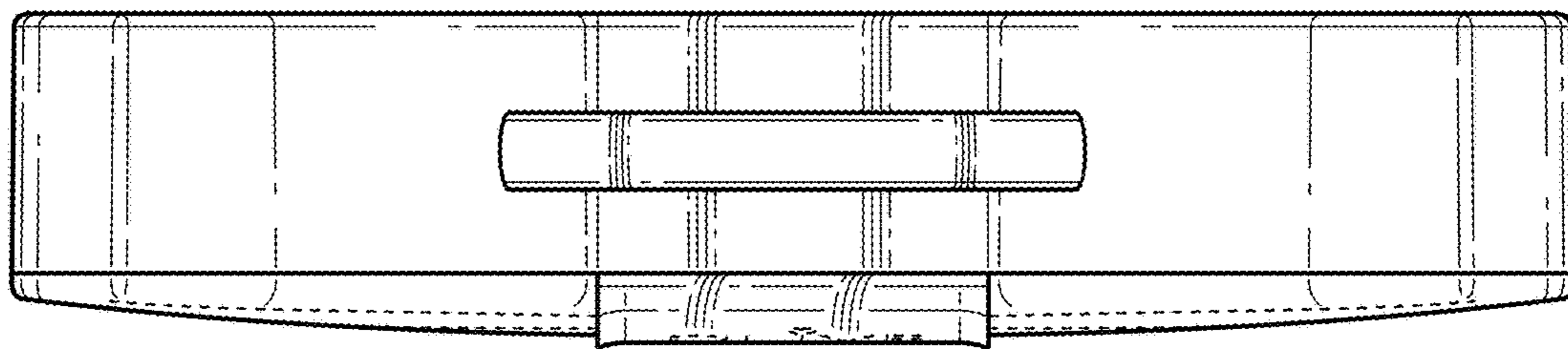


FIG. 5

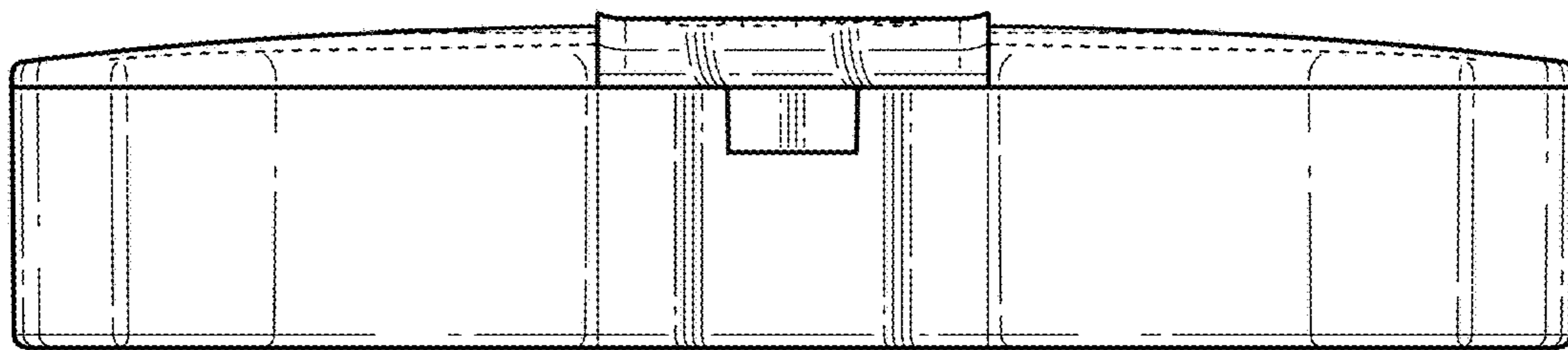


FIG. 6