



US00D820683S

(12) **United States Design Patent**  
**Perrulli**

(10) **Patent No.:** **US D820,683 S**  
(45) **Date of Patent:** **\*\* Jun. 19, 2018**

(54) **BOTTLE**

(71) Applicant: **govino, LLC**, St. Helena, CA (US)

(72) Inventor: **Joseph T. Perrulli**, St. Helena, CA (US)

(73) Assignee: **govino, LLC**, Newport Beach, CA (US)

(\*\*) Term: **15 Years**

(21) Appl. No.: **29/586,181**

(22) Filed: **Dec. 1, 2016**

(51) **LOC (11) Cl.** ..... **09-01**

(52) **U.S. Cl.**  
USPC ..... **D9/540**

(58) **Field of Classification Search**  
USPC ..... D9/516, 519, 520, 521, 527, 528, 529,  
D9/530, 531, 533, 540, 542, 550, 553,  
D9/556, 557, 558, 559, 563, 564, 565,  
D9/566, 567, 536, 537, 538, 539, 541,  
D9/543, 522, 544, 545; D3/202, 203.1,  
D3/205; D4/114; D6/515, 542; D7/300,  
D7/300.1, 598  
CPC ..... B65D 2501/0009; B65D 2501/00; B65D  
23/00; B65D 1/0223; B65D 1/00; B65D  
1/02

See application file for complete search history.

(56) **References Cited**

**U.S. PATENT DOCUMENTS**

D288,293 S \* 2/1987 Arvans ..... D18/43  
D577,547 S \* 9/2008 Willat ..... D7/509

RE41,055 E \* 12/2009 Choke-arpornchai ..... D9/516  
D646,926 S \* 10/2011 Willat ..... D7/509  
D685,218 S \* 7/2013 Willat ..... D7/316  
D698,647 S \* 2/2014 Maillet ..... D9/500  
D727,670 S \* 4/2015 Rokos ..... D7/300  
D739,245 S \* 9/2015 Dachs ..... B65D 1/0284  
D9/516  
D741,719 S \* 10/2015 Reynolds ..... D9/545  
D752,447 S \* 3/2016 Reynolds ..... D9/545  
D758,875 S \* 6/2016 Peacock ..... D9/414  
2006/0249518 A1 \* 11/2006 Festa ..... A47G 19/2205  
220/669

\* cited by examiner

*Primary Examiner* — Caron D Veynar

*Assistant Examiner* — Katrina N Gonzalez

(74) *Attorney, Agent, or Firm* — Lowry Blixseth LLP

(57) **CLAIM**

The ornamental design for a bottle, as shown and described.

**DESCRIPTION**

FIG. 1 is a perspective view showing the front, top and left sides of the bottle;

FIG. 2 is a front elevation view of the bottle;

FIG. 3 is a rear elevation view of the bottle;

FIG. 4 is a left side elevation view of the bottle;

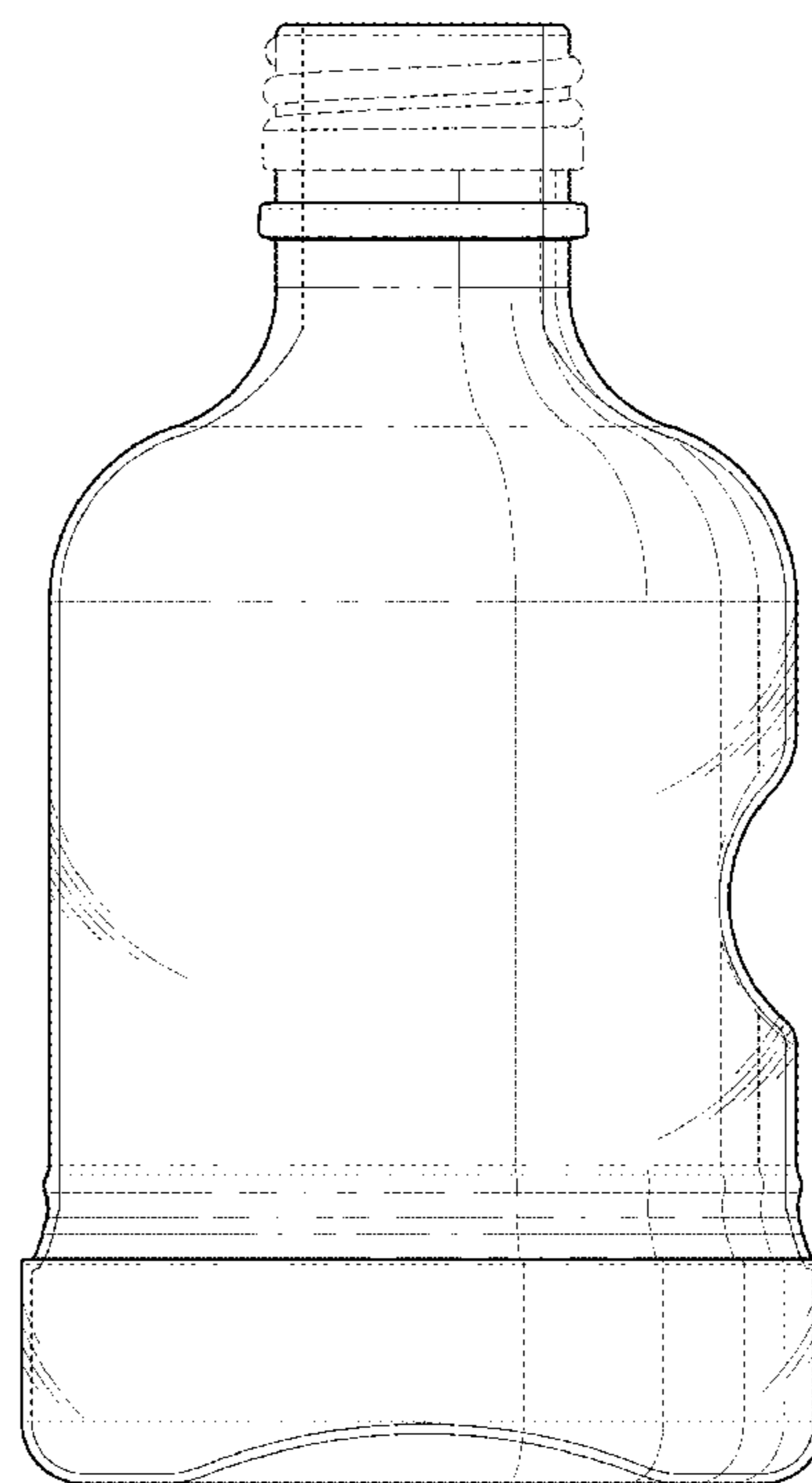
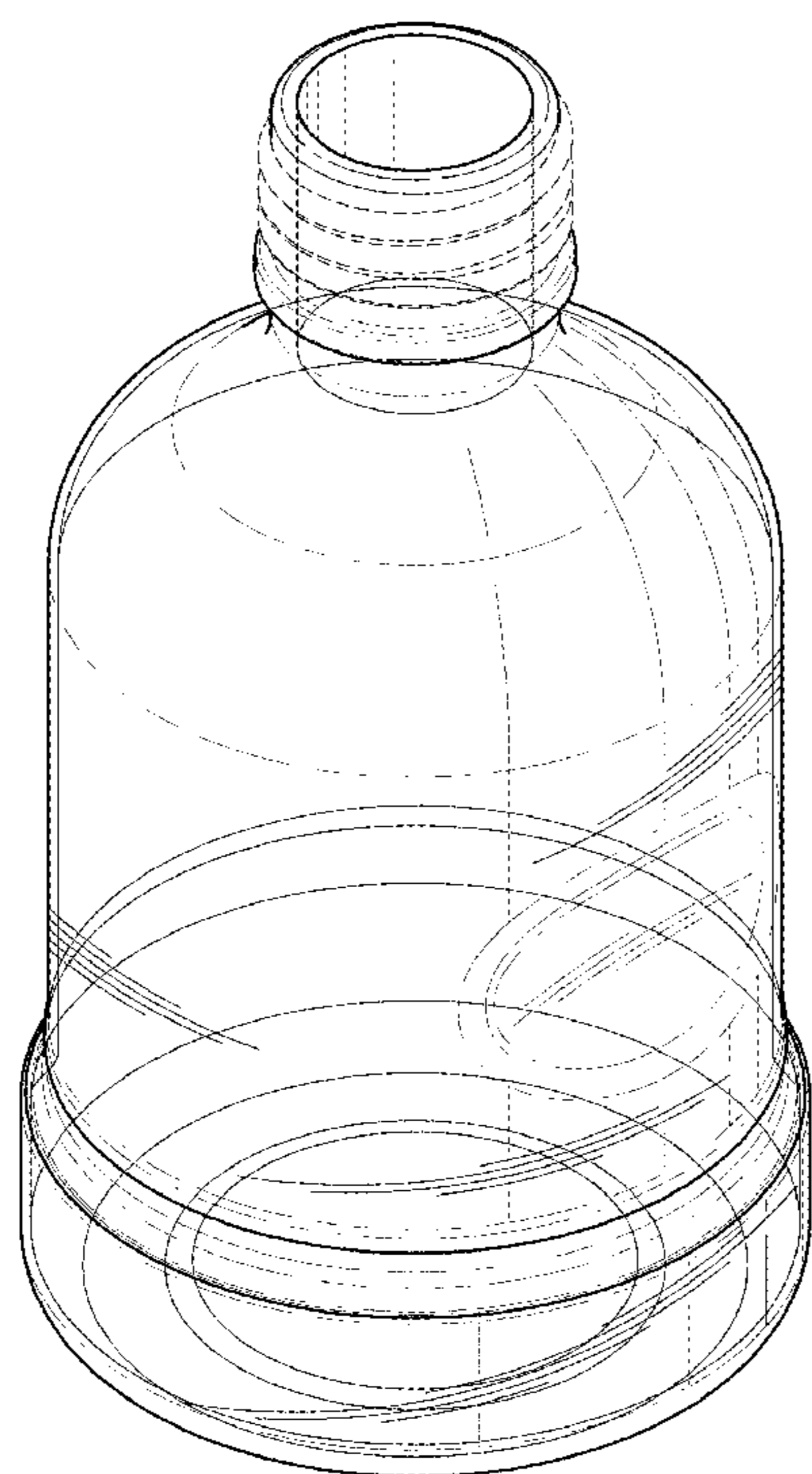
FIG. 5 is a right side elevation view of the bottle;

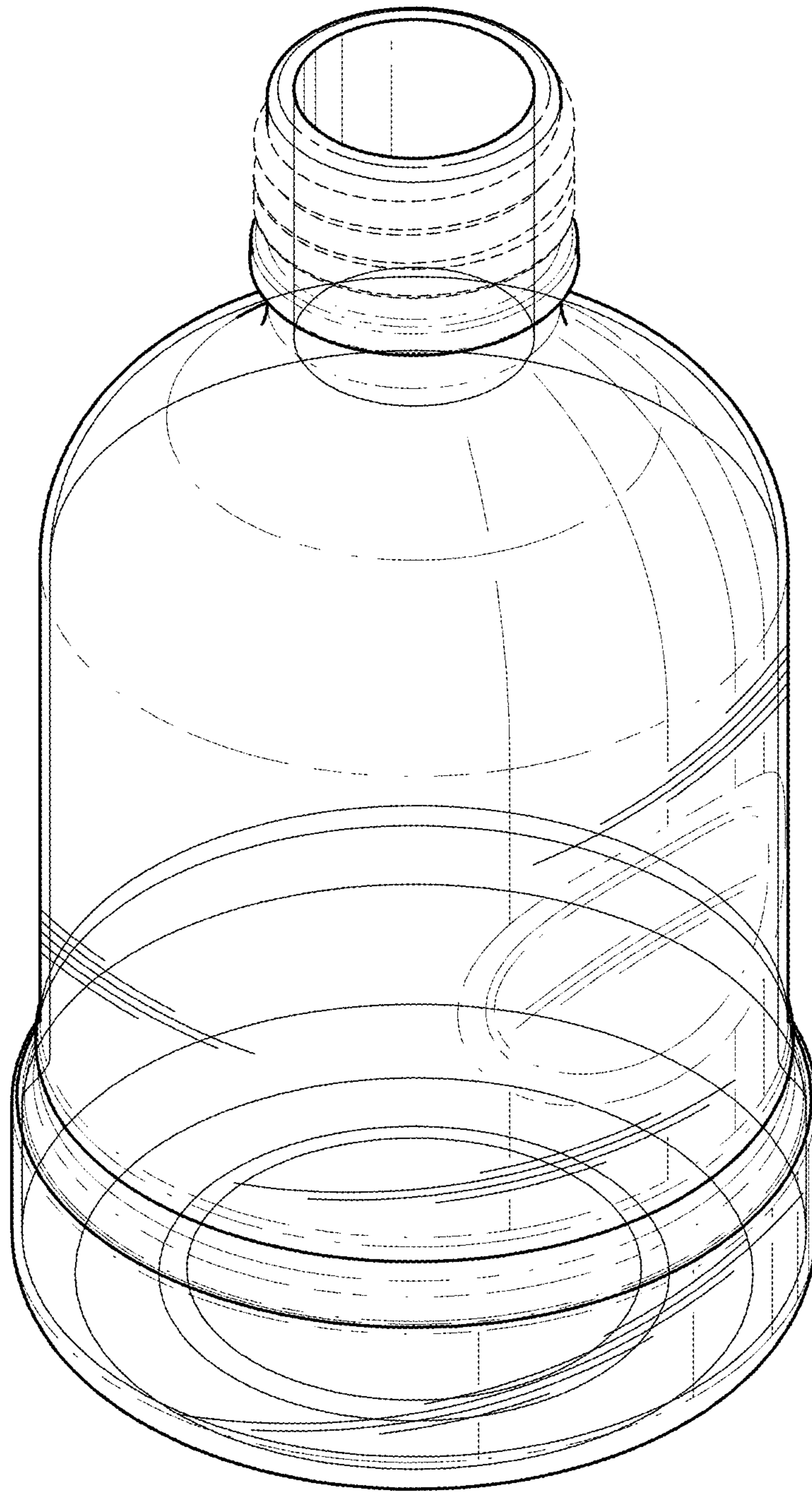
FIG. 6 is a top plan view of the bottle; and,

FIG. 7 is a bottom plan view of the bottle.

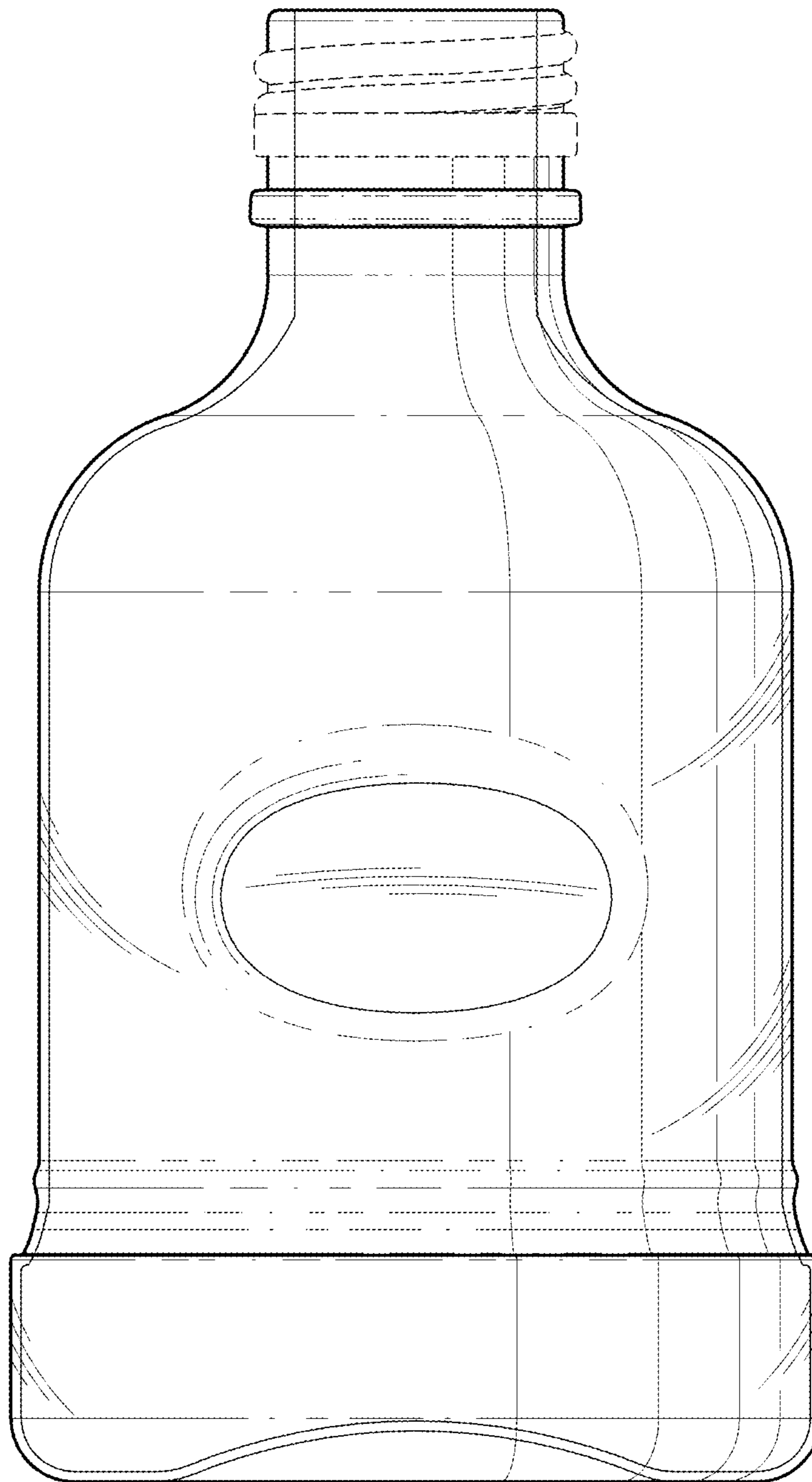
The broken lines shown in the drawings represent portions of the bottle that form no part of the claimed design.

**1 Claim, 7 Drawing Sheets**

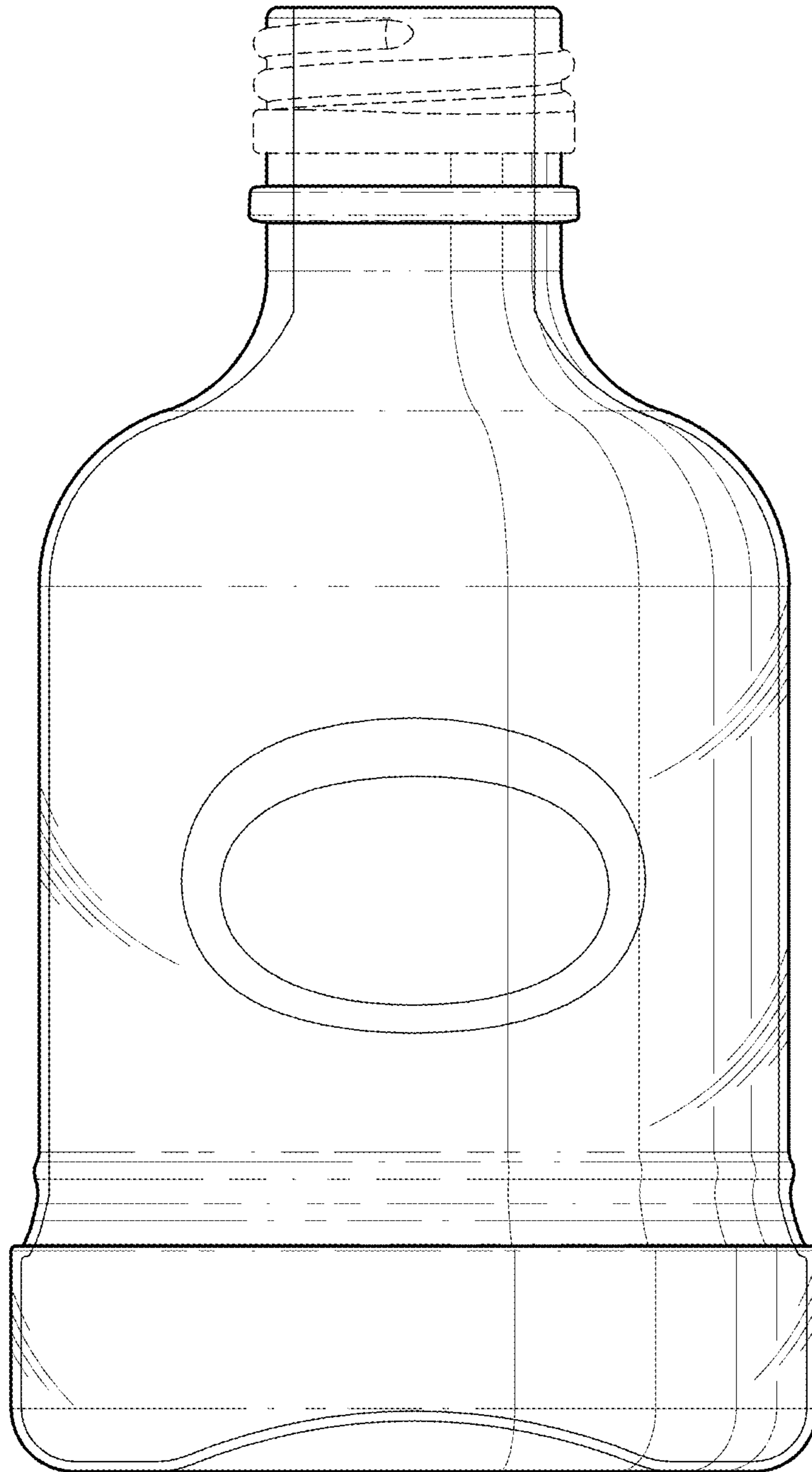




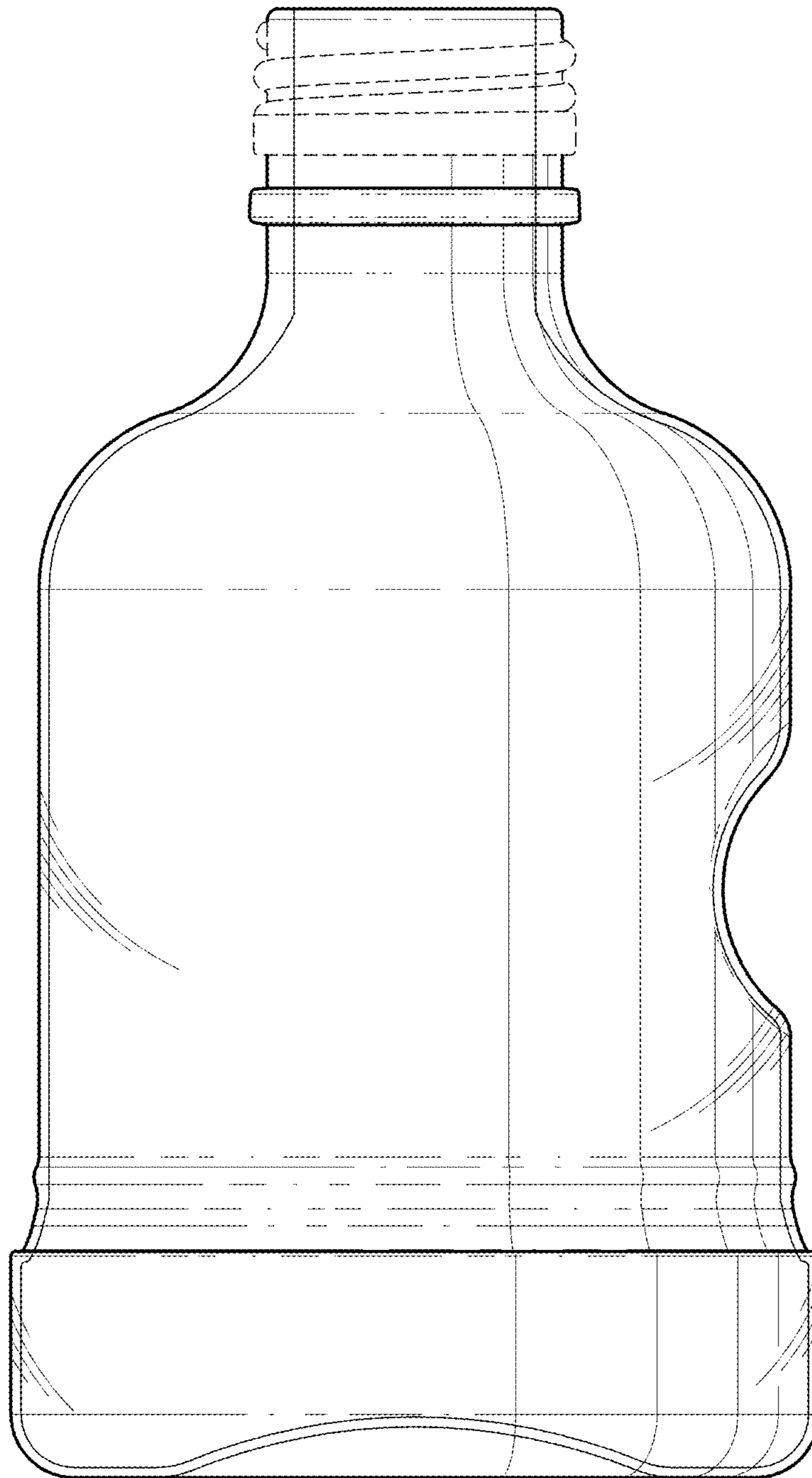
*FIG. 1*



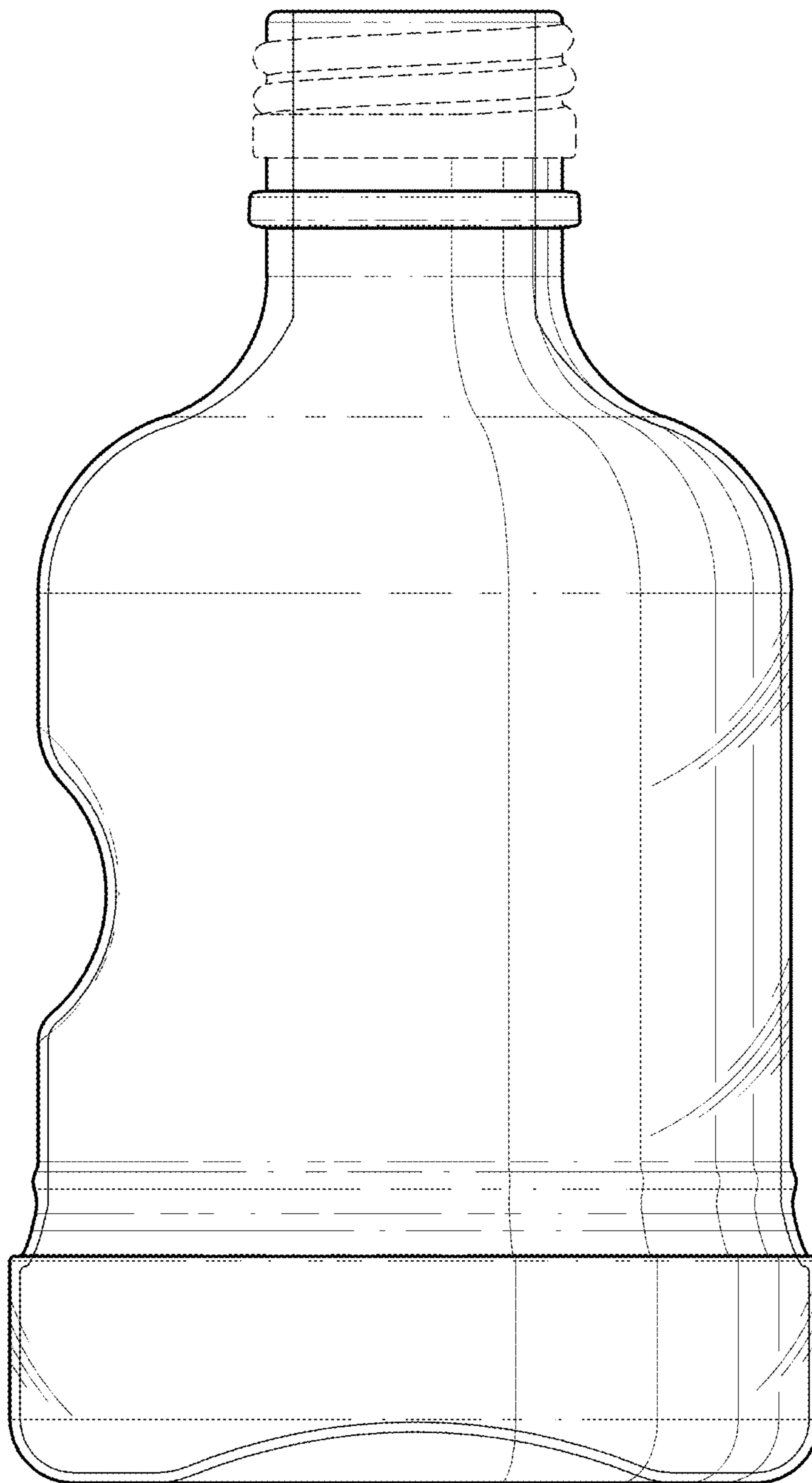
*FIG. 2*



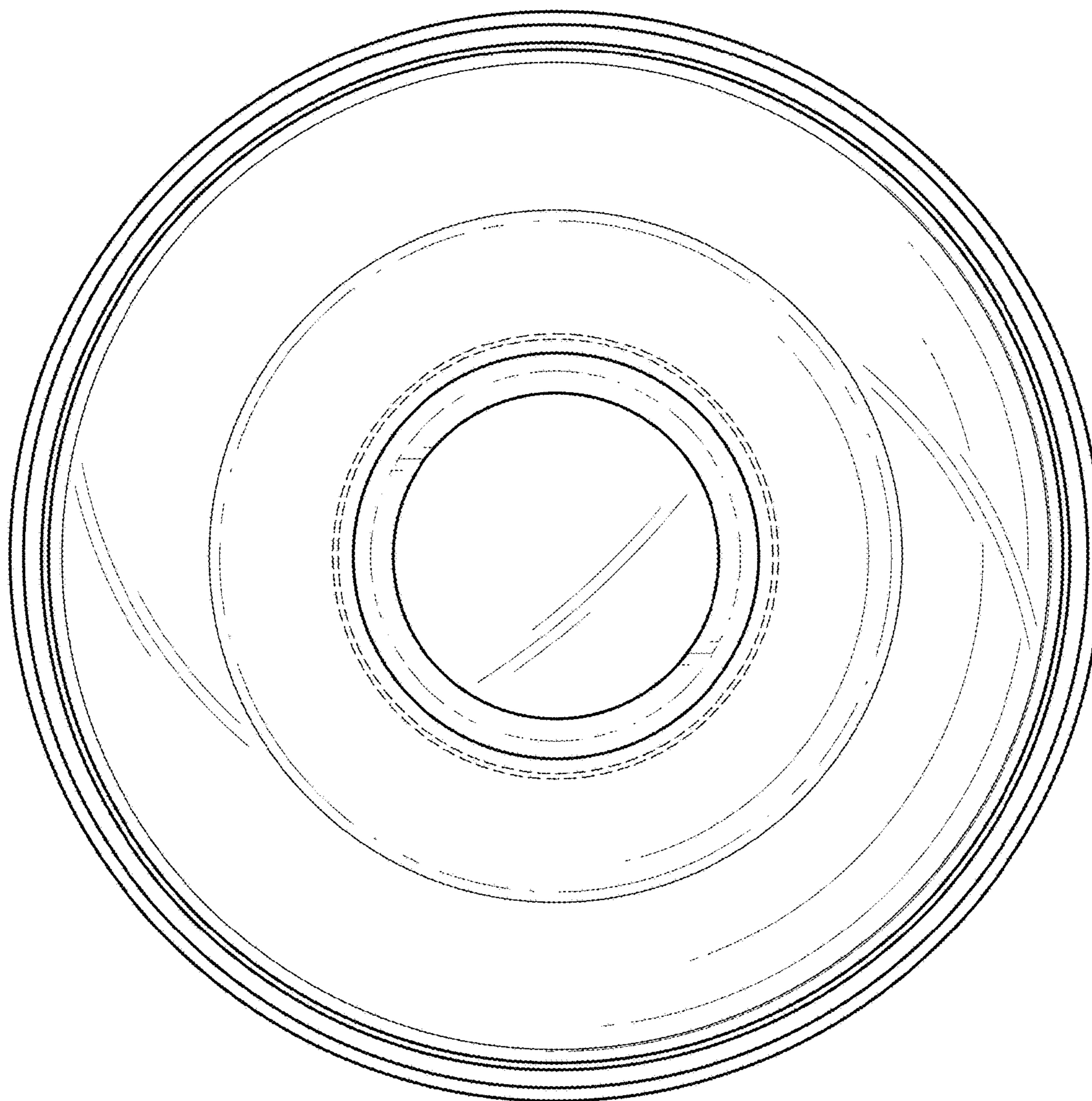
*FIG. 3*



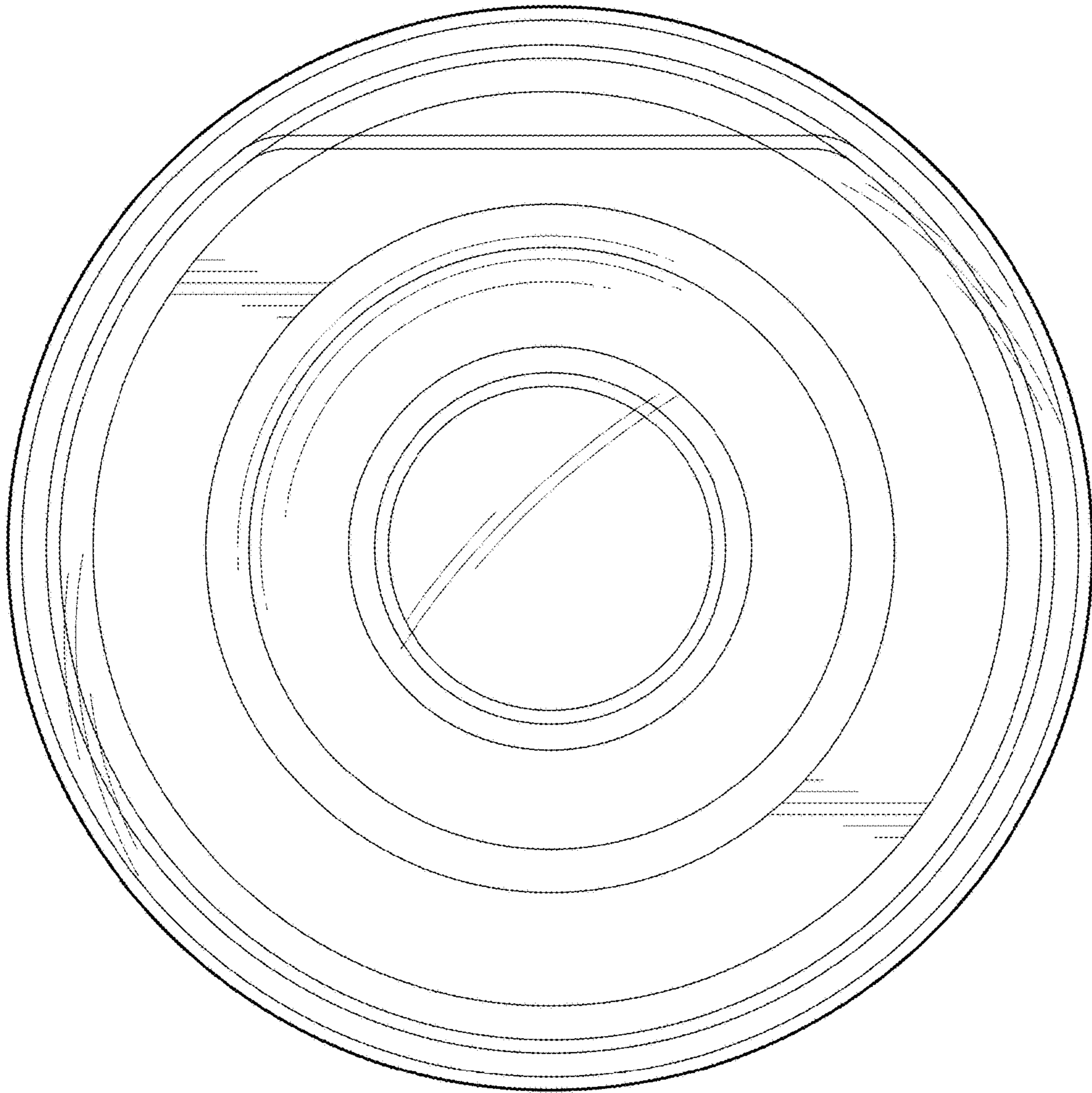
*FIG. 4*



*FIG. 5*



*FIG. 6*



*FIG. 7*