



US00D820679S

(12) **United States Design Patent** (10) **Patent No.:** **US D820,679 S**  
**Ali** (45) **Date of Patent:** **\*\* Jun. 19, 2018**

(54) **BOTTLE CAP ASSEMBLY**

(71) Applicant: **Ahmed Ali**, Clifton, NJ (US)  
 (72) Inventor: **Ahmed Ali**, Clifton, NJ (US)  
 (73) Assignee: **CARECAPS**, Franklin Lakes, NJ (US)  
 (\*\*) Term: **15 Years**  
 (21) Appl. No.: **29/586,044**

(22) Filed: **Nov. 30, 2016**  
 (51) **LOC (11) Cl.** ..... **09-07**  
 (52) **U.S. Cl.**  
 USPC ..... **D9/454**

(58) **Field of Classification Search**  
 USPC ..... D3/202; D7/300, 300.1, 313, 314, 316,  
 D7/387, 393, 396.1, 396.2, 392.2, 397,  
 D7/398, 401.1, 436, 509, 510, 511, 523,  
 D7/525, 526, 527, 528, 538, 602, 619.1,  
 D7/900; D9/434, 435, 436, 437, 438,  
 D9/440, 443, 447, 448, 449, 452, 453,  
 D9/454, 686, 688, 723, 724, 763, 772;  
 D24/121, 224; D28/76, 78, 82; D34/10,  
 D34/11  
 CPC ..... A47G 19/2205; A47G 19/2266; A47G  
 19/2272; A47G 19/2294; B65D 39/00;  
 B65D 39/0005; B65D 39/02; B65D  
 39/08; B65D 39/14; B65D 41/00; B65D  
 41/02; B65D 41/005; B65D 41/023;  
 B65D 41/026; B65D 41/0414; B65D  
 41/0421; B65D 41/0428; B65D 41/0476;  
 B65D 41/0485; B65D 41/0492; B65D  
 41/16; B65D 41/17; B65D 41/26; B65D  
 41/32; B65D 50/00; B65D 53/00; B65D  
 53/02; B65D 53/04; B65D 47/265; B65D  
 51/18; B65D 51/2821; B65D 51/2814;  
 B65D 51/28; B65D 2543/00046; B65D  
 2251/0018; B65D 2251/0081; B65D  
 2251/0026; B65D 2251/009; A47J 36/10;  
 A47J 36/14; A47J 36/26; A47J 43/27;  
 A61J 7/04

See application file for complete search history.

(56) **References Cited**

U.S. PATENT DOCUMENTS

579,474 A	3/1897	DeBarry
2,111,637 A	3/1938	Mehaffey
3,700,095 A	10/1972	Dangles
3,921,568 A	11/1975	Fish
4,041,628 A	8/1977	Sasson
4,148,273 A	4/1979	Hollingsworth et al.

(Continued)

FOREIGN PATENT DOCUMENTS

EP	2767484 A1 *	8/2014	.....	B65D 43/0212
WO	9821111	5/1998		

(Continued)

*Primary Examiner* — Jennifer Rivard  
*Assistant Examiner* — Catherine S Posthauer

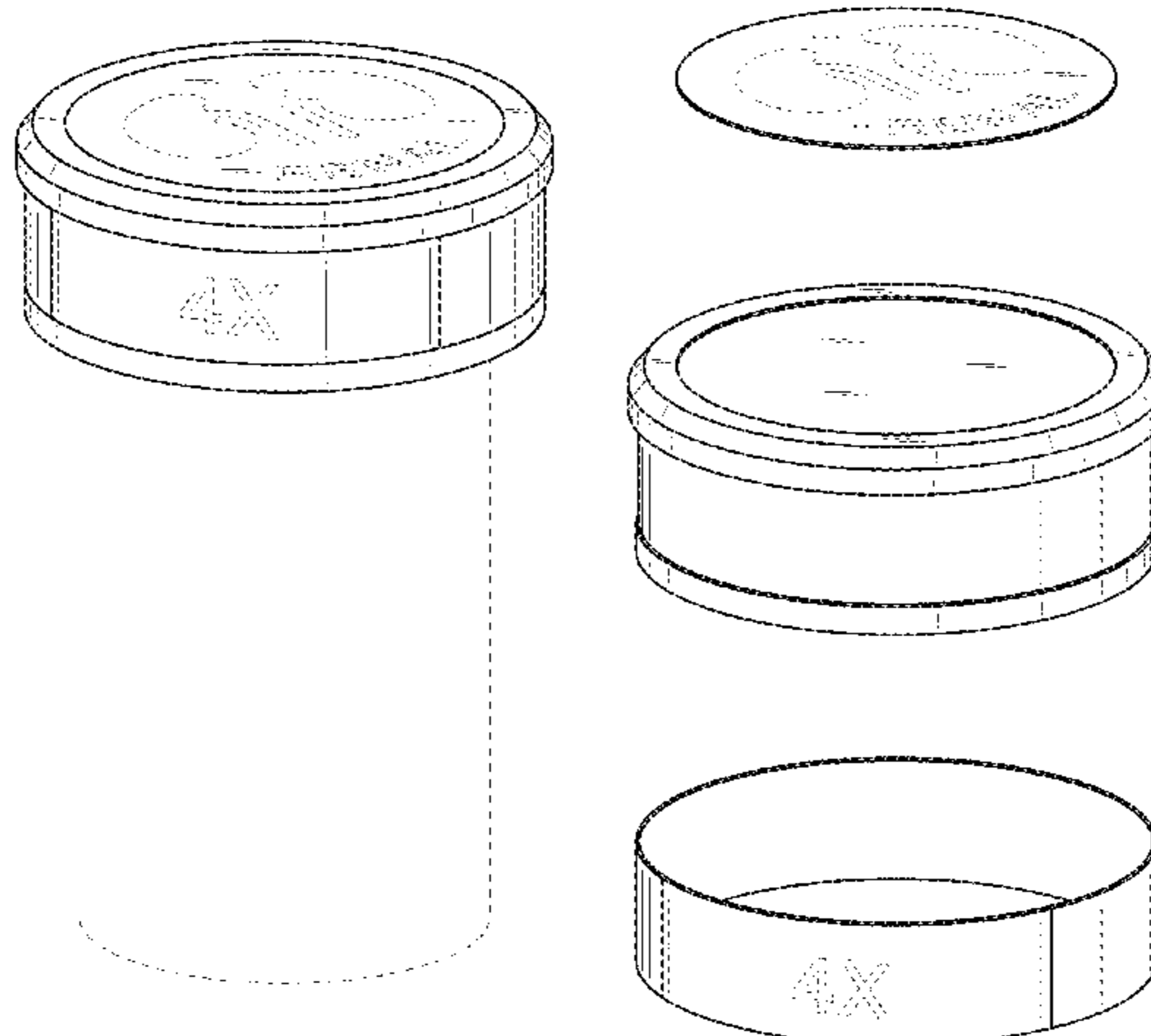
(57) **CLAIM**

The ornamental design for a bottle cap assembly, as shown and described herein.

**DESCRIPTION**

FIG. 1 is a perspective view of a bottle cap assembly showing my new design;  
 FIG. 2 is a front elevation view thereof;  
 FIG. 3 is a back elevation view thereof;  
 FIG. 4 is a right side elevation view thereof;  
 FIG. 5 is a left side elevation view thereof;  
 FIG. 6 is a top plan view thereof;  
 FIG. 7 is a bottom plan view thereof; and,  
 FIG. 8 is an exploded perspective view thereof.  
 The broken lines not on the bottle cap assembly are directed to the environment that form no part of the claimed design. The broken lines on the bottle cap assembly are directed to portions of the bottle cap assembly that form no part of the claimed design.

**1 Claim, 8 Drawing Sheets**



(56)

References Cited

U.S. PATENT DOCUMENTS

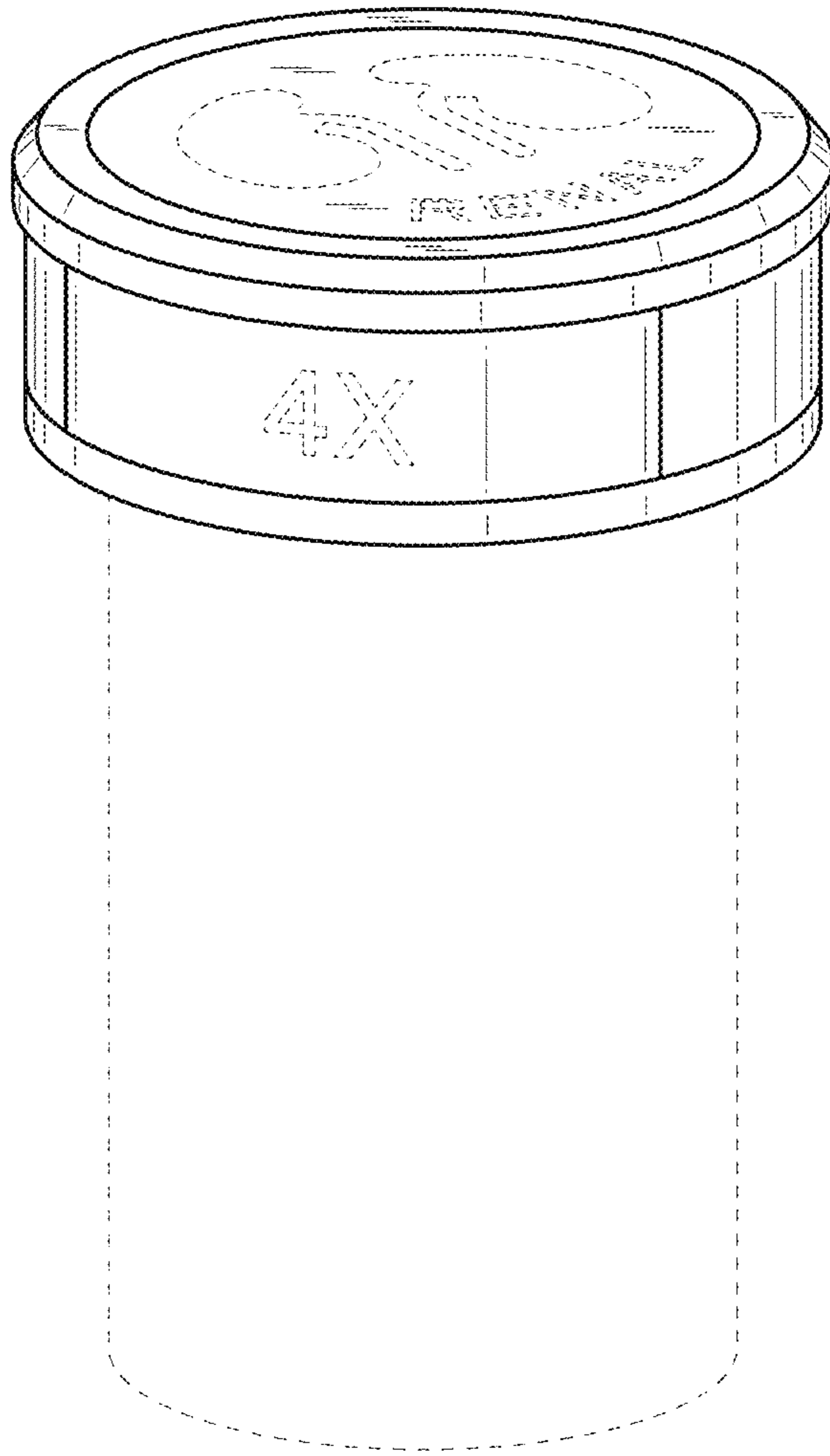
4,328,904 A 5/1982 Iverson  
 4,345,541 A 8/1982 Villa-Real  
 4,347,804 A 9/1982 Villa-Real  
 4,473,156 A 9/1984 Martin  
 4,883,180 A 11/1989 Humphrey et al.  
 4,884,717 A 12/1989 Bussard et al.  
 4,913,083 A 4/1990 Valvo et al.  
 4,960,254 A 10/1990 Hartke  
 5,009,338 A 4/1991 Barker  
 5,011,032 A 4/1991 Rollman  
 5,062,531 A 11/1991 Coy  
 5,261,702 A 11/1993 Mayfield  
 5,279,422 A 1/1994 Adams  
 5,358,117 A 10/1994 Adams  
 5,381,904 A 1/1995 Thurell  
 D367,818 S \* 3/1996 Zana ..... D9/454  
 5,577,335 A 11/1996 Tucker  
 5,660,138 A 8/1997 Hirsch  
 5,683,718 A 11/1997 Errigo  
 5,729,922 A 3/1998 Peterson et al.  
 5,730,292 A 3/1998 Jones  
 5,803,283 A 9/1998 Barker et al.  
 6,170,787 B1 1/2001 Morgan  
 D442,864 S \* 5/2001 Davies ..... D9/454  
 6,227,371 B1 5/2001 Song  
 6,545,592 B2 4/2003 Weiner  
 6,619,482 B1 9/2003 King  
 6,779,480 B2 8/2004 Zamjahn  
 D513,386 S \* 1/2006 Pace ..... D9/504  
 7,017,762 B2 3/2006 Shane  
 D526,564 S \* 8/2006 Slavin ..... D9/454  
 7,118,007 B1 10/2006 Yates et al.  
 7,137,528 B1 11/2006 Yates et al.  
 7,314,022 B2 1/2008 Sollaccio  
 D562,684 S \* 2/2008 Brashear ..... D9/454  
 7,369,919 B2 5/2008 Vonk et al.  
 D574,708 S \* 8/2008 Reed ..... D9/453  
 D584,152 S \* 1/2009 VerWeyst ..... D9/454  
 7,506,763 B2 3/2009 Hatcher  
 D593,858 S \* 6/2009 Kubicek ..... D9/454  
 7,556,151 B2 7/2009 Seijas  
 D597,840 S \* 8/2009 Biesecker ..... D9/454  
 D615,861 S \* 5/2010 Watts ..... D9/445  
 D628,894 S \* 12/2010 Pontes ..... D9/454  
 7,907,477 B2 3/2011 Puzia  
 D639,496 S \* 6/2011 Wada ..... D26/120  
 D639,497 S \* 6/2011 Ogawa ..... D26/120  
 7,956,727 B2 6/2011 Loncar  
 7,978,564 B2 7/2011 De La Huerga  
 8,056,724 B2 11/2011 Estep  
 D652,297 S \* 1/2012 Dunwoody ..... D9/435  
 D654,309 S \* 2/2012 Tiemann ..... D7/401.1  
 8,138,939 B2 3/2012 Manning et al.  
 8,193,918 B1 6/2012 Shavelsky et al.  
 8,201,691 B1 6/2012 Chowdhury  
 8,224,667 B1 7/2012 Miller et al.  
 8,302,798 B2 11/2012 Moss  
 8,336,917 B2 12/2012 Doiron

8,356,434 B2 1/2013 Alipour  
 8,391,104 B2 3/2013 de la Huerga  
 D682,107 S \* 5/2013 Ramsey ..... D9/452  
 8,456,287 B2 6/2013 Gifford et al.  
 8,538,775 B2 9/2013 Skomra  
 8,781,856 B2 7/2014 Hanina et al.  
 8,797,167 B2 8/2014 Banger et al.  
 D718,234 S \* 11/2014 Rautiainen ..... D13/108  
 D732,644 S \* 6/2015 Yamagishi ..... D23/261  
 D733,261 S \* 6/2015 Yamagishi ..... D23/259  
 D736,621 S \* 8/2015 Ivancic ..... D9/436  
 D751,902 S \* 3/2016 Sturk ..... D9/447  
 D756,222 S \* 5/2016 Lopez ..... D23/260  
 9,380,915 B2 7/2016 Sabounjian  
 D772,065 S \* 11/2016 Mataya ..... D9/436  
 D777,034 S \* 1/2017 Sill ..... D9/454  
 D789,217 S 6/2017 Antons  
 D790,041 S \* 6/2017 Jang ..... D23/259  
 D792,220 S \* 7/2017 Simons ..... D7/396.2  
 D793,231 S 8/2017 Langfelder et al.  
 D794,448 S \* 8/2017 Mataya ..... D9/436  
 2002/0162261 A1 11/2002 West et al.  
 2004/0216340 A1 11/2004 Woods et al.  
 2005/0150805 A1 \* 7/2005 Burchell ..... B65D 51/28  
 206/534  
 2006/0011372 A1 1/2006 Rodrigues et al.  
 2006/0154642 A1 7/2006 Scannell, Jr.  
 2007/0056503 A1 \* 3/2007 Sollaccio ..... G09F 11/23  
 116/308  
 2007/0158519 A1 7/2007 Coe et al.  
 2009/0090688 A1 4/2009 Fruchter  
 2009/0242452 A1 10/2009 Perry  
 2010/0038279 A1 2/2010 Estep  
 2010/0042430 A1 2/2010 Bartfeld  
 2010/0169111 A1 7/2010 Brue et al.  
 2010/0206766 A1 8/2010 Warman  
 2011/0101016 A1 5/2011 Luciano, Jr.  
 2011/0284415 A1 \* 11/2011 Balakier ..... A61J 7/04  
 206/459.1  
 2013/0096953 A1 4/2013 Beverly et al.  
 2014/0008319 A1 \* 1/2014 Buxton-Dakides ..... A61J 1/03  
 215/230  
 2014/0188502 A1 \* 7/2014 Defrank ..... G06F 19/3462  
 705/2  
 2015/0068947 A1 \* 3/2015 Balakier ..... A61J 7/04  
 206/534  
 2016/0073808 A1 \* 3/2016 Drogo ..... A47G 19/2272  
 220/713  
 2016/0088960 A1 \* 3/2016 Liang ..... A47G 19/2272  
 220/560.01  
 2016/0107796 A1 \* 4/2016 Sibley ..... B65B 29/00  
 206/213.1

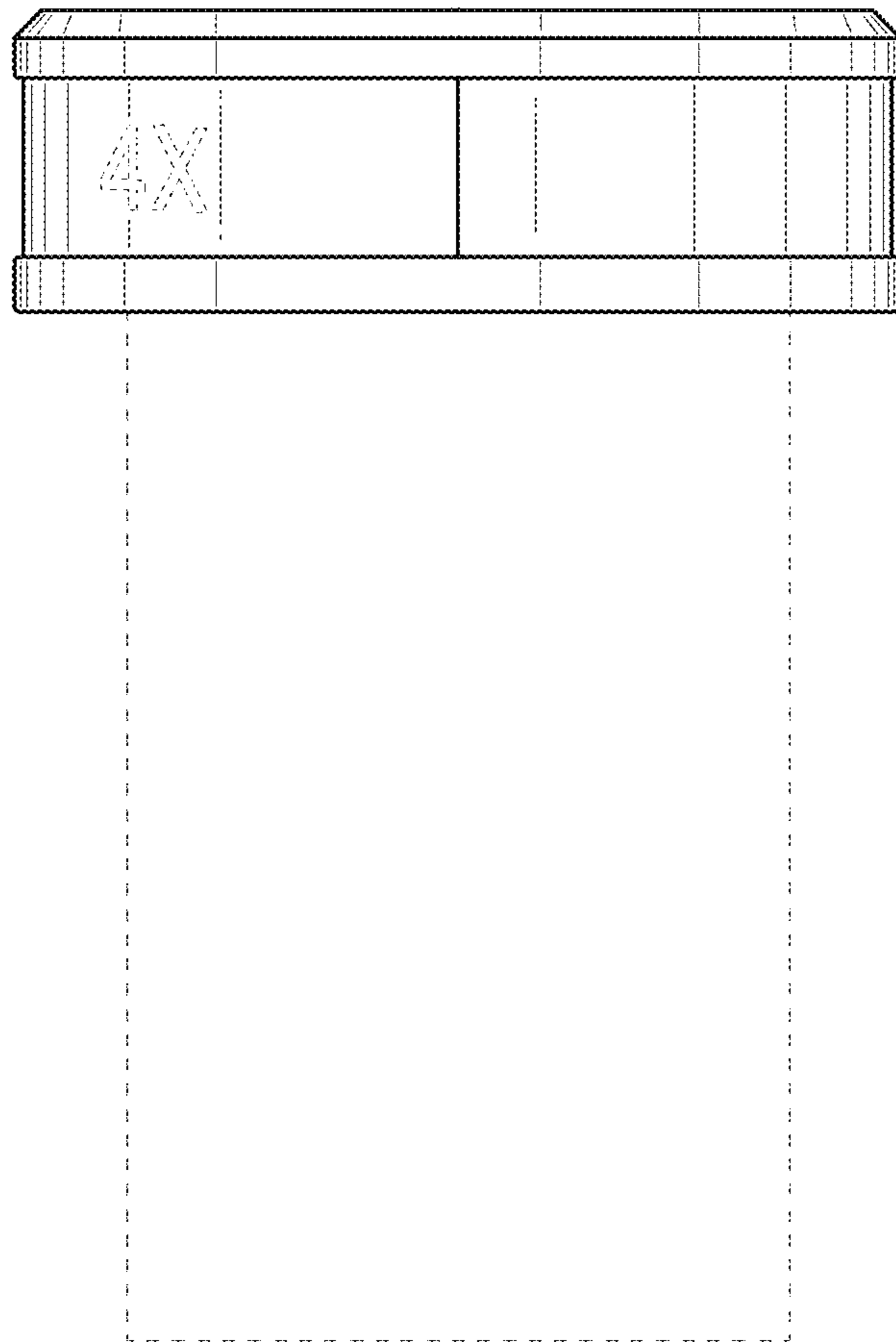
FOREIGN PATENT DOCUMENTS

WO WO-9821111 A1 \* 5/1998 ..... B65D 41/18  
 WO 2017040773 3/2017  
 WO WO-2017040773 A1 \* 3/2017 ..... A61J 1/03

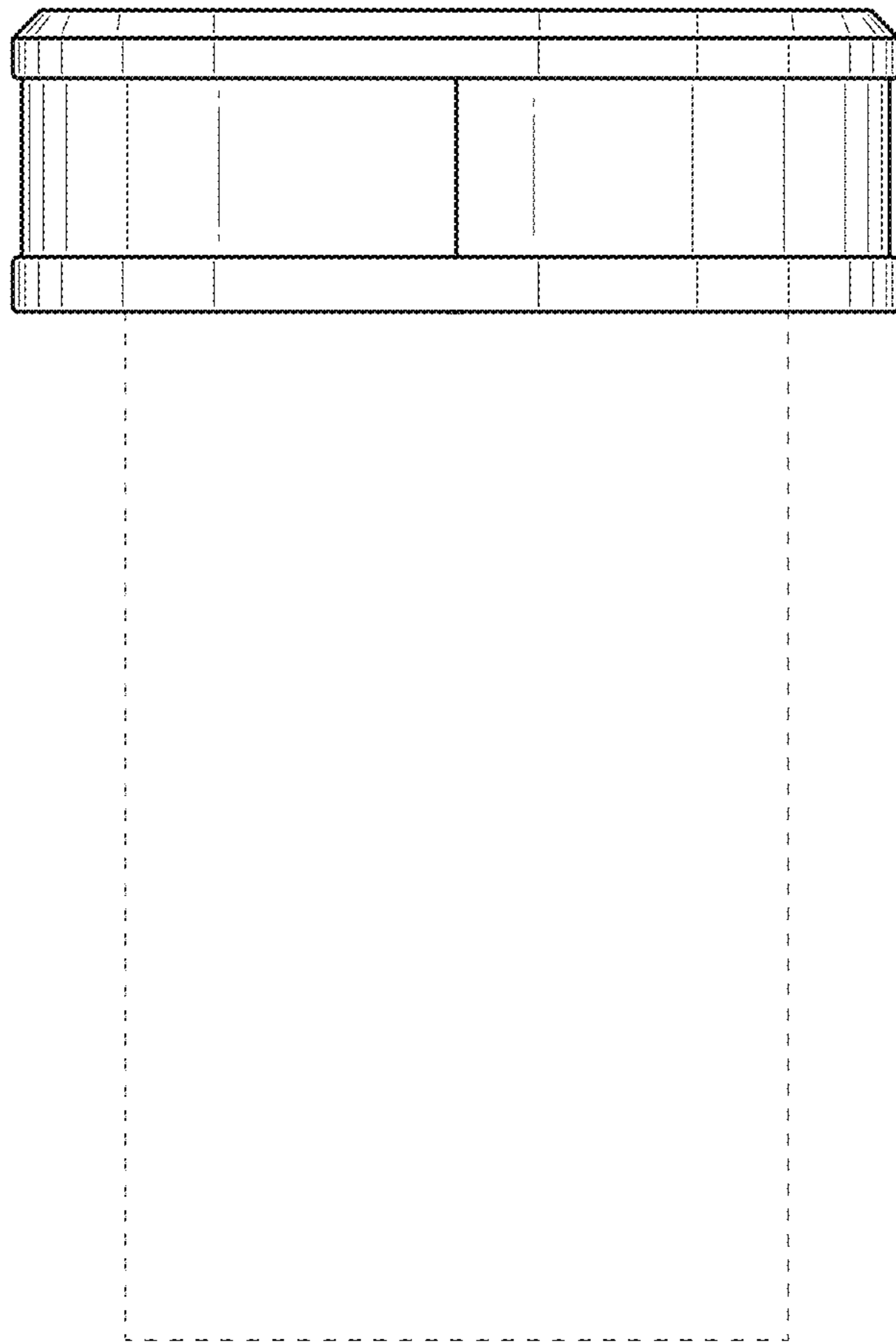
\* cited by examiner



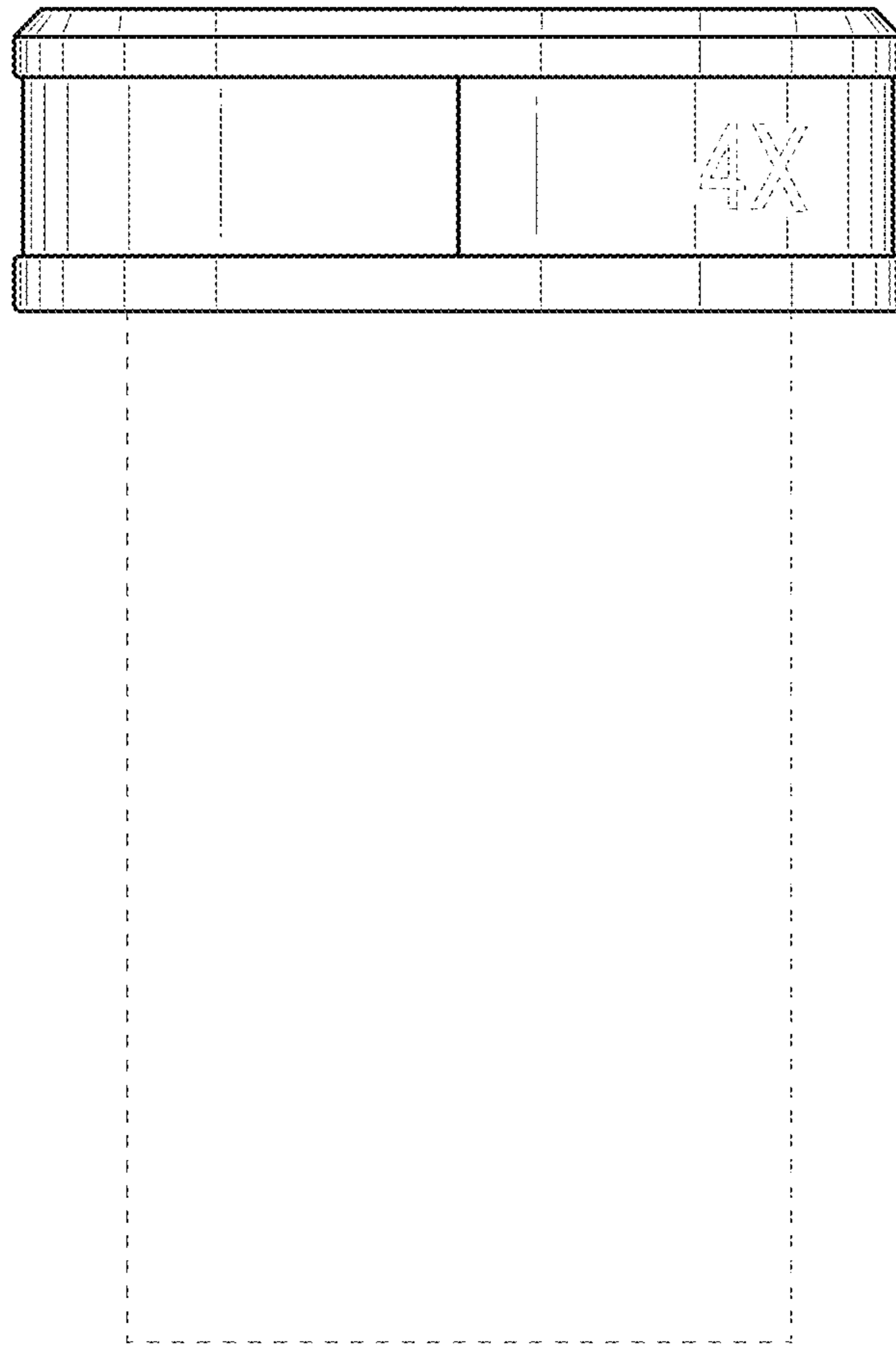
**Fig. 1**



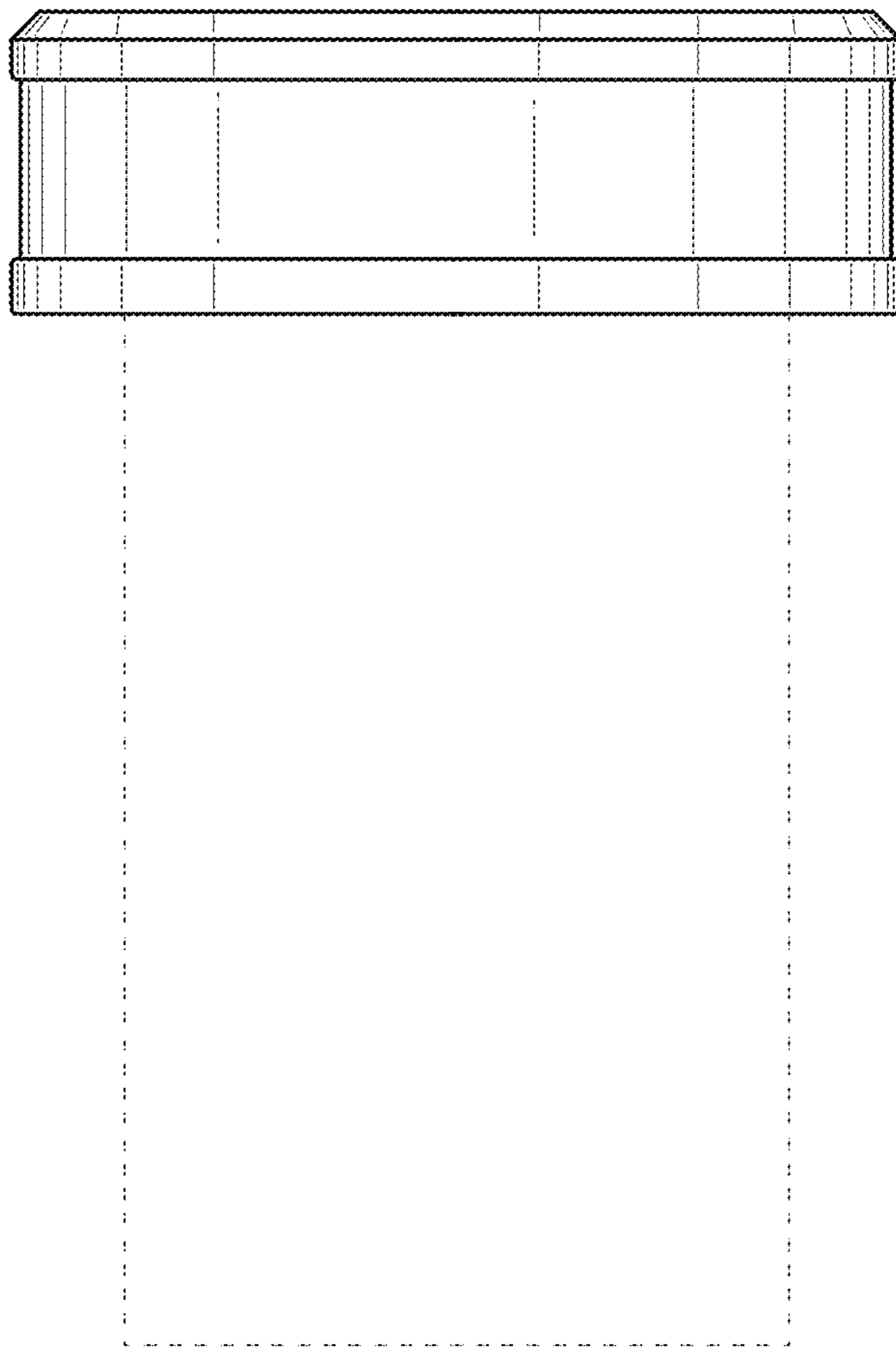
**Fig. 2**



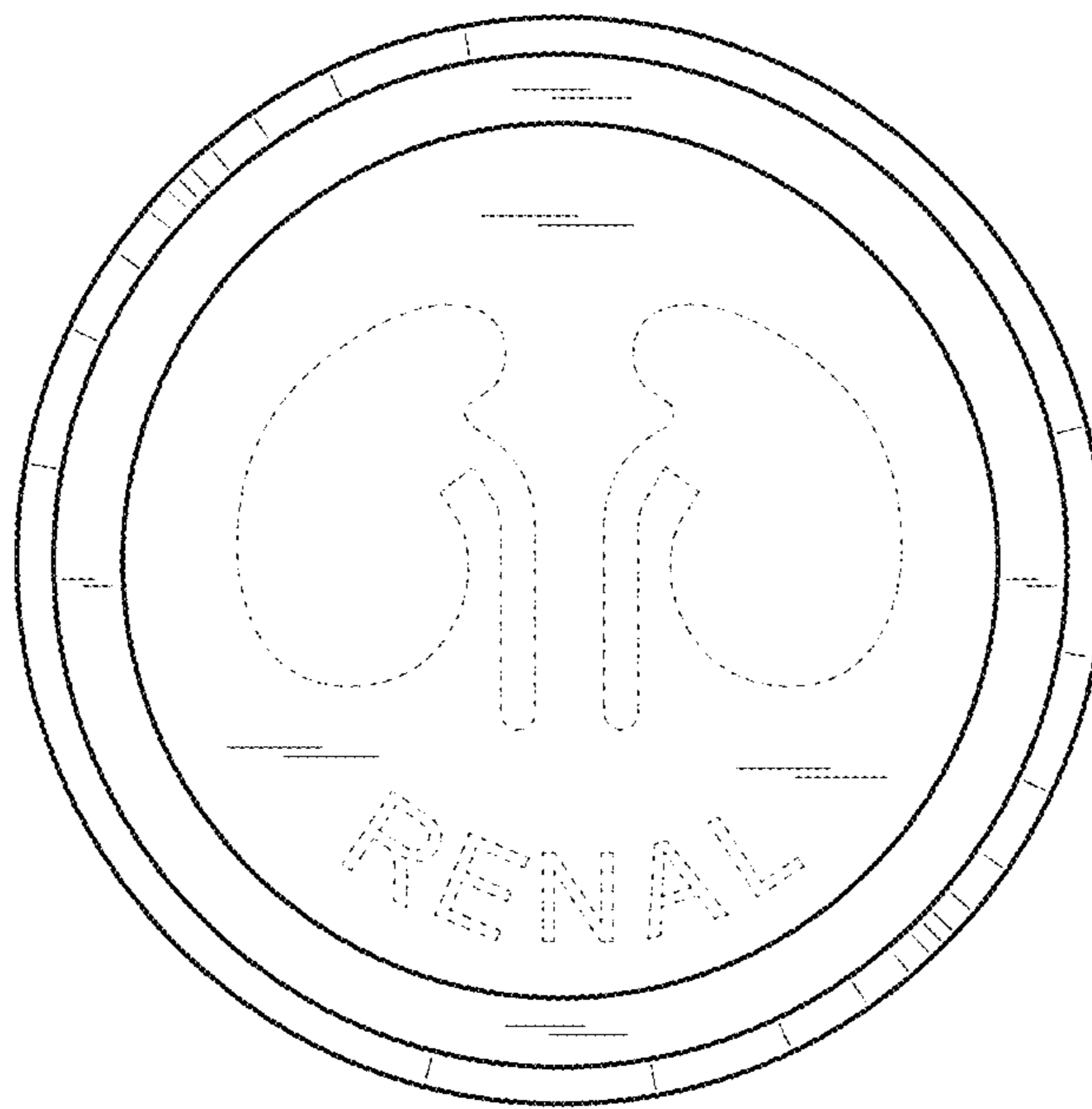
**Fig. 3**



**Fig. 4**

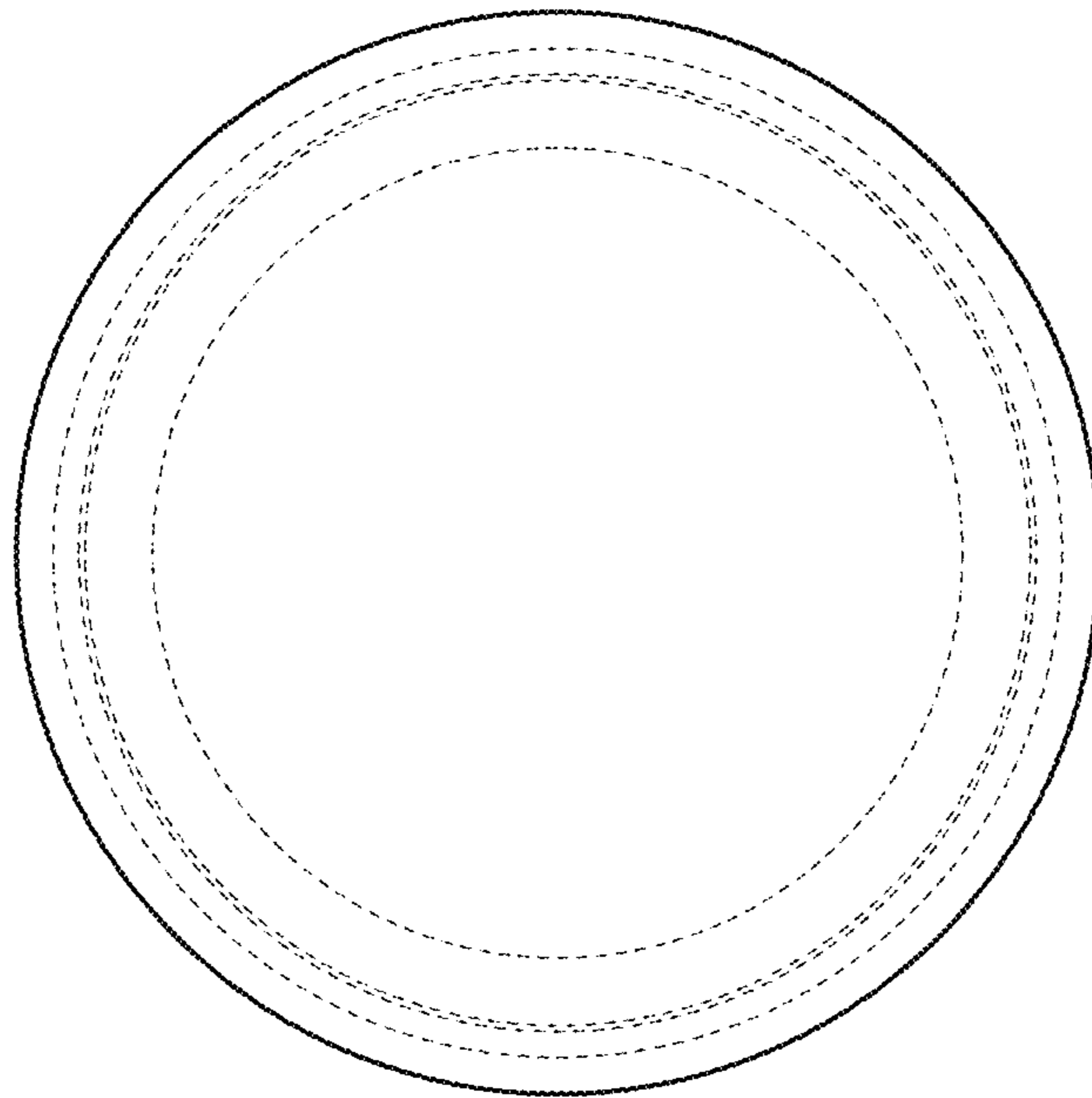


**Fig. 5**



**Fig. 6**





**Fig. 7**

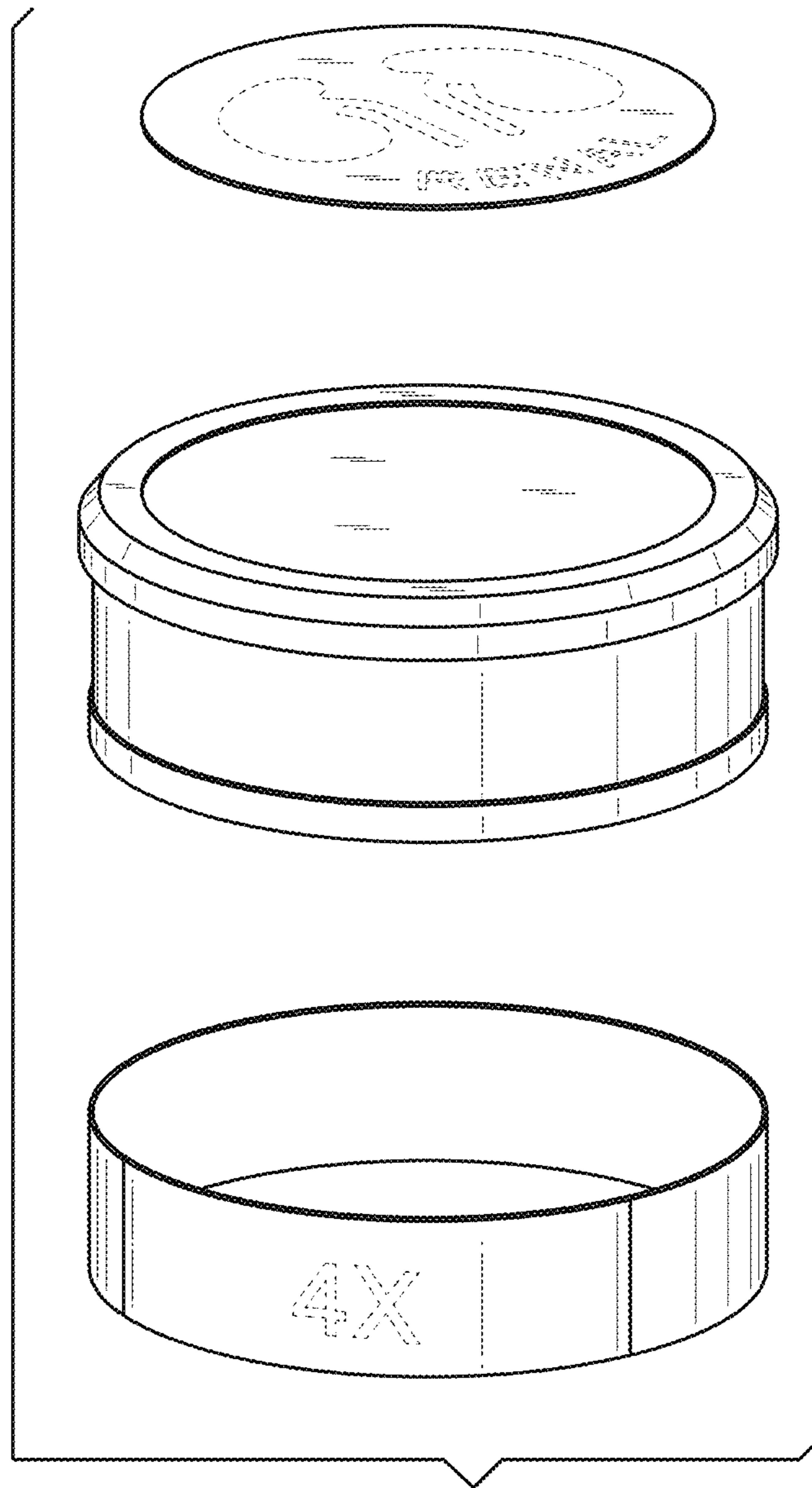


Fig. 8