



US00D820675S

(12) **United States Design Patent**
Burke et al.

(10) **Patent No.:** **US D820,675 S**
(45) **Date of Patent:** **** Jun. 19, 2018**

(54) **PACKAGE**

(71) Applicant: **Medline Industries, Inc.**, Northfield, IL (US)

(72) Inventors: **Damian Burke**, Lake Zurich, IL (US);
Mark Vanderhulst, Chicago, IL (US);
Emily Somers, Cary, IL (US)

(73) Assignee: **Medline Industries, Inc.**, Northfield, IL (US)

(**) Term: **15 Years**

(21) Appl. No.: **29/577,636**

(22) Filed: **Sep. 14, 2016**

(51) **LOC (11) Cl.** **09-03**

(52) **U.S. Cl.**
USPC **D9/432; D9/433**

(58) **Field of Classification Search**
USPC D9/414-434, 442-445, 456, 457, 542,
D9/563, 600, 614-624, 655, 657, 658,
D9/661, 685, 695, 697-699, 707, 708,
D9/711, 754, 759, 772-776; D3/273,
D3/276, 304, 305, 307, 309-313;
D7/601, 602, 709; D6/560, 653-655,
D6/662, 667, 705, 706; D19/75, 90
CPC B65D 5/00; B65D 5/001; B65D 5/0015;
B65D 5/0227-5/0254; B65D 5/18; B65D
5/38; B65D 5/40; B65D 5/6605; B65D
5/48024; B65D 1/22; B65D 1/24; B65D
1/34; B65B 5/06

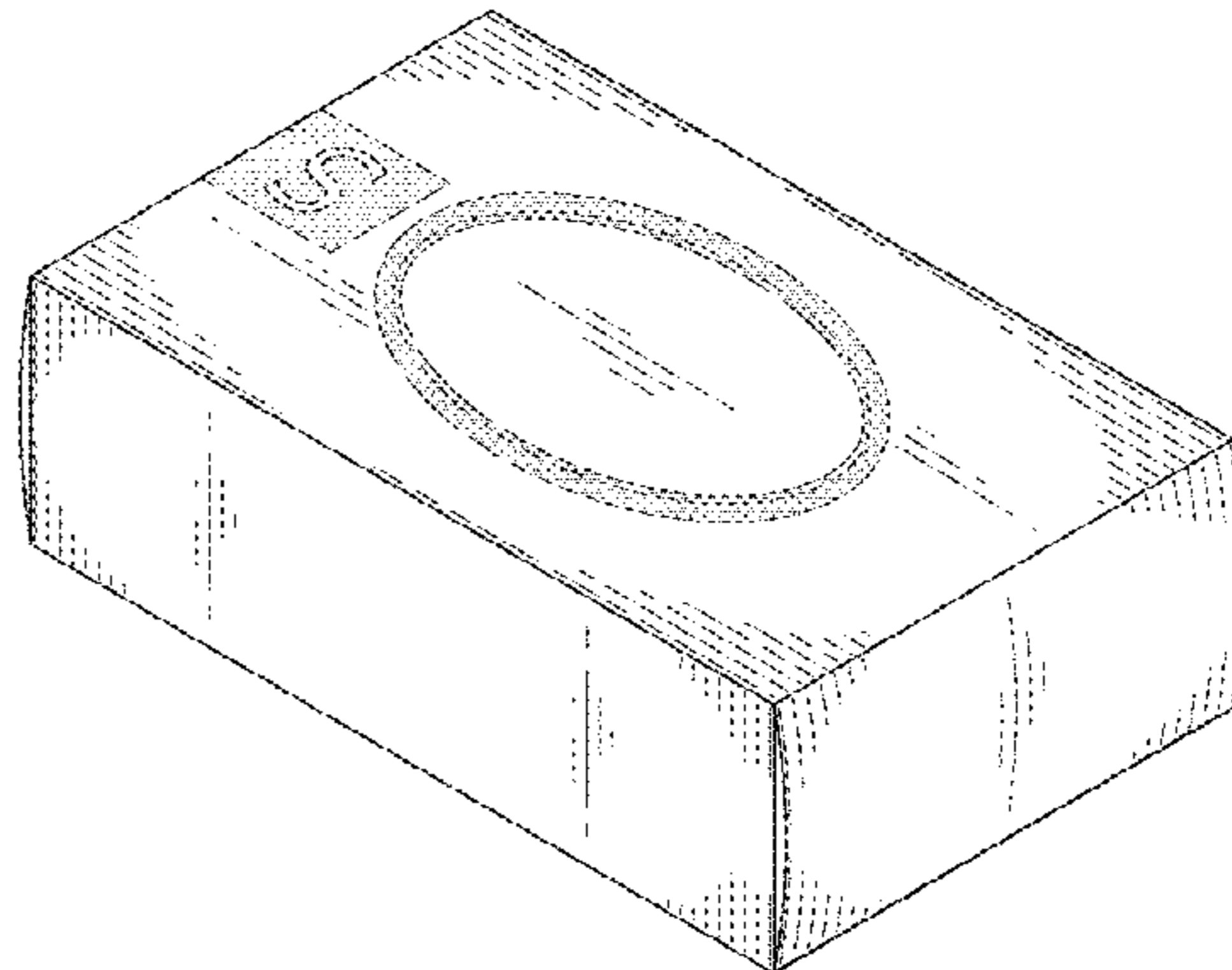
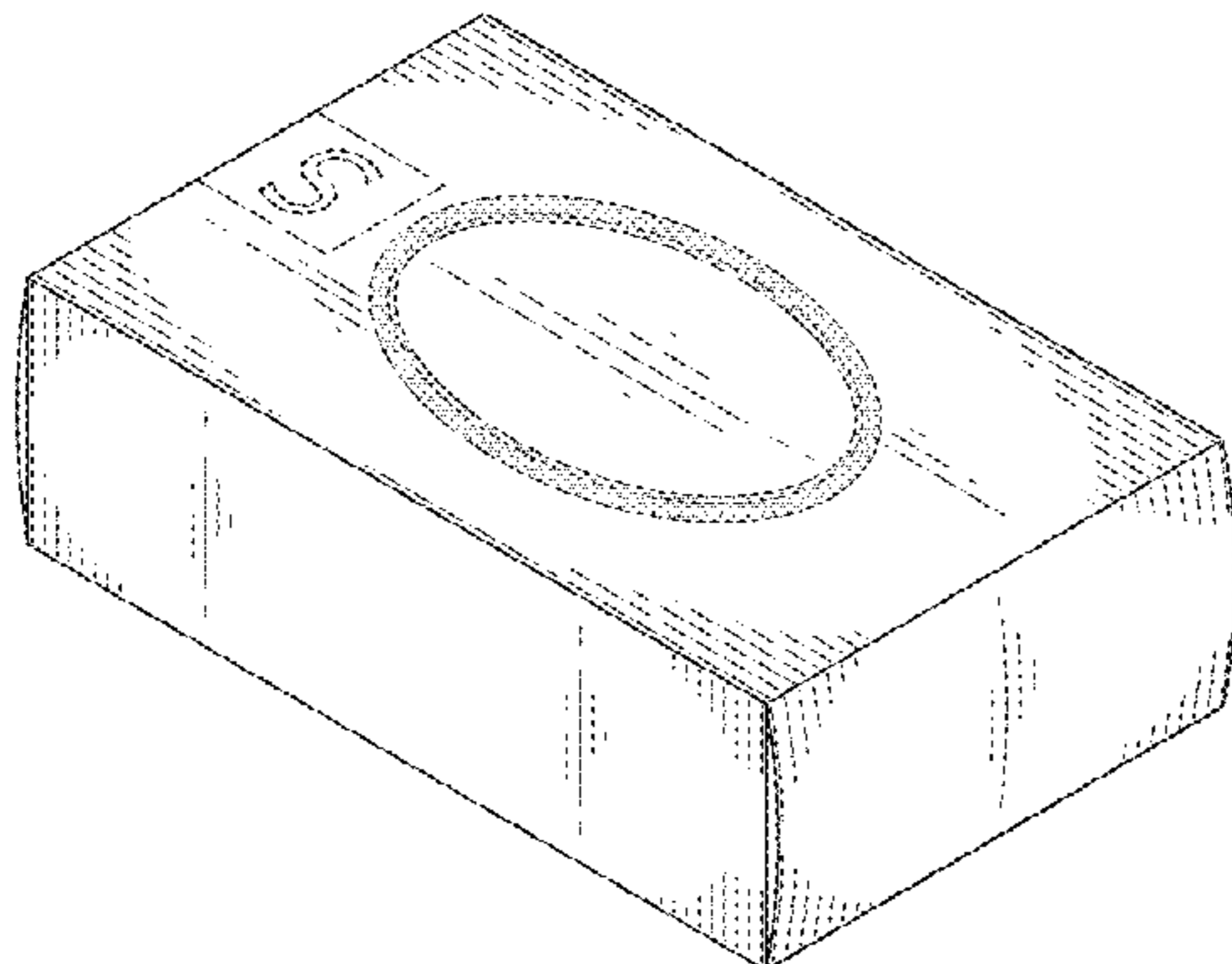
See application file for complete search history.

(56) **References Cited**

U.S. PATENT DOCUMENTS

3,071,882 A 1/1963 Eisman
3,790,064 A 2/1974 Kramer
3,790,069 A 2/1974 Straccamore
3,792,810 A 2/1974 Tingley
4,199,097 A 4/1980 Christensson
4,200,200 A * 4/1980 Hein, III A47K 10/421
221/48

D256,437 S 8/1980 Faller
D267,476 S 1/1983 Boedeker
RE33,979 E 6/1992 Cortopassi
D385,743 S 11/1997 Eldridge
D417,077 S * 11/1999 Sheu D3/294
D423,359 S 4/2000 MacLean
D423,772 S * 5/2000 Cooper D3/201
D429,437 S 8/2000 Valenti
D453,876 S 2/2002 Moor
D456,652 S 5/2002 Smith
D465,364 S 11/2002 Childs
D466,807 S 12/2002 Buck
D476,764 S 7/2003 Khovaylo
6,681,983 B2 1/2004 Bill-Moore
D488,298 S 4/2004 Freeman
6,766,919 B2 * 7/2004 Huang B65D 83/0805
206/210
D504,314 S 4/2005 Kim
D531,801 S 11/2006 Sakaguchi
D536,130 S * 1/2007 Jekel D28/8.1
D552,428 S 10/2007 Zeiron
D553,977 S 10/2007 Shiiya
D553,978 S 10/2007 Shiiya
D563,219 S 3/2008 Okin
D587,998 S 3/2009 Kaisanlahti
D603,270 S 11/2009 Kusumi
D608,660 S 1/2010 Mau
D610,447 S 2/2010 Seum
D611,545 S 3/2010 Williams
D615,078 S * 5/2010 Bradley D14/250
D617,127 S 6/2010 Wang
D619,015 S 7/2010 Kusumi
D619,098 S 7/2010 Mike
D622,590 S 8/2010 Tayama
D632,172 S 2/2011 Harvey
D635,454 S 4/2011 Witte
D637,497 S 5/2011 Lee
8,006,893 B2 8/2011 Burke
D644,979 S 9/2011 Wenrick
D647,791 S 11/2011 Schmitt
D649,040 S 11/2011 Sanders
D651,831 S 1/2012 Becherer
D651,908 S 1/2012 Boyer
D651,914 S 1/2012 Boyer
D652,295 S 1/2012 Hipperson
D652,311 S 1/2012 Boyer
D653,854 S 2/2012 Chamberlain
D655,189 S 3/2012 Boyer
D656,406 S 3/2012 Boyer
D656,836 S 4/2012 Boyer
D658,610 S 5/2012 Bang
D663,198 S 7/2012 White
D671,421 S 11/2012 Lee



| | | | |
|-----------------|-----------|------------|---------|
| D678,760 S | 3/2013 | Cooper | |
| D678,762 S | 3/2013 | Cooper | |
| D678,778 S | 3/2013 | Lee | |
| D679,582 S | 4/2013 | Witte | |
| D680,859 S | 4/2013 | Levy | |
| D683,630 S | 6/2013 | Lee | |
| D686,505 S | 7/2013 | Uemura | |
| D687,706 S | 8/2013 | Akana | |
| D688,560 S | 8/2013 | Kwon | |
| D692,180 S | * 10/2013 | Dietvorst | D28/8.1 |
| D693,678 S | 11/2013 | Kanchan | |
| 8,646,653 B2 | 2/2014 | Lien | |
| D702,765 S | 4/2014 | Williams | |
| D706,129 S | 6/2014 | Boraczek | |
| D706,627 S | 6/2014 | Olsson | |
| D706,628 S | 6/2014 | Palmer | |
| D706,640 S | 6/2014 | Lee | |
| D708,069 S | * 7/2014 | Park | D9/432 |
| D709,364 S | 7/2014 | Olsson | |
| D709,953 S | 7/2014 | Williams | |
| D711,601 S | 8/2014 | Robbins | |
| D712,737 S | 9/2014 | Gotur | |
| 8,881,903 B2 | 11/2014 | Vulgamott | |
| D719,462 S | 12/2014 | Kanda | |
| D741,710 S | 10/2015 | Katopo | |
| D742,243 S | 11/2015 | Allen | |
| D749,414 S | 2/2016 | Choi | |
| D749,962 S | 2/2016 | Gorbatiuk | |
| D753,487 S | 4/2016 | Wells | |
| D753,871 S | 4/2016 | Aspgren | |
| D755,910 S | 5/2016 | Randazzo | |
| D760,072 S | 6/2016 | Lutz | |
| D760,434 S | * 6/2016 | Schmaelzle | D28/8.1 |
| D768,481 S | 10/2016 | Gagliardo | |
| D770,299 S | 11/2016 | Andrews | |
| D776,457 S | 1/2017 | Palmer | |
| D777,468 S | 1/2017 | Currier | |
| D778,729 S | 2/2017 | Spenceman | |
| D781,701 S | 3/2017 | Brody | |
| D787,320 S | 5/2017 | Gill | |
| D789,785 S | 6/2017 | Fujiwara | |
| D793,229 S | 8/2017 | Meneaud | |
| D796,562 S | * 9/2017 | Iu | D15/138 |
| D804,943 S | 12/2017 | Richmond | |
| 2005/0056690 A1 | 3/2005 | Clapper | |
| 2006/0102706 A1 | 5/2006 | Spivey | |
| 2006/0131370 A1 | 6/2006 | Bates | |
| 2007/0210096 A1 | 9/2007 | Ellswood | |
| 2014/0020700 A1 | 1/2014 | Park | |
| 2017/0073102 A1 | 3/2017 | Borasi | |

FOREIGN PATENT DOCUMENTS

| | | |
|----|---------------|--------|
| CA | 2132425 C | 1/2000 |
| KR | 3020060006367 | 2/2006 |

OTHER PUBLICATIONS

Household Tissue Boxes Paper Storage Box Tissue Box Holder. Online, published date unknown. Retrieved on Sep. 26, 2017 from URL: https://www.amazon.com/Household-Tissue-Boxes-Storage-Holder/dp/B01L1K9Y36/ref=sr_1_11?ie=UTF8&qid=1506446688&sr=8-11&keywords=mirrored+tissue+box+cover.*

Kleenex 21606CT White Facial Tissue. Online, published date unknown. Retrieved on Aug. 9, 2017 from URL: https://www.amazon.com/Kleenex-21606CT-Facial-Tissue-Pop-Up/dp/B0040ZOF2U/ref=pd_sim_328_1?encoding=UTF8&pd_rd_i=30040ZOF2U&pd_rd_r=1_PYH02PEVDBTT5RCQ4KB&pd_rd_w=vISal&pd_rd_wg=gFq5l&psc=1&refRID=1PYH02PEVDBTT5RC.

White Shabby Chic Vintage Roses Paper Napkin Box. Online, published date unknown. Retrieved on Aug. 9, 2017 from URL: <https://lphandmade.com/en/shop/for-home-and-interior/white-shabby-chic-vintage-roses-paper-napkin-box/#.WYuQZP7rtmM>.

Hale 275 Facial Tissue and Hygienic Glove Dispenser; Hale Manufacturing; product information from <http://www.haleman.co.nz/facialtissueandhygienicglovedispensers/>, publicly available at least as of Jul. 20, 2016.

Photo of Halyard Sterling SG Sensi-Guard Nitrile Exam Gloves, publicly available at least as of Jul. 20, 2016.

Photo of MediChoice® Large Nitrile Exam Gloves (box includes blue ink), publicly available at least as of May 5, 2016.

Photo-1 of MediChoice® Medium Nitrile Exam Gloves (box includes blue ink), publicly available at least as of May 5, 2016.

Photo of MediChoice® Small Latex Gloves (box includes blue ink), publicly available at least as of May 5, 2016.

Photo of MediChoice® X-Small Nitrile Exam Gloves (box includes blue ink), publicly available at least as of May 5, 2016.

Photo of MediChoice® X-Large Nitrile Exam Gloves (box includes green ink), publicly available at least as of May 5, 2016.

Photo of MediChoice® Small Stretch Vinyl Nitrile Exam Gloves (box includes green ink), publicly available at least as of May 5, 2016.

Photo-2 of MediChoice® Medium Nitrile Exam Gloves (box includes blue ink), publicly available at least as of May 5, 2016.

Photo-3 of MediChoice® Medium Nitrile Exam Gloves (box includes blue ink), publicly available at least as of May 5, 2016.

Photo of MediChoice® Large Vinyl Nitrile Exam Gloves (box includes orange ink), publicly available at least as of May 5, 2016.

Photo of MediChoice® Medium Latex Gloves (box includes purple ink), publicly available at least as of May 5, 2016.

Surface-Mounted Stainless Steel Tissue Dispenser, Model 987-11; Bradley Corporation; product information from <http://bradleycorp.com/accessories/specialty/hospitality/tissue-dispenser/>, publicly available at least as of Jul. 20, 2016.

* cited by examiner

Primary Examiner — Garth Rademaker

Assistant Examiner — Omeed Agilee

(74) Attorney, Agent, or Firm — Fitch, Even, Tabin & Flannery LLP

(57) CLAIM

The ornamental design for a package, as shown and described.

DESCRIPTION

FIG. 1 is a top plan view of a package in accordance with a first embodiment in an unassembled blank configuration, showing our new design;

FIG. 2 is a perspective view thereof in an assembled configuration;

FIG. 3 is a top plan view thereof;

FIG. 4 is a bottom plan view thereof;

FIG. 5 is a front elevation view thereof;

FIG. 6 is a rear elevation view thereof;

FIG. 7 is a left side elevation view thereof;

FIG. 8 is a right side elevation view thereof;

FIG. 9 is a top plan view of a package in accordance with a second embodiment in an unassembled blank configuration;

FIG. 10 is a perspective view thereof in an assembled configuration;

FIG. 11 is a top plan view thereof;

FIG. 12 is a bottom plan view thereof;

FIG. 13 is a front elevation view thereof;

FIG. 14 is a rear elevation view thereof;

FIG. 15 is a left side elevation view thereof;

FIG. 16 is a right side elevation view thereof;

FIG. 17 is a perspective view thereof with the oval portion bounded by perforations removed to reveal the contents of the package;

FIG. 18 is a top plan view thereof;

FIG. 19 is a bottom plan view thereof;

FIG. 20 is a front elevation view thereof;
FIG. 21 is a rear elevation view thereof;
FIG. 22 is a left side elevation view thereof; and,
FIG. 23 is a right side elevation view thereof.

The smaller, lighter dashed lines in the shape of an oval in FIGS. 1-3, 9-11, 17, and 18 represent perforations and are part of the claimed design. The longer, darker dashed lines in the shape of package contents shown in FIGS. 17, 18, and 20-23 and letter "S" shown in FIGS. 1-3, 9-11, 17, and 18 represent environmental subject matter and do not form part of the claimed design.

The surface stippling in FIGS. 1-3, 9-11, 17, and 18 represents a contrast in appearance relative to non-stippled areas.

1 Claim, 23 Drawing Sheets

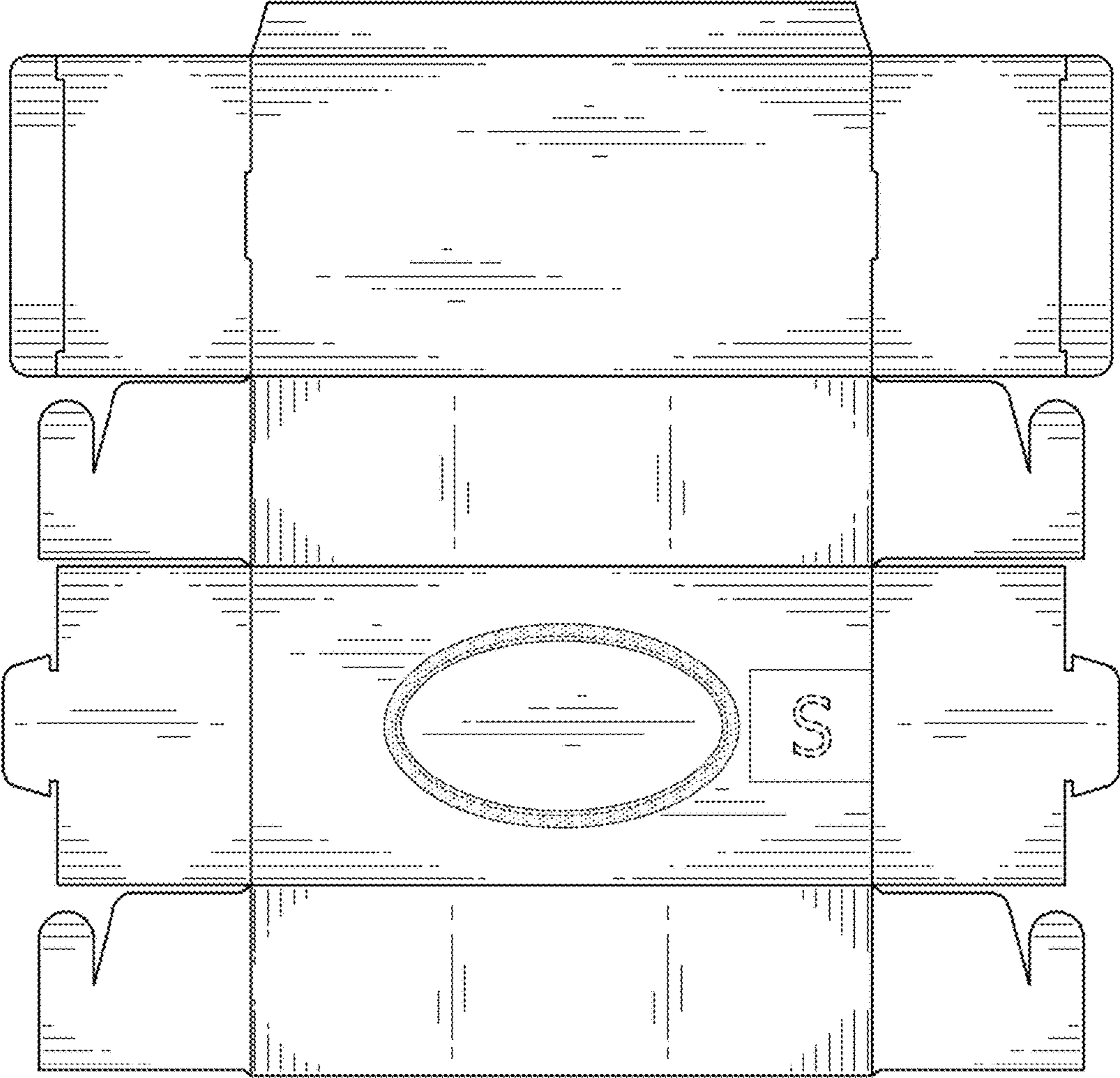


FIG. 1

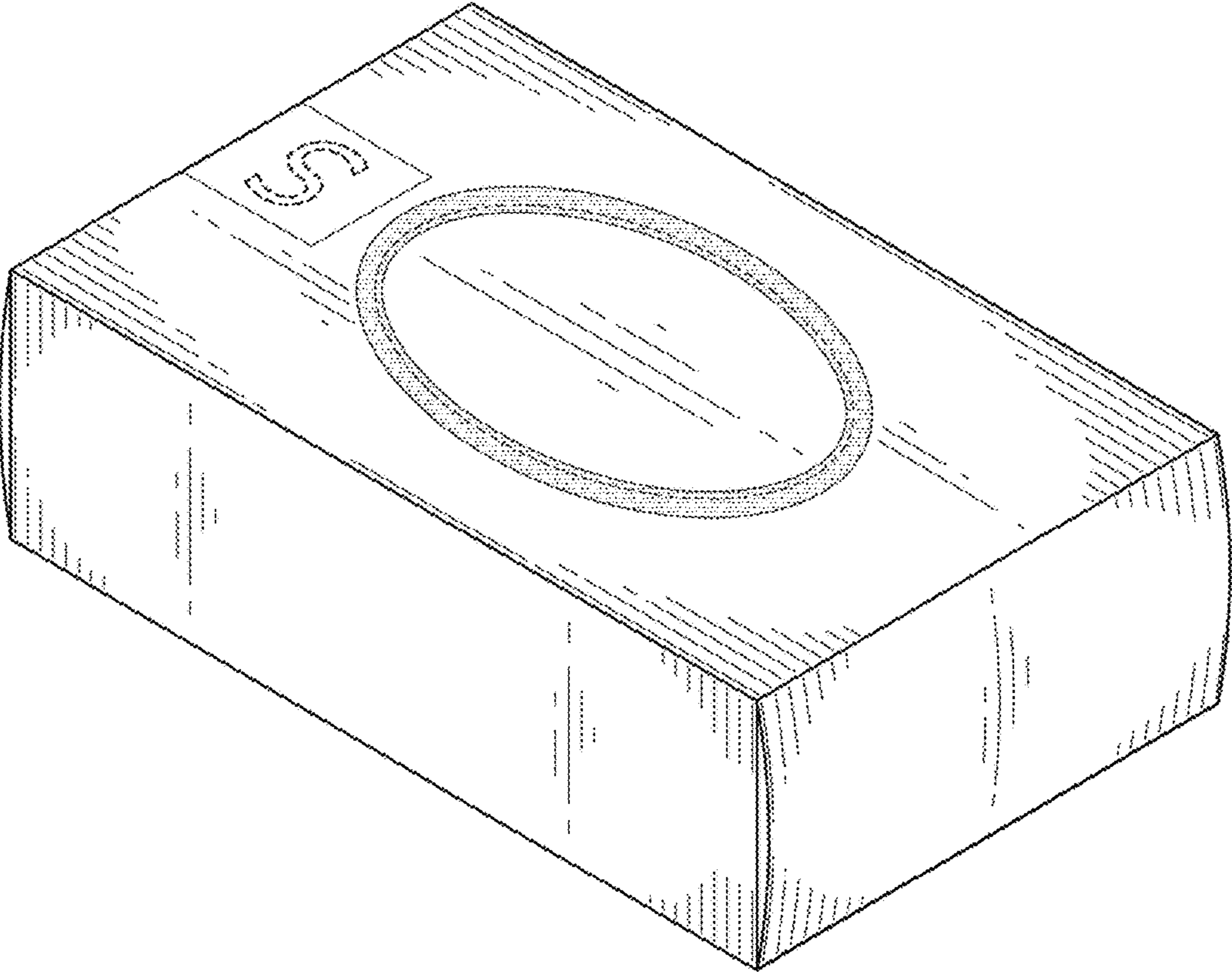


FIG. 2

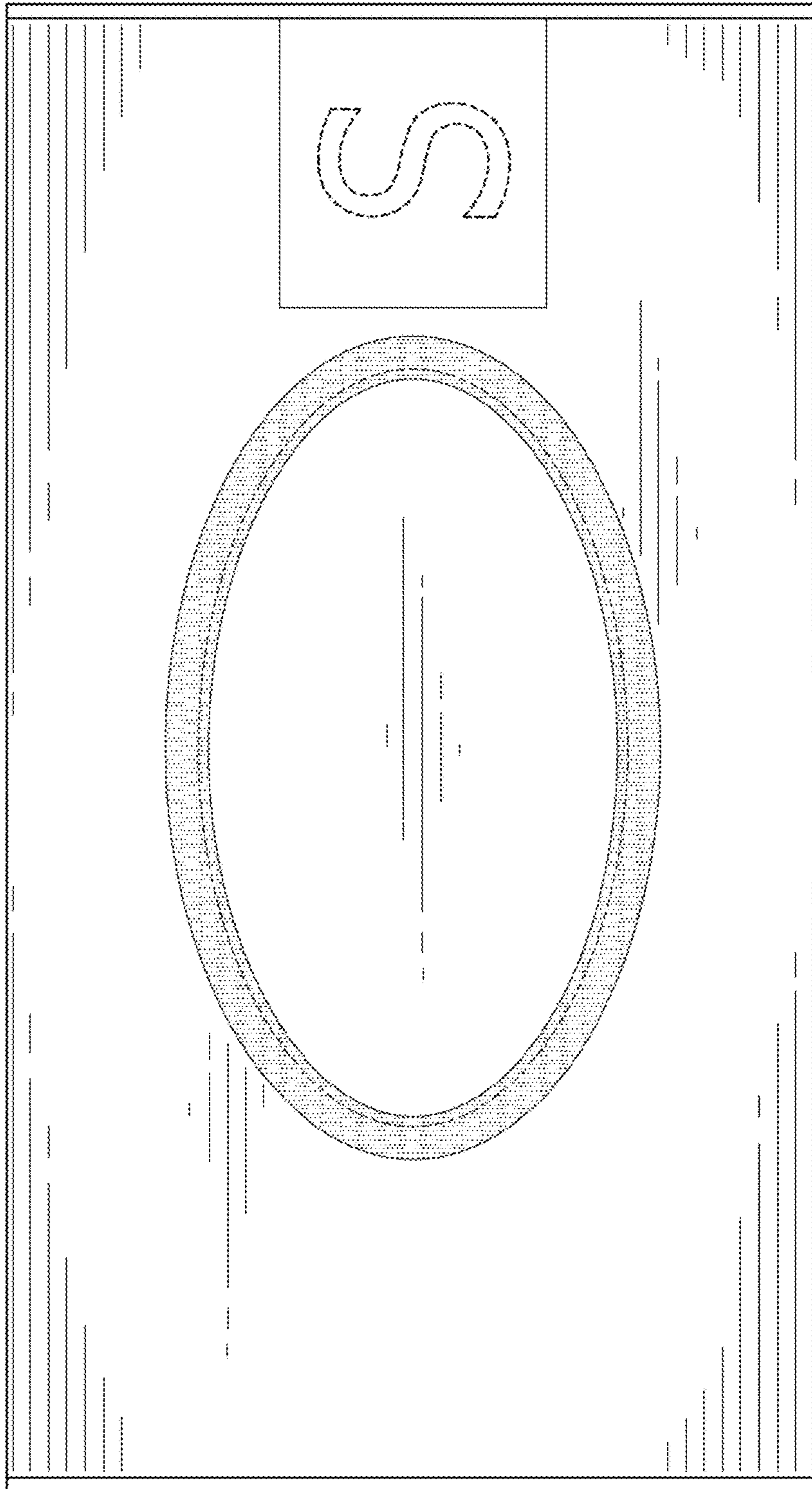


FIG. 3

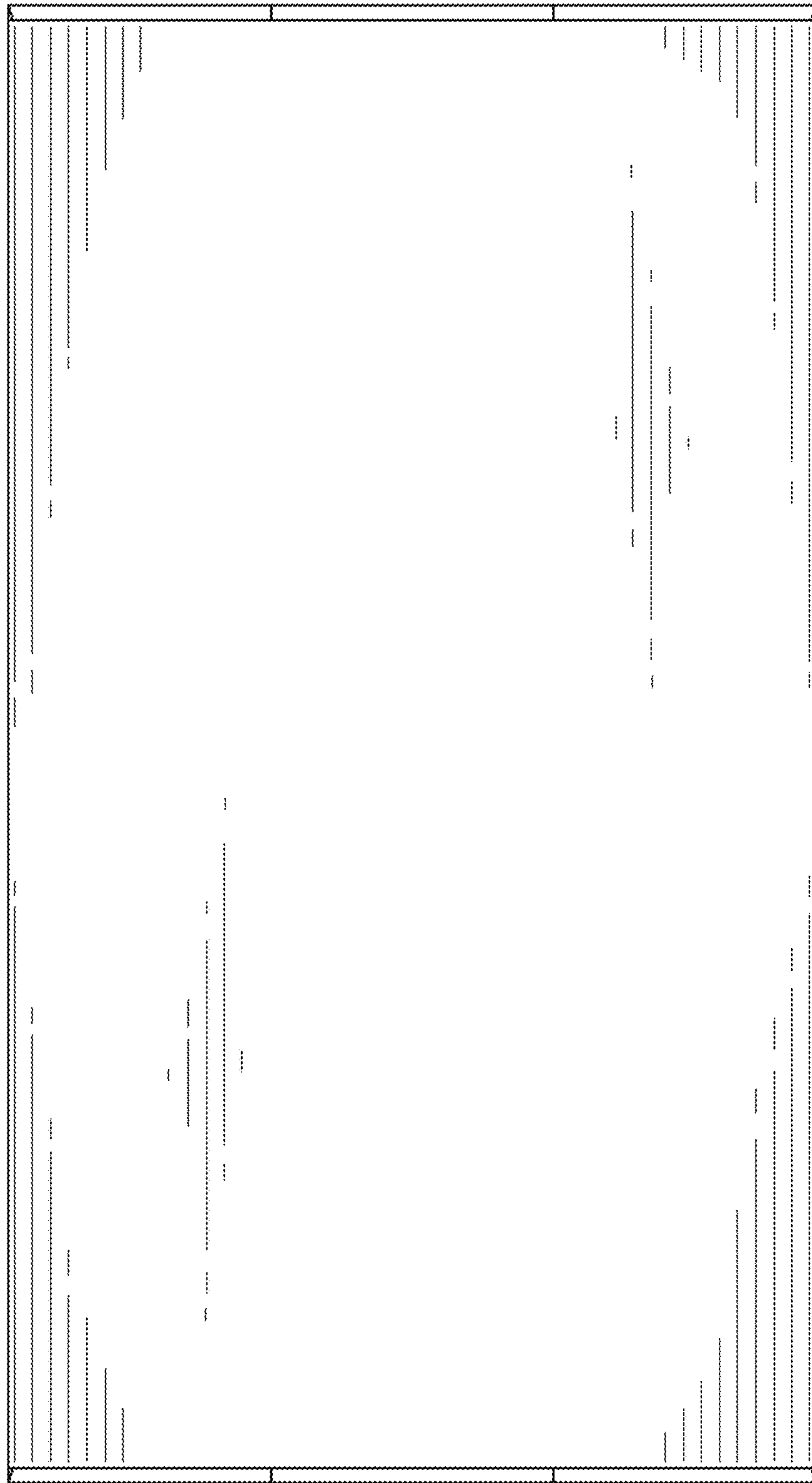


FIG. 4

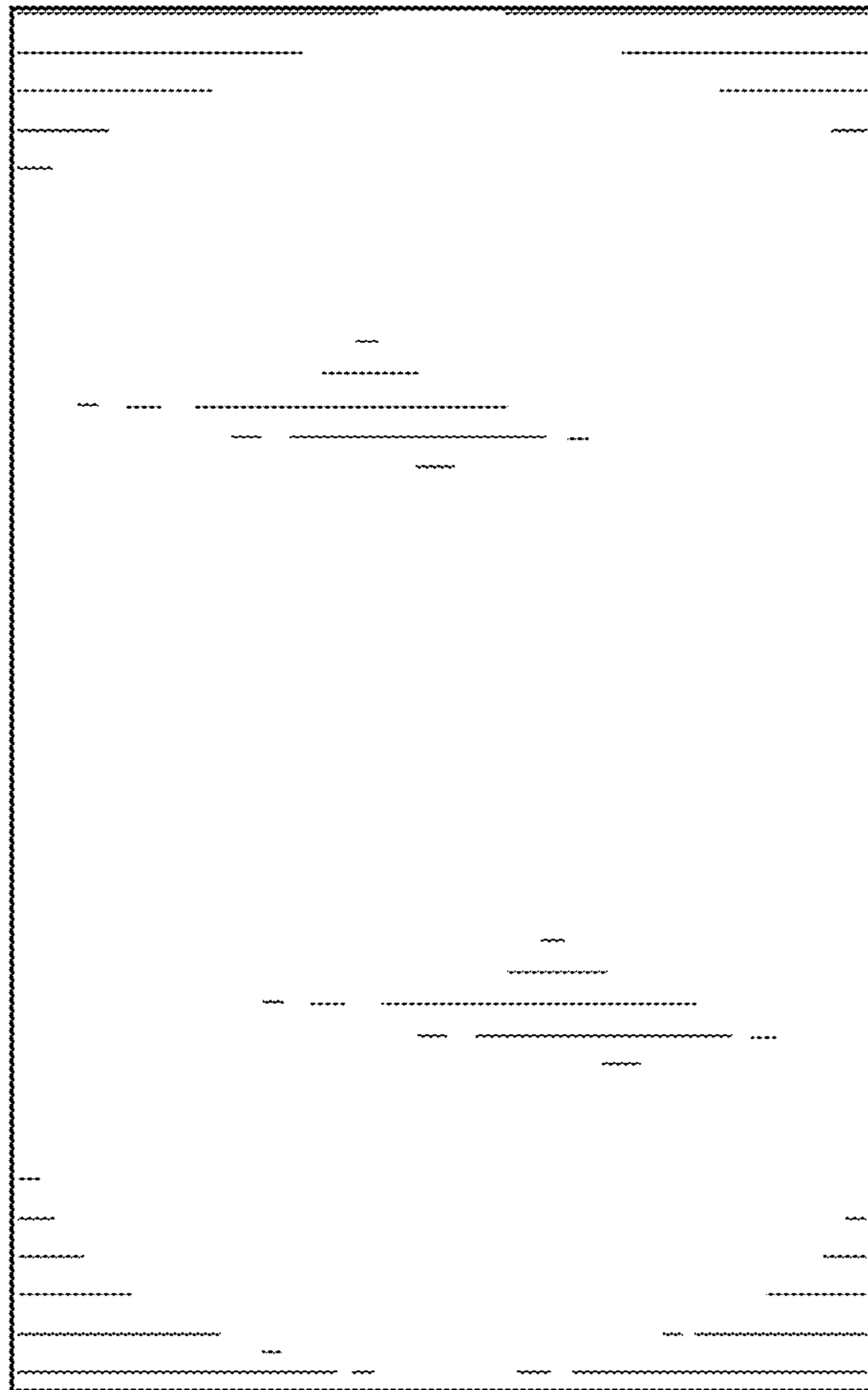


FIG. 5

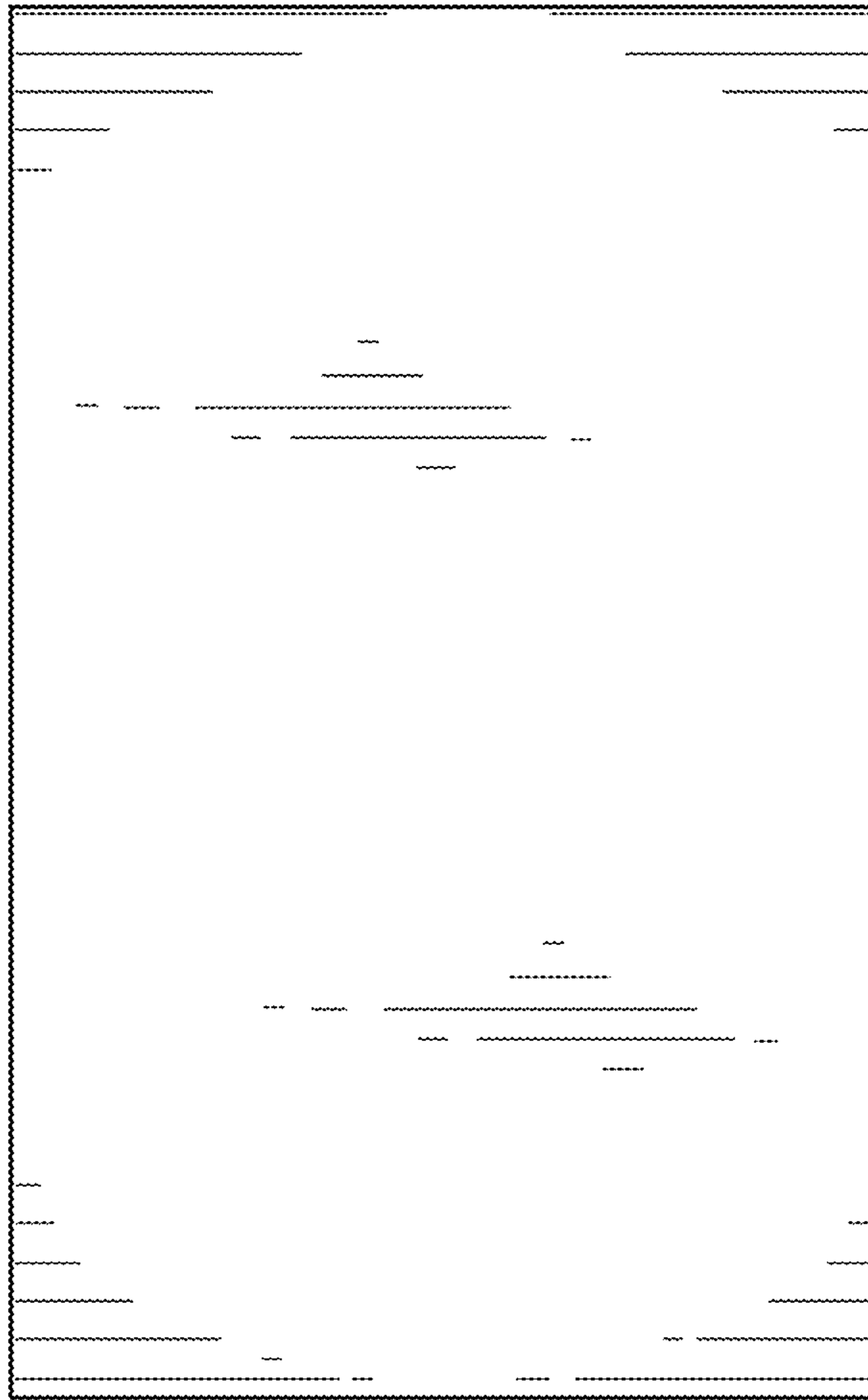


FIG. 6

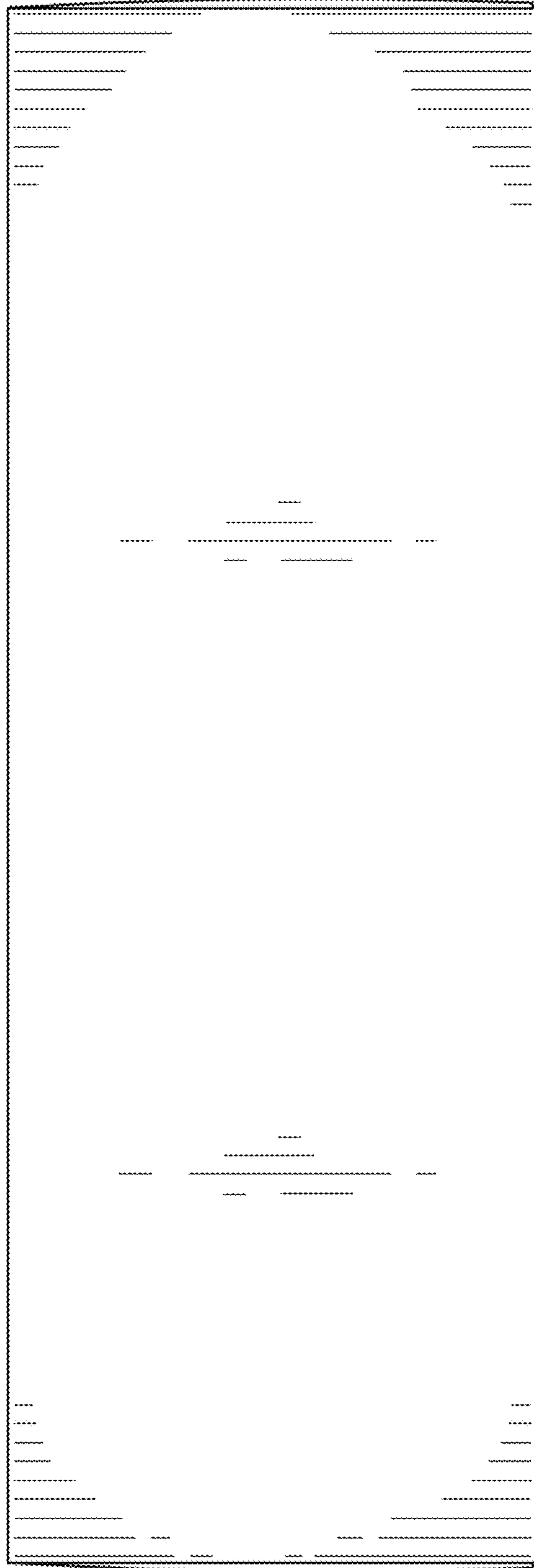


FIG. 7

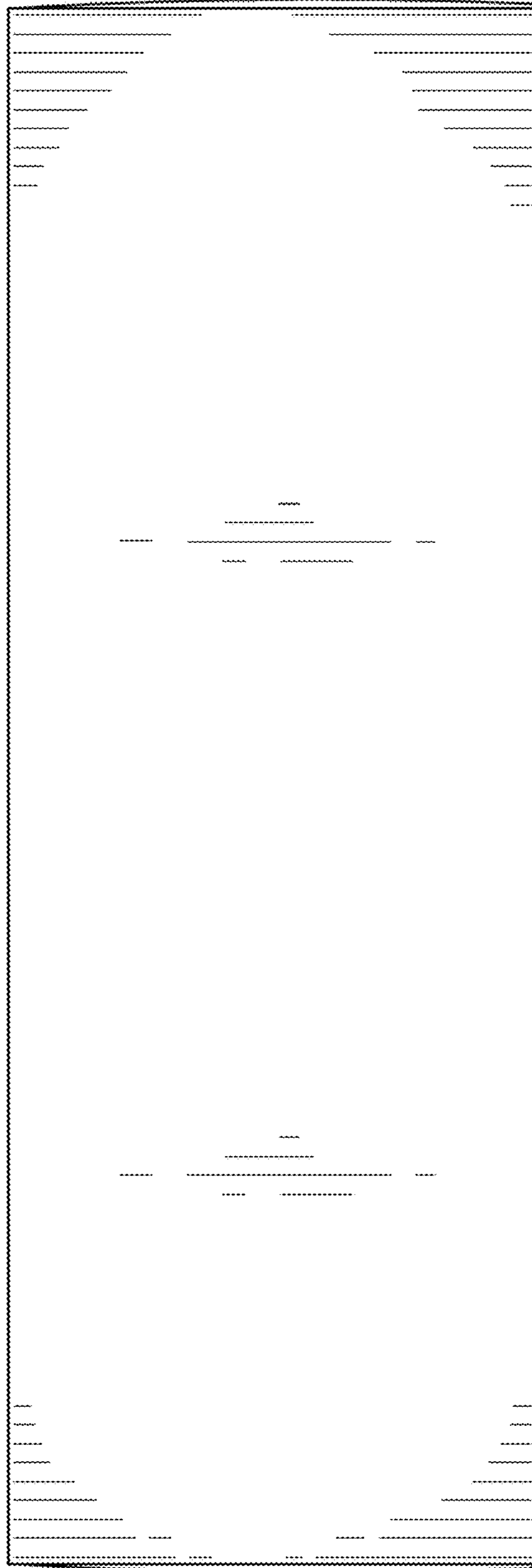


FIG. 8

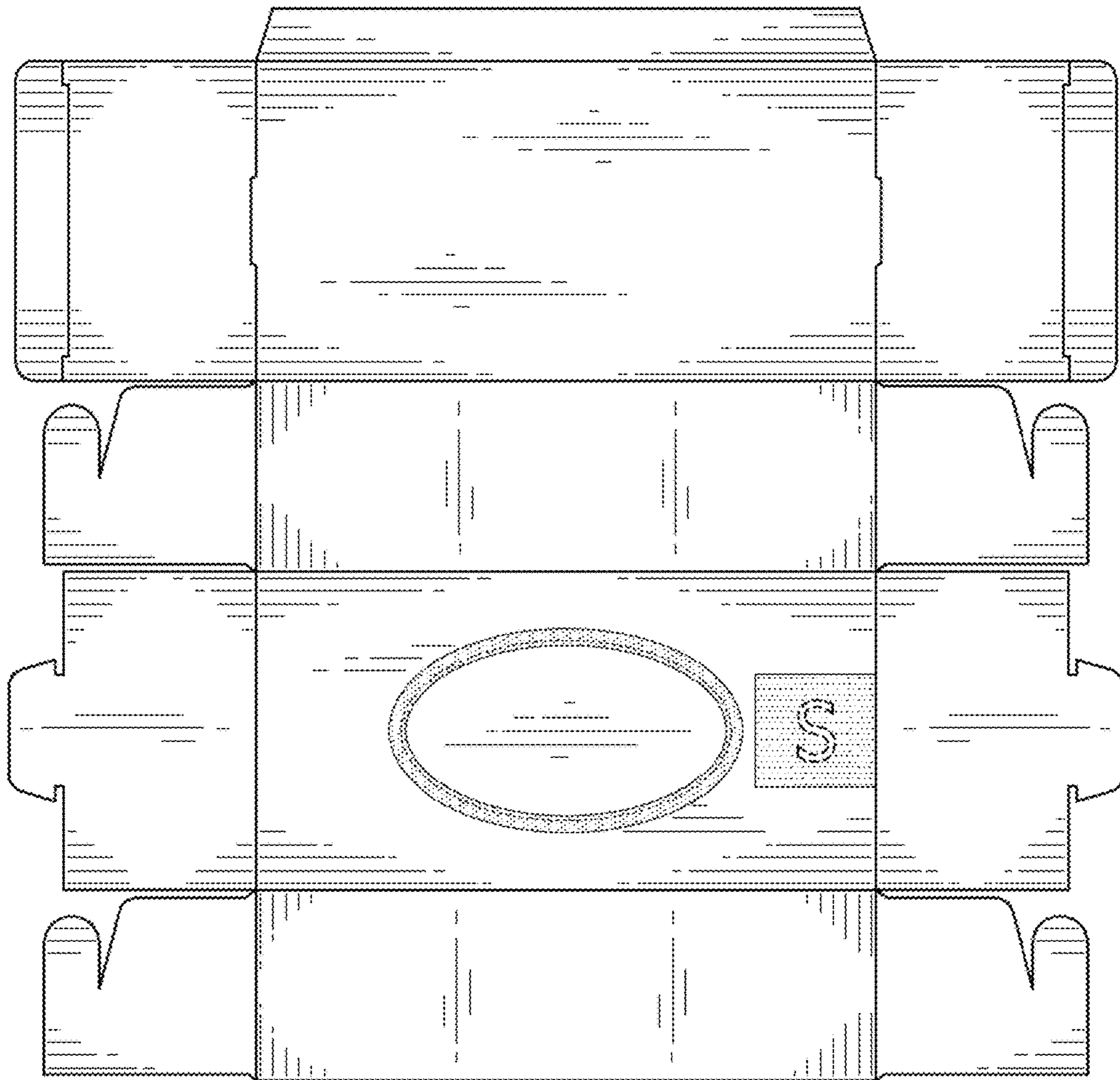


FIG. 9

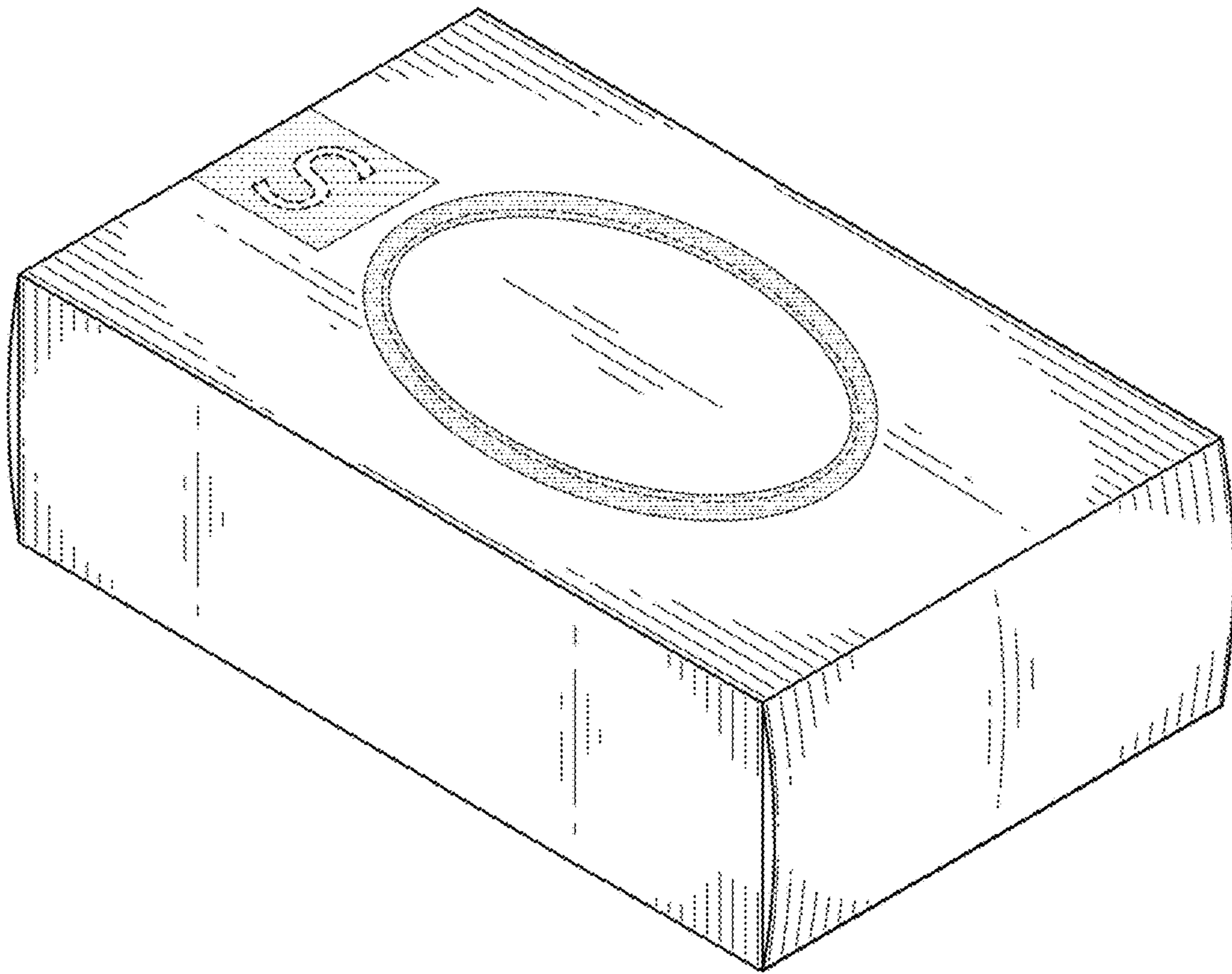


FIG. 10

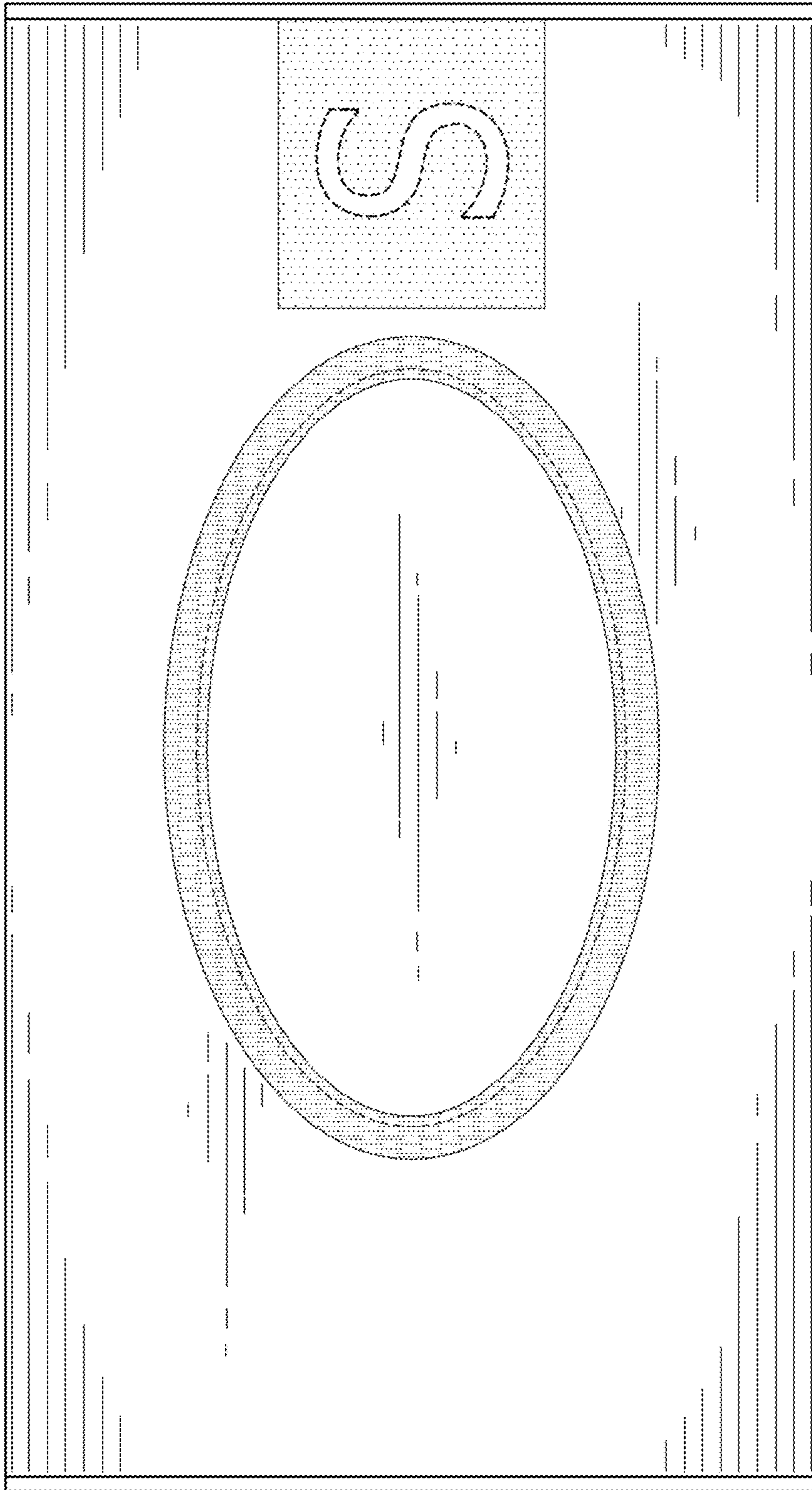


FIG. 11

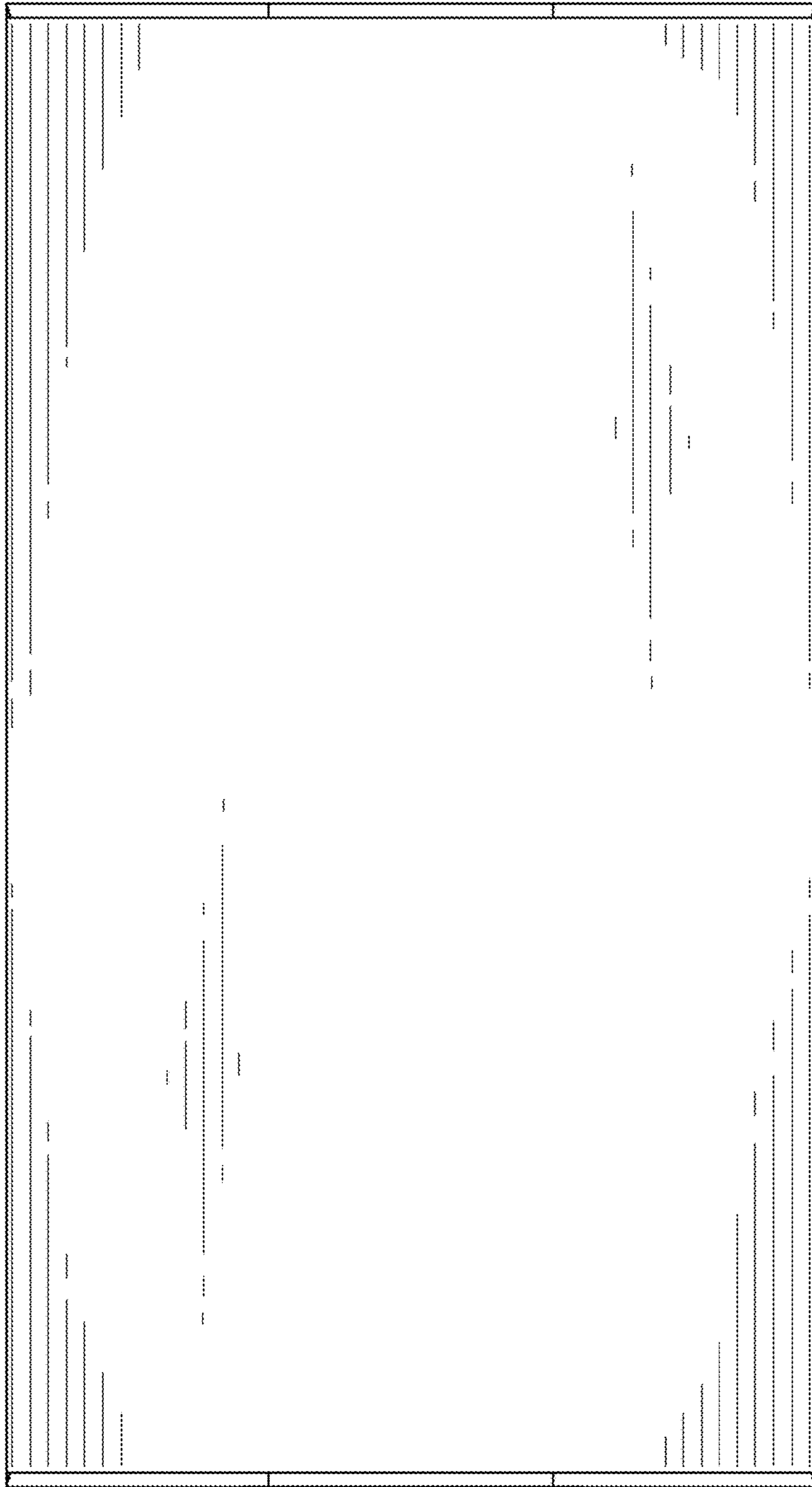


FIG. 12

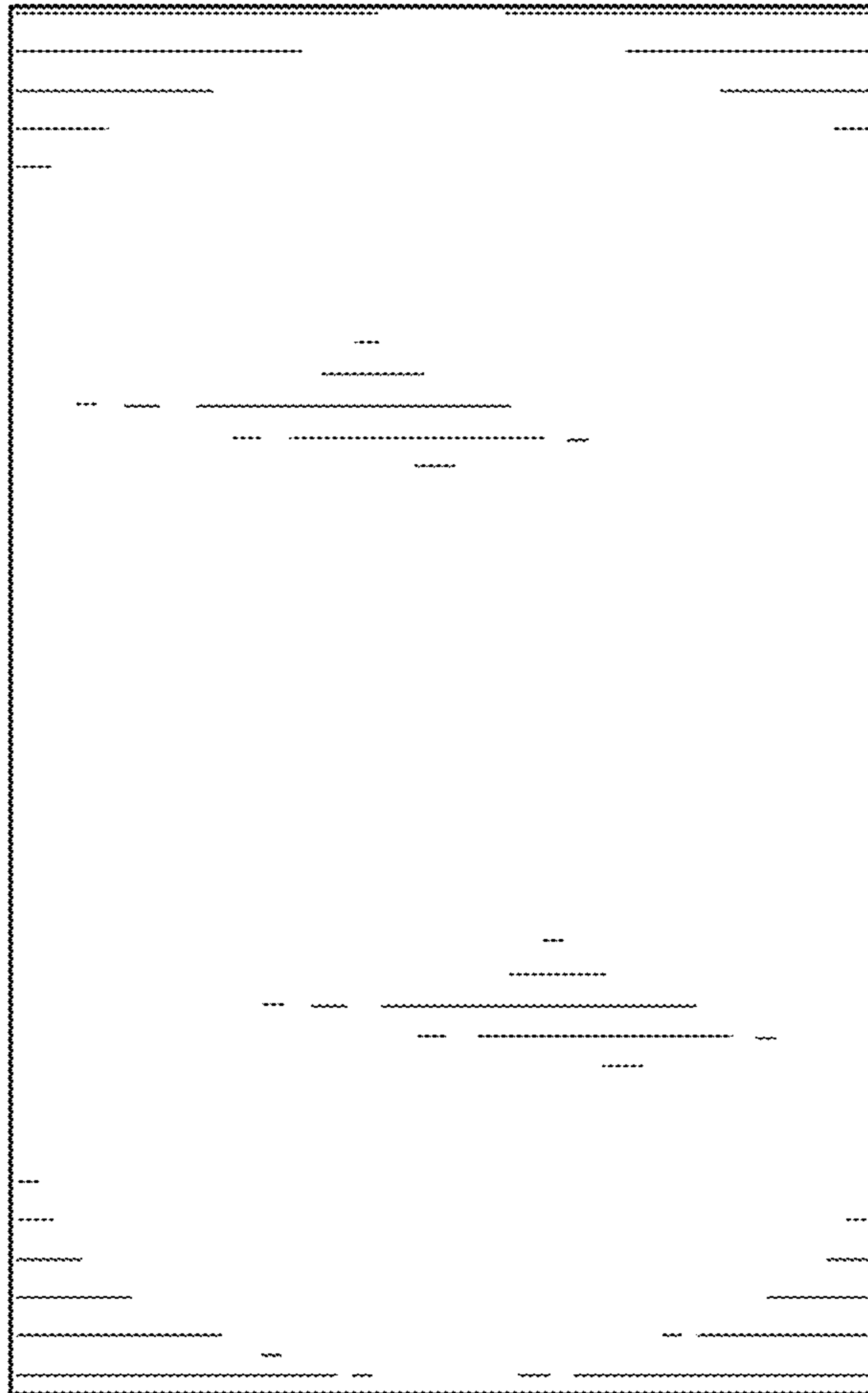


FIG. 13

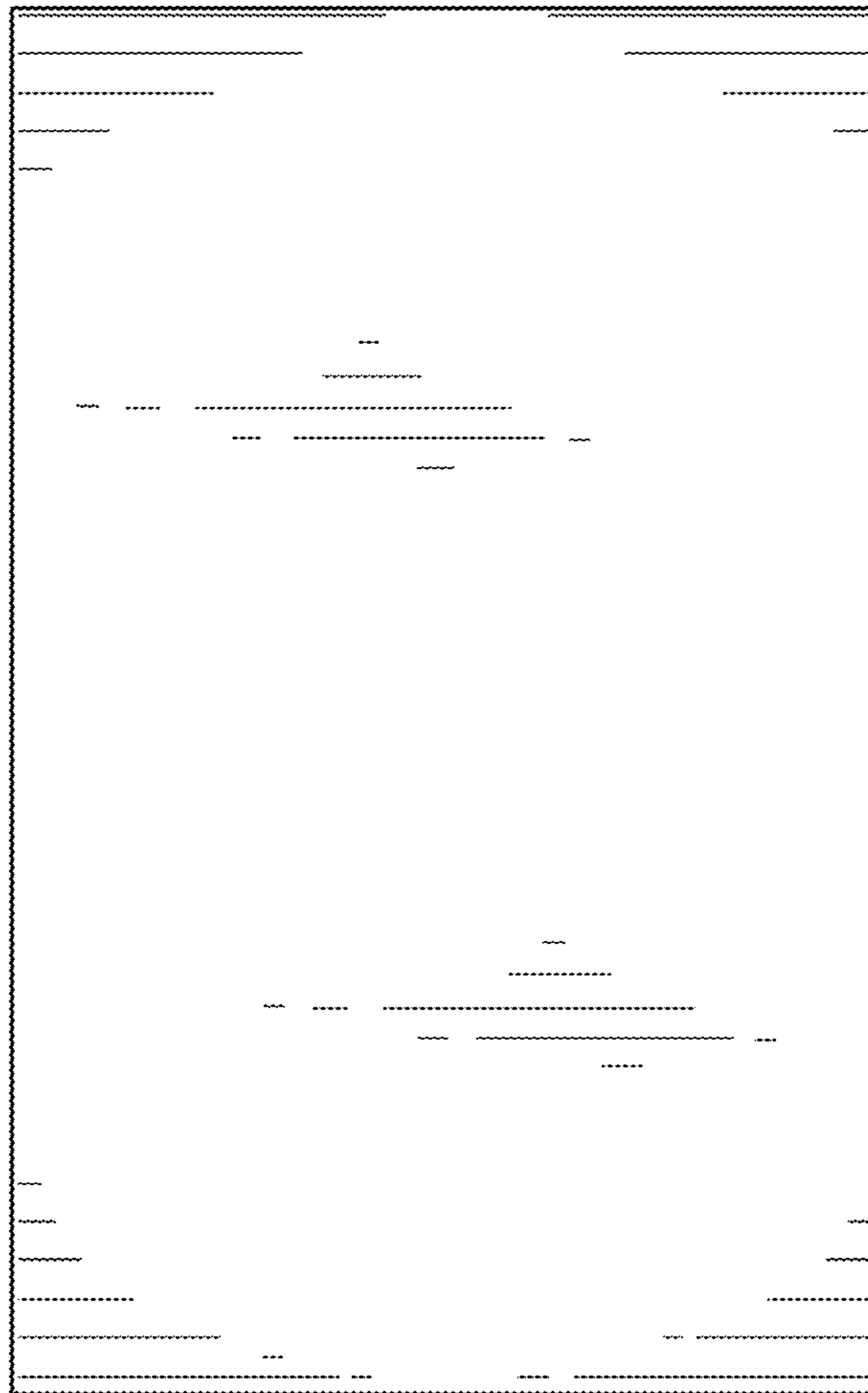


FIG. 14

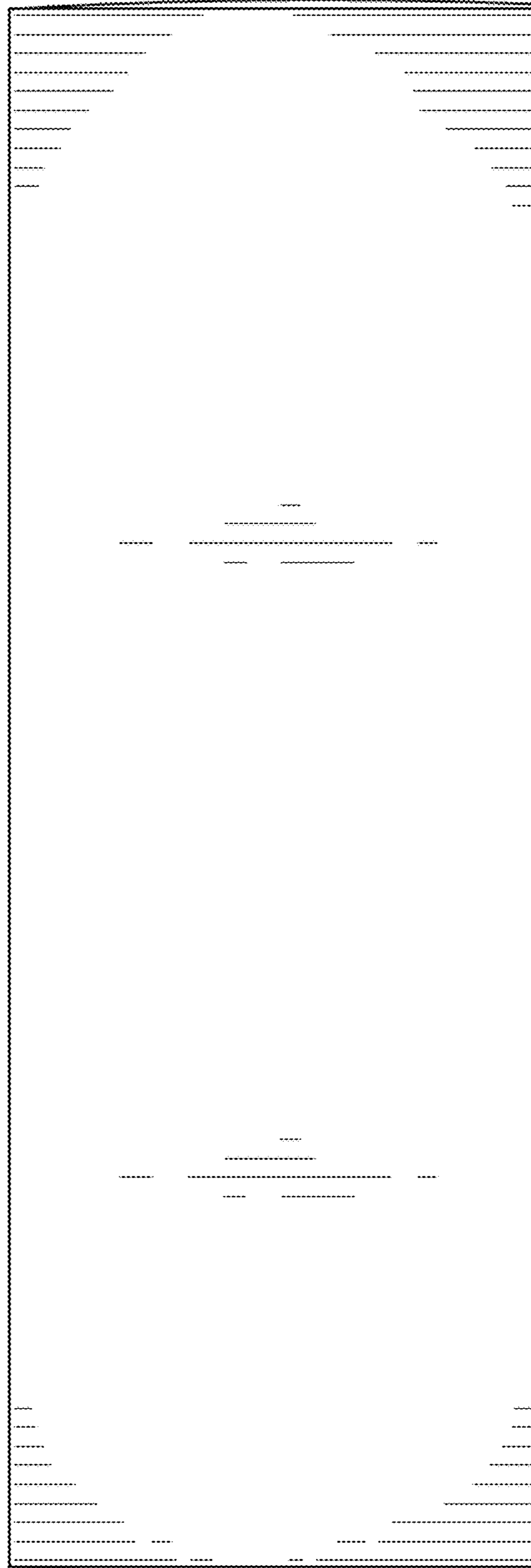


FIG. 15

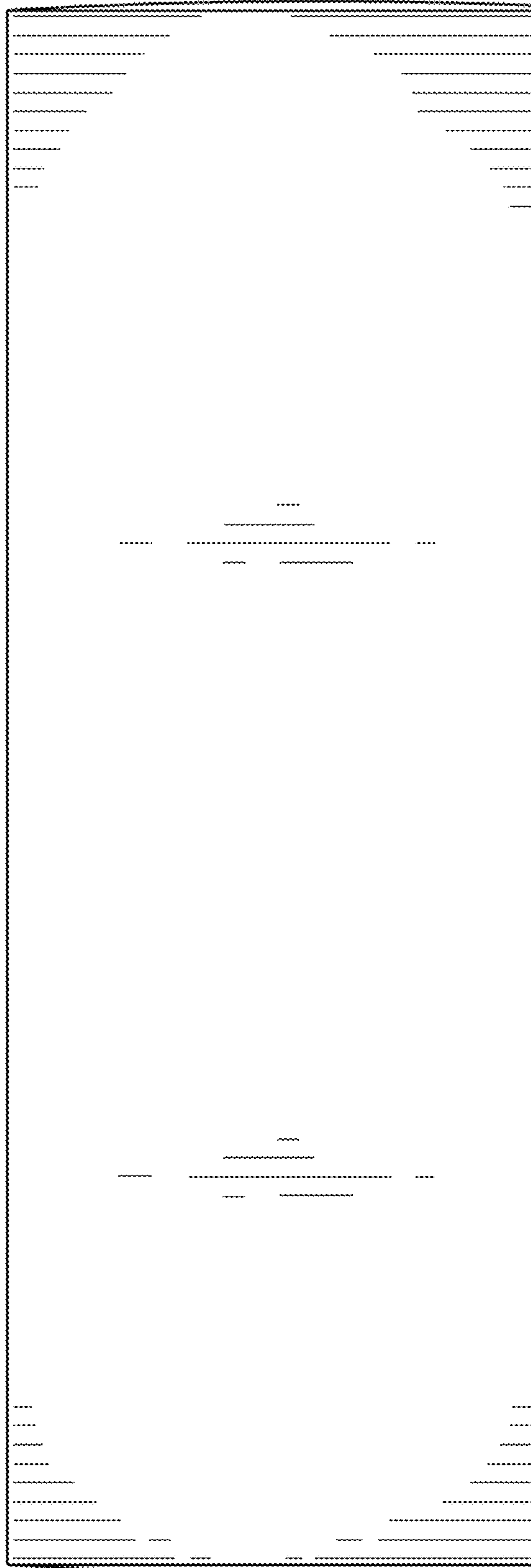


FIG. 16

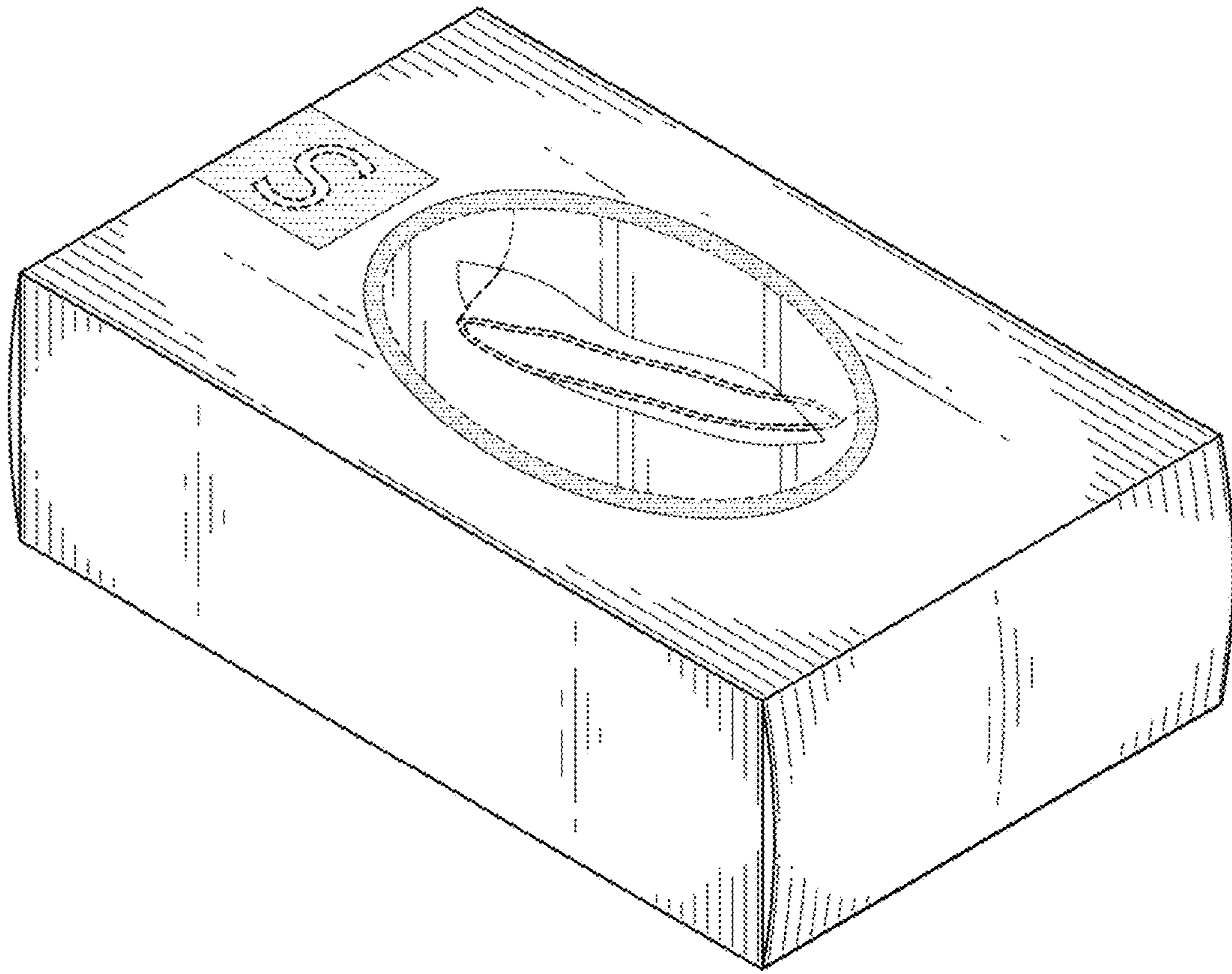


FIG. 17

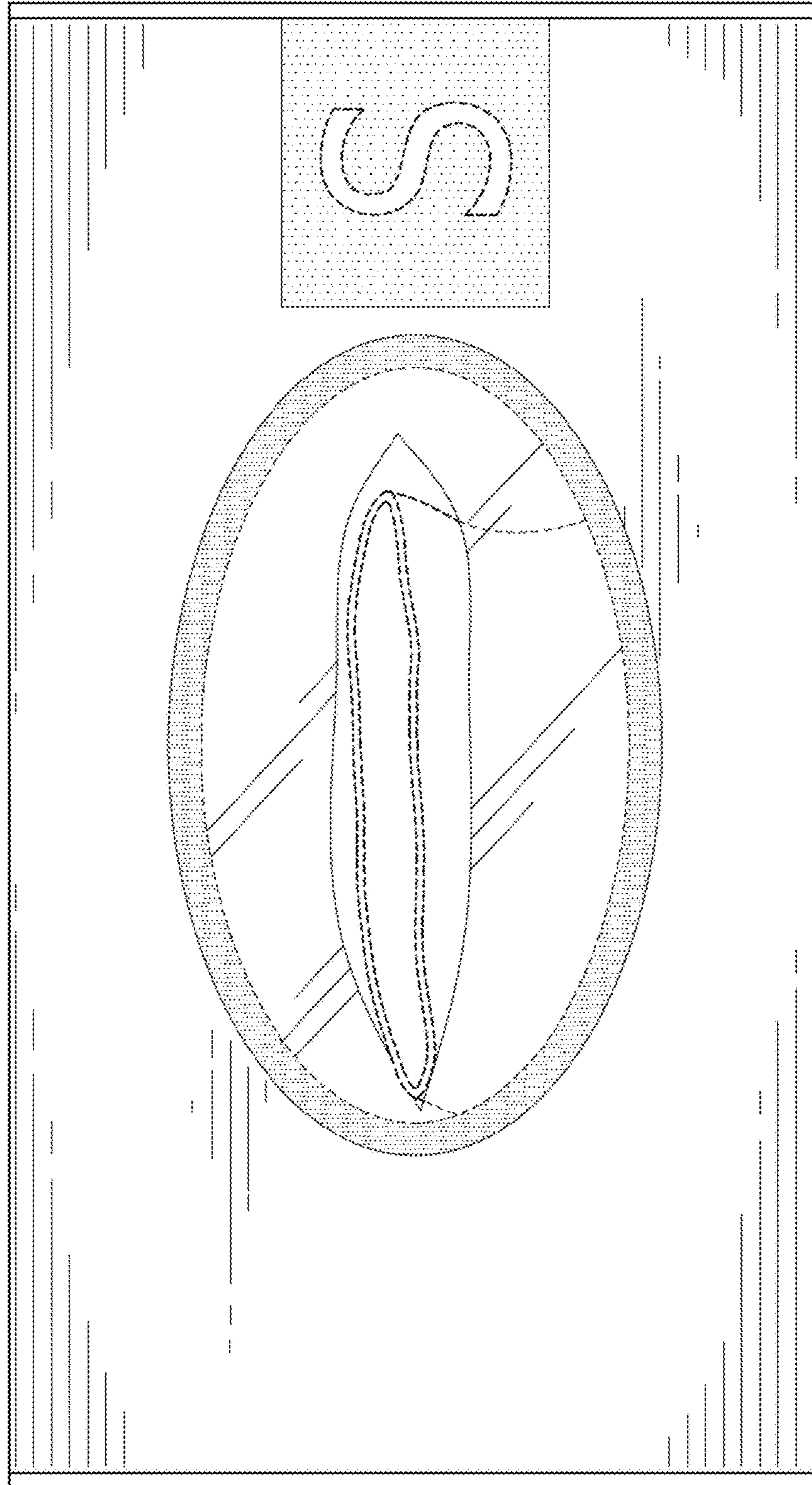


FIG. 18

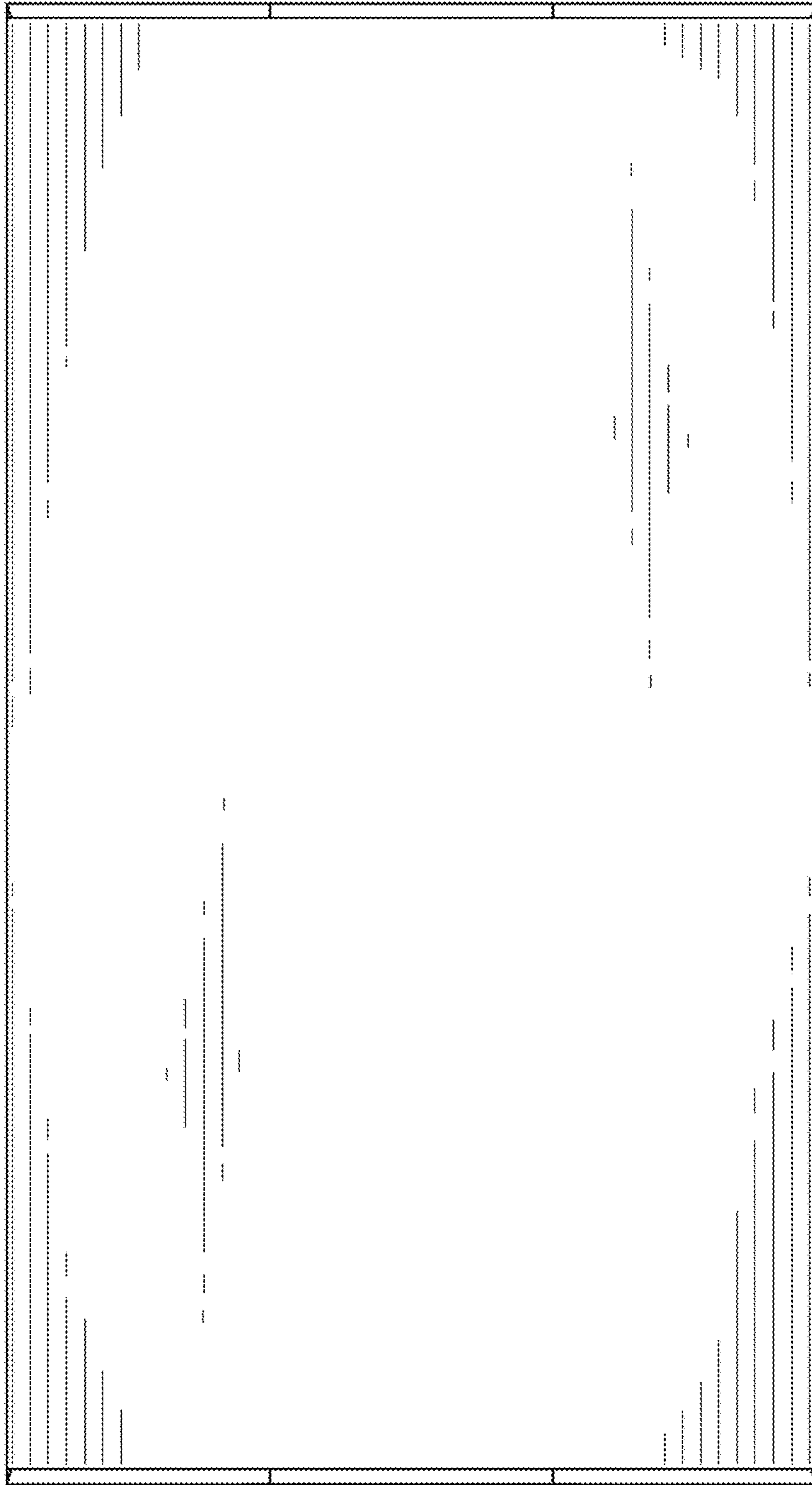


FIG. 19

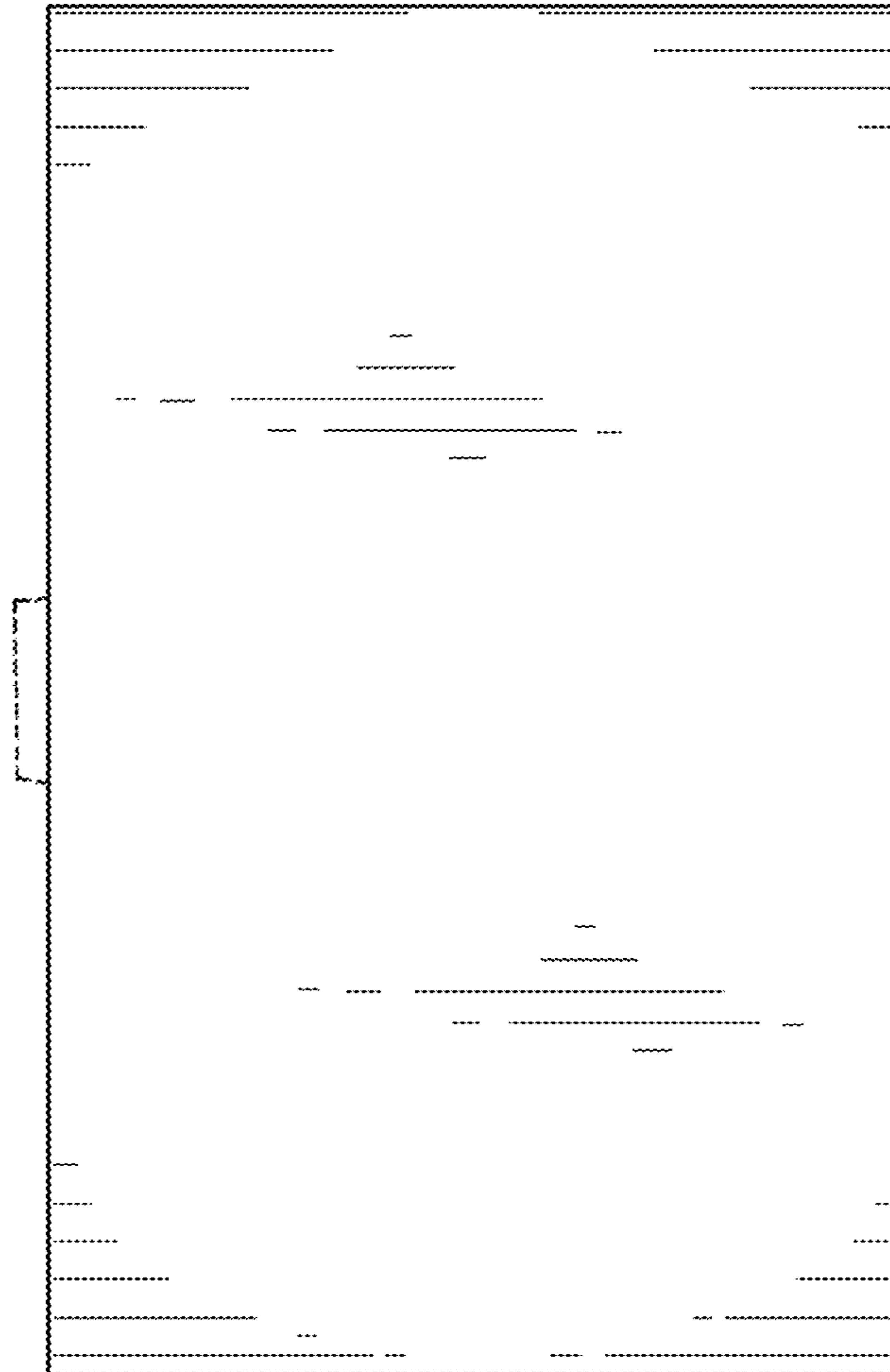


FIG. 20

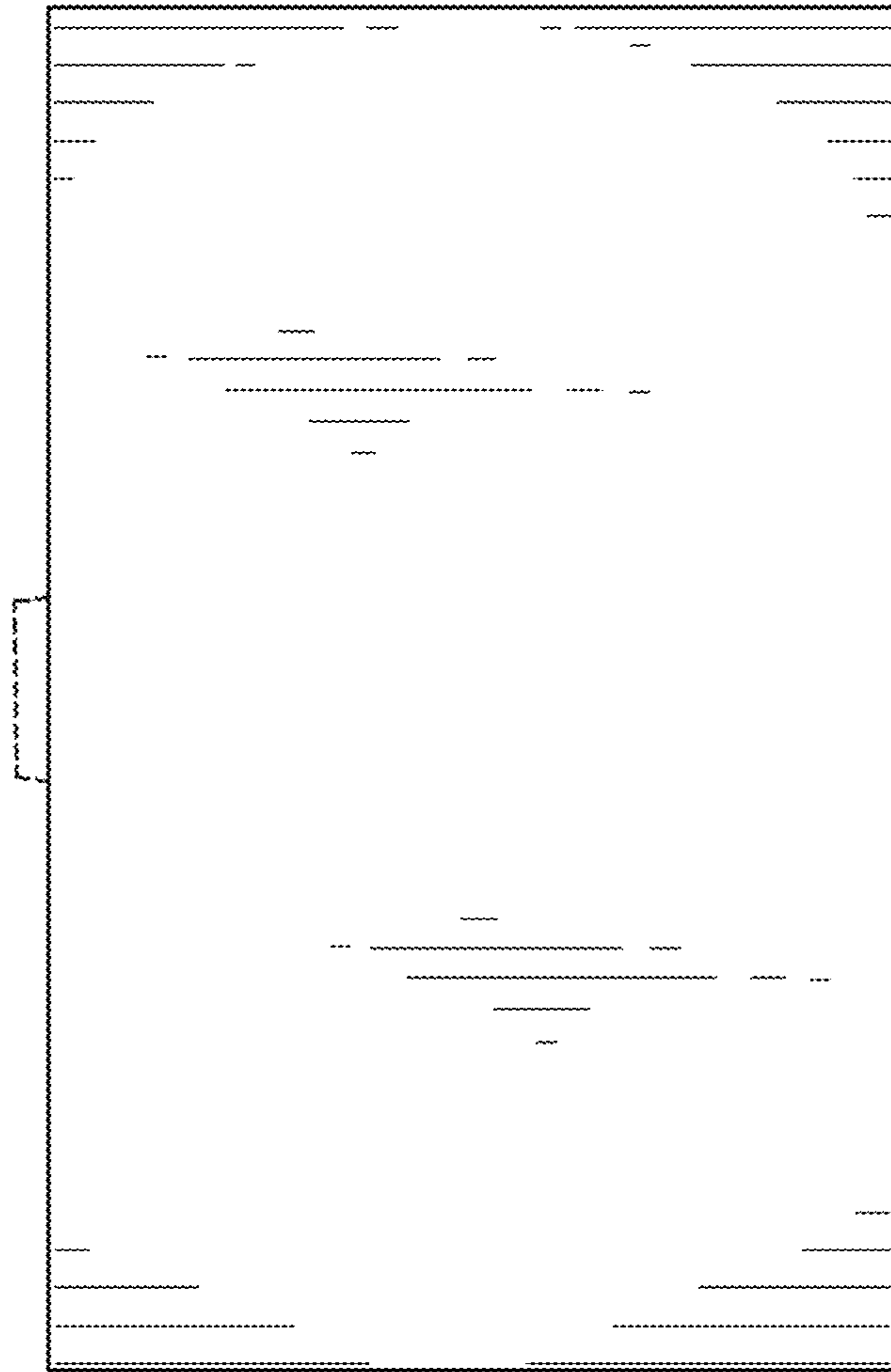


FIG. 21

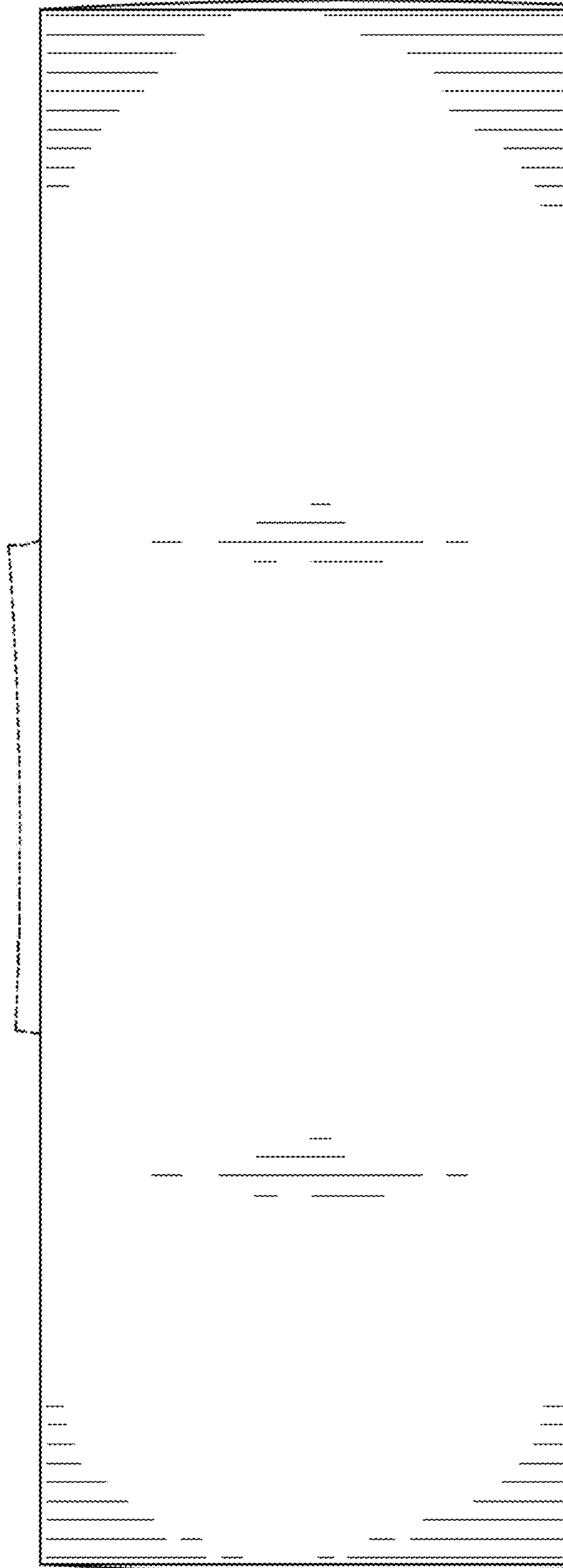


FIG. 22

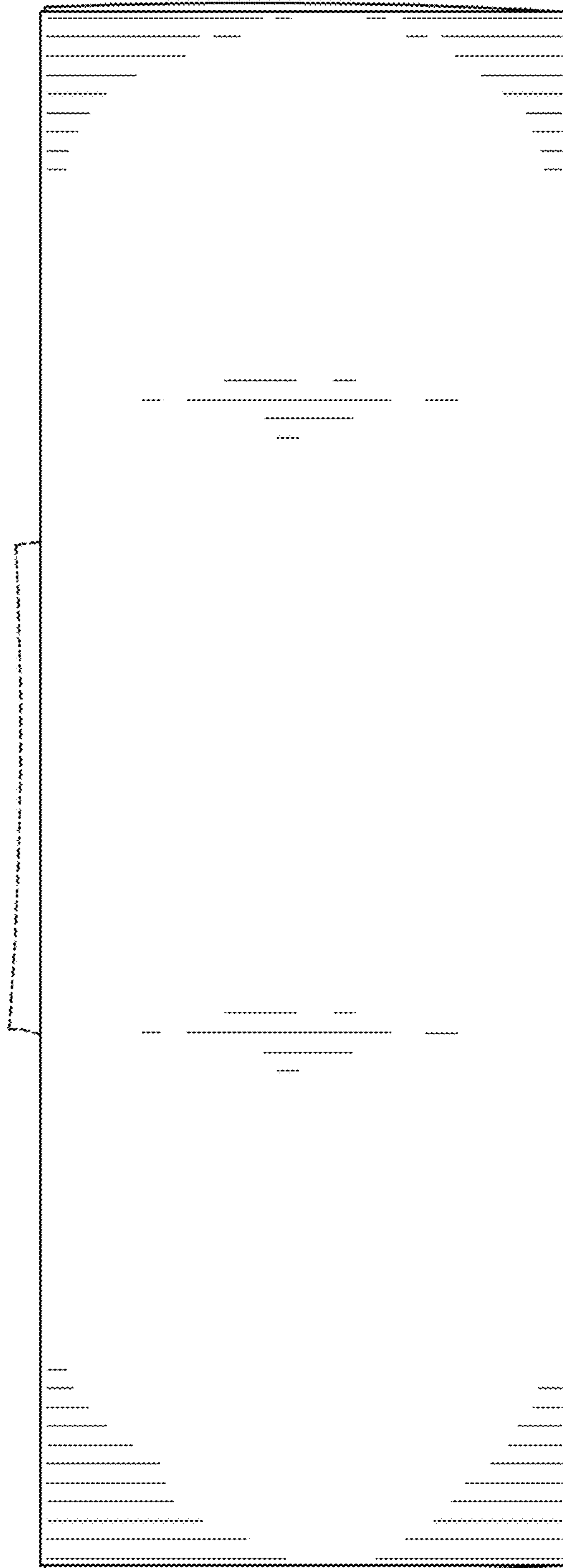


FIG. 23