



US00D820674S

(12) **United States Design Patent**  
**Yuan**

(10) **Patent No.:** **US D820,674 S**  
(45) **Date of Patent:** **\*\* Jun. 19, 2018**

(54) **PACKING CASE FOR LOCK DEVICES**

(71) Applicant: **TAIWAN FU HSING INDUSTRIAL CO., LTD.**, Kaohsiung (TW)

(72) Inventor: **Shih-Ting Yuan**, Kaohsiung (TW)

(73) Assignee: **TAIWAN FU HSING INDUSTRIAL CO., LTD.**, Kaohsiung (TW)

(\*\*) Term: **15 Years**

(21) Appl. No.: **29/583,769**

(22) Filed: **Nov. 8, 2016**

(30) **Foreign Application Priority Data**

Sep. 10, 2016 (TW) ..... 105305369

(51) **LOC (11) Cl.** ..... **09-03**

(52) **U.S. Cl.**  
USPC ..... **D9/424**; D9/415

(58) **Field of Classification Search**  
USPC ..... D9/415, 418, 424, 732  
CPC .... B65D 75/327; B65D 75/36; B65D 75/366;  
B65D 75/367; B65D 75/32; B65D  
2575/3245; B65D 75/326; B65D  
2575/366; B65D 2585/88; B65D 75/322;  
B65D 77/2032; B65D 5/4204; B65D  
75/22; B65D 77/0413; B65D 5/4208;  
B65D 77/02; B65D 25/22; B65D  
75/5833; B65D 85/00; B65D 2543/00194;  
B65D 2301/20; B65D 2575/3218; B65D  
73/0007; B65D 73/0042

See application file for complete search history.

(56) **References Cited**

**U.S. PATENT DOCUMENTS**

D256,777 S \* 9/1980 Sorsjo ..... D9/732  
4,319,684 A \* 3/1982 Backman ..... B65B 7/26  
206/464

4,512,474 A \* 4/1985 Harding ..... B65D 75/225  
206/461  
4,805,766 A \* 2/1989 Garcia ..... B65D 75/367  
206/461  
4,867,304 A \* 9/1989 Garcia ..... B65D 75/367  
206/461  
D331,012 S 11/1992 Karita  
D366,828 S \* 2/1996 Bachand ..... D9/425  
D373,527 S \* 9/1996 Phillips ..... D9/415  
D396,632 S \* 8/1998 Lee ..... D9/415  
D449,780 S \* 10/2001 Corella ..... D9/415  
D463,978 S 10/2002 Dimartino  
D519,364 S \* 4/2006 Kopp ..... D9/415  
D534,795 S \* 1/2007 Manuel ..... D9/424  
D592,135 S \* 5/2009 Hung ..... D13/120  
D596,023 S \* 7/2009 Moskowitz ..... D9/418  
D629,680 S \* 12/2010 Sondors ..... D9/418  
D697,398 S 1/2014 Guevara-Ludt  
D703,544 S \* 4/2014 Limback ..... D9/652

(Continued)

**FOREIGN PATENT DOCUMENTS**

JP D1533048 9/2015

*Primary Examiner* — Lauren R Calve

(74) *Attorney, Agent, or Firm* — Winston Hsu

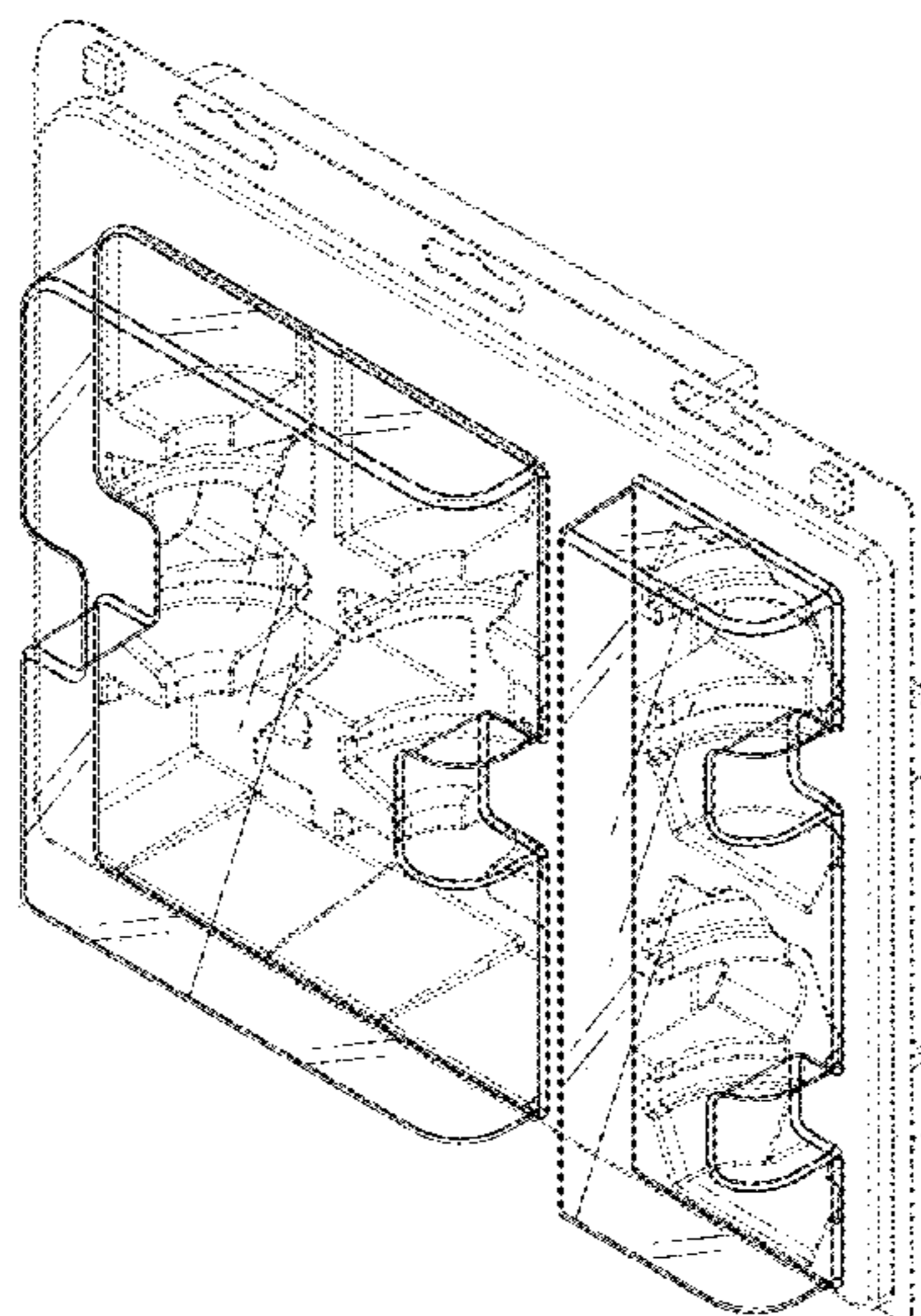
(57) **CLAIM**

The ornamental design for a packing case for lock devices, as shown and described.

**DESCRIPTION**

FIG. 1 is a front, right, top perspective view of a packing case for lock devices showing my new design; FIG. 2 is a front elevational view thereof; FIG. 3 is a rear elevational view thereof; FIG. 4 is a left side elevational view thereof; FIG. 5 is a right side elevational view thereof; FIG. 6 is a top plan view thereof; and, FIG. 7 is a bottom plan view thereof. The broken lines shown represent unclaimed subject matter and form no part of the claimed design.

**1 Claim, 7 Drawing Sheets**



(56)

**References Cited**

U.S. PATENT DOCUMENTS

D736,705 S \* 8/2015 Brogan ..... D13/108  
D746,130 S \* 12/2015 Johnson ..... D9/418  
9,701,449 B2 \* 7/2017 Jacobus ..... B65D 75/368  
2005/0061759 A1 \* 3/2005 Doucette ..... B65D 75/367  
211/85.4  
2013/0062240 A1 \* 3/2013 Trontel ..... B65D 73/0064  
206/459.5

\* cited by examiner

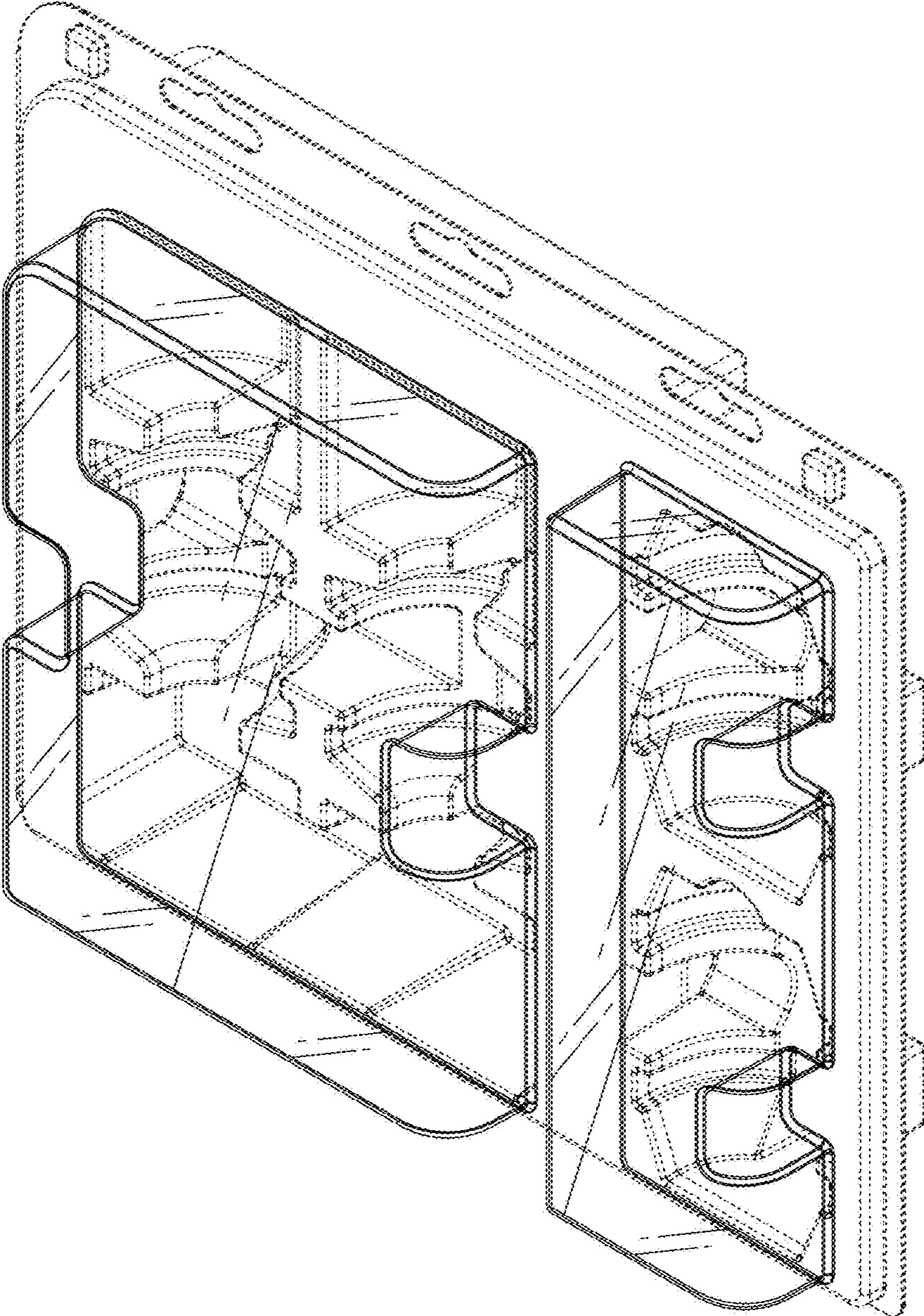


FIG. 1

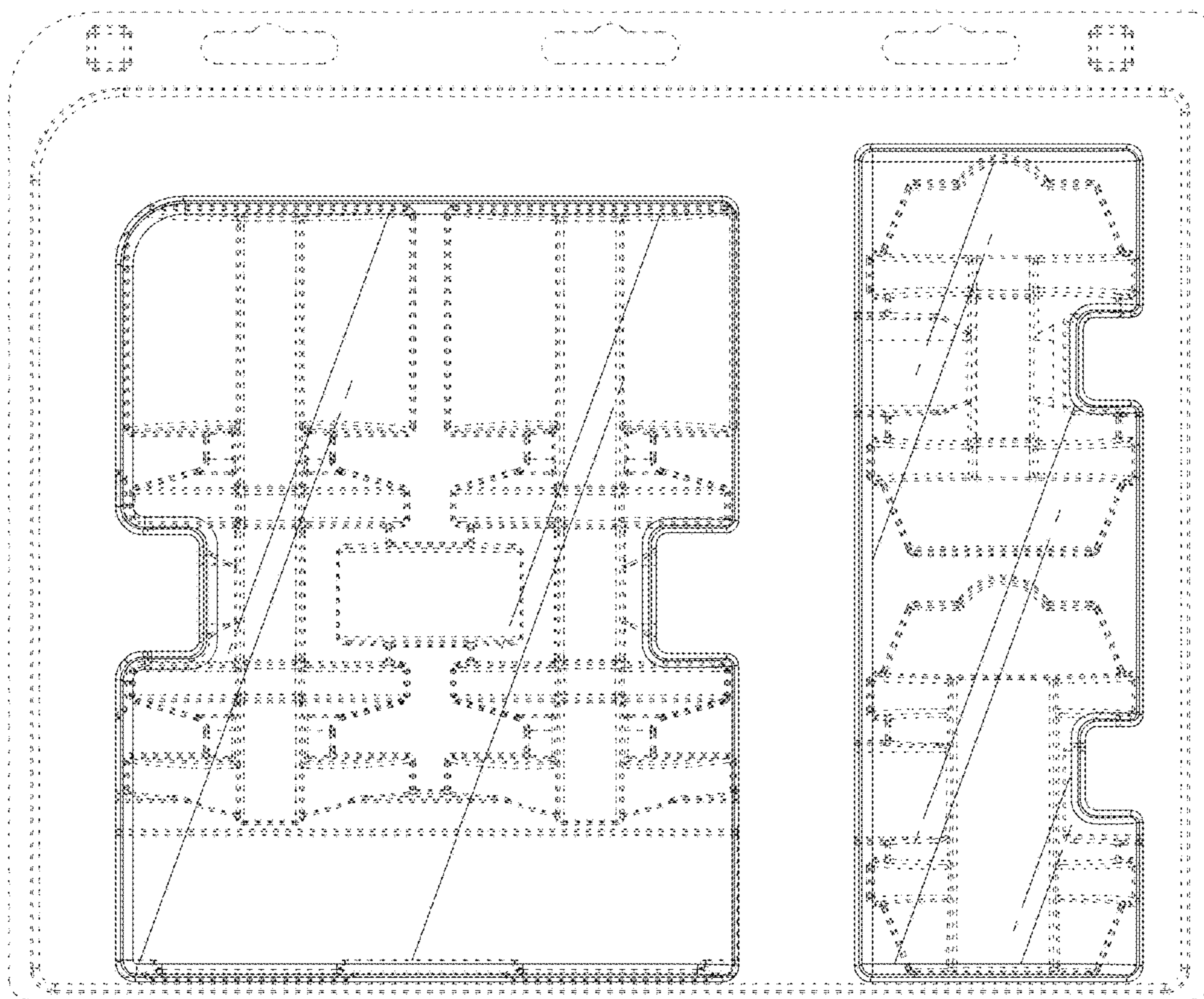


FIG. 2

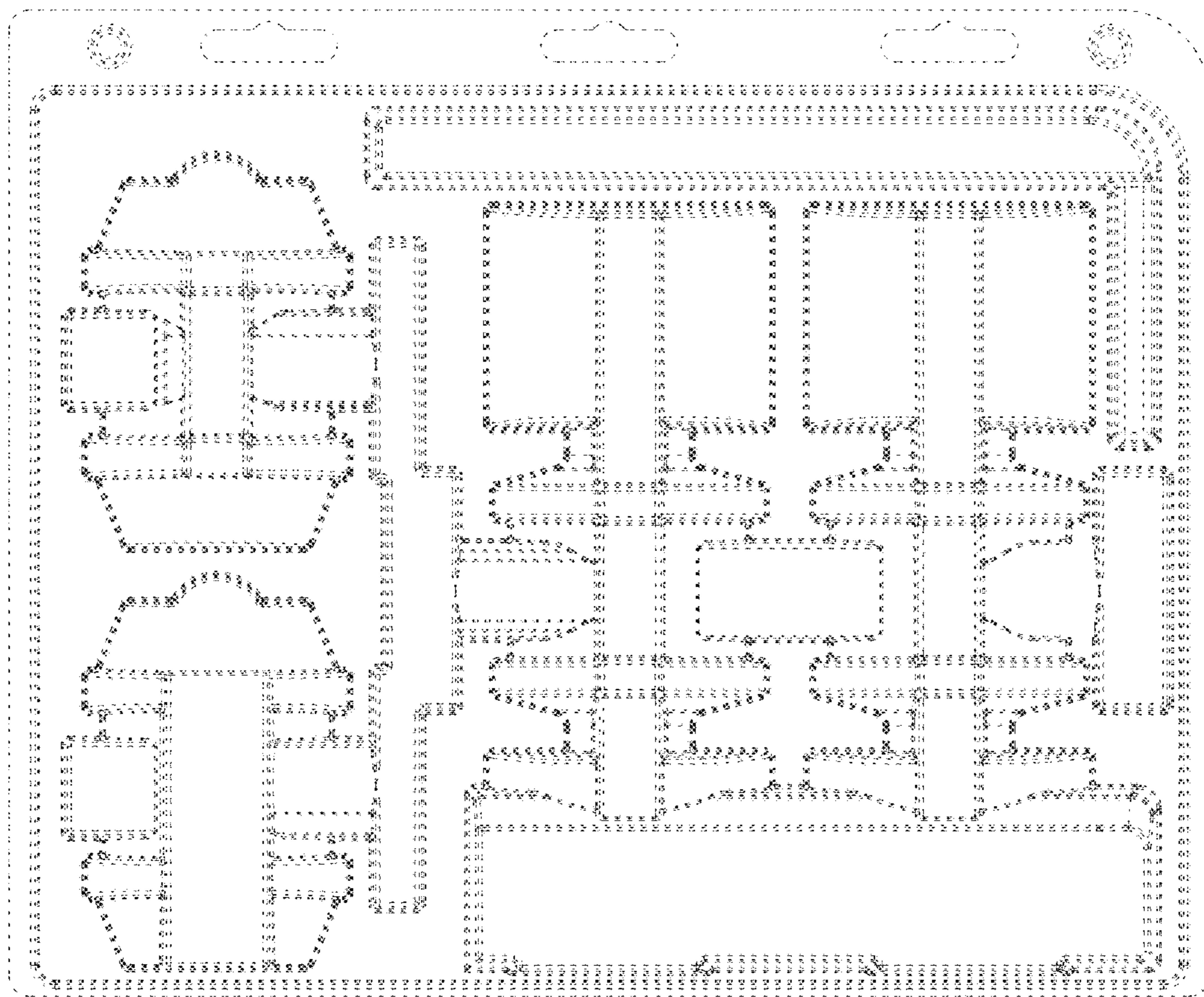


FIG. 3

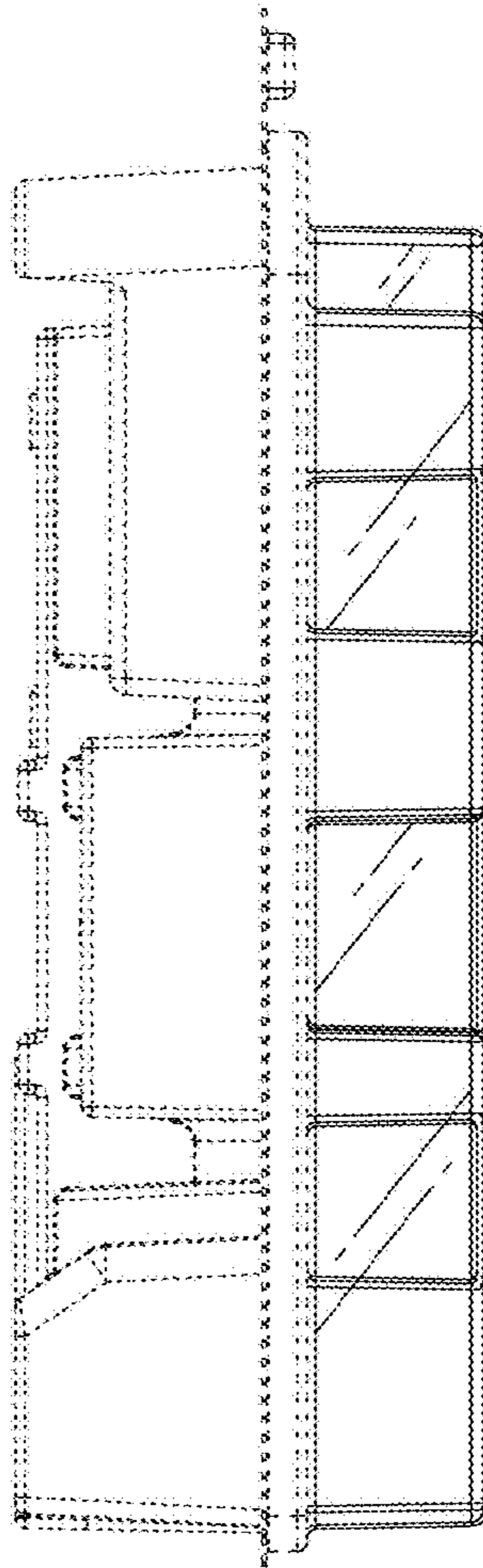


FIG. 4

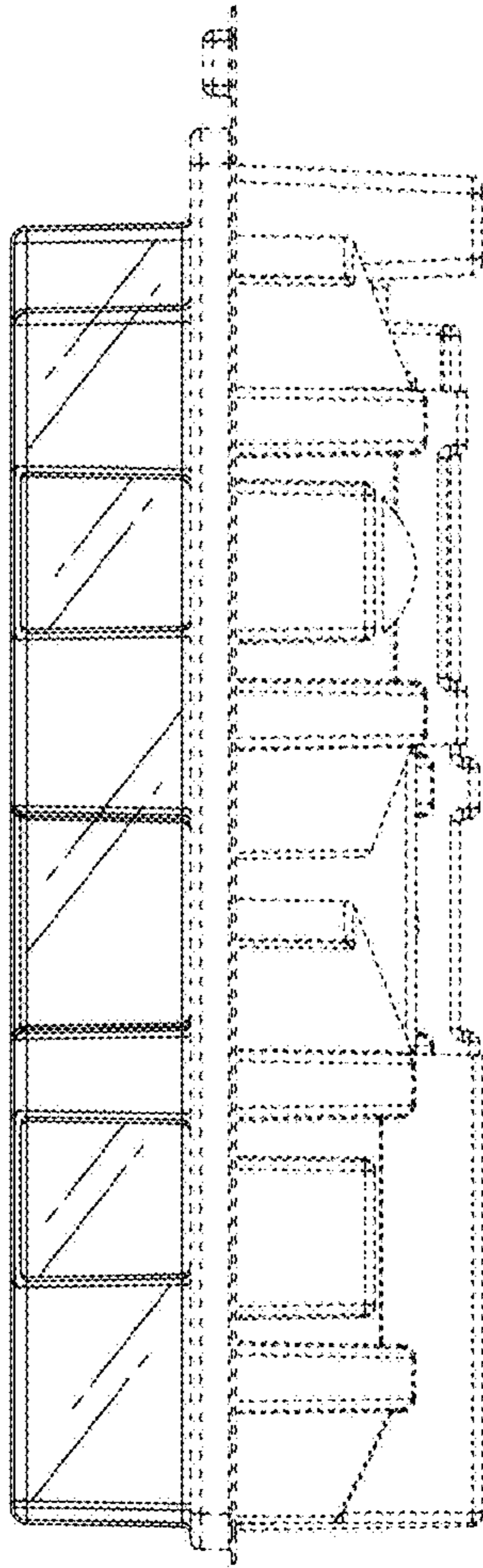


FIG. 5

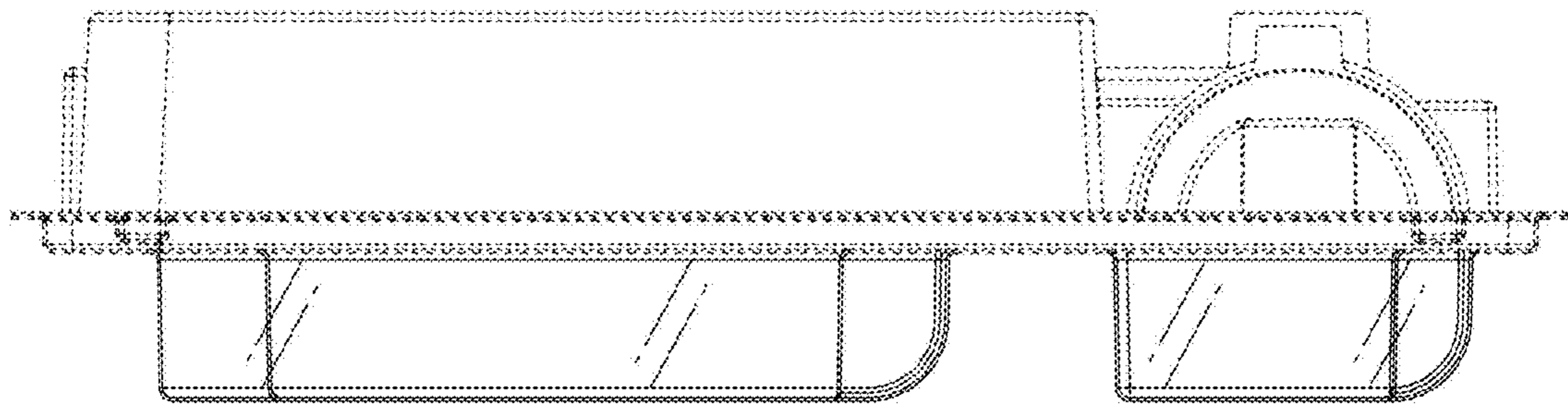


FIG. 6



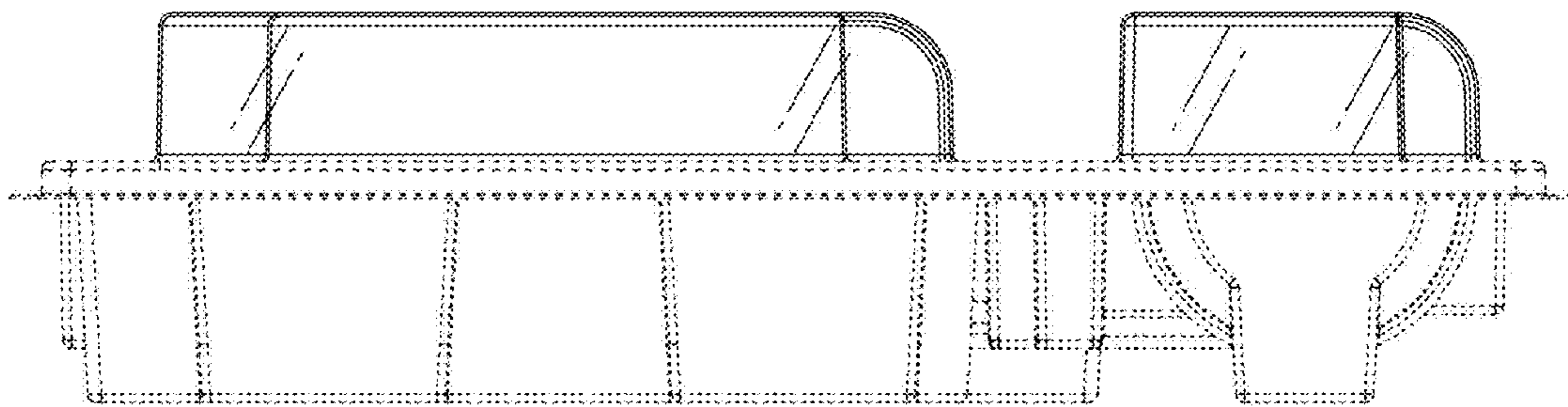


FIG. 7