



US00D820671S

(12) **United States Design Patent**
Yu

(10) **Patent No.:** **US D820,671 S**
(45) **Date of Patent:** **** Jun. 19, 2018**

- (54) **BALL PIN**
- (71) Applicant: **Wan-Sheng Yu**, Taipei (TW)
- (72) Inventor: **Wan-Sheng Yu**, Taipei (TW)
- (**) Term: **15 Years**
- (21) Appl. No.: **29/573,655**
- (22) Filed: **Aug. 9, 2016**
- (51) **LOC (11) Cl.** **08-08**
- (52) **U.S. Cl.**
USPC **D8/387; D15/7**
- (58) **Field of Classification Search**
USPC D8/349, 354, 387, 391, 393, 388, 499;
D24/112, 127, 128, 130; D21/698, 781,
D21/788; D15/7
CPC ... A63B 41/12; A63B 39/04; B29L 2031/759;
B29L 2031/7544; Y10T 137/3584
See application file for complete search history.

D722,866 S *	2/2015	Campbell	D8/331
D724,200 S *	3/2015	Brannon	D24/112
D740,328 S *	10/2015	Maw	D15/7
D751,704 S *	3/2016	Corydon	D24/130
2003/0004496 A1*	1/2003	Tanghoj	A61M 25/0009 604/544
2003/0171173 A1*	9/2003	Rudzki	A63B 41/00 473/569
2005/0173000 A1*	8/2005	Wang	F16K 15/205 137/223
2014/0216570 A1*	8/2014	Connors	F16K 15/207 137/230
2015/0129084 A1*	5/2015	Maw	A63B 41/12 141/329

* cited by examiner

Primary Examiner — Sandra S Snapp
Assistant Examiner — Ieisha N Price

(57) **CLAIM**

The ornamental design for a ball pin, as shown and described.

DESCRIPTION

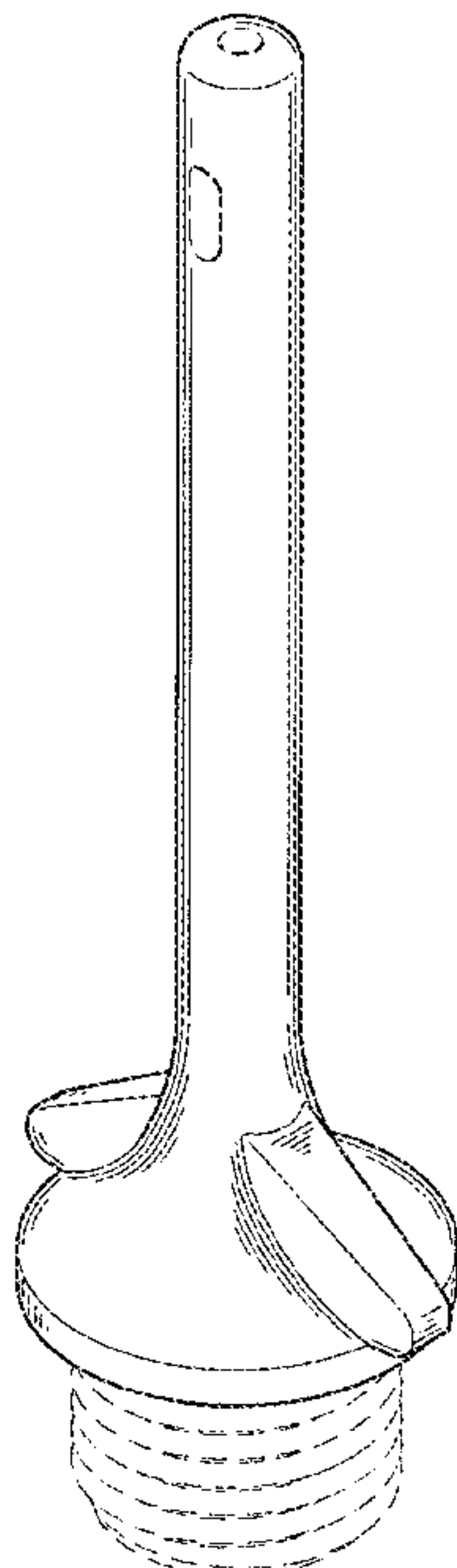
FIG. 1 is a perspective view showing my new design for a ball pin;
 FIG. 2 is a front elevation view thereof;
 FIG. 3 is a rear elevation view thereof;
 FIG. 4 is a left side elevation view thereof;
 FIG. 5 is a right side elevation view thereof;
 FIG. 6 is a top plan view thereof;
 FIG. 7 is a bottom plan view thereof; and,
 FIG. 8 is a perspective view showing the ball pin in upside down position.
 The portions of the screw thread shown in the ball pin in broken lines form no part of the claimed design.

1 Claim, 7 Drawing Sheets

(56) **References Cited**

U.S. PATENT DOCUMENTS

2,233,096 A *	2/1941	Goldsmith	F16K 15/202 137/223
D241,413 S *	9/1976	Drake	411/388
4,043,356 A *	8/1977	Morris	A63B 41/12 137/320
4,429,793 A *	2/1984	Ehmann	A61M 5/003 206/366
4,568,081 A *	2/1986	Martin	F16K 15/202 473/611
D357,313 S *	4/1995	Worrich	D24/112
D399,557 S *	10/1998	Hood	D24/112
D476,417 S *	6/2003	Swenson	D24/130
D630,734 S *	1/2011	Speiser	D24/133
D700,318 S *	2/2014	Amoah	D24/112



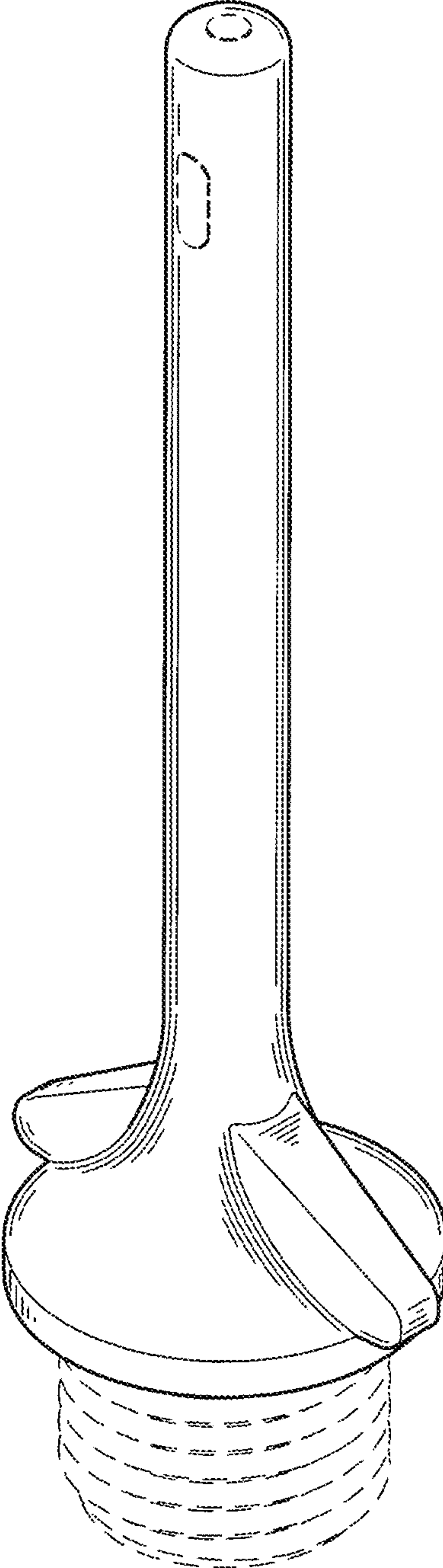


FIG.1

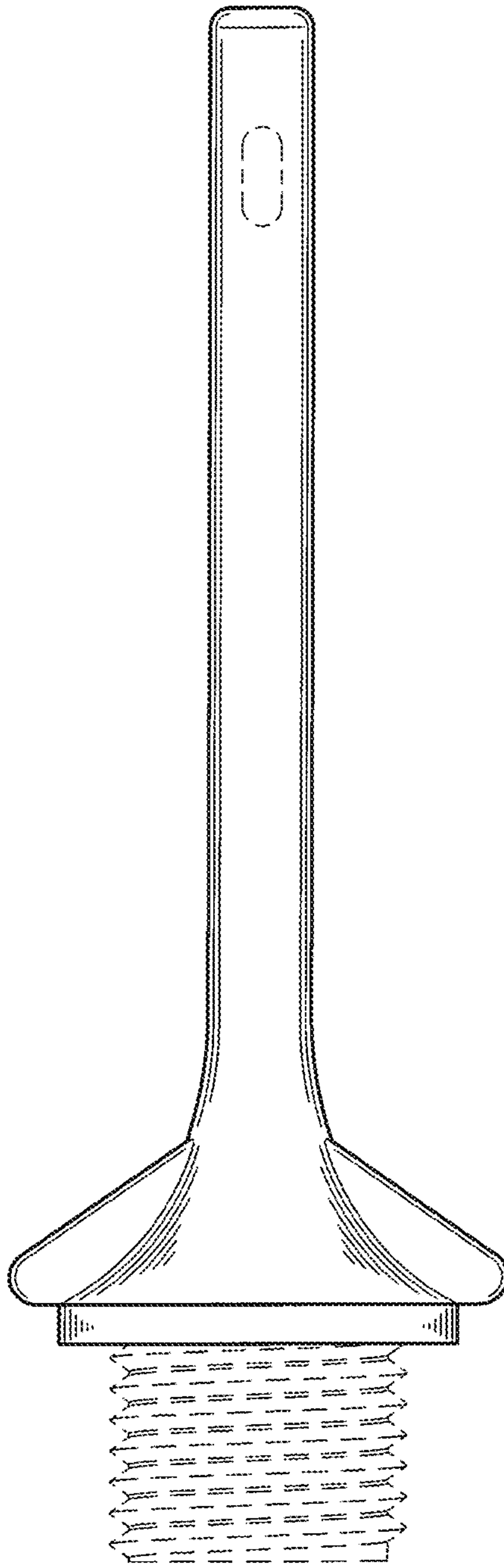


FIG.2

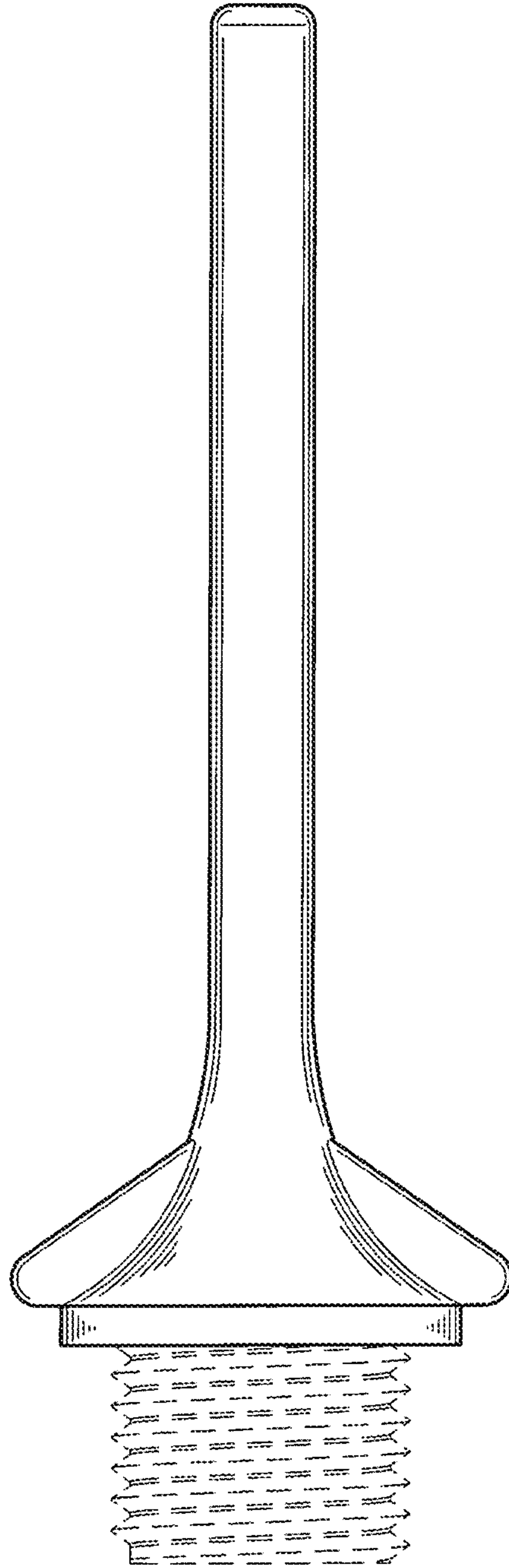


FIG.3

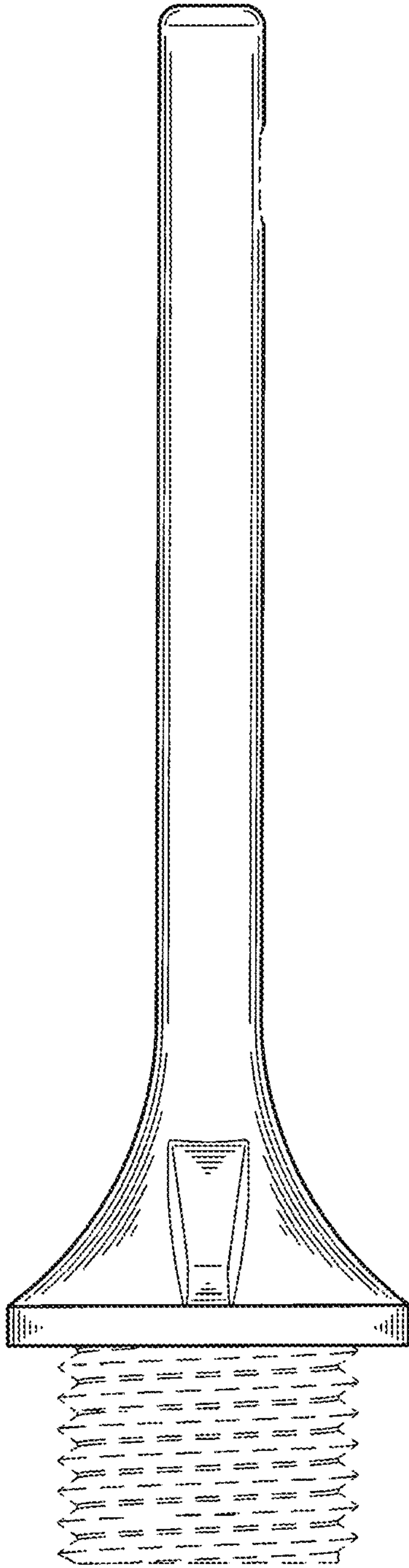


FIG. 4

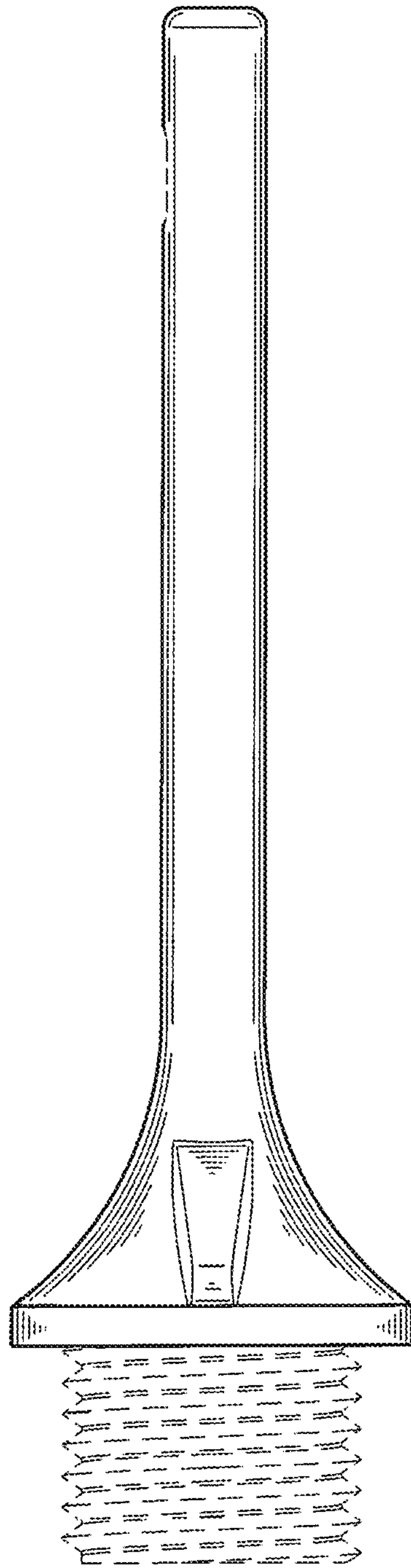


FIG. 5

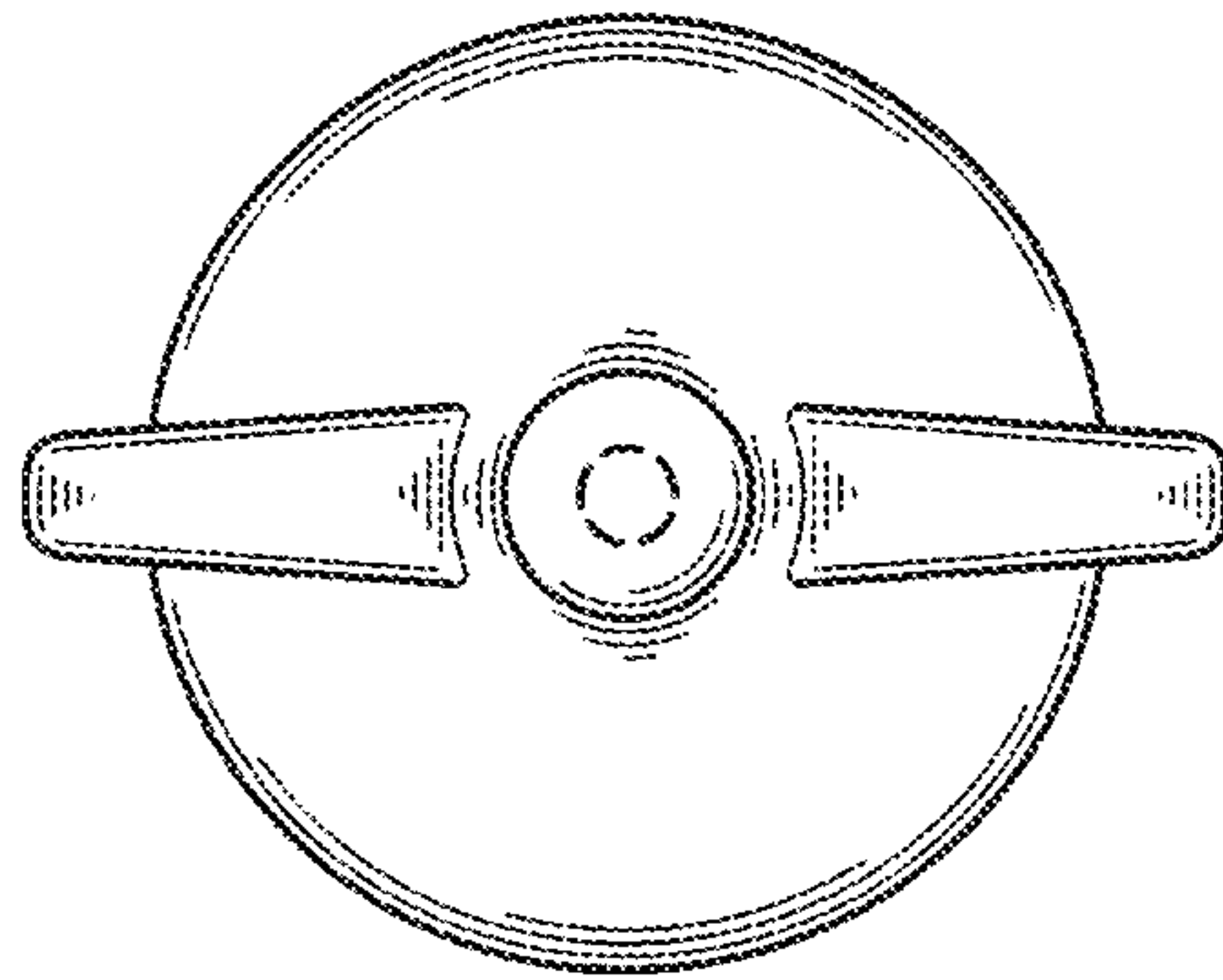


FIG. 6

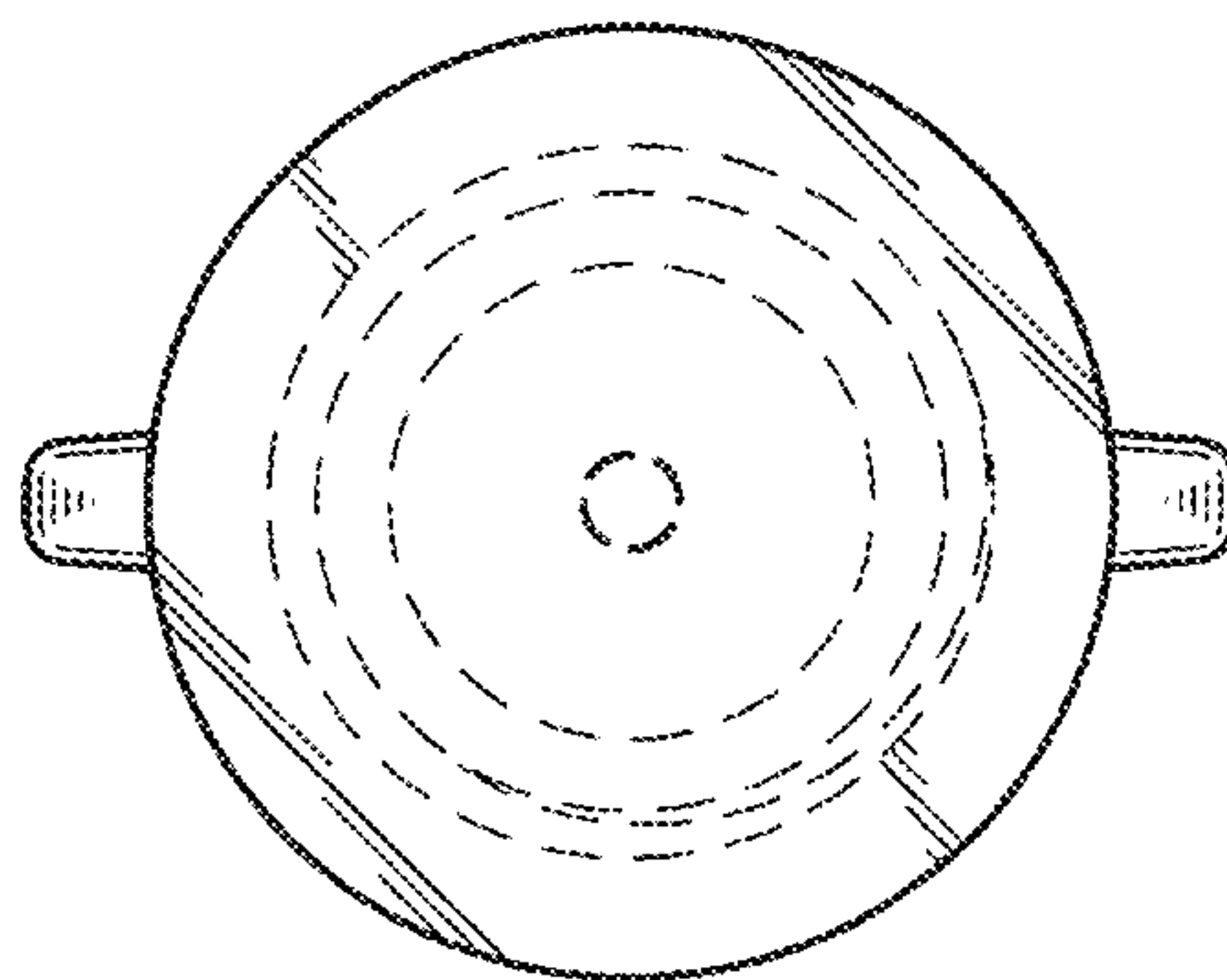


FIG. 7

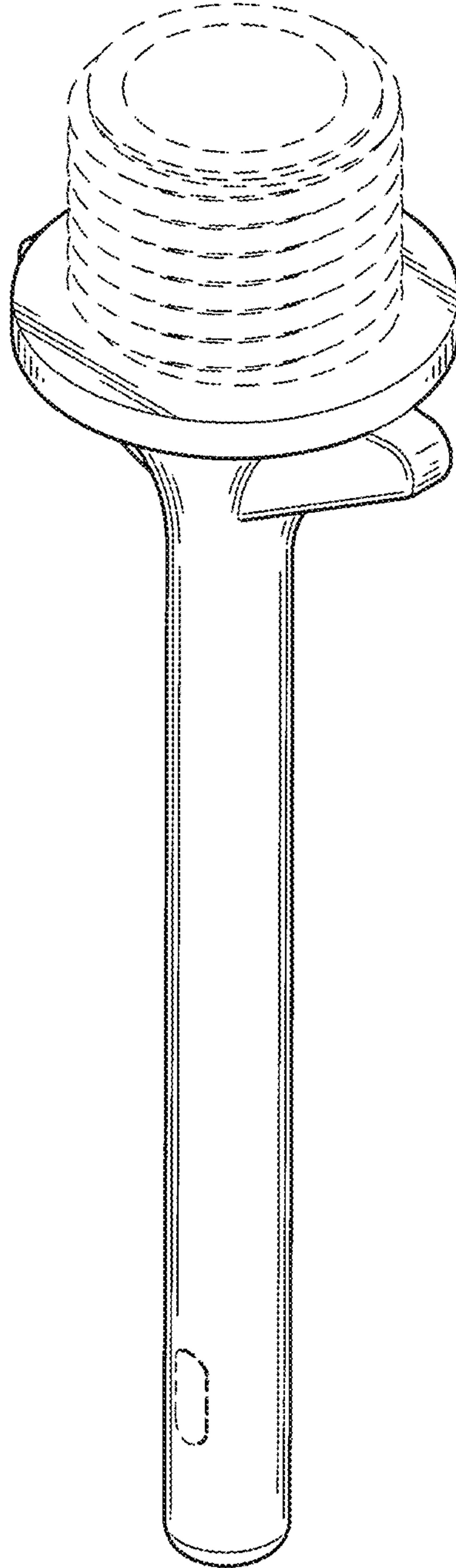


FIG.8