



US00D820670S

(12) **United States Design Patent**
Heindl

(10) **Patent No.:** **US D820,670 S**
(45) **Date of Patent:** **** Jun. 19, 2018**

(54) **SHEET PILE CONNECTOR**
(71) Applicant: **Richard Heindl**, Gräfelfing (DE)
(72) Inventor: **Richard Heindl**, Gräfelfing (DE)
(**) Term: **15 Years**
(21) Appl. No.: **29/588,000**
(22) Filed: **Dec. 16, 2016**

D543,101 S 5/2007 Heindl
7,527,456 B2 5/2009 Heindl
D621,248 S 8/2010 Heindl
D623,930 S 9/2010 Austro
D623,932 S 9/2010 Austro
D624,395 S 9/2010 Austro
D649,443 S * 11/2011 Heindl D8/382
D681,424 S * 5/2013 Heindl D8/382
D681,427 S * 5/2013 Heindl D8/382
D681,431 S 5/2013 Heindl
D704,769 S 5/2014 Penington
D790,330 S 6/2017 Heindl
D794,245 S * 8/2017 Klus D26/142

(30) **Foreign Application Priority Data**

Jun. 16, 2016 (EM) 003225721-0001

(51) **LOC (11) Cl.** **08-08**

(52) **U.S. Cl.**
USPC **D8/382**

(58) **Field of Classification Search**
USPC D8/382, 394, 395; D25/119
CPC E02D 5/02; E02D 5/04; E02D 5/06; E02D
5/08; E02D 5/12; Y10T 403/73
See application file for complete search history.

(56) **References Cited**

U.S. PATENT DOCUMENTS

3,225,407 A * 12/1965 Daniels D06C 3/04
160/392
D421,137 S * 2/2000 Marshall D25/119
6,428,244 B1 * 8/2002 Wall E02D 5/12
403/348
D471,083 S 3/2003 Wall
D471,793 S * 3/2003 Wall D25/119
D471,794 S * 3/2003 Wall D25/119
D541,642 S 5/2007 Heindl
D542,636 S 5/2007 Heindl
D542,643 S 5/2007 Heindl
D543,100 S 5/2007 Heindl

OTHER PUBLICATIONS

Notice of Allowance issued in co-pending U.S. Appl. No. 29/593,004 dated Nov. 9, 2017.

* cited by examiner

Primary Examiner — Sandra S Snapp
Assistant Examiner — Ieisha N Price
(74) *Attorney, Agent, or Firm* — Meunier Carlin & Curfman LLC

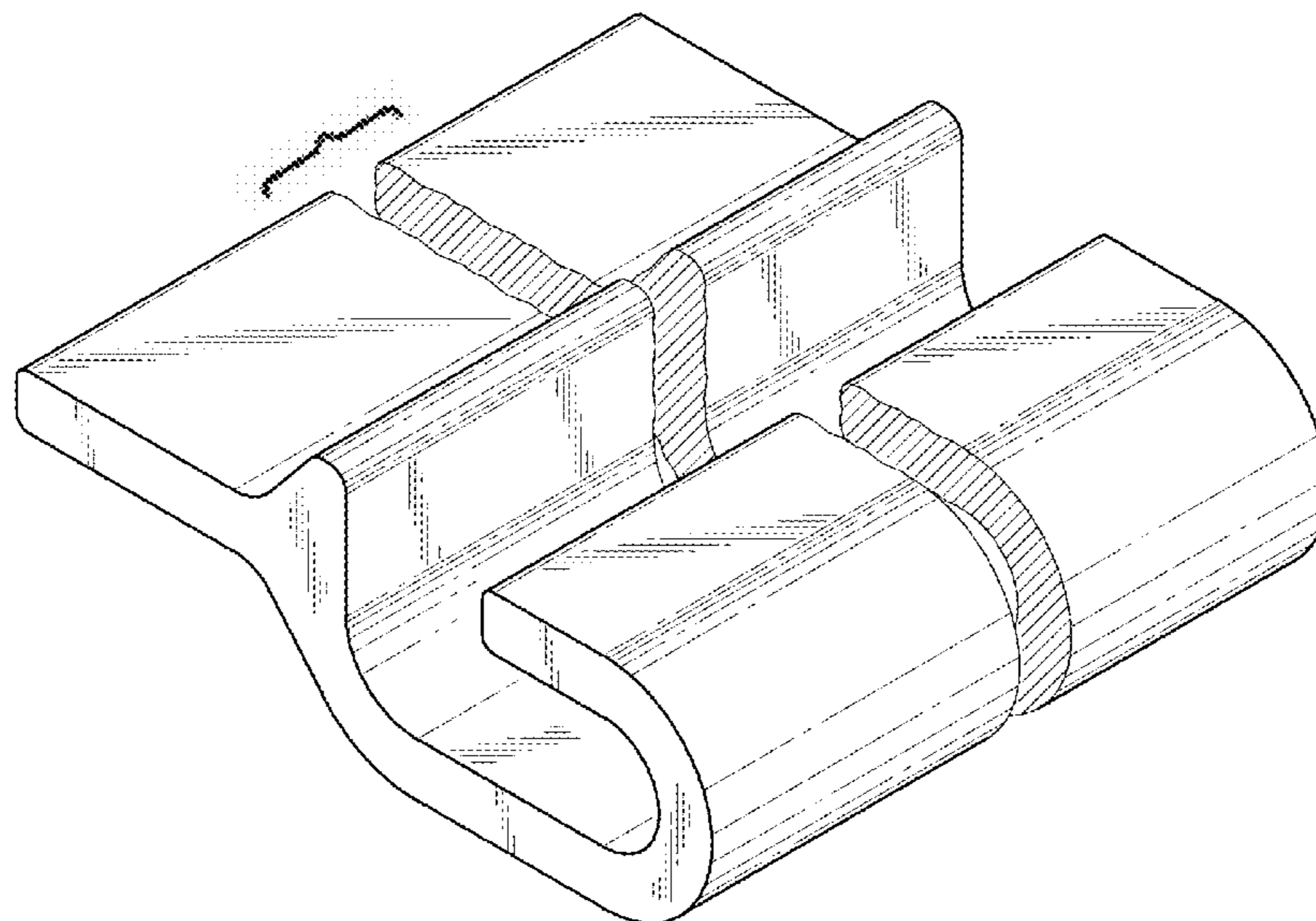
(57) **CLAIM**

The ornamental design for a sheet pile connector, as shown and described.

DESCRIPTION

FIG. 1 illustrates a perspective view of my design; and, FIG. 2 illustrates an end view of the design shown in FIG. 1.
All portions of the sheet pile connector located between the break lines form no part of the claimed design.

1 Claim, 2 Drawing Sheets



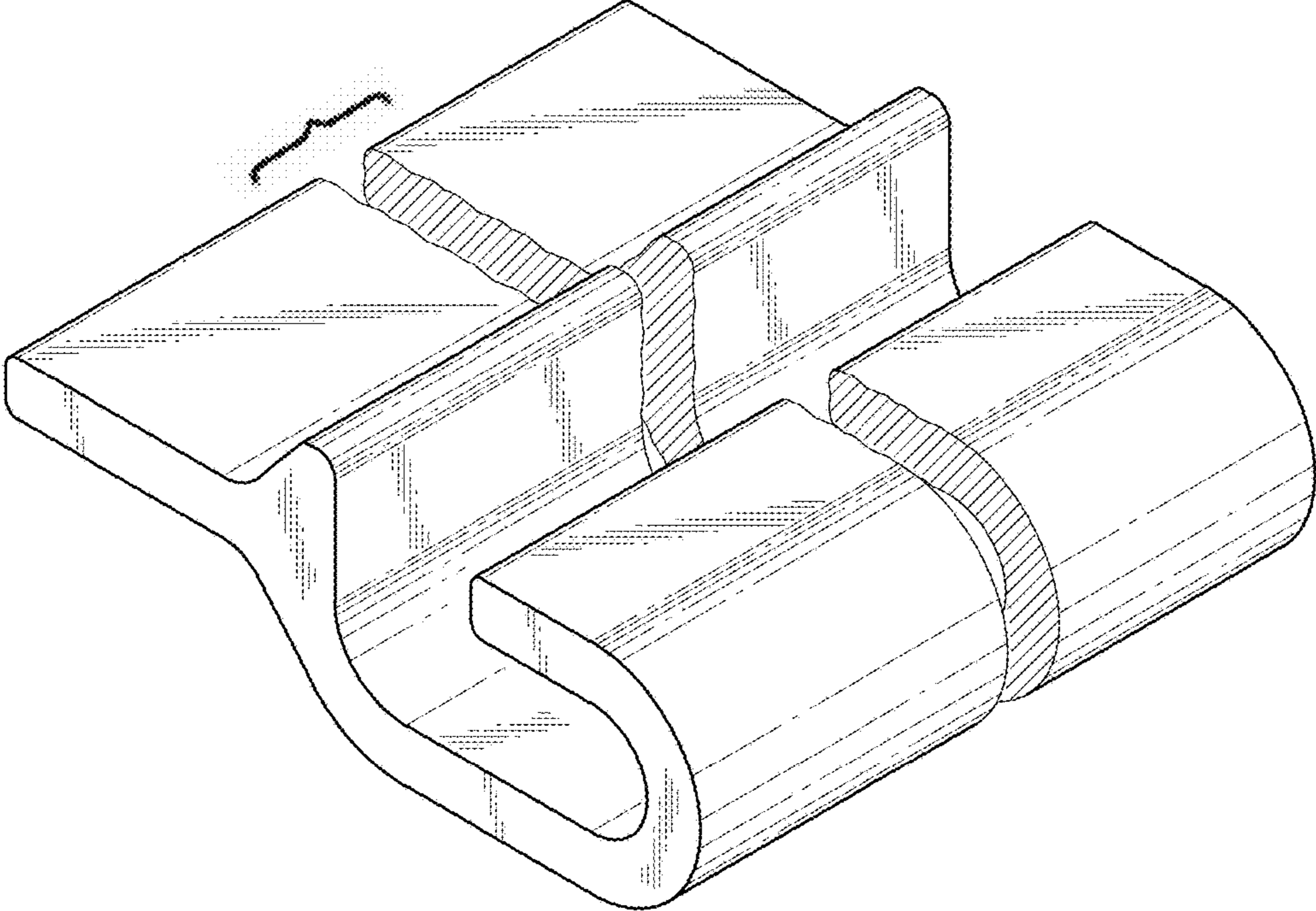


FIG. 1

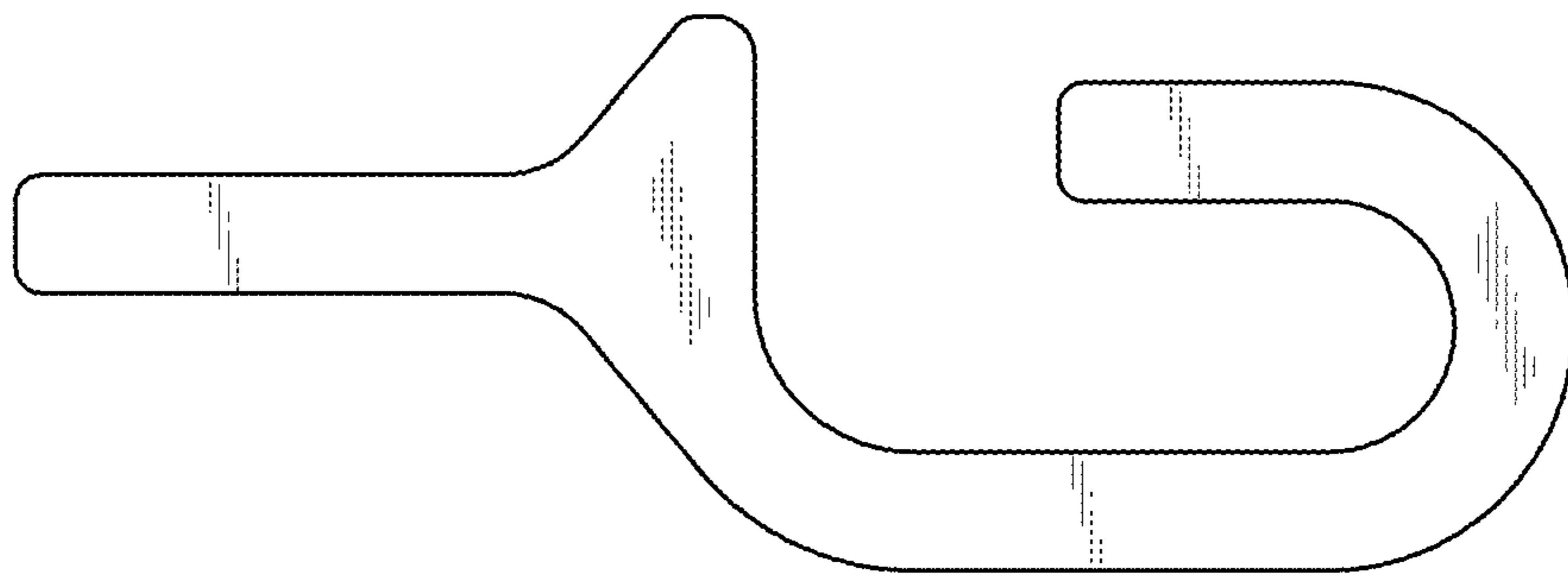


FIG. 2