



US00D820669S

(12) **United States Design Patent**
Weinschreider

(10) **Patent No.:** **US D820,669 S**

(45) **Date of Patent:** **** Jun. 19, 2018**

(54) **BED CORNER MOUNTS**

(71) Applicant: **SleepSafe Beds, LLC**, Bassett, VA
(US)

(72) Inventor: **Gregg Weinschreider**, Rocky Mount,
VA (US)

(**) Term: **15 Years**

(21) Appl. No.: **29/539,380**

(22) Filed: **Sep. 14, 2015**

(51) **LOC (11) Cl.** **08-05**

(52) **U.S. Cl.**
USPC **D8/374**

(58) **Field of Classification Search**
USPC D6/325, 327, 392, 718, 717; D8/374,
D8/403, 373, 366
CPC A47B 96/022; A47B 96/06; A47B
2230/0062; A47B 49/00; A47B 96/027;
A47B 2230/007; A47B 47/042; A47B
57/26; A47B 96/024; A47B 96/07; F16B
12/46; F16B 12/50; Y10T 403/4602;
E04B 2002/867; E04B 2002/725
See application file for complete search history.

(56) **References Cited**

U.S. PATENT DOCUMENTS

4,120,600 A * 10/1978 Rees F16B 12/46
403/231
D356,946 S * 4/1995 Rezac D8/403
D357,405 S * 4/1995 Philippi D6/567

D415,677 S * 10/1999 Cheung D8/403
D481,304 S * 10/2003 Drake D8/403
D622,586 S * 8/2010 Turnbull D8/403
D704,045 S * 5/2014 Lavelle D8/403
D709,360 S * 7/2014 Lavelle D8/403
2011/0168859 A1* 7/2011 Baruch A47B 96/022
248/241

* cited by examiner

Primary Examiner — Janice Hallmark

Assistant Examiner — Eliza Z Bennett-Hattan

(74) *Attorney, Agent, or Firm* — Charles S. Sara; DeWitt
Ross & Stevens S.C.

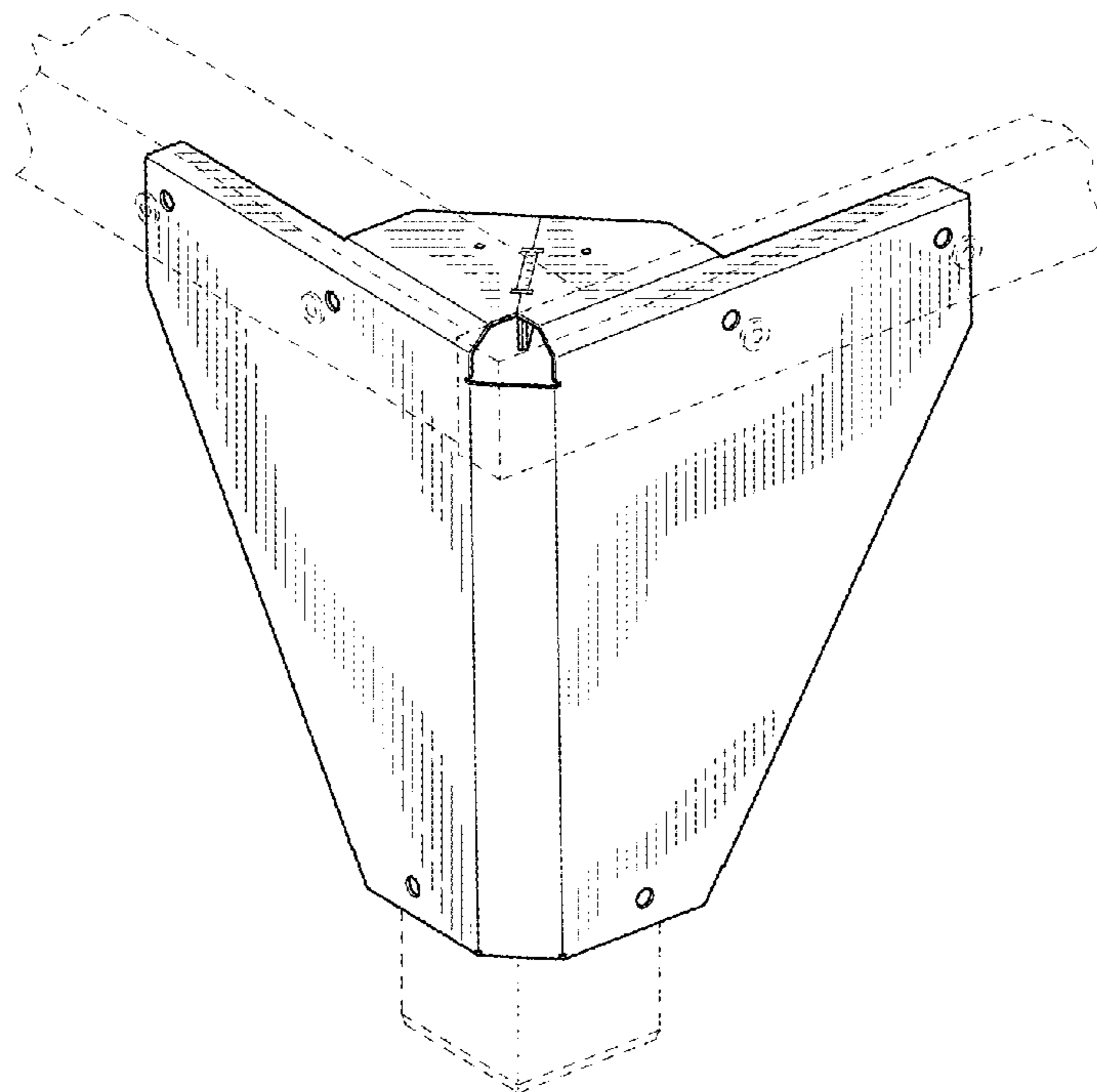
(57) **CLAIM**

The ornamental design for a bed corner mount, as shown and
described.

DESCRIPTION

FIG. 1 is a front perspective view of the bed corner mount
showing our design;
FIG. 2 is a front elevational view thereof;
FIG. 3 is a rear elevational view thereof;
FIG. 4 is a top plan view thereof;
FIG. 5 is a bottom plan view thereof;
FIG. 6 is a right side elevational view thereof;
FIG. 7 is a left side elevational view thereof; and,
FIG. 8 is an alternative rear elevational view thereof.
The broken lines shown in the drawings are included for
purpose of illustrating environmental structure and form no
part of the claimed design.

1 Claim, 5 Drawing Sheets



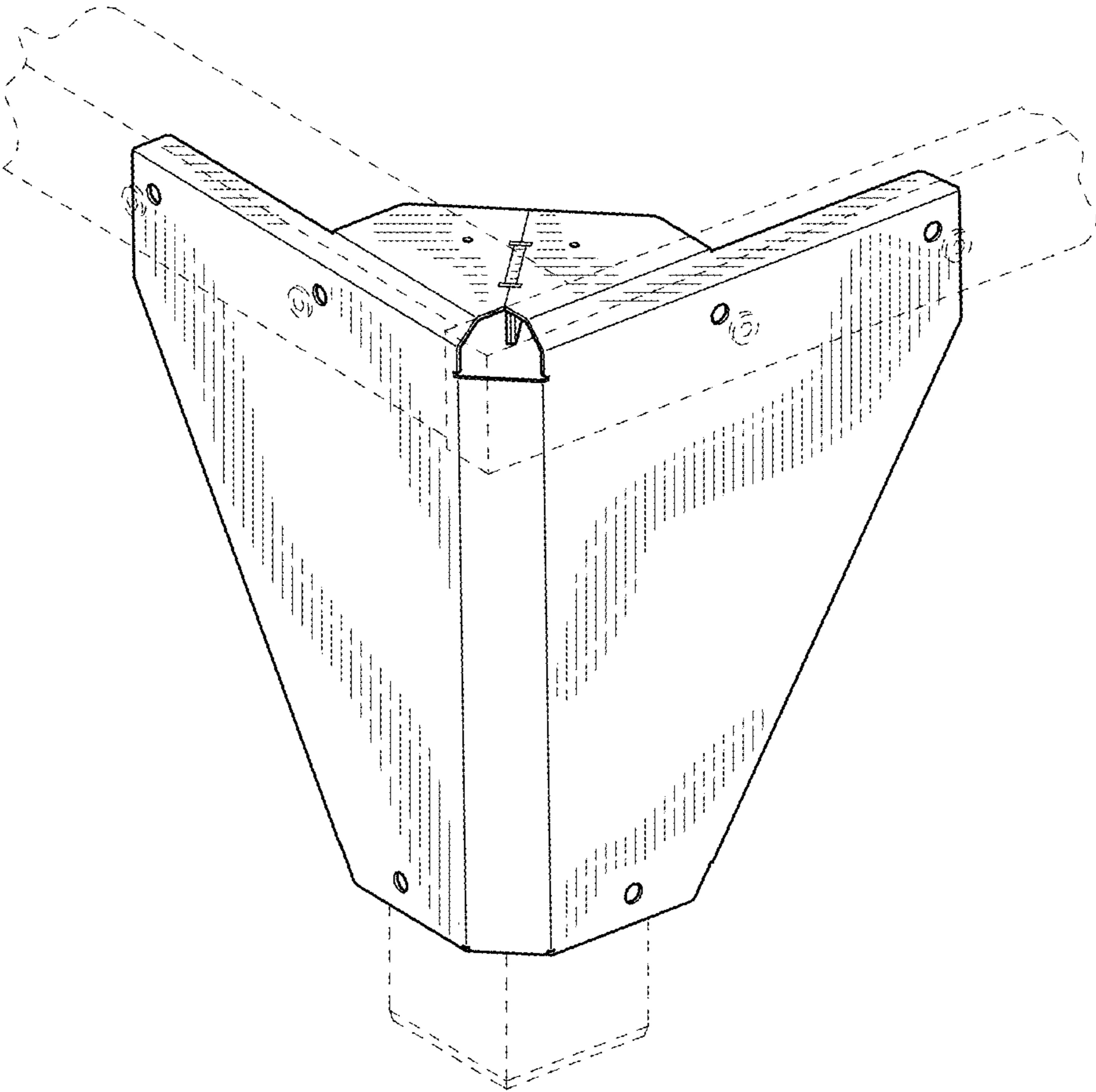


FIG. 1

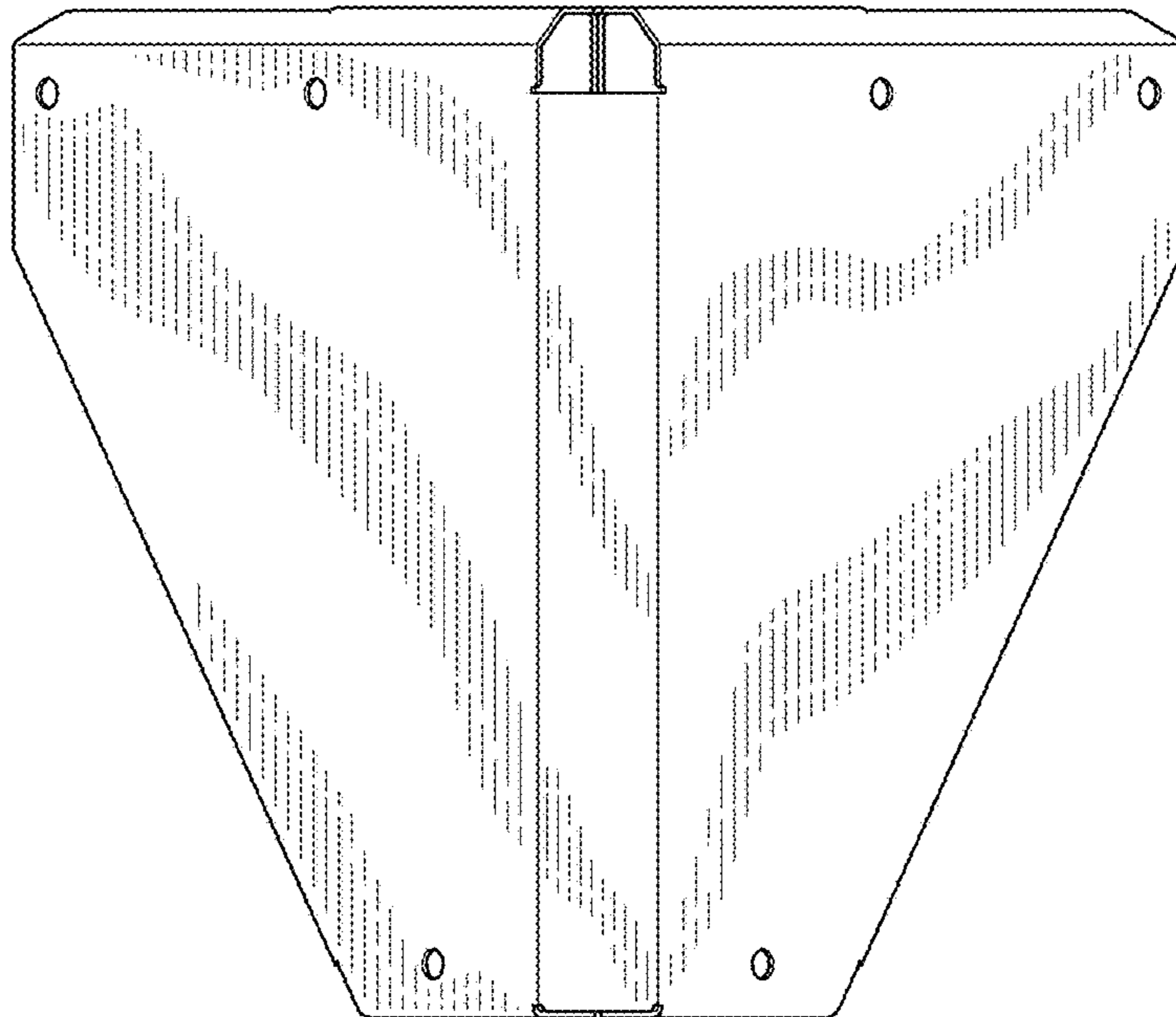


FIG. 2

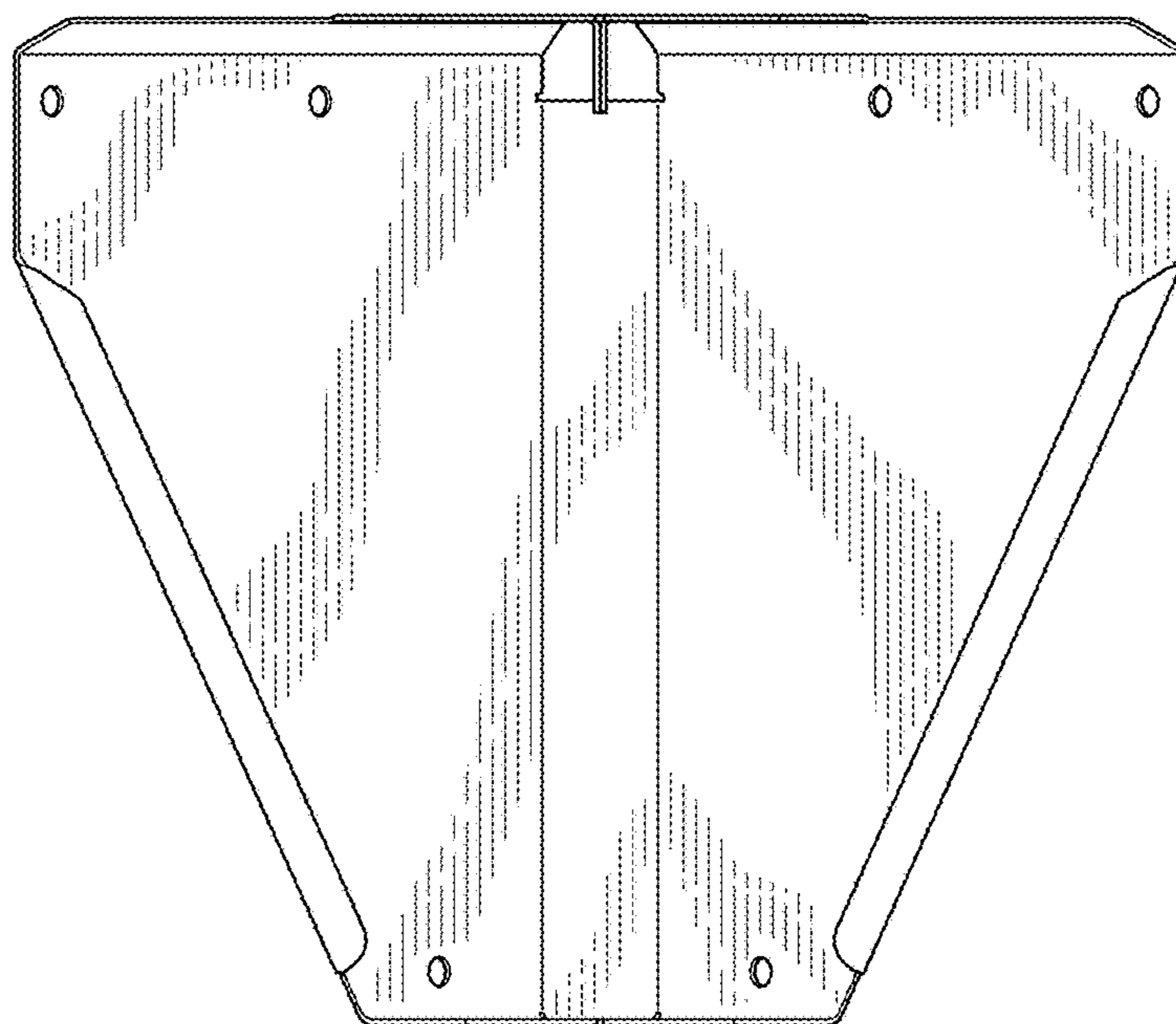


FIG. 3

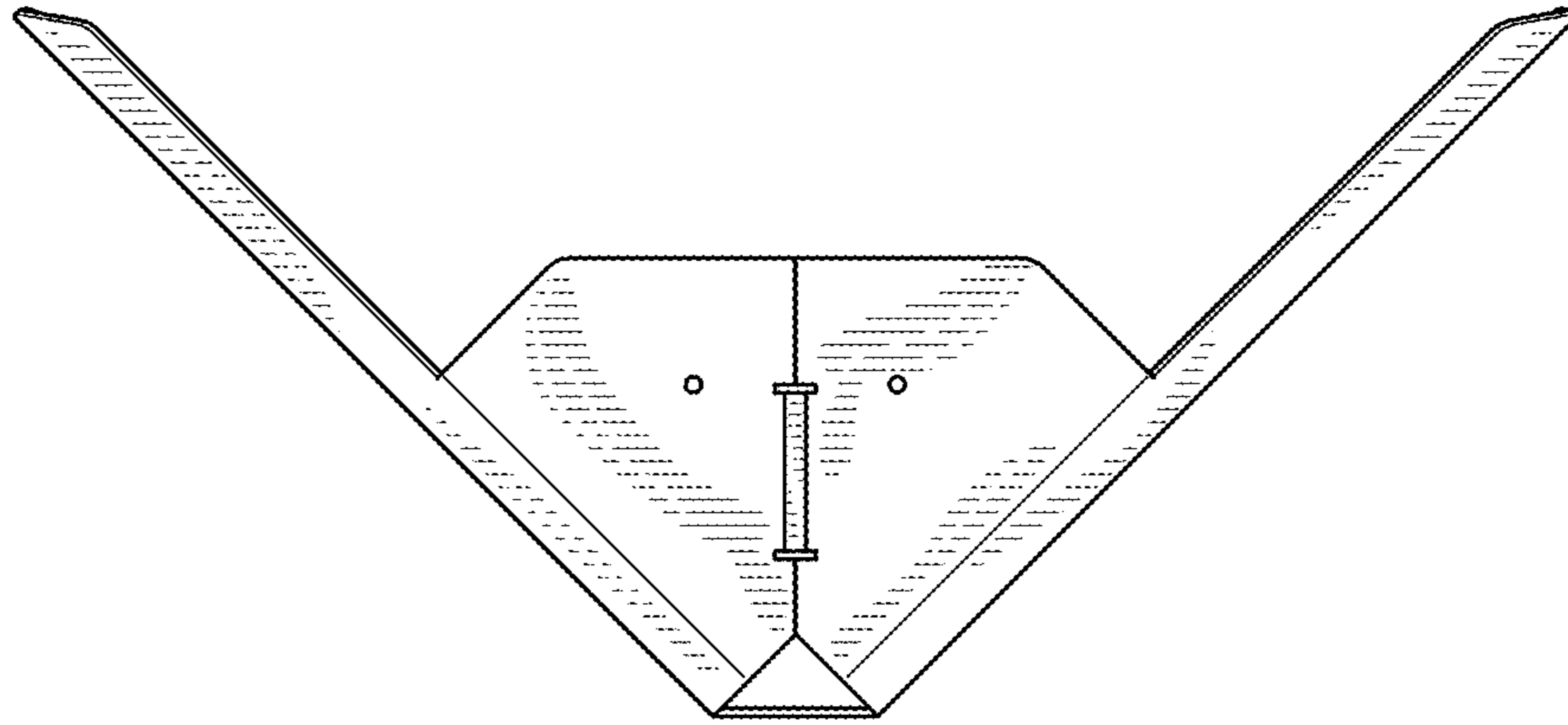


FIG. 4

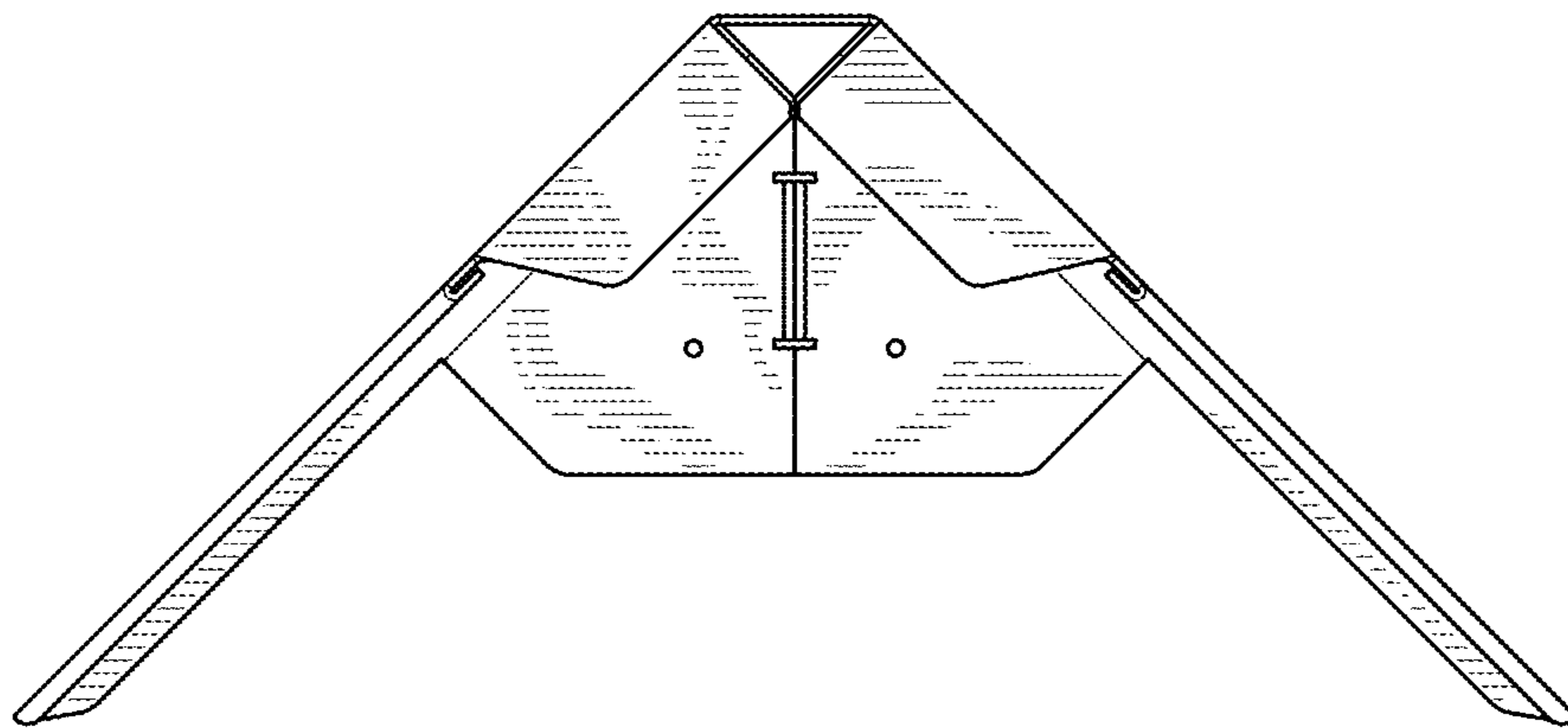


FIG. 5

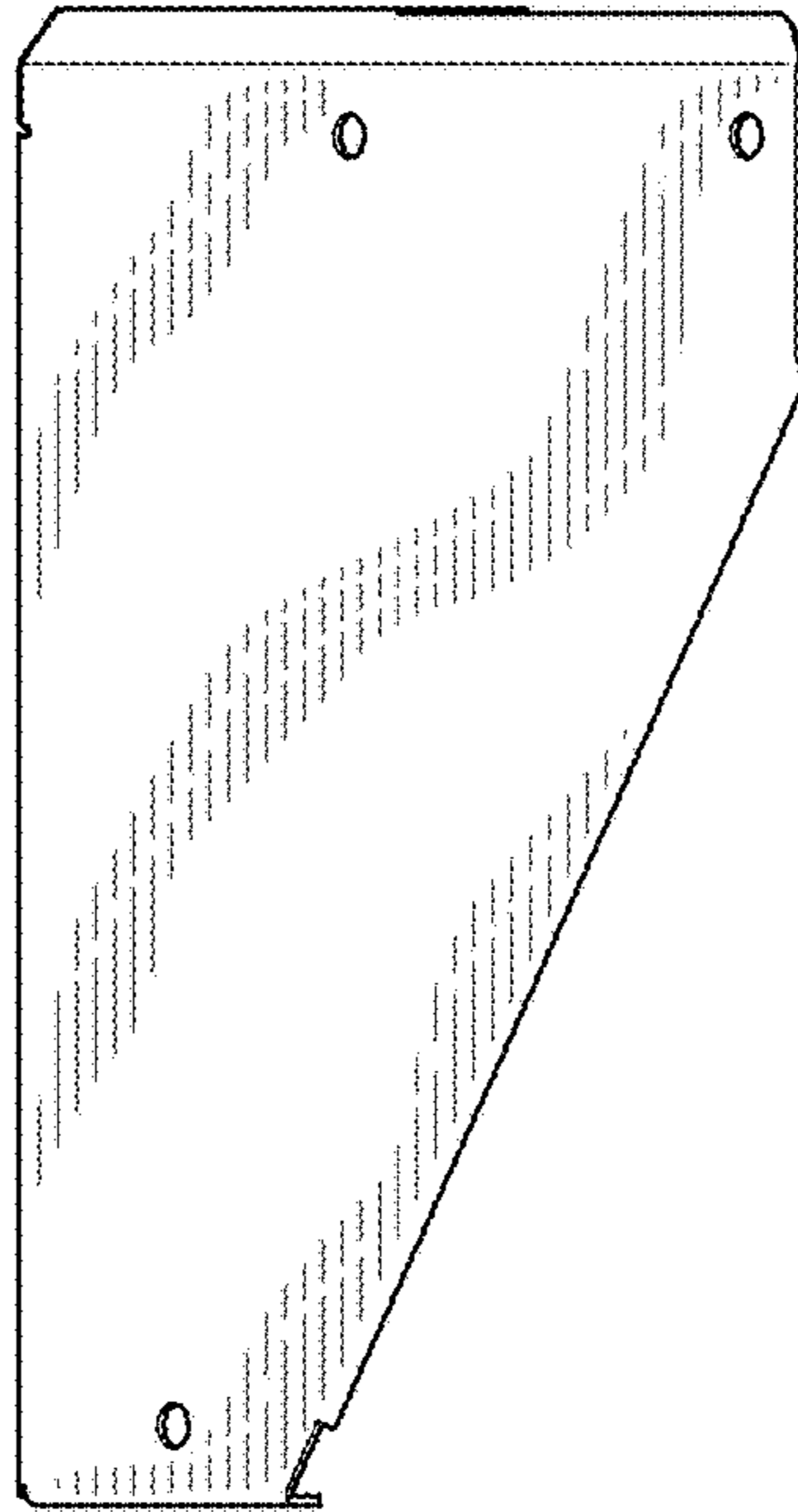


FIG. 6

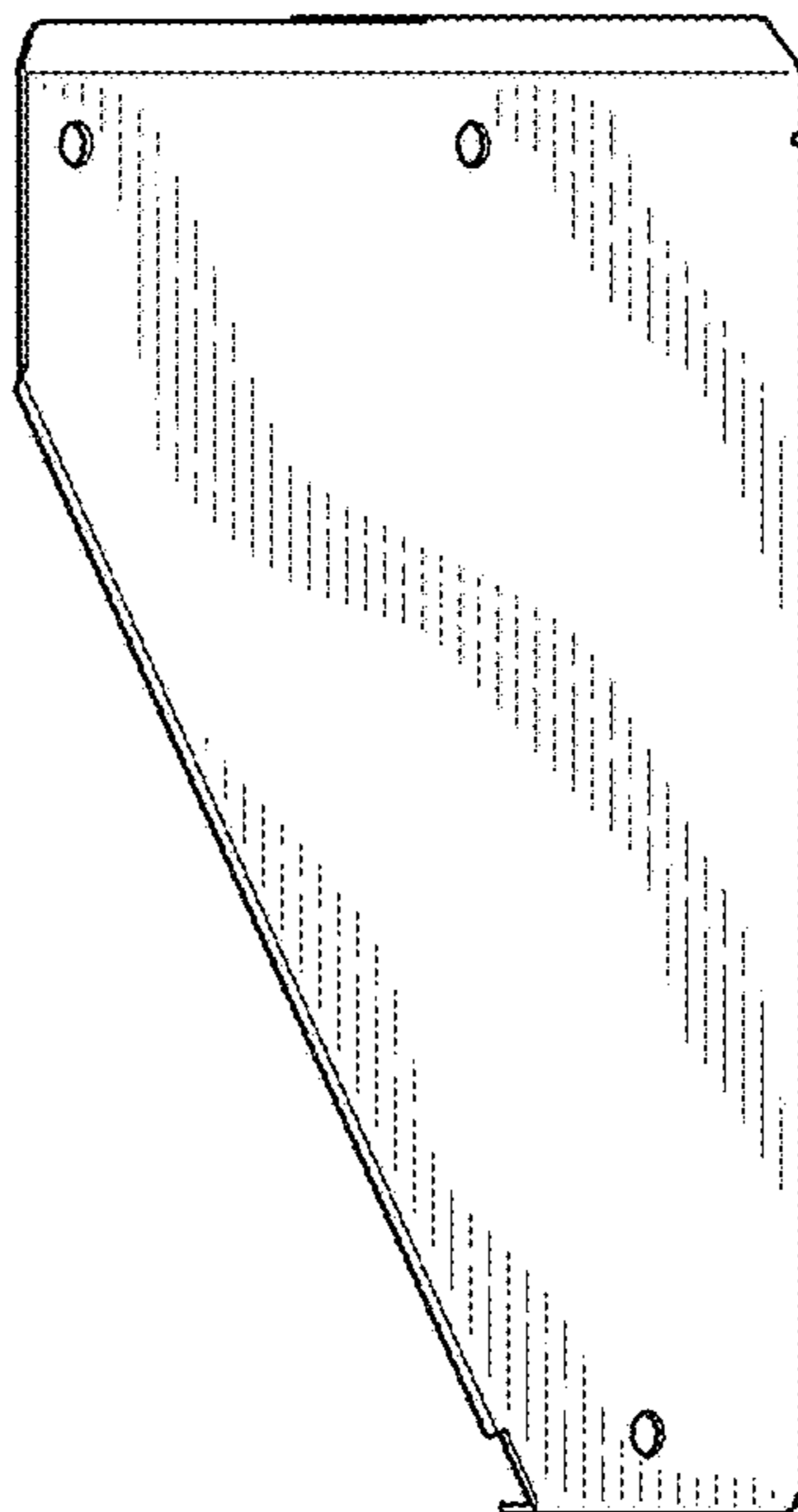


FIG. 7

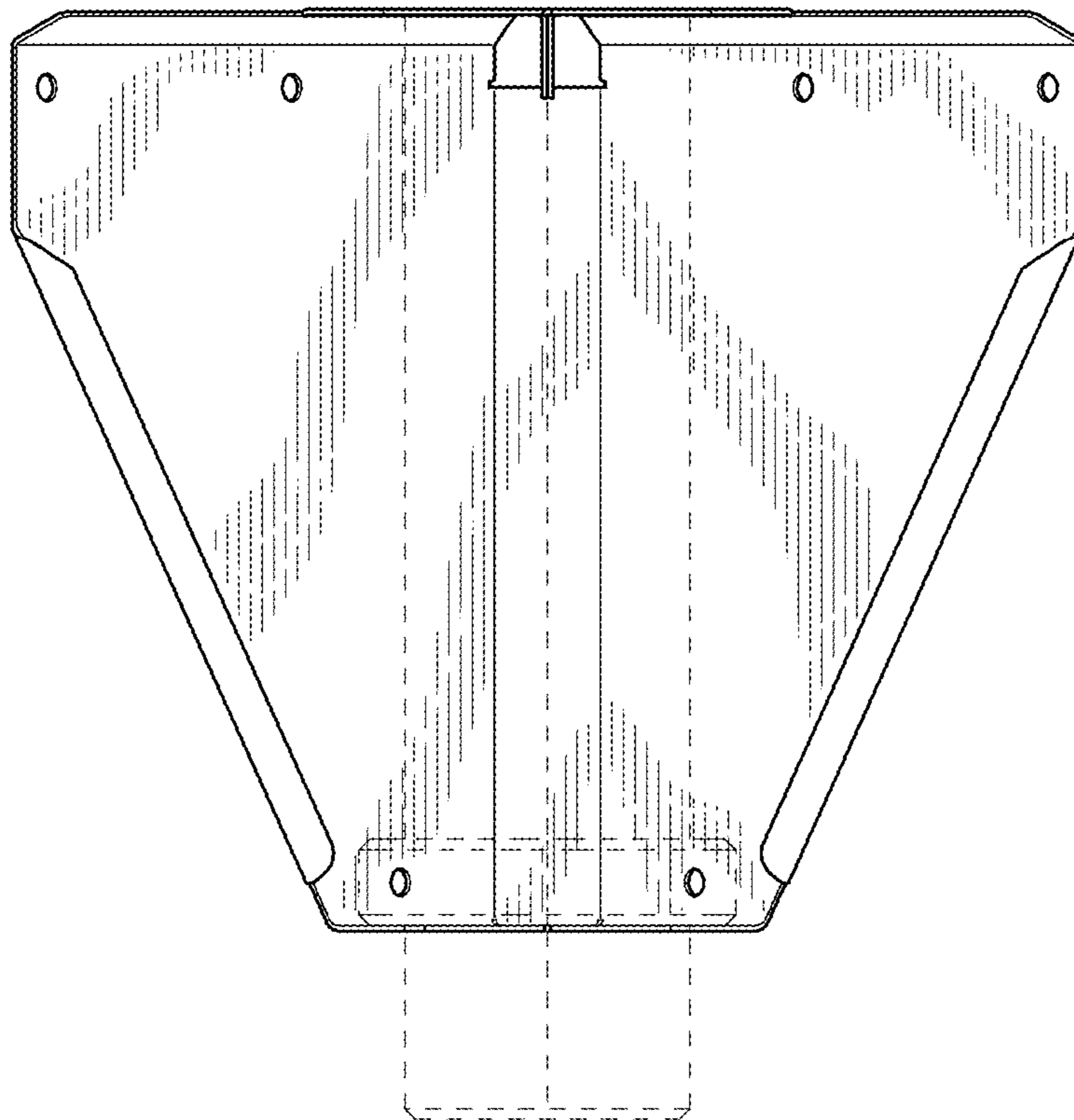


FIG. 8