



US00D820667S

(12) **United States Design Patent**
Sugiyama

(10) **Patent No.:** **US D820,667 S**
(45) **Date of Patent:** **** Jun. 19, 2018**

(54) **CLIP**

4,788,751 A * 12/1988 Shely B65D 63/1072
24/16 PB
5,628,348 A * 5/1997 Scott B65B 13/027
140/123.5
5,836,053 A * 11/1998 Davignon F16L 3/233
24/16 PB

(71) Applicant: **DAIWA KASEI KOGYO**
KABUSHIKI KAISHA, Aichi-ken (JP)

(72) Inventor: **Takahiro Sugiyama**, Aichi-ken (JP)

(Continued)

(73) Assignee: **DAIWA KASEI KOGYO**
KABUSHIKI KAISHA, Aichi-ken (JP)

FOREIGN PATENT DOCUMENTS

(**) Term: **15 Years**

JP 5008982 B2 8/2012

Primary Examiner — Cynthia R Underwood

(21) Appl. No.: **29/607,120**

(74) *Attorney, Agent, or Firm* — Christensen, Fonder,
Dardi & Herbert PLLC

(22) Filed: **Jun. 9, 2017**

(57) **CLAIM**

The ornamental design for a clip, as shown and described.

(30) **Foreign Application Priority Data**

DESCRIPTION

Dec. 13, 2016 (JP) 2016-026963

(51) **LOC (11) Cl.** **09-06**

(52) **U.S. Cl.**
USPC **D8/356**

(58) **Field of Classification Search**
USPC D8/356, 354, 349; 381/384
CPC E02D 5/803; B63B 21/045; B63B 59/02;
B60D 1/18; B60P 7/0823; A44B 13/0029;
Y10T 24/3918

See application file for complete search history.

FIG. 1 is a perspective view viewed from the top of the clip;
FIG. 2 is a perspective view viewed from the bottom thereof;
FIG. 3 is a front elevation view thereof;
FIG. 4 is a left side elevation view thereof;
FIG. 5 is a right side elevation view thereof;
FIG. 6 is a top plan view thereof;
FIG. 7 is a bottom plan view thereof;
FIG. 8 is an enlarged view of portion 8-8 of FIG. 1 thereof;
FIG. 9 is an enlarged view of portion 9-9 of FIG. 2 thereof;
FIG. 10 is an enlarged view of portion 10-10 of FIG. 3
thereof;
FIG. 11 is an enlarged view of portion 11-11 of FIG. 6
thereof;
FIG. 12 is an enlarged view of portion 12-12 of FIG. 7
thereof; and,
FIG. 13 is a sectional view taken along line 13-13 of FIG.
11 thereof.

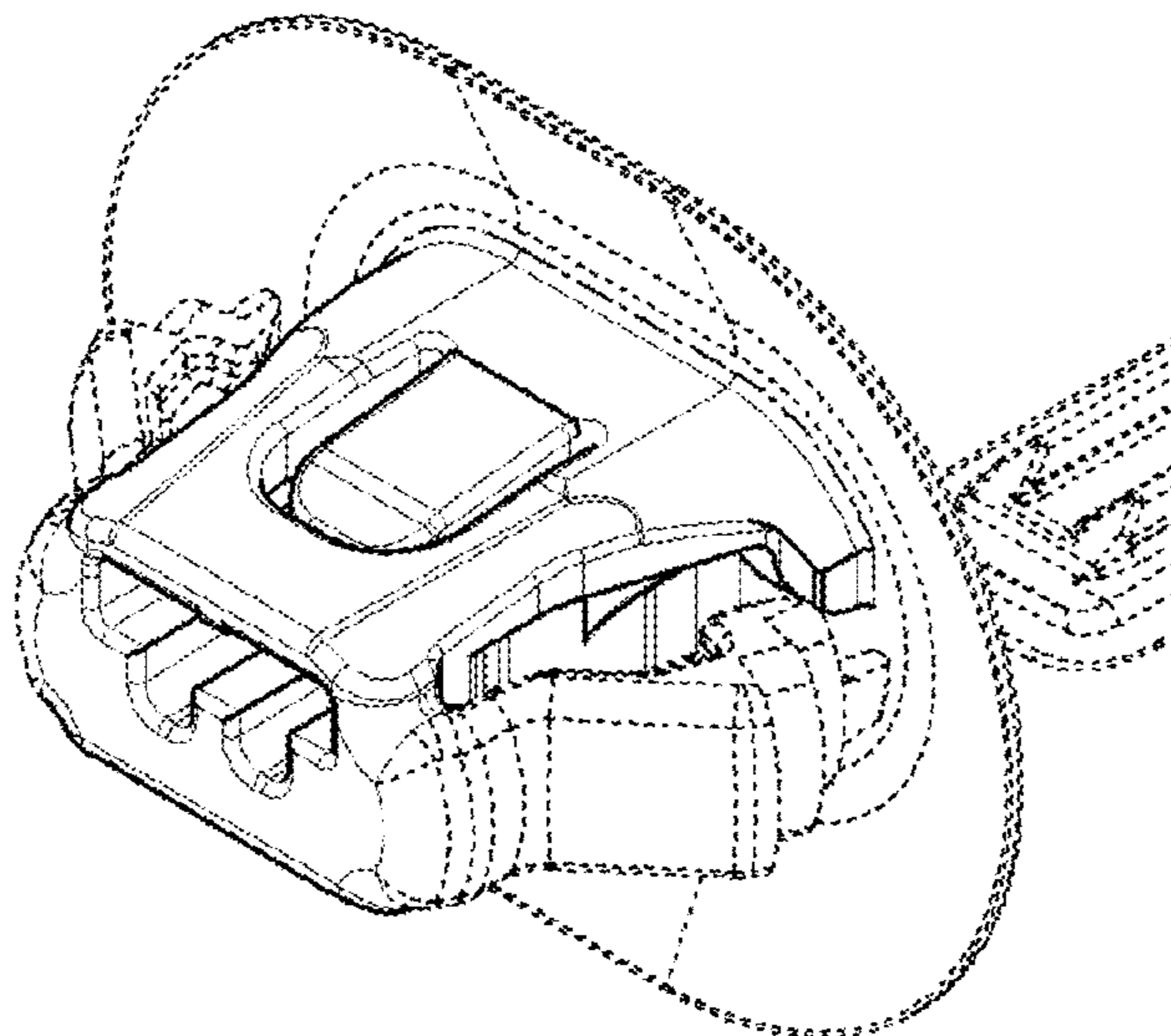
(56) **References Cited**

U.S. PATENT DOCUMENTS

4,287,644 A * 9/1981 Durand F16L 3/2334
24/16 PB
4,347,648 A * 9/1982 Dekkers B65D 63/1063
24/16 PB
4,754,529 A * 7/1988 Paradis B29C 45/0055
24/16 PB

The broken lines illustrated in the drawings, i.e. every
portion aside from the buckle to insert the belt, are the
unclaimed portions of the clip, and form no part of the
claimed design.

1 Claim, 5 Drawing Sheets



(56)

References Cited

U.S. PATENT DOCUMENTS

6,079,657 A * 6/2000 Hwang B65H 75/406
191/12.4
6,105,210 A * 8/2000 Benoit B65D 63/1063
24/16 PB
6,430,783 B1 * 8/2002 Benoit B65D 63/1063
24/16 PB
6,497,258 B1 * 12/2002 Flannery B65D 63/1063
140/123.6
D614,941 S * 5/2010 Murphy D8/387
D619,887 S * 7/2010 Colton D8/396
D698,632 S * 2/2014 Wang D8/383
D700,826 S * 3/2014 Qin D8/367
8,739,387 B1 * 6/2014 Frishberg F16L 3/2332
140/93 A
D728,351 S * 5/2015 Martinson D8/373
D728,352 S * 5/2015 Martinson D8/373
D749,409 S * 2/2016 Martinson D8/396
D769,704 S * 10/2016 Nitta D8/387
2008/0093511 A1 4/2008 Wakabayashi
2016/0355243 A1 * 12/2016 Hynes B63B 59/02
2017/0327194 A1 * 11/2017 Zimmerman F16M 13/02

* cited by examiner

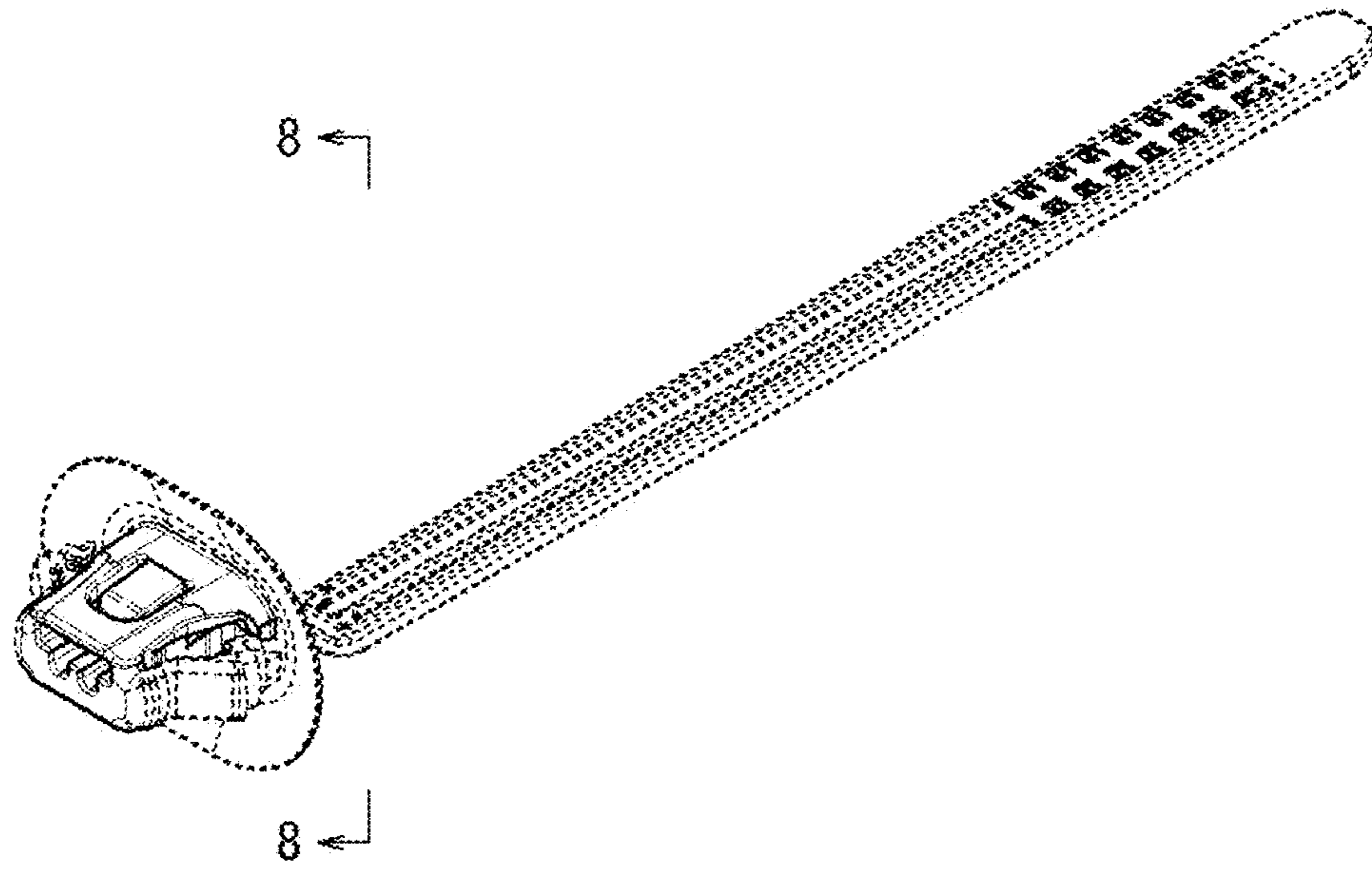


FIG. 1

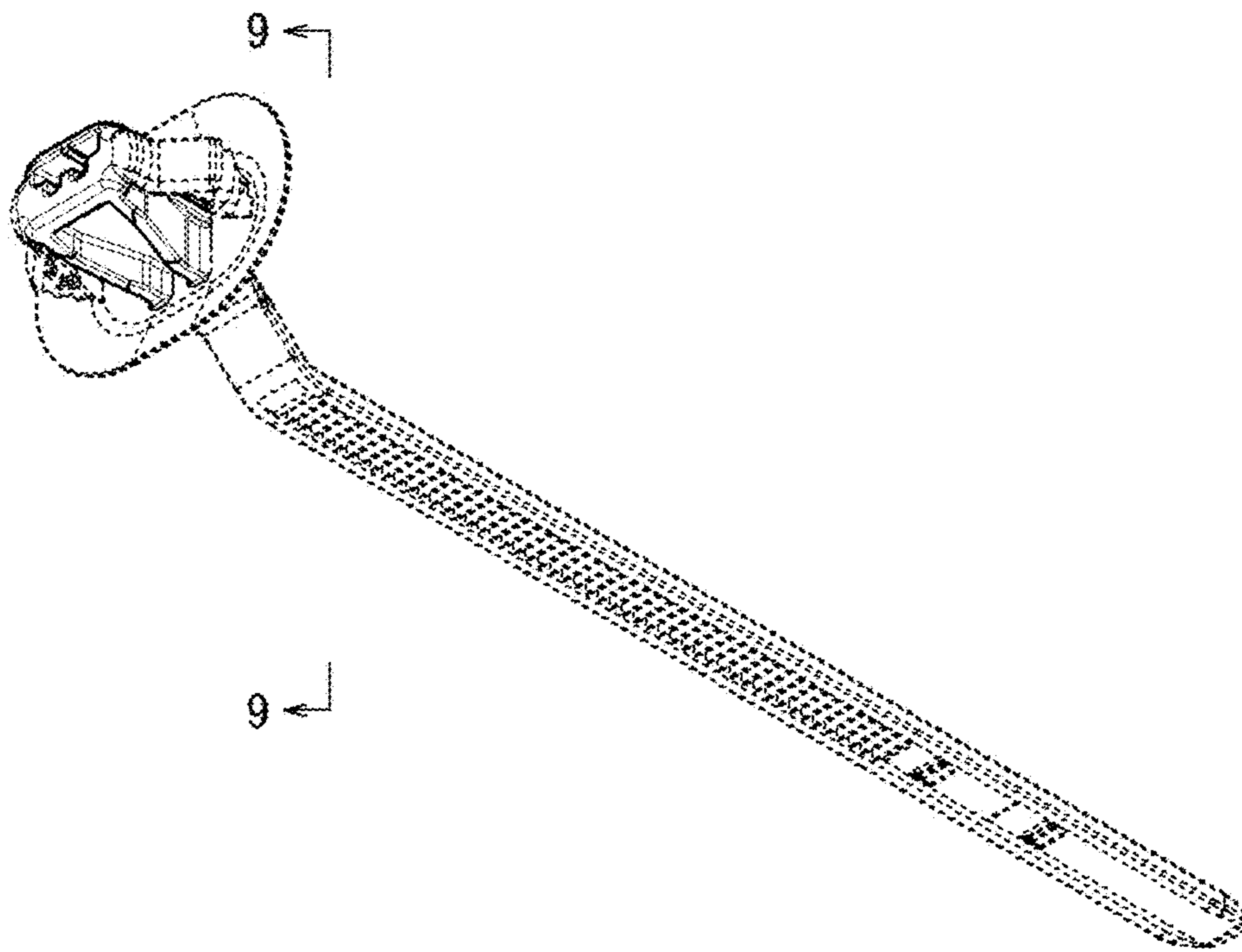
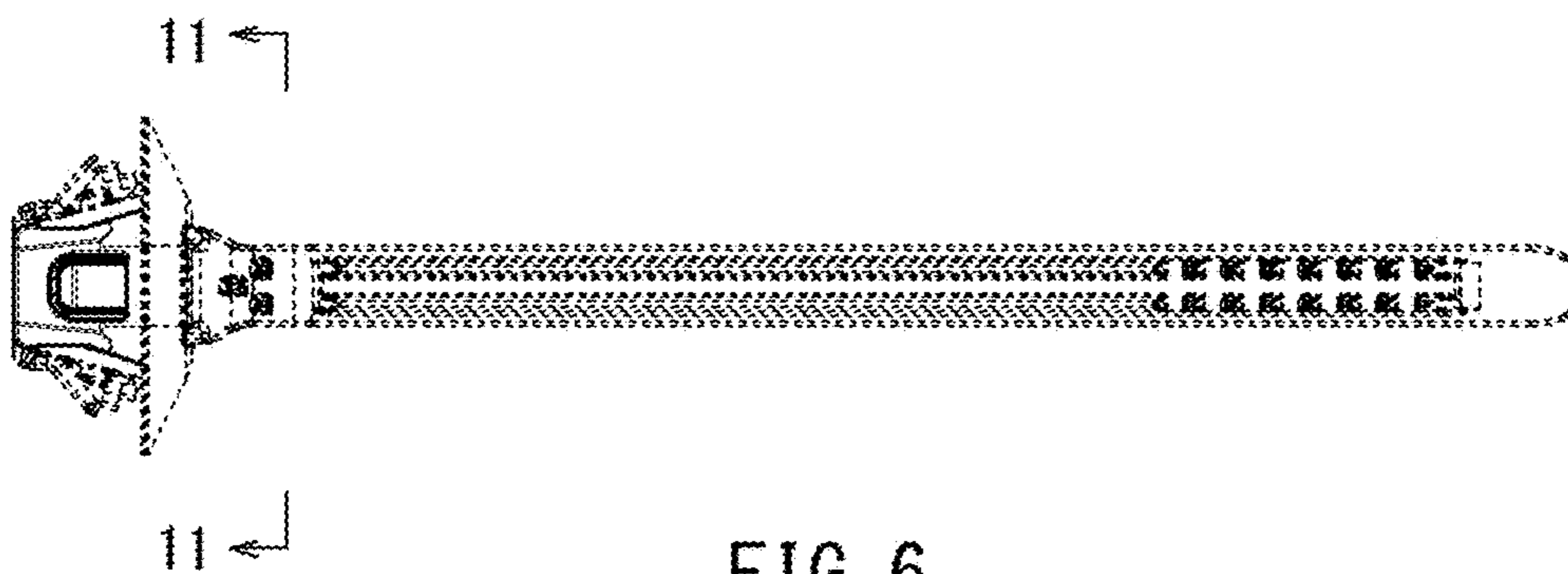
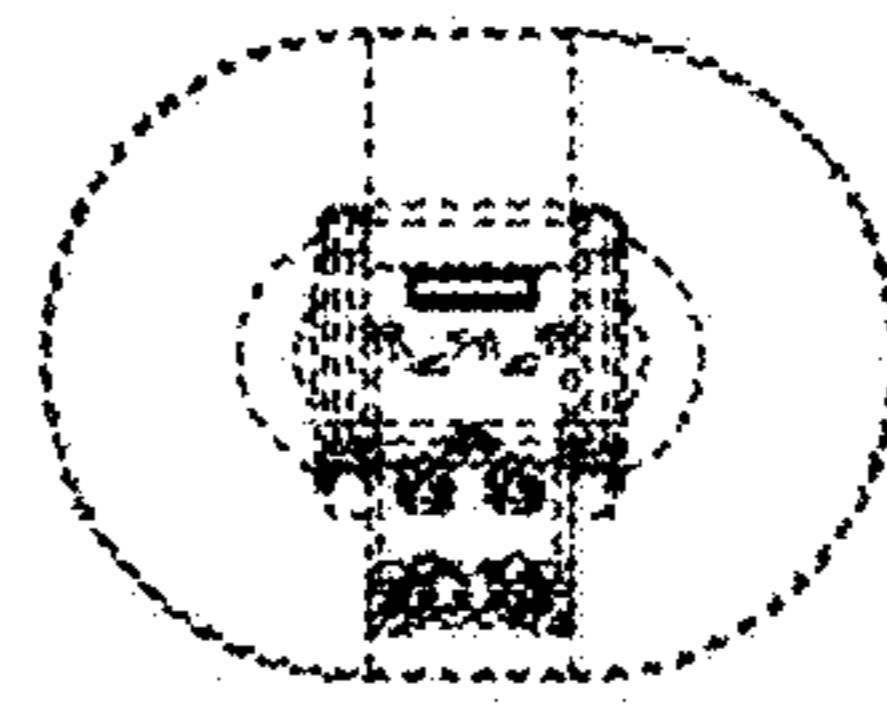
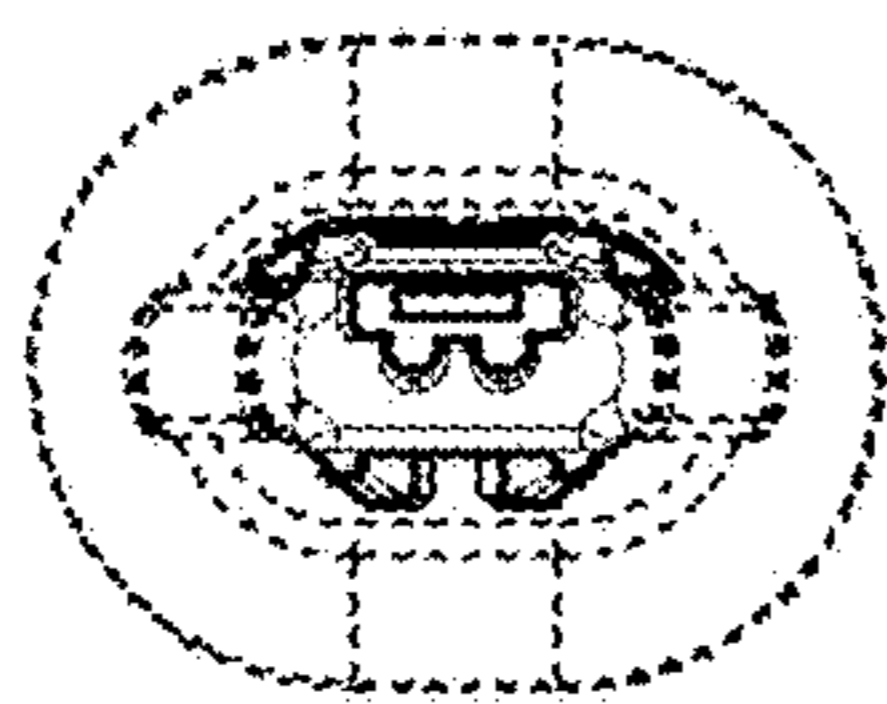


FIG. 2



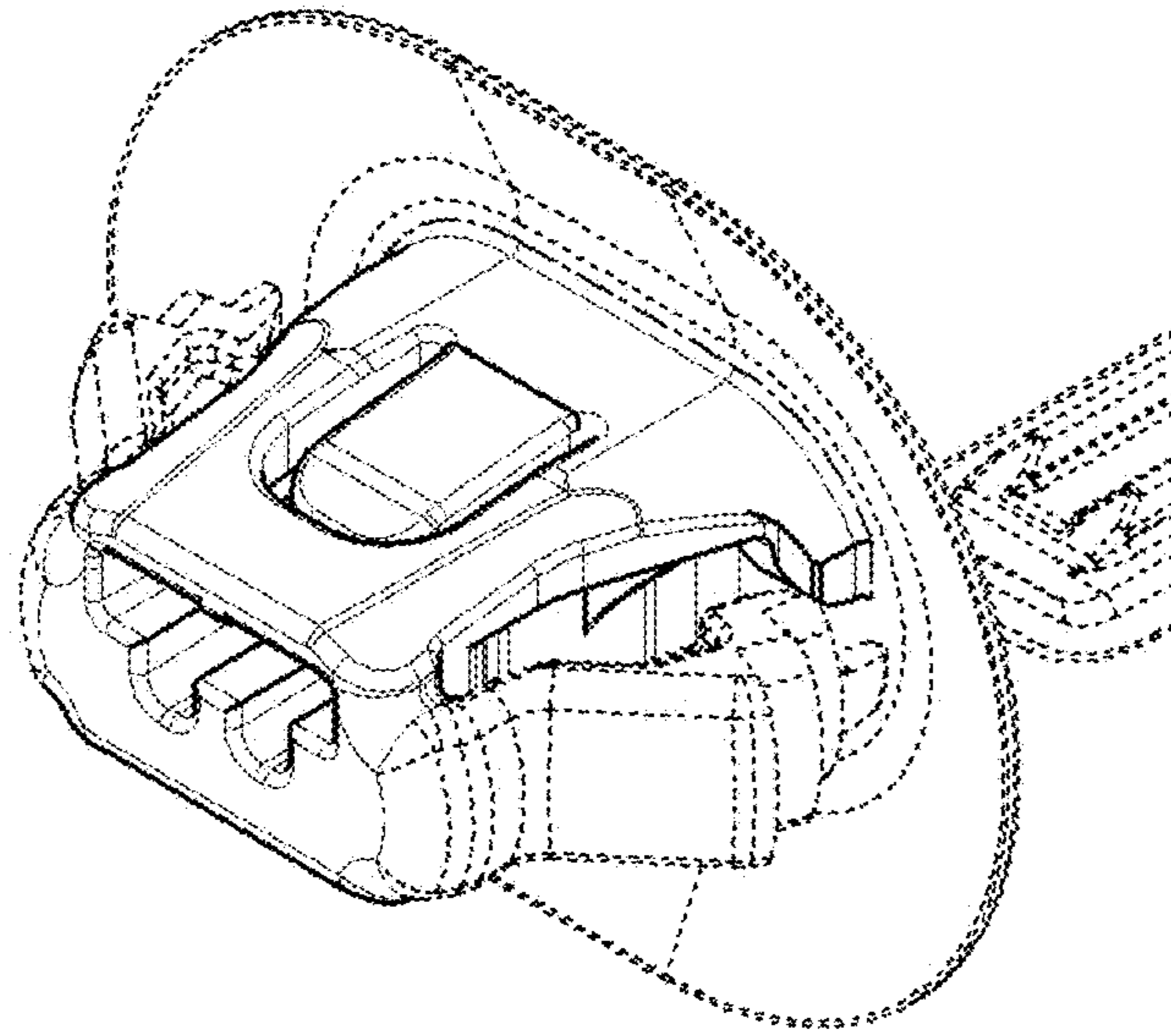


FIG. 8

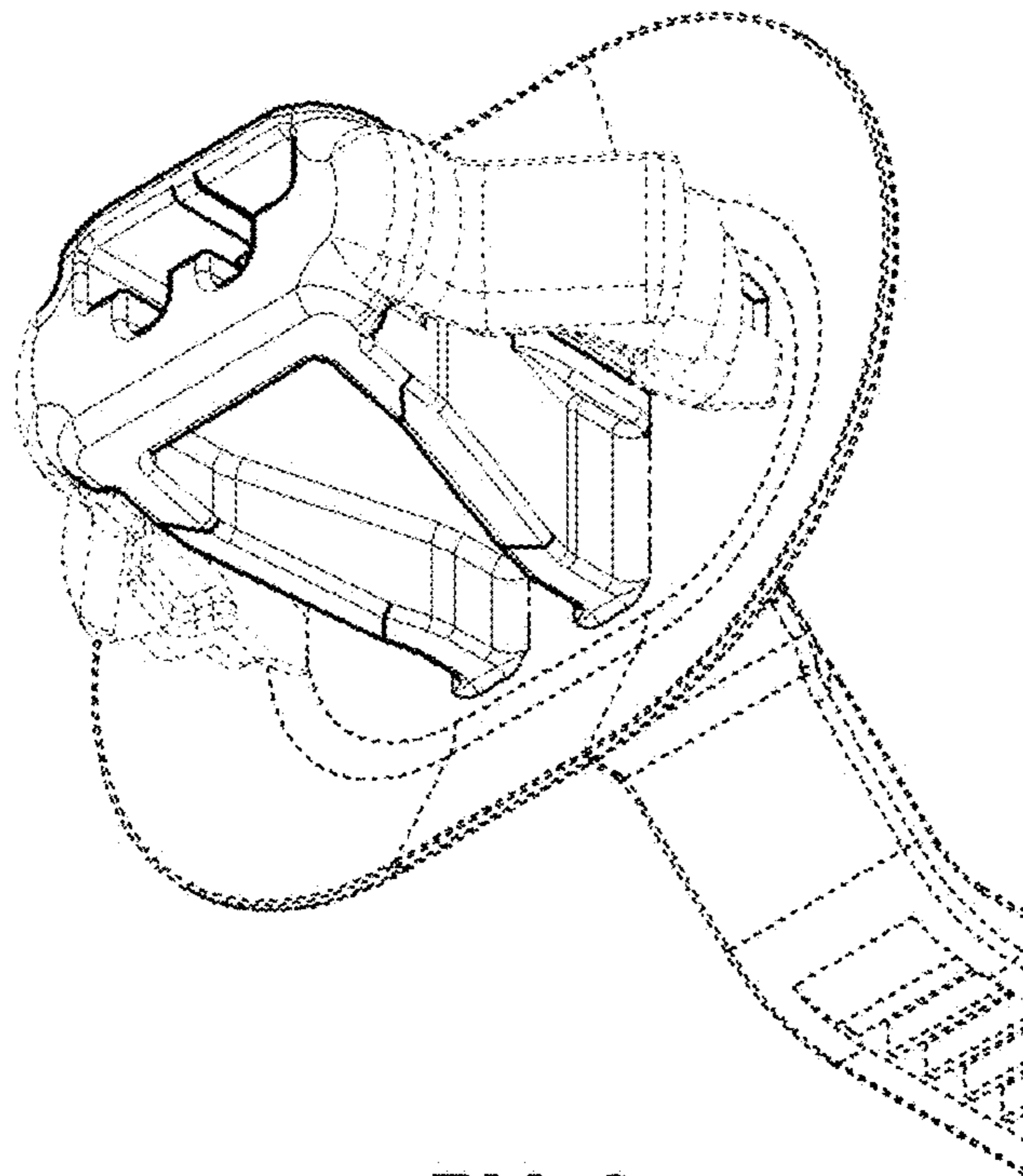


FIG. 9

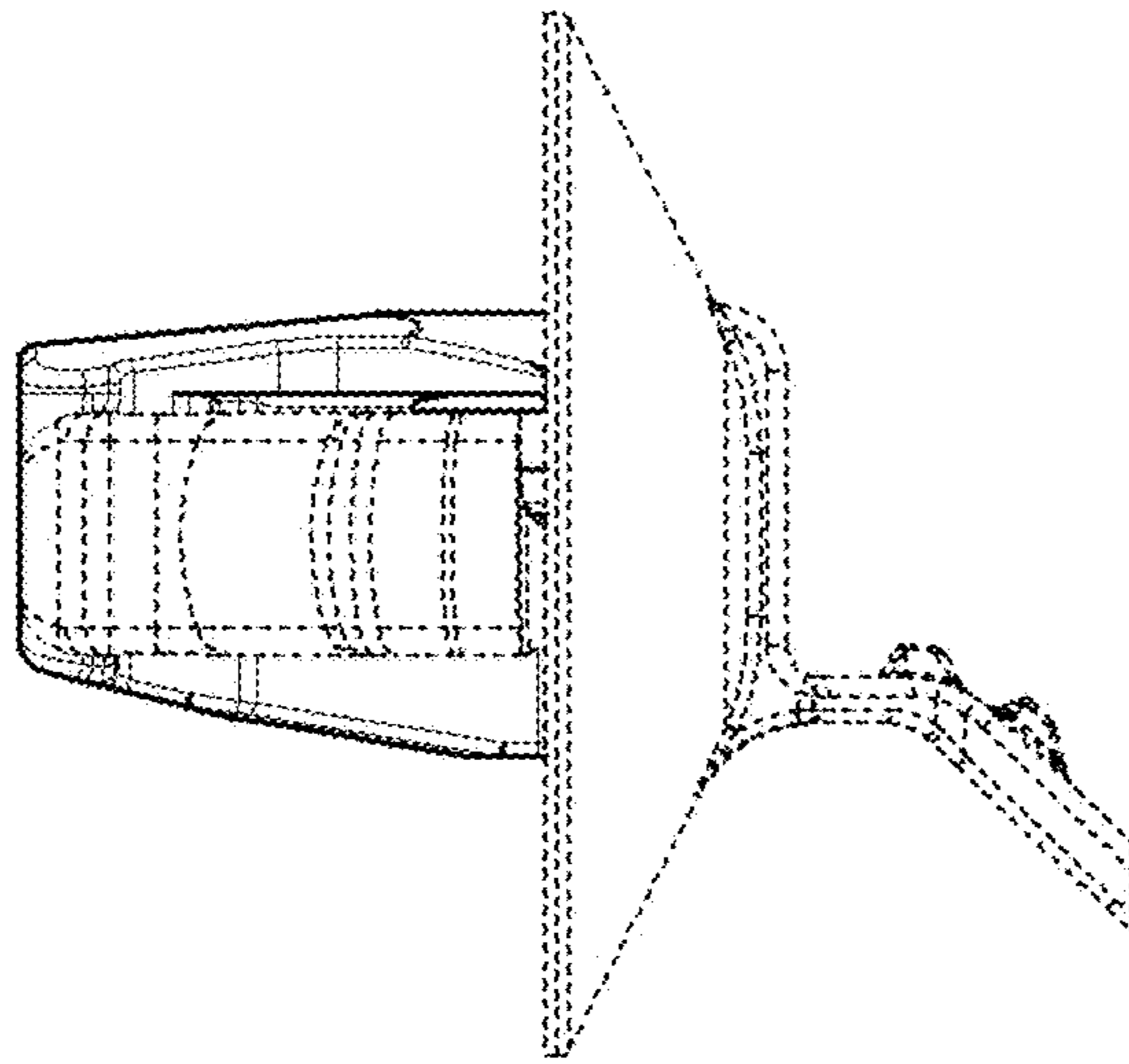


FIG. 10

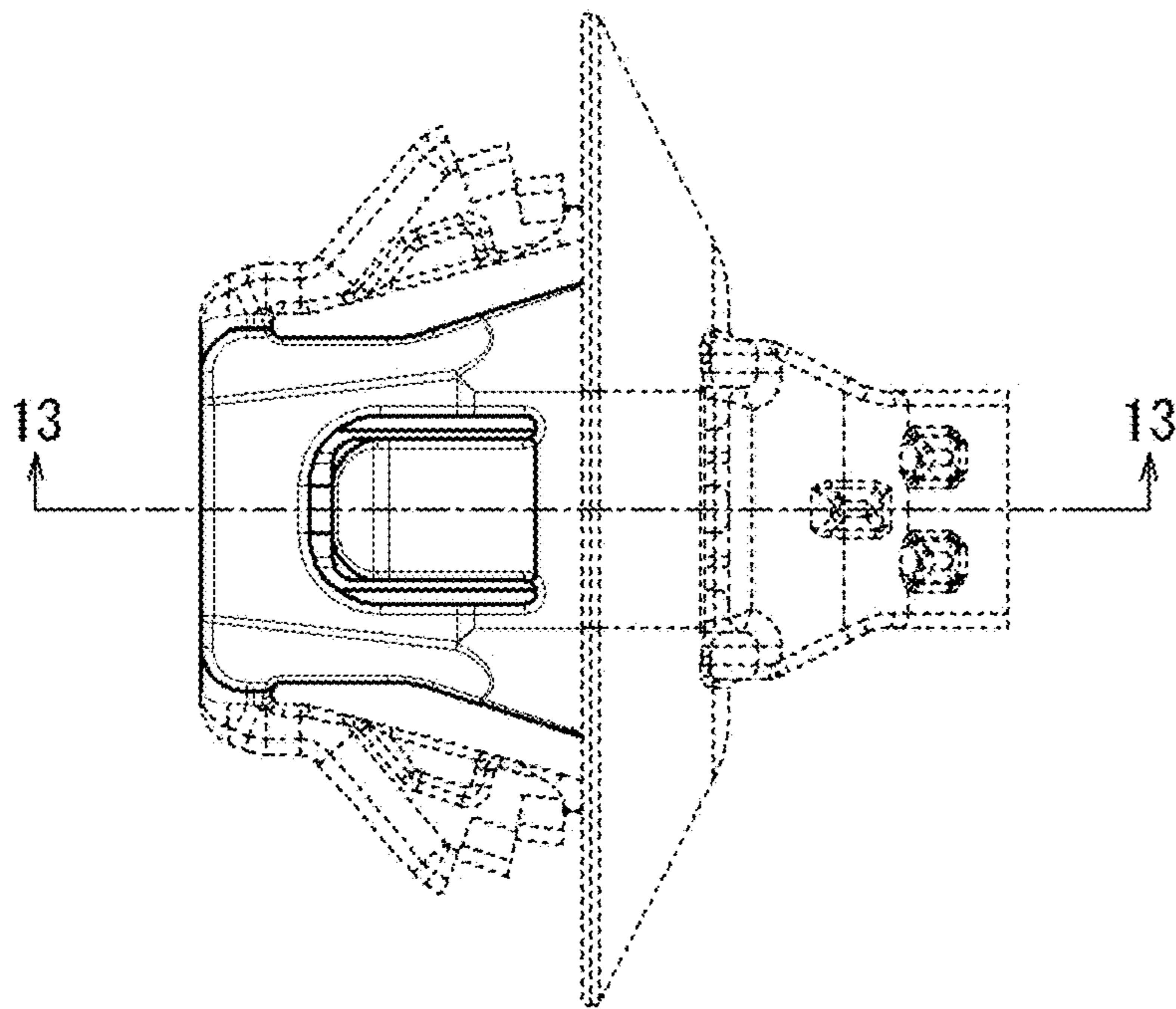


FIG. 11

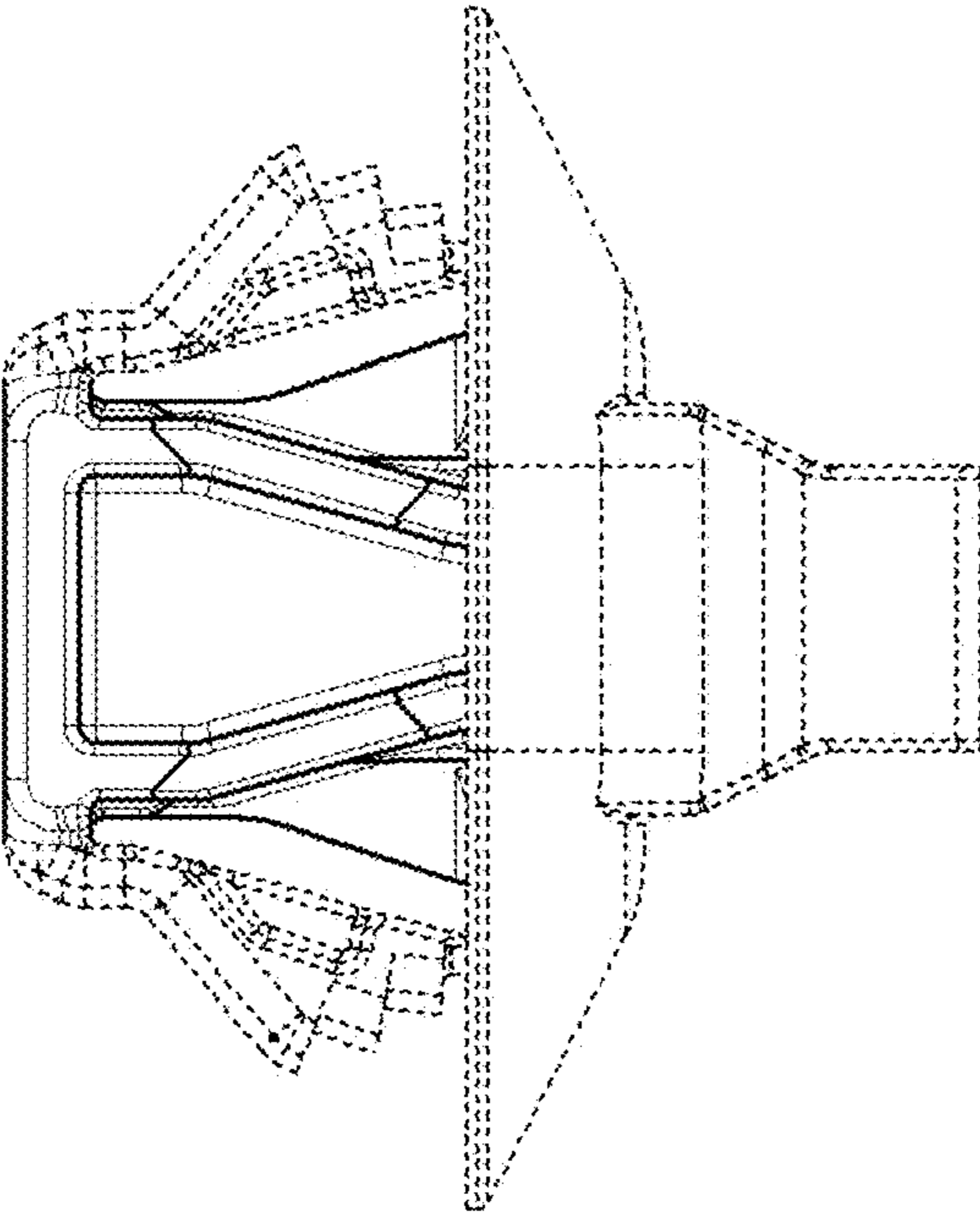


FIG. 12

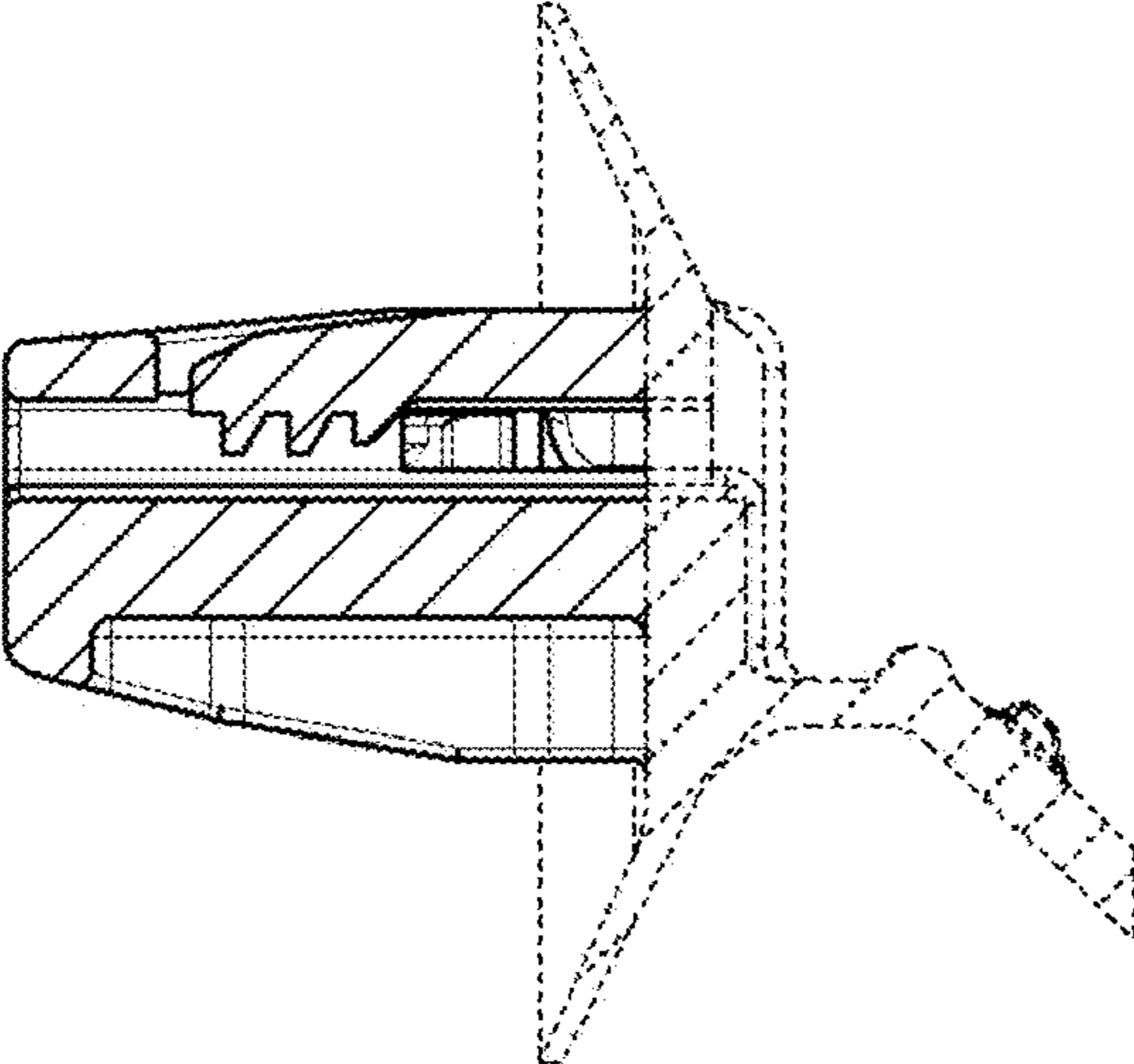


FIG. 13