

US00D820665S

(12) **United States Design Patent** (10) **Patent No.:** **US D820,665 S**
DeDios-Shirley et al. (45) **Date of Patent:** **** Jun. 19, 2018**

(54) **COMPONENT MOUNT**
 (71) Applicant: **HIDEit Mounts, Inc.**, Reno, NV (US)
 (72) Inventors: **Relina Belen DeDios-Shirley**, Reno, NV (US); **Charles Edward Shirley**, Reno, NV (US)

D388,136 S 12/1997 Lecocq et al.
 5,765,850 A 6/1998 Emerson
 D409,079 S 5/1999 Sobczynski
 D423,328 S * 4/2000 Burrows D8/354
 6,402,111 B1 6/2002 Stewart et al.
 6,554,527 B1 4/2003 O'Donnell et al.
 (Continued)

(73) Assignee: **HIDEit Mounts, Inc.**, Reno, NV (US)

(**) Term: **15 Years**

(21) Appl. No.: **29/593,964**

(22) Filed: **Feb. 14, 2017**

(51) **LOC (11) Cl.** **08-05**

(52) **U.S. Cl.**
 USPC **D8/354**

(58) **Field of Classification Search**
 USPC D8/16, 19, 350, 353, 354, 364, 366, 499,
 D8/380, 381, 371, 373, 349; D14/238.1,
 D14/136, 239, 451
 CPC A47B 2220/0036; E04B 1/26; E04B
 2001/2415; E04B 2001/2644; E04B
 2001/405; E04B 1/38; E04B 1/2608;
 E04B 7/045; H02G 3/32; F16M 13/02;
 F16M 13/025; B60P 7/0892; B63B 25/28;
 B63B 2025/285
 See application file for complete search history.

(56) **References Cited**

U.S. PATENT DOCUMENTS

D168,074 S * 10/1952 Symington D8/354
 D242,766 S 12/1976 Neece
 D244,748 S * 6/1977 Canterbury D8/354
 4,079,604 A 3/1978 Anderegg
 4,467,244 A 8/1984 Dickie
 D296,075 S 6/1988 Jones
 D306,133 S * 2/1990 Zupancic D8/354
 5,044,589 A 9/1991 Milne et al.
 5,227,582 A 7/1993 Velasco et al.
 D370,171 S 5/1996 Emerson
 D376,751 S * 12/1996 Hanson D12/162

OTHER PUBLICATIONS

HIDEit 4s mount, by HIDEit Mounts, reviewed on Nov. 28, 2016 on amazon.com, retrieved on Feb. 26, 2018, retrieved from the internet URL: https://www.amazon.com/HIDEit-4S-Mount-PlayStation-Slim-Wall/dp/B01MDMJMYC/ref=sr_1_7?ie=UTF8&qid=1519686079&sr=8-7&keywords=hideit+vesa.*

(Continued)

Primary Examiner — Jennifer Rivard
Assistant Examiner — Alison M Ofstun
 (74) *Attorney, Agent, or Firm* — Holland & Hart LLP

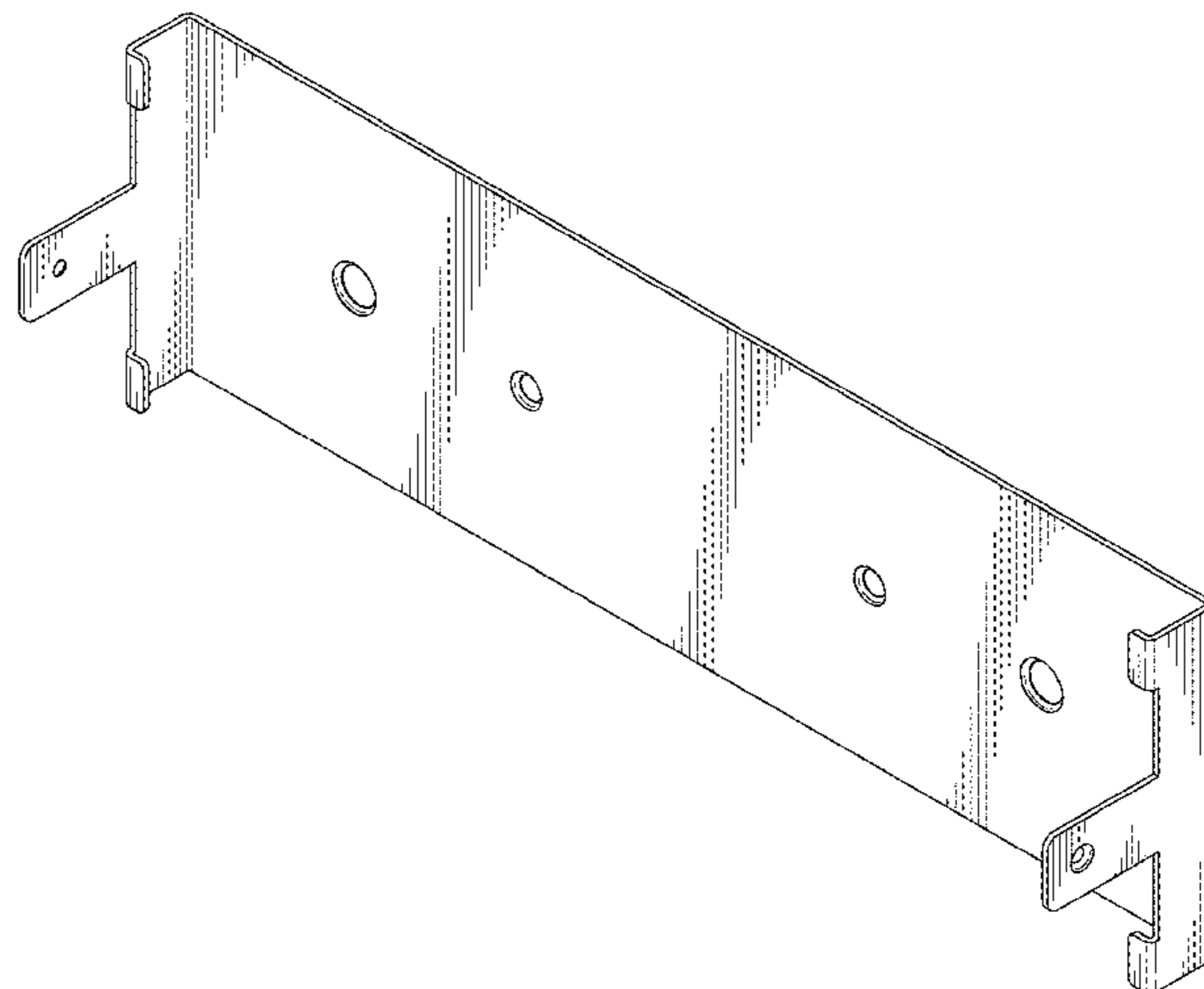
(57) **CLAIM**

The ornamental design for a component mount, as shown and described.

DESCRIPTION

FIG. 1 is a perspective view of the component mount showing our new design;
 FIG. 2 is a front elevational view of the component mount shown in FIG. 1;
 FIG. 3 is a rear elevational view of the component mount shown in FIG. 1;
 FIG. 4 is a top plan view of the component mount shown in FIG. 1;
 FIG. 5 is a bottom plan view of the component mount shown in FIG. 1;
 FIG. 6 is a right side elevational view of the component mount shown in FIG. 1; and,
 FIG. 7 is a left side elevational view of the component mount shown in FIG.1.

1 Claim, 4 Drawing Sheets



(56)

References Cited

U.S. PATENT DOCUMENTS

7,312,396 B1 12/2007 Gorman
 D568,727 S 5/2008 Walker et al.
 D583,221 S * 12/2008 Johnsen D8/354
 D598,273 S * 8/2009 Nerskov D8/354
 D622,114 S * 8/2010 Balliet D8/16
 7,918,426 B2 4/2011 Short et al.
 D654,350 S * 2/2012 Preda D8/354
 8,141,836 B2 3/2012 Saez et al.
 D667,288 S * 9/2012 Preda D8/354
 D667,718 S * 9/2012 Preda D8/354
 D684,033 S * 6/2013 Preda D8/354
 D710,340 S 8/2014 Wengreen et al.
 D730,719 S * 6/2015 Sundberg D8/354
 D734,305 S 7/2015 Wengreen
 D735,174 S 7/2015 Wengreen
 D746,122 S * 12/2015 Stoops D8/349
 D764,256 S 8/2016 DeDios-Shirley et al.
 D767,973 S 10/2016 DeDios-Shirley et al.
 D773,836 S * 12/2016 Eads D6/323

2005/0023419 A1 2/2005 Frankel
 2007/0235609 A1 10/2007 Chun et al.
 2008/0296467 A1* 12/2008 Havelock F16M 13/02
 248/544
 2009/0052128 A1* 2/2009 Yeh F16M 11/041
 361/679.27
 2010/0299876 A1* 12/2010 Kang E05D 3/10
 16/319
 2012/0312950 A1 12/2012 Sears
 2015/0264823 A1 9/2015 Shirley et al.

OTHER PUBLICATIONS

Relina Belen DeDios-Shirley, et al, Design U.S. Appl. No. 29/530,127, filed Jun. 12, 2015, issued Aug. 23, 2016.
 Relina Belen Dedios-Shirley, et al, Design U.S. Appl. No. 29/530,129, filed Jun. 12, 2015, issued Oct. 4, 2016.
 Relina Belen Dedios-Shirley, et al, Design U.S. Appl. No. 29/588,834, filed Dec. 23, 2016.

* cited by examiner

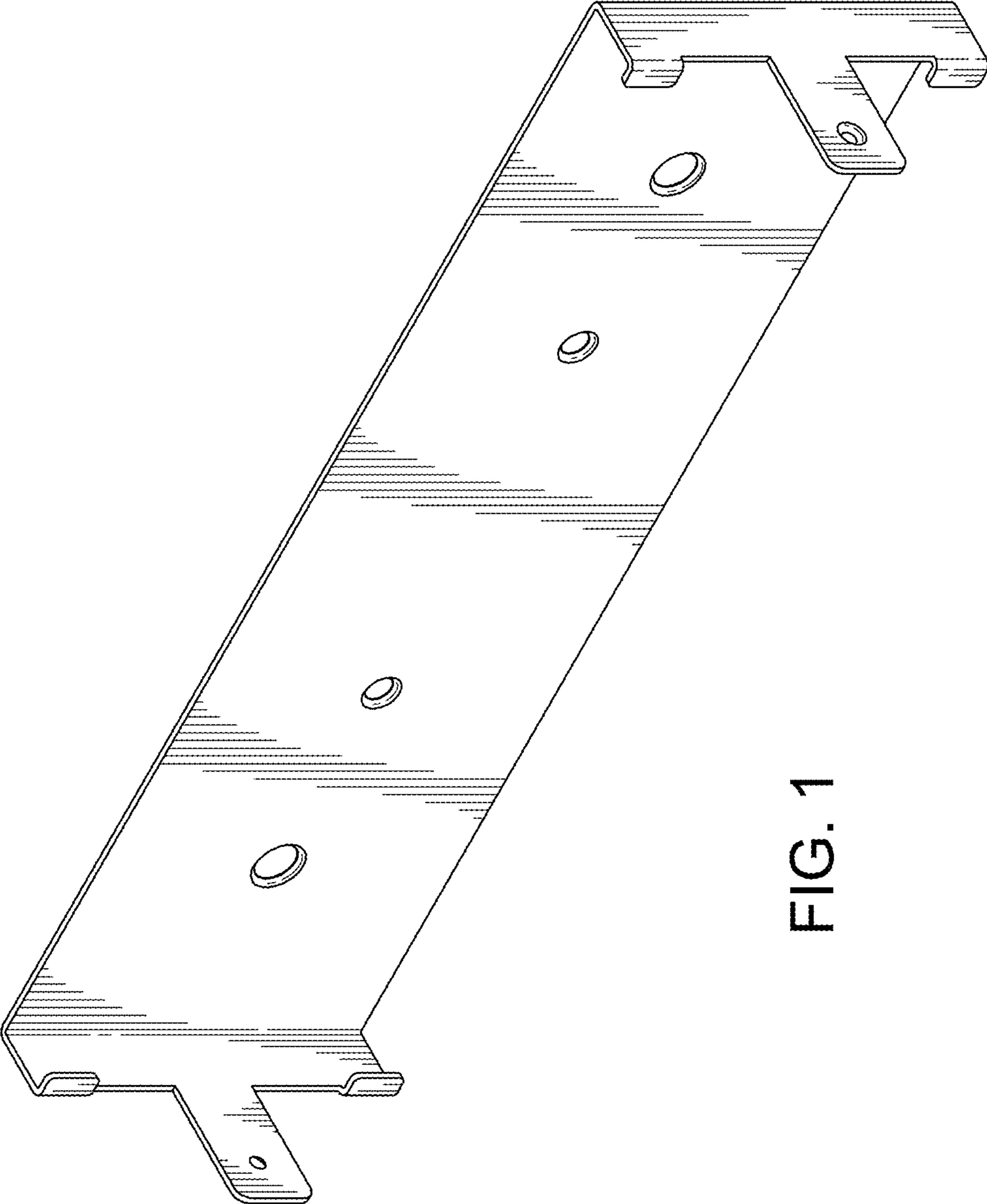


FIG. 1

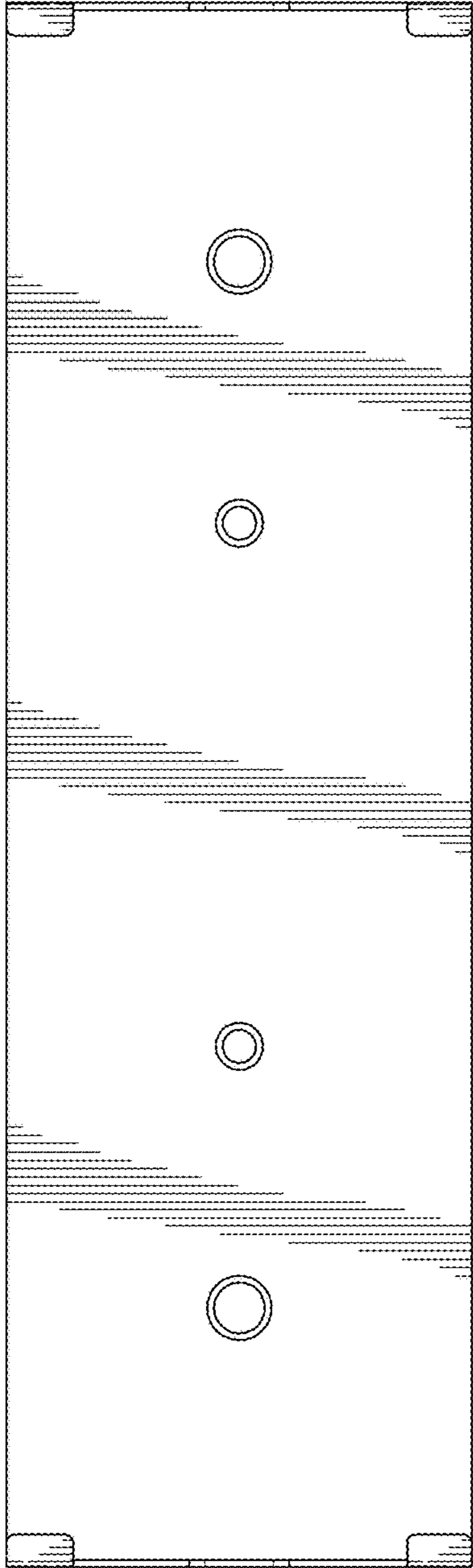


FIG. 2

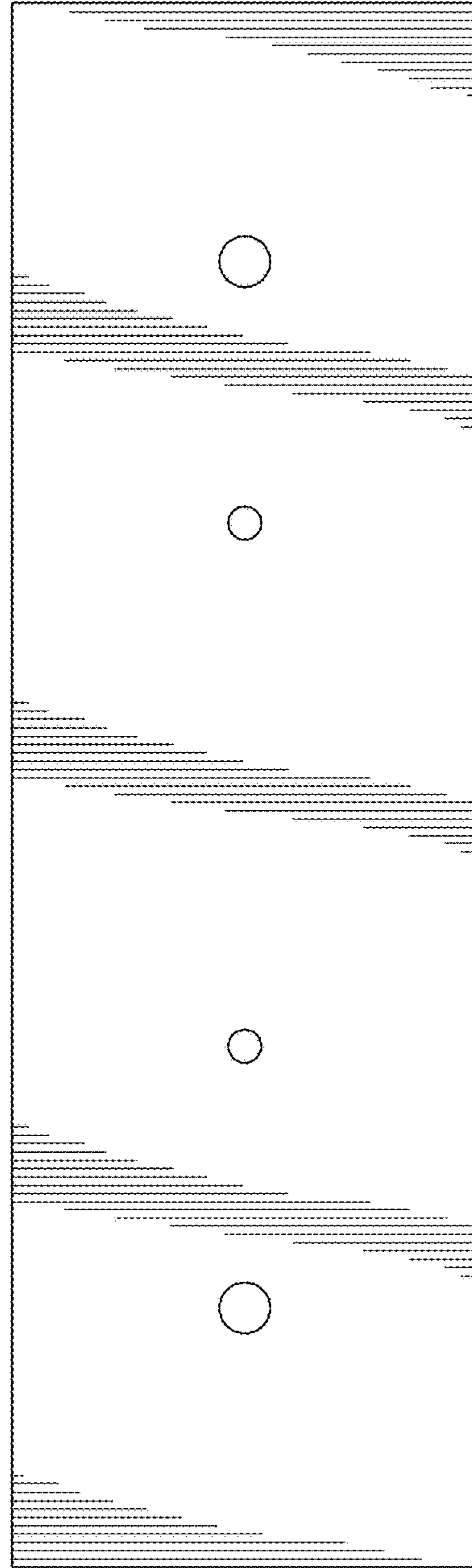


FIG. 3

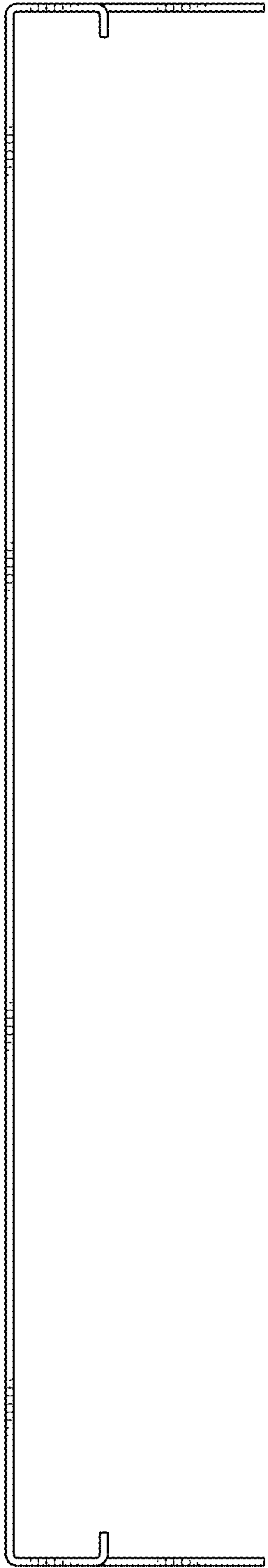


FIG. 4

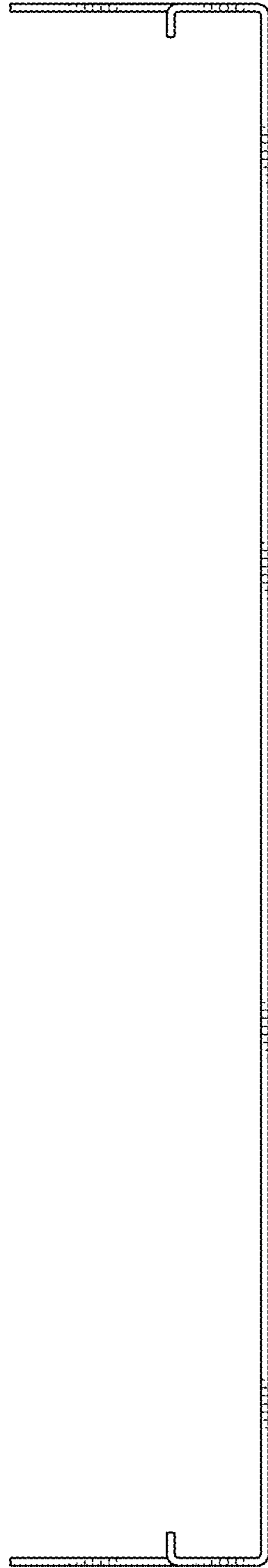


FIG. 5

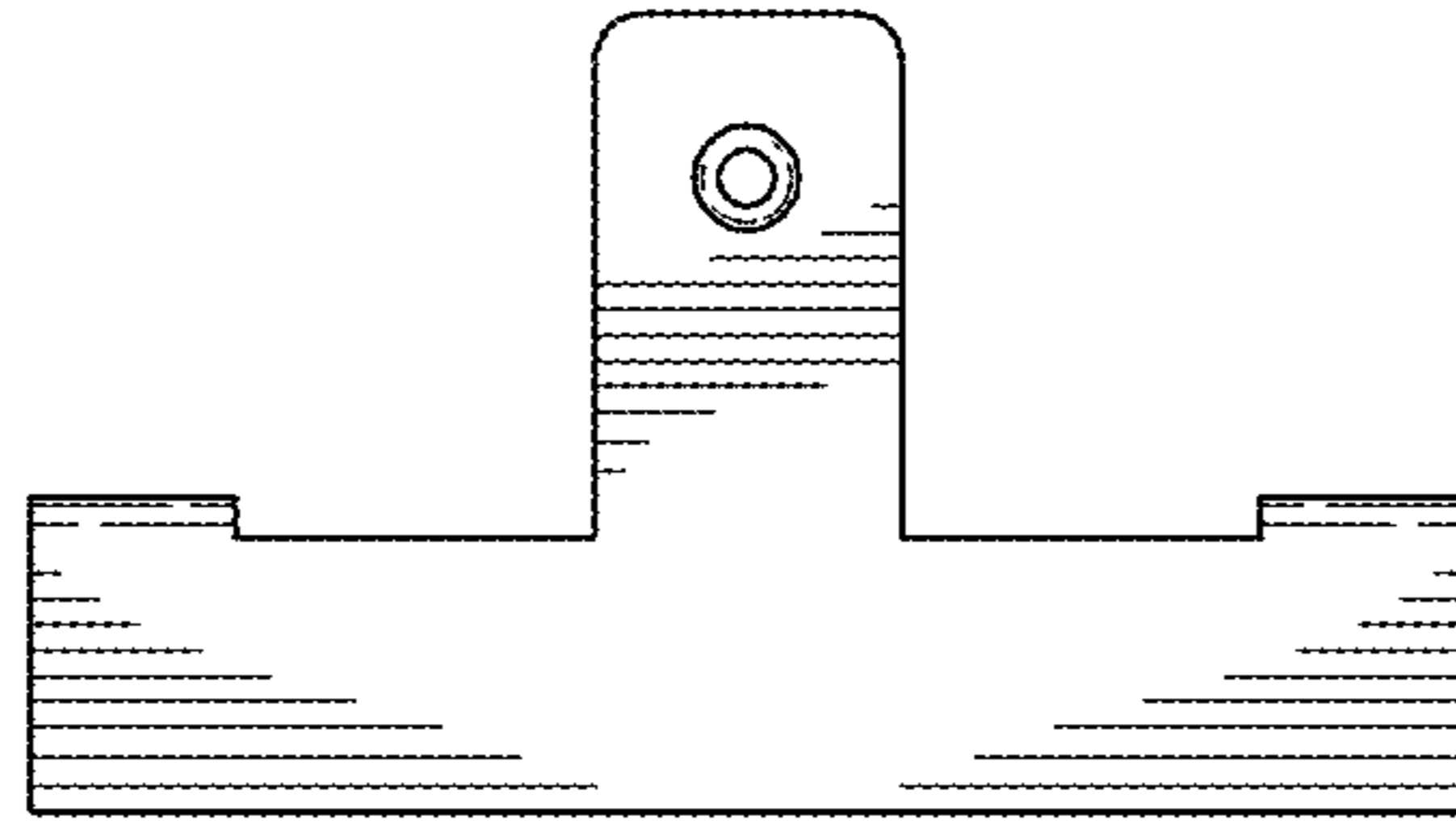


FIG. 7

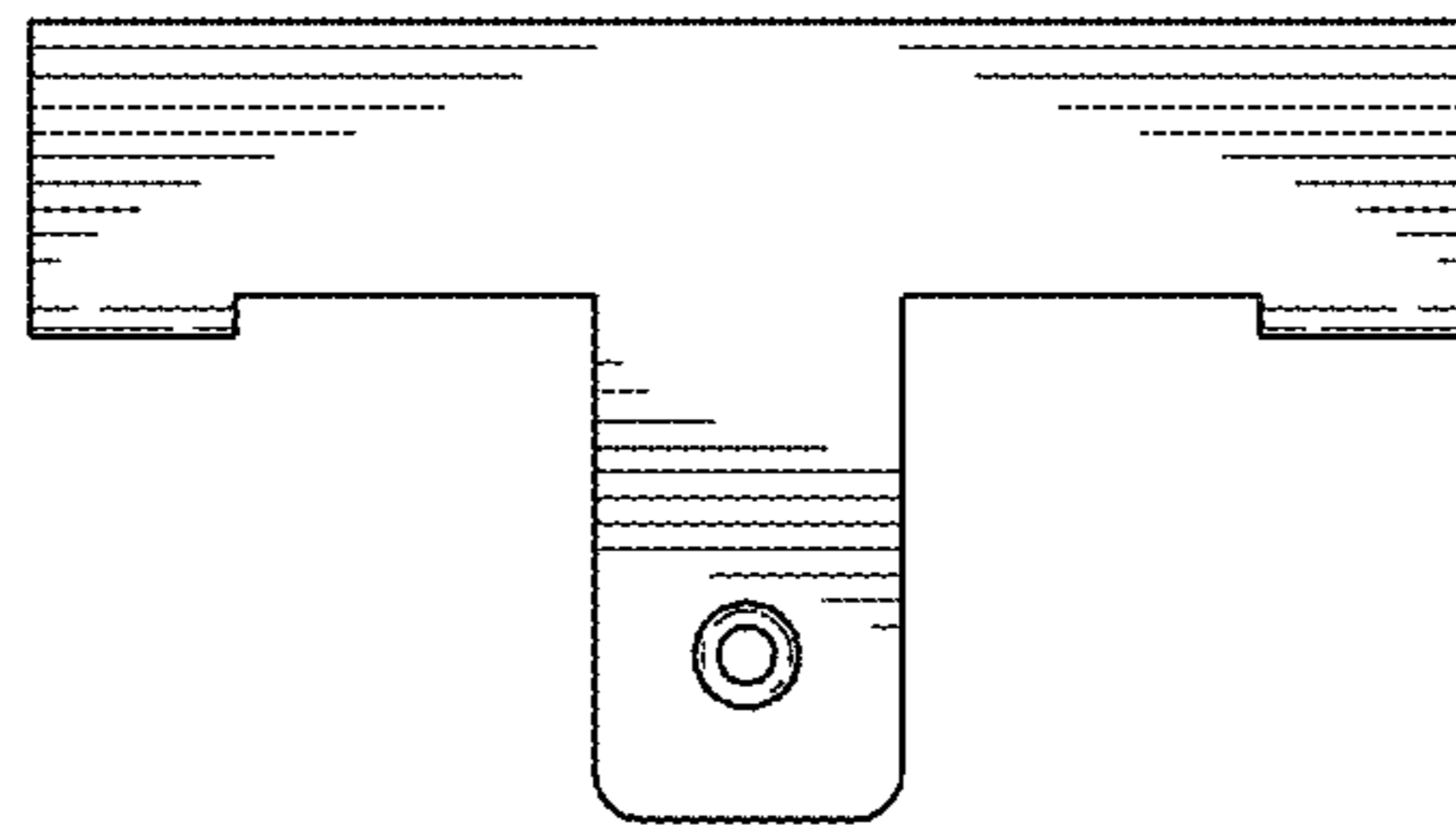


FIG. 6