



US00D820664S

(12) **United States Design Patent**
Allen et al.

(10) **Patent No.:** **US D820,664 S**
(45) **Date of Patent:** **** Jun. 19, 2018**

- (54) **BRIDGING TERMINATION CLIP**
- (71) Applicant: **Allen Innovations, LLC**, Cary, NC (US)
- (72) Inventors: **Brian C. Allen**, Raleigh, NC (US);
Richard Mountcastle, Raleigh, NC (US)
- (73) Assignee: **Allen Innovations, LLC**, Cary, NC (US)
- (**) Term: **15 Years**
- (21) Appl. No.: **29/591,056**
- (22) Filed: **Jan. 16, 2017**
- (51) **LOC (11) Cl.** **08-05**
- (52) **U.S. Cl.**
USPC **D8/354**
- (58) **Field of Classification Search**
USPC D8/349, 354, 380
CPC .. E04B 1/2604; E04B 1/24; E04B 2001/2415;
E04B 2001/2696; E04C 3/292; F16B
15/0046
See application file for complete search history.

- 8,733,061 B1 * 5/2014 McDonald E04B 7/045
52/300
 - 9,016,024 B1 * 4/2015 Daudet E04B 2/763
52/643
 - D730,545 S * 5/2015 Stauffer D25/133
 - D732,708 S * 6/2015 Stauffer D25/133
- (Continued)

OTHER PUBLICATIONS

FastBridge Clip, posted at clarkdietrich.com, posting date not given, [online], [site visited Mar. 29, 2018]. Available from Internet, URL: <https://www.clarkdietrich.com/products/bridging-bracing-backing-connections/fastbridge-clip-fb33-fb43-fb68> (Year: 2018).*

(Continued)

Primary Examiner — George D. Kirschbaum
Assistant Examiner — Maria J Edwards
(74) *Attorney, Agent, or Firm* — Ward and Smith, P.A.;
Ryan K. Simmons

(57) **CLAIM**

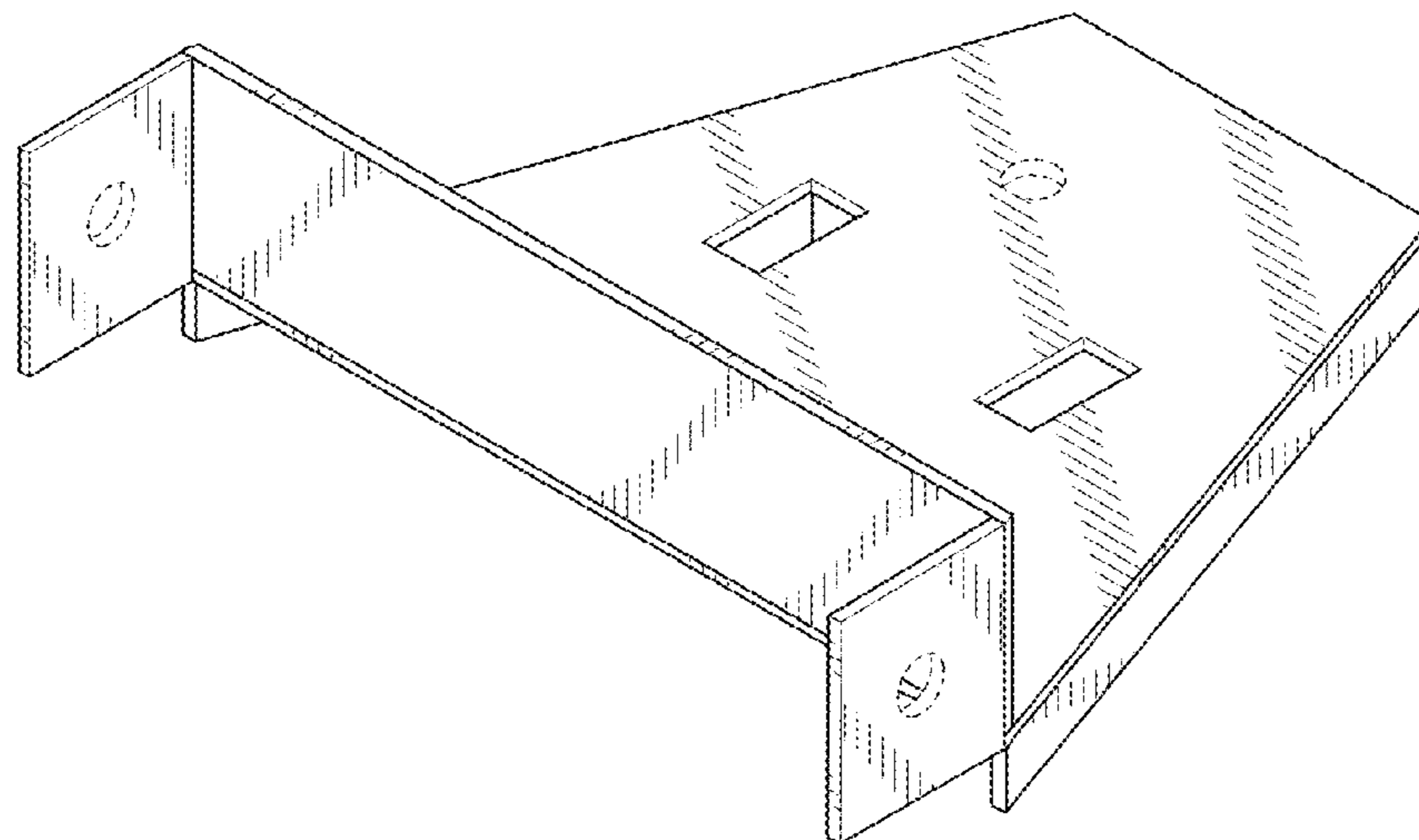
The ornamental design for a bridging termination clip, as shown and described.

DESCRIPTION

FIG. 1 is a perspective view of a bridging termination clip showing a new design;
FIG. 2 is a front view thereof;
FIG. 3 is a rear view thereof;
FIG. 4 is a right side view thereof, the left side being a mirror image;
FIG. 5 is a top plan view thereof;
FIG. 6 is a bottom plan view thereof; and,
FIG. 7 is another perspective view of the bridging termination clip in an installed configuration.
In the drawings the dash-dash broken lines are for the purpose of illustrating environment only and form no part of the claimed design.

1 Claim, 5 Drawing Sheets

- (56) **References Cited**
U.S. PATENT DOCUMENTS
- 3,457,689 A * 7/1969 Troutner E04C 3/17
52/639
- 3,945,741 A * 3/1976 Wendt E04B 1/5818
403/191
- 4,665,677 A * 5/1987 Palacio E04C 3/292
52/693
- D357,623 S * 4/1995 Davis D8/354
- 5,403,110 A * 4/1995 Sammann E04B 1/5831
403/205
- 5,904,023 A * 5/1999 diGirolamo E04B 2/7457
403/388
- D692,746 S * 11/2013 Lawson E04B 2/763
D8/394



(56)

References Cited

U.S. PATENT DOCUMENTS

D791,578 S * 7/2017 Royak D8/354
D796,302 S * 9/2017 Bright D8/354
D798,693 S * 10/2017 Kanagal
Narasimhaswamy D8/354
2014/0270916 A1* 9/2014 Daudet E04B 2/763
403/188
2014/0270923 A1* 9/2014 Daudet E04B 2/763
403/286
2016/0002912 A1* 1/2016 Doupe E04B 1/2604
52/702

OTHER PUBLICATIONS

Simpson Strong Tie SUBH3, posted at amazon.com, posting date Dec. 4, 2013, [online], [site visited Mar. 29, 2018]. Available from Internet, URL: <https://www.amazon.com/Simpson-Strong-SUBH3-25-R150-Bridging-Connector/dp/B00H3NWLPE> (Year: 2013).*

Spazzer Bar Fly Clip, posted at clarkdietrich.com, posting date not given, [online], [site visited Mar. 29, 2018]. Available from Internet, URL: <https://www.clarkdietrich.com/products/bridging-bracing-backing-connections/spazzer-bar-fly-clip-sfly> (Year: 2018).*

Universal Bridging Clip, posted at bmp-group.com, posting date not given, [online], [site visited Mar. 29, 2018]. Available from Internet, URL: [http://www.bmp-group.com/products/framing-connectors-clips/universal-bridging-clip-\(ubc-365-ubc-600-ubc800\)](http://www.bmp-group.com/products/framing-connectors-clips/universal-bridging-clip-(ubc-365-ubc-600-ubc800)) (Year: 2018).*

* cited by examiner

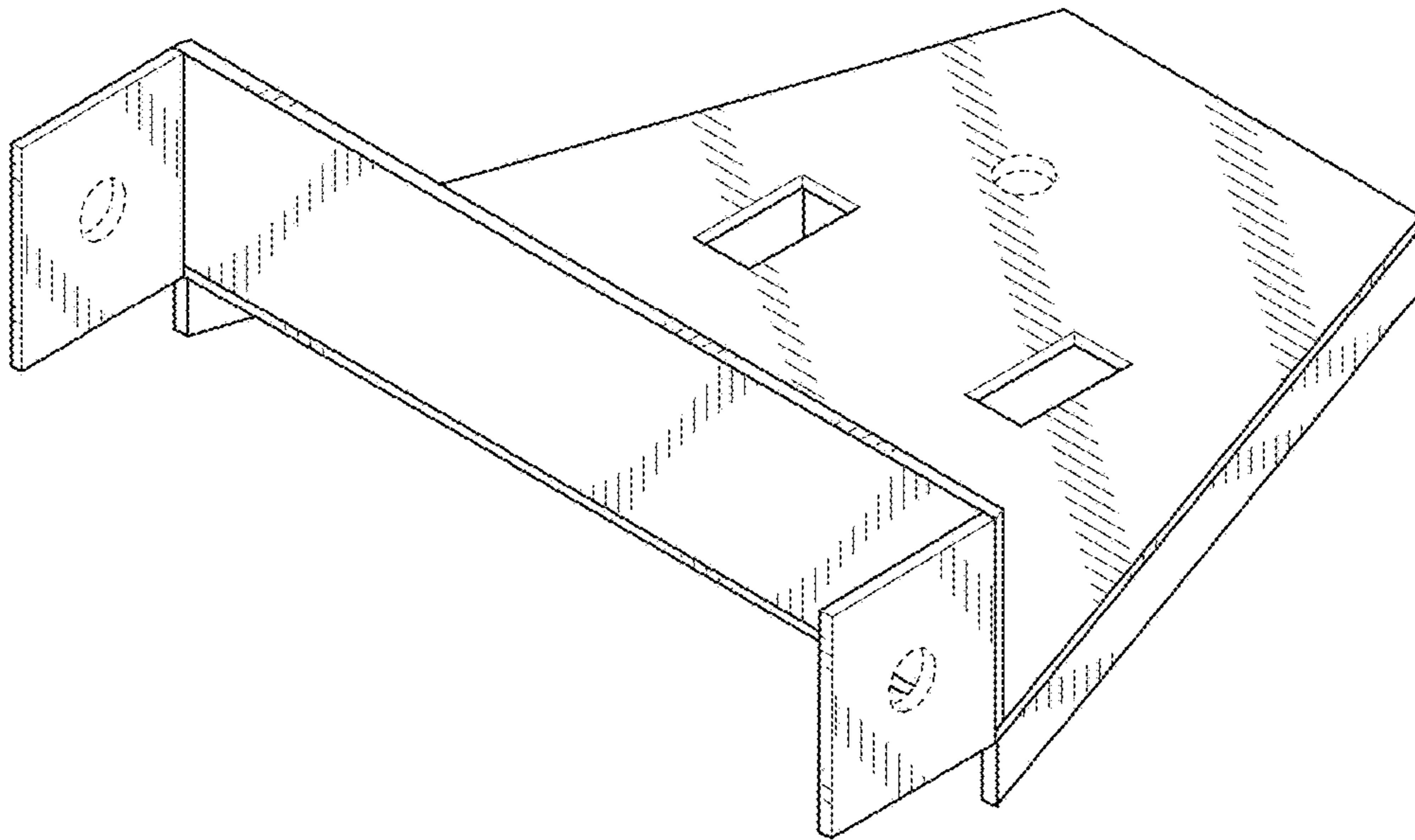


FIG. 1

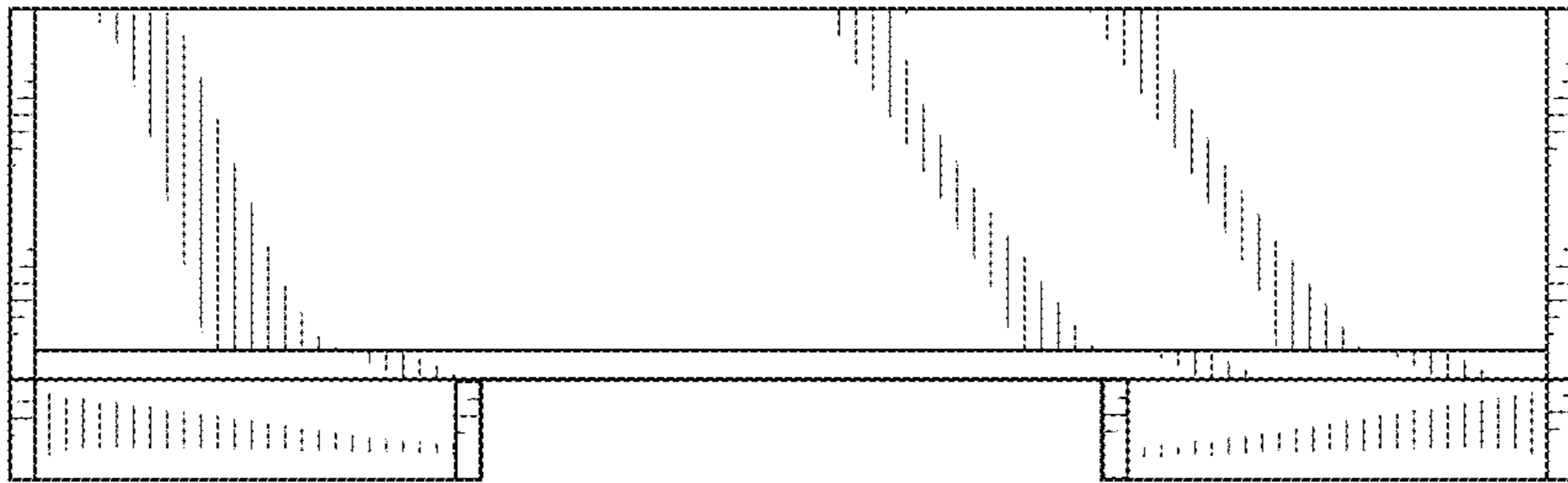


FIG. 2

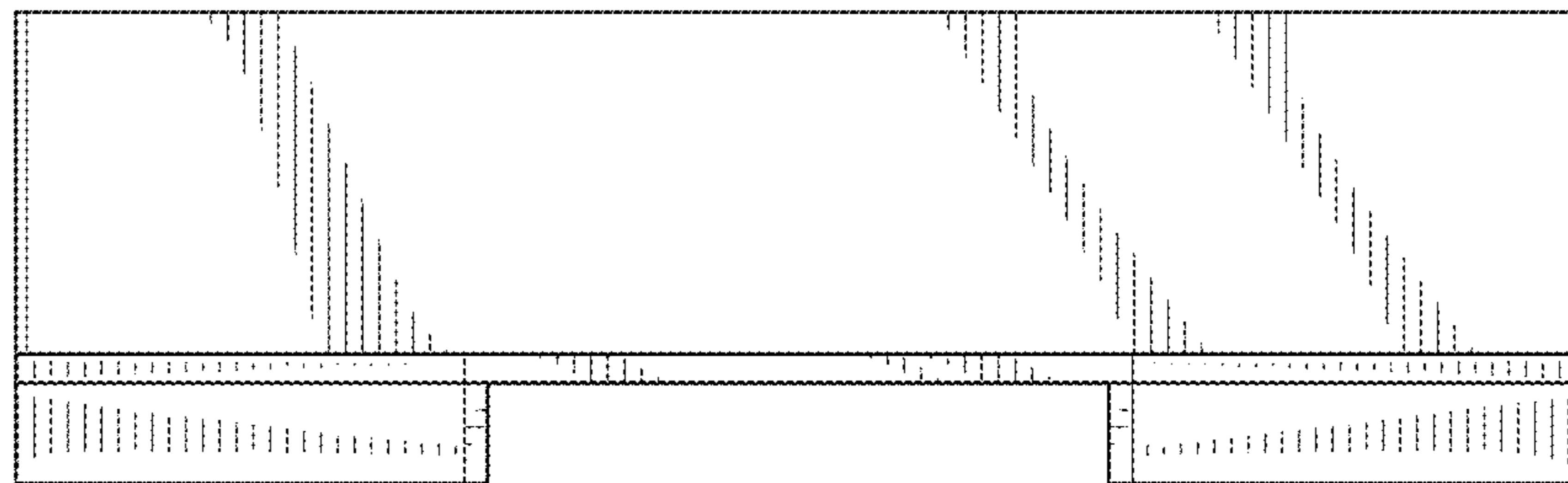


FIG. 3

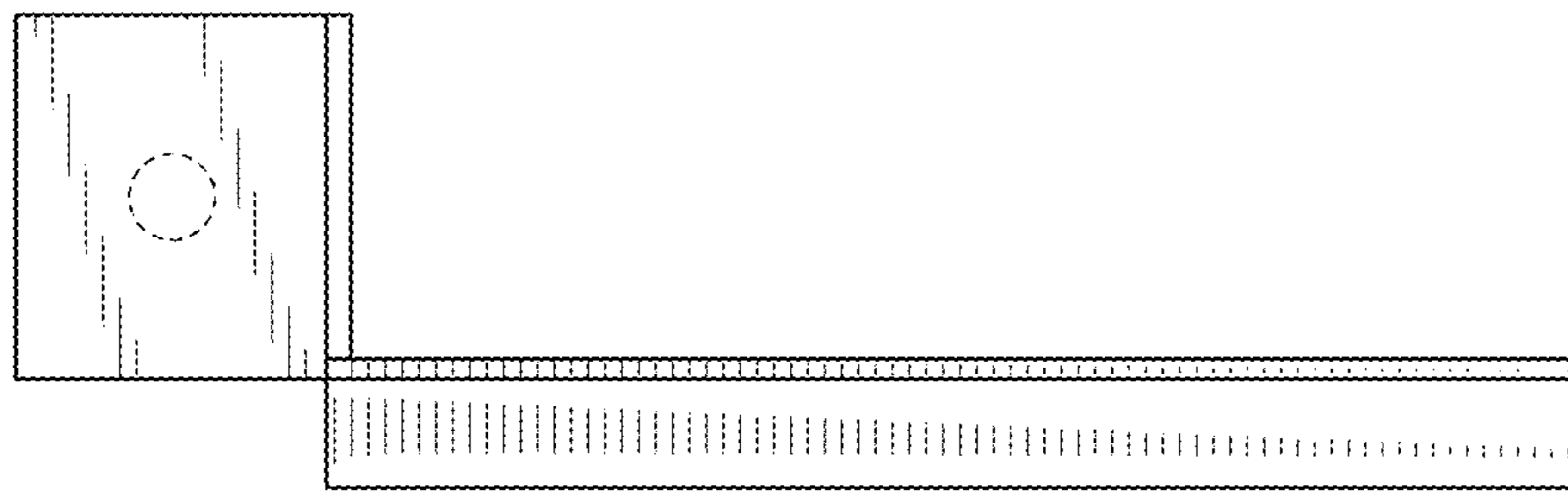


FIG. 4

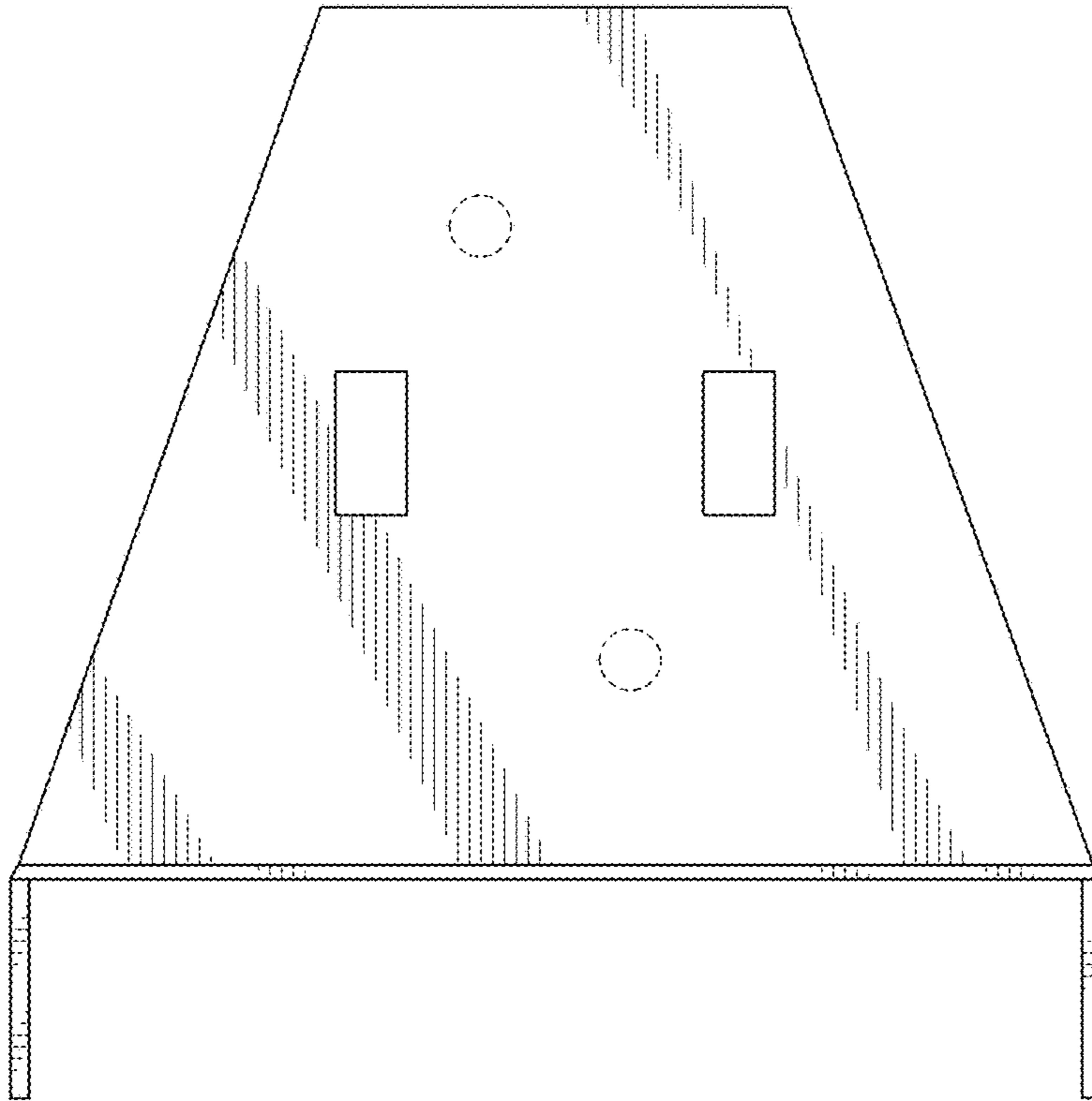


FIG. 5

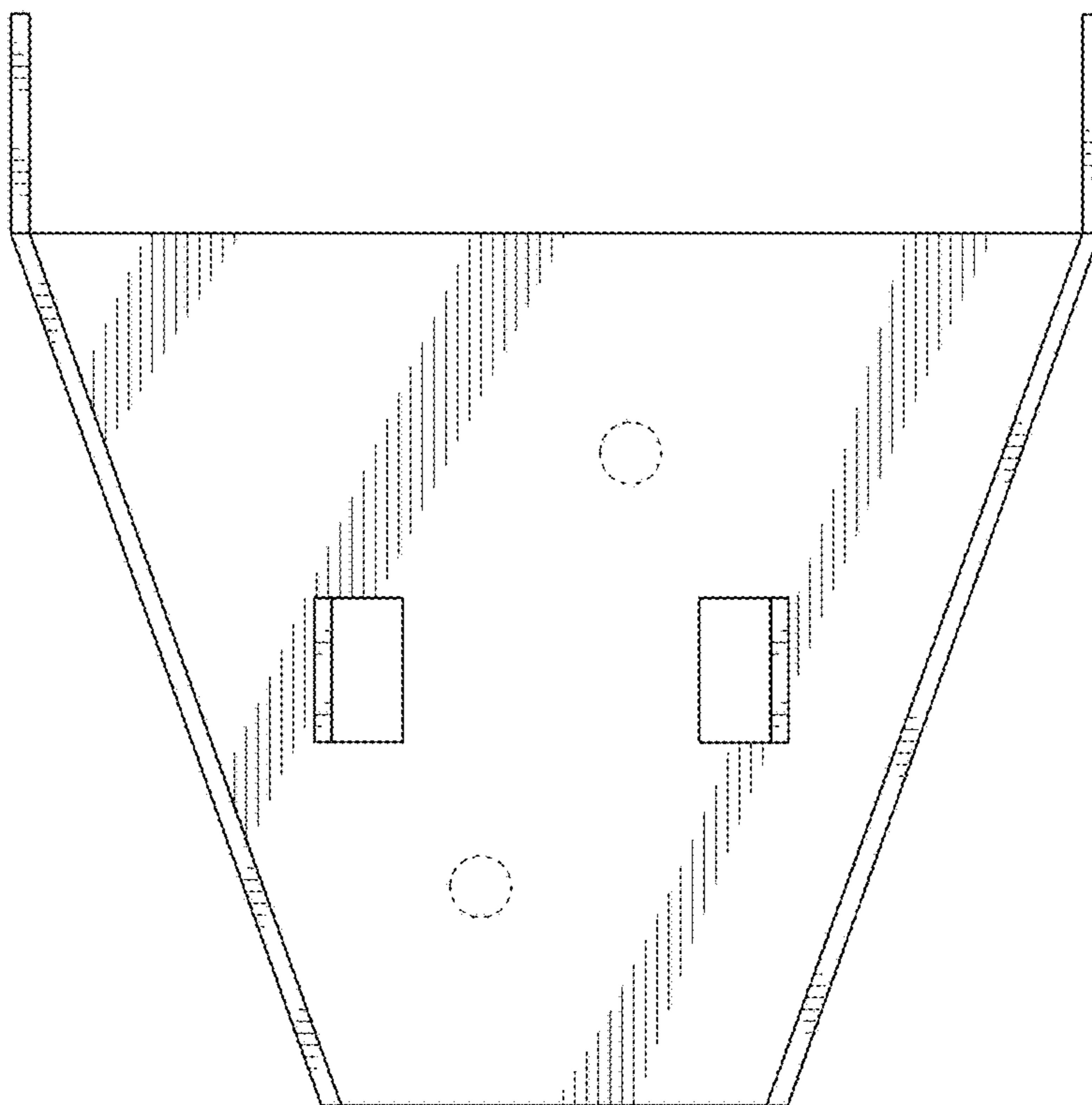


FIG. 6

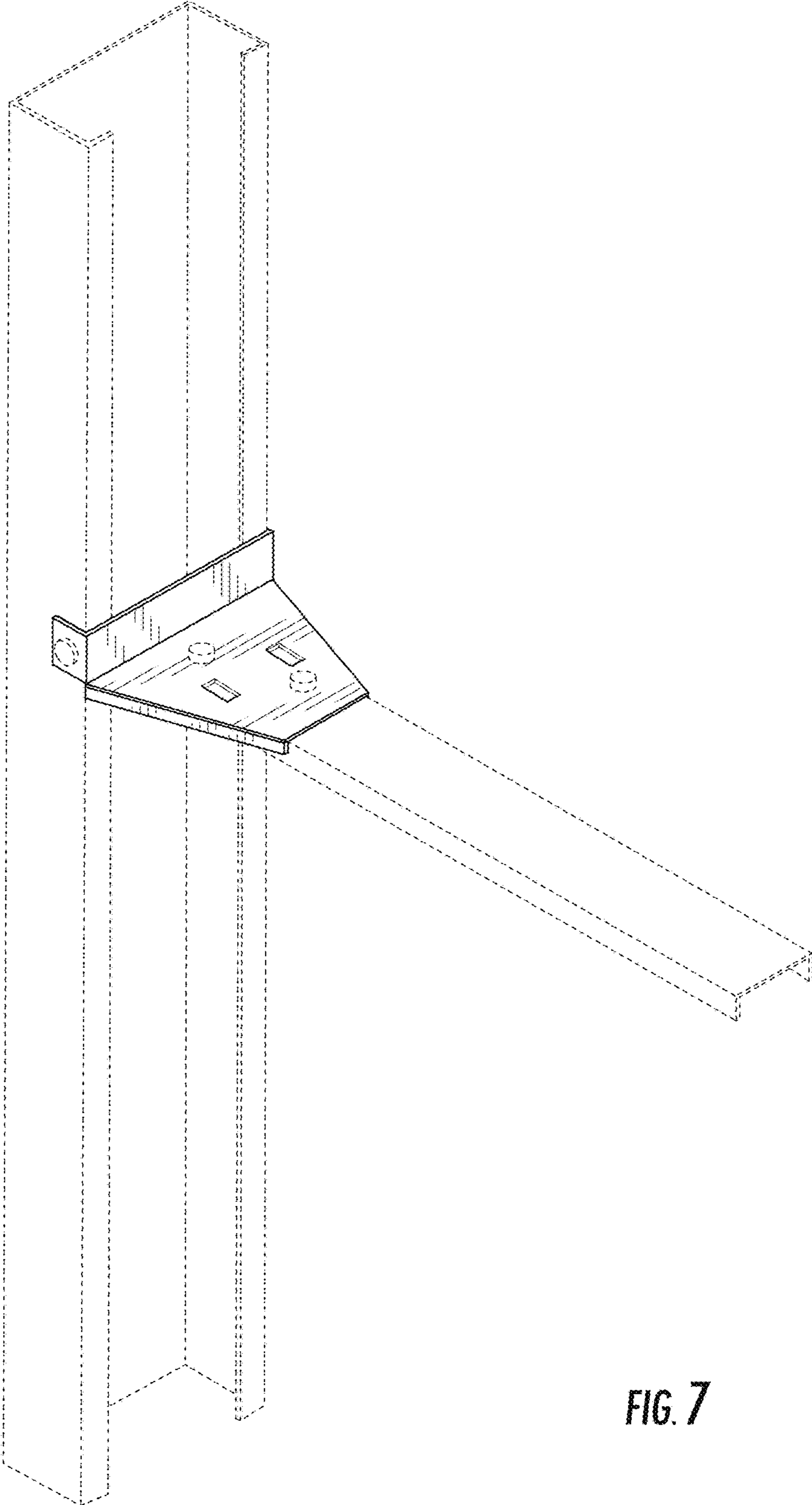


FIG. 7