



US00D820663S

(12) **United States Design Patent**  
**Jang**

(10) **Patent No.:** **US D820,663 S**  
(45) **Date of Patent:** **\*\* Jun. 19, 2018**

- (54) **MOUNTING DEVICE**
- (71) Applicant: **AAUXX KOREA Inc.**, Seoul (KR)
- (72) Inventor: **Jintae Jang**, Seoul (KR)
- (73) Assignee: **AAUXX KOREA INC.**, Seoul (KR)
- (\*\*) Term: **15 Years**
- (21) Appl. No.: **29/575,447**
- (22) Filed: **Aug. 25, 2016**
- (51) **LOC (11) Cl.** ..... **08-08**
- (52) **U.S. Cl.**  
USPC ..... **D8/349**
- (58) **Field of Classification Search**  
USPC .... D8/373, 349, 16, 19, 354, 355, 363, 364,  
D8/366, 370-372, 376, 380, 381, 382,  
D8/384-386, 396; D6/553, 550, 323,  
D6/554, 555, 512, 327, 324, 567, 566;  
D23/223, 238, 252, 257; D12/416, 415;  
D11/208; D20/15, 41, 42; D25/38.1, 39,  
D25/43  
CPC ..... F16M 13/00; F16B 1/00; F16B 47/003;  
A45C 13/1069; A45C 13/002; A45C  
11/00; A45C 2011/002; A45C 2200/15;  
B60R 11/0241; B60R 11/02; B60R  
2011/0063; B60R 2011/007; B60R  
2011/0005; B60R 2011/0008; B60R  
2011/0021; B60R 2011/0054; B60R  
2011/0056; B60R 2011/0059; B60R  
2011/6061  
See application file for complete search history.

- (56) **References Cited**  
U.S. PATENT DOCUMENTS  
D335,231 S \* 5/1993 Bengtson ..... D6/512  
D426,491 S \* 6/2000 Chan ..... D11/220

D438,451 S *	3/2001	Reiter .....	D11/220
D454,482 S *	3/2002	Morita .....	D8/382
D461,400 S *	8/2002	Aoki .....	D8/382
D691,879 S *	10/2013	Bernard .....	D8/382
D696,673 S *	12/2013	Vogel .....	D14/447
D709,066 S *	7/2014	Byun .....	D14/253
D715,132 S *	10/2014	McSweyn .....	D8/363
9,421,920 B2 *	8/2016	Jang .....	A45F 5/00
D765,646 S *	9/2016	Deng .....	D12/415
D769,234 S *	10/2016	Rami .....	D14/253
D778,714 S *	2/2017	McSweyn .....	D12/415
D781,297 S *	3/2017	Liao .....	D14/447
D790,960 S *	7/2017	McSweyn .....	D12/415
D805,021 S *	12/2017	Cunningham .....	D12/415
D807,339 S *	1/2018	Lan .....	D14/253
D809,449 S *	2/2018	Zhang .....	D12/415
2013/0279098 A1 *	10/2013	Cho .....	H05K 7/00 361/679.01

\* cited by examiner

*Primary Examiner* — Mark Goodwin  
(74) *Attorney, Agent, or Firm* — Rabin & Berdo, P.C.

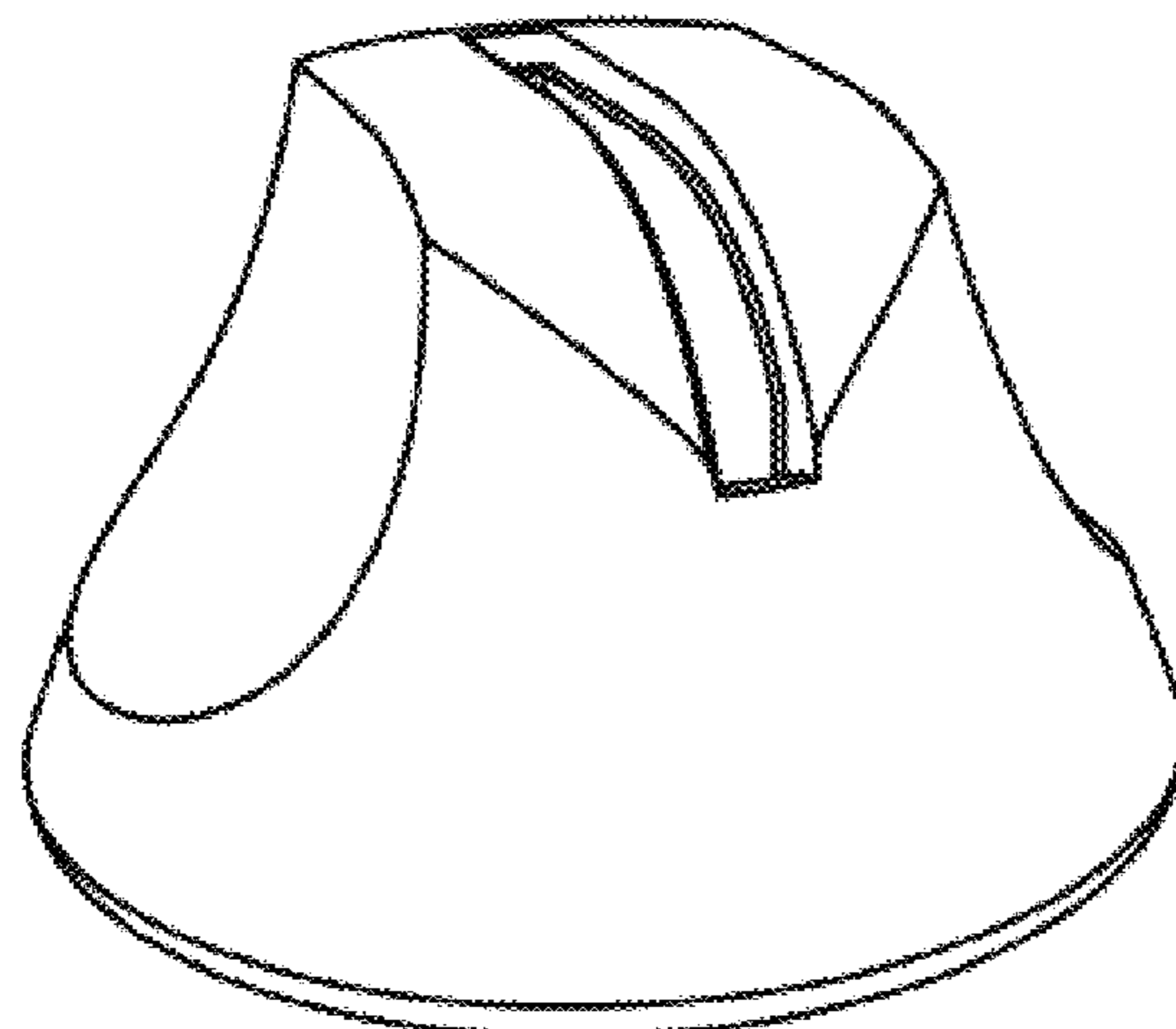
(57) **CLAIM**

The ornamental design for a mounting device, as shown and described.

**DESCRIPTION**

FIG. 1 is a perspective view of a mounting device showing my new design;  
 FIG. 2 is a front elevational view thereof;  
 FIG. 3 is a rear elevational view thereof;  
 FIG. 4 is a left side elevational view thereof;  
 FIG. 5 is a right side elevational view thereof;  
 FIG. 6 is a top view thereof;  
 FIG. 7 is a bottom view thereof;  
 FIG. 8 is a perspective view thereof in use; and,  
 FIG. 9 is another perspective view thereof in use.  
 Broken lines are included herein for illustrative purposes only and form no part of the claimed design.

**1 Claim, 6 Drawing Sheets**



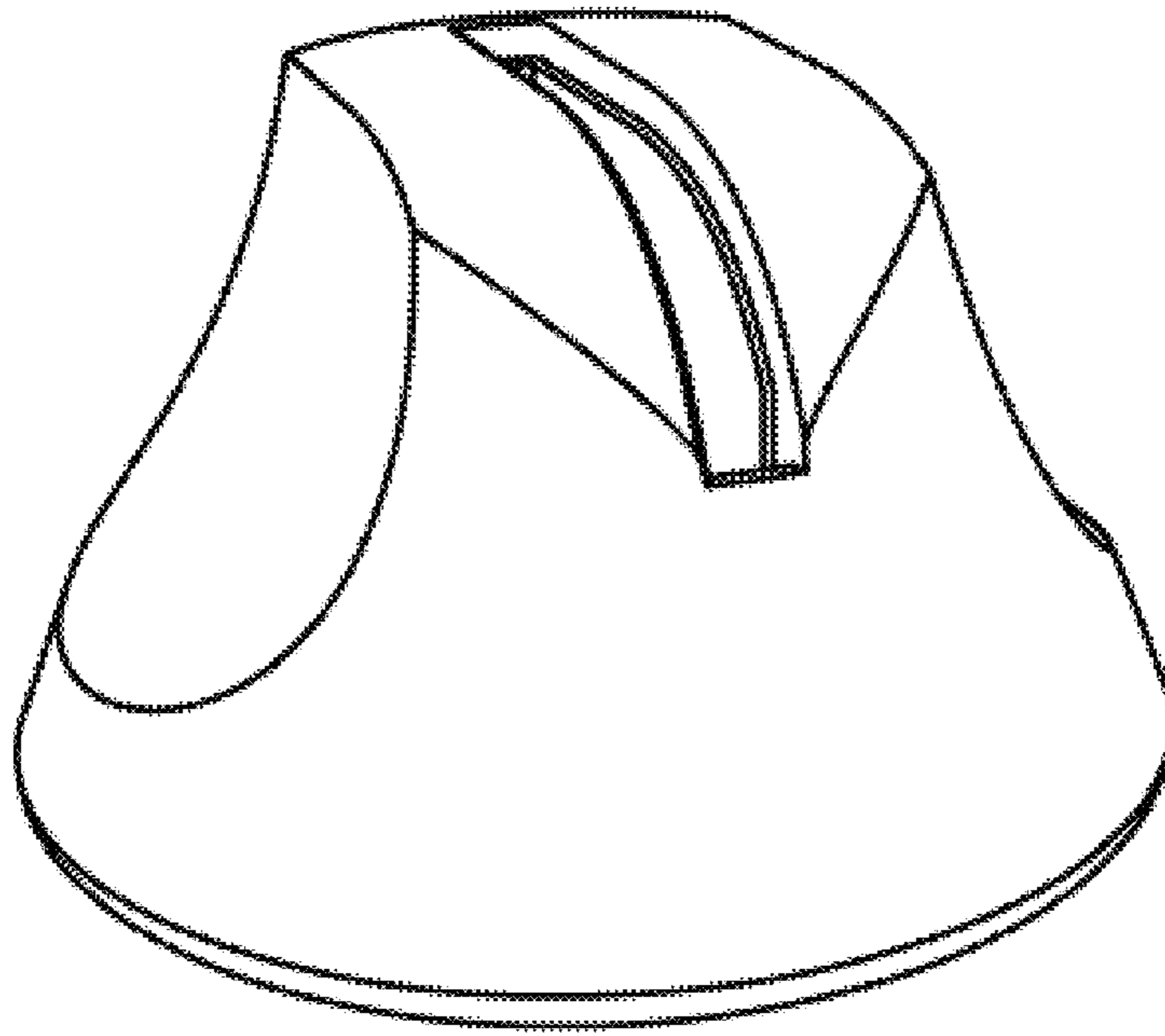


FIG.1

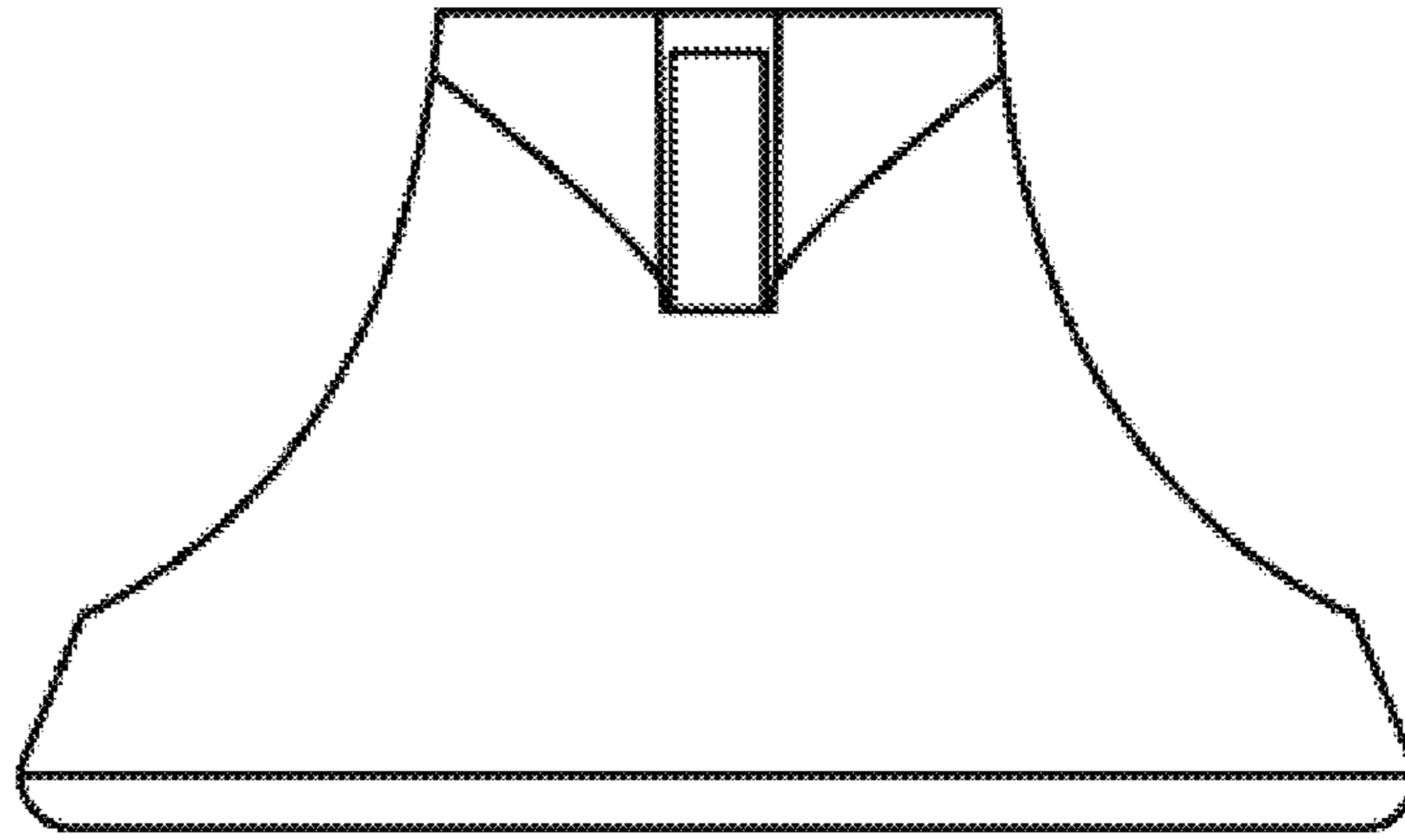


FIG. 2

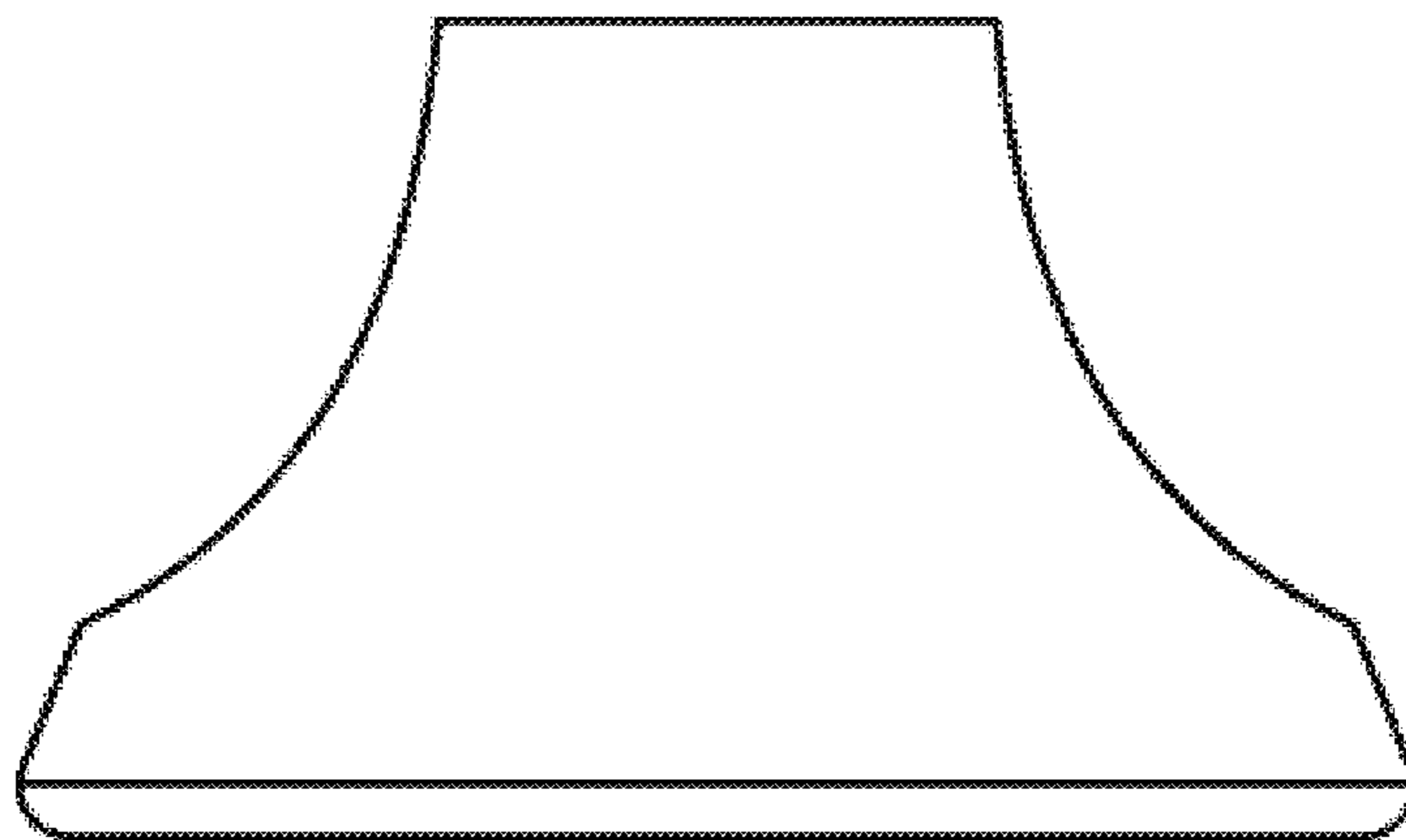


FIG. 3

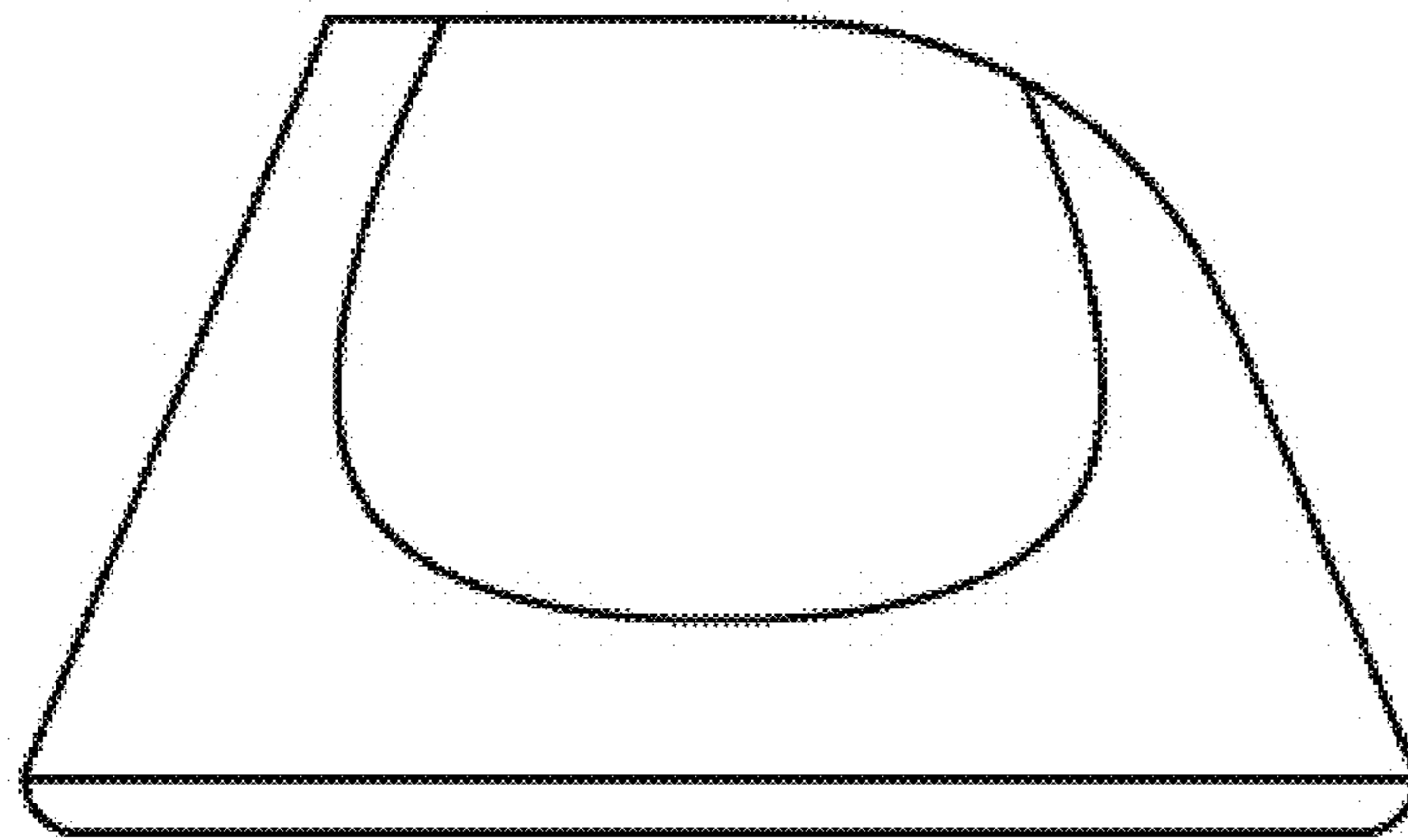


FIG. 4

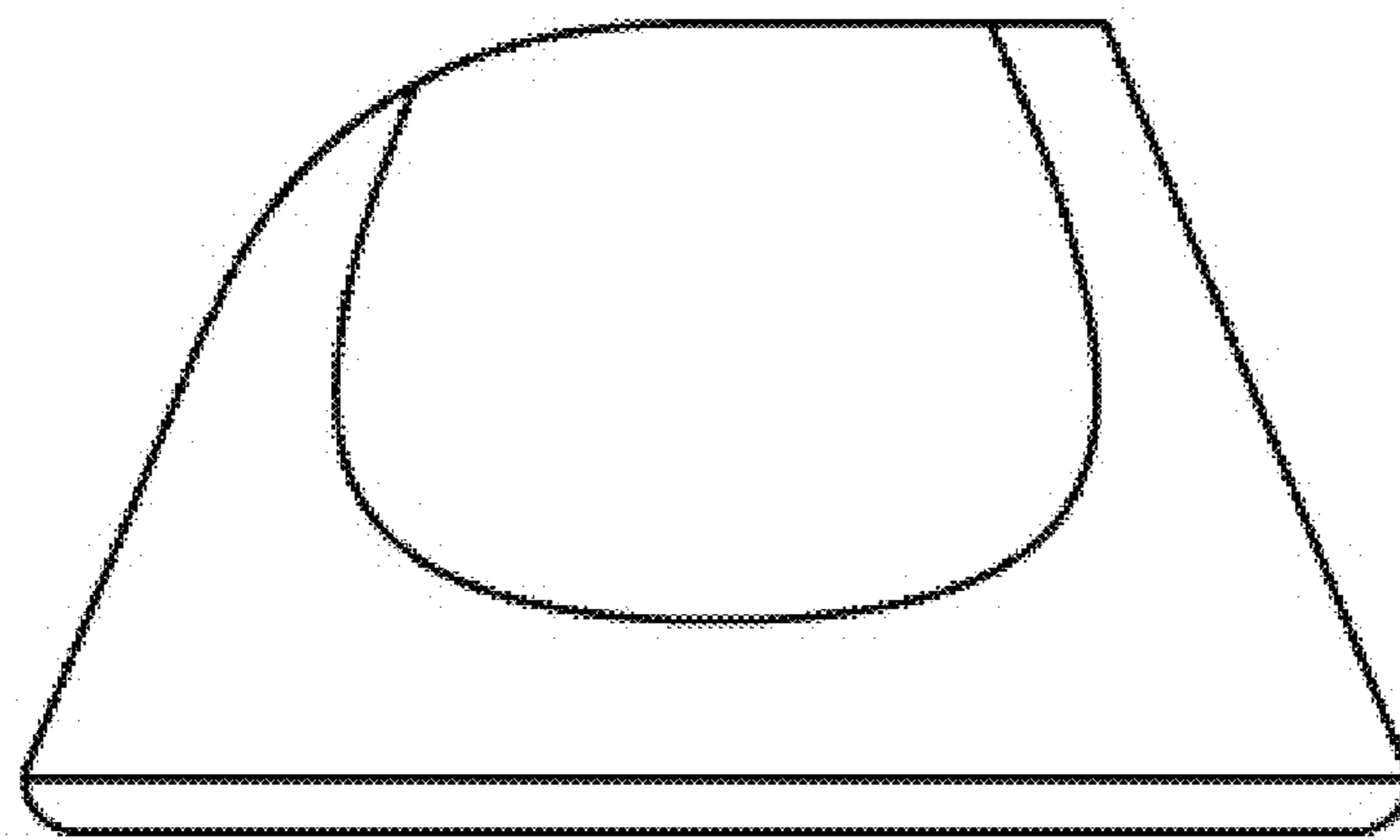


FIG. 5

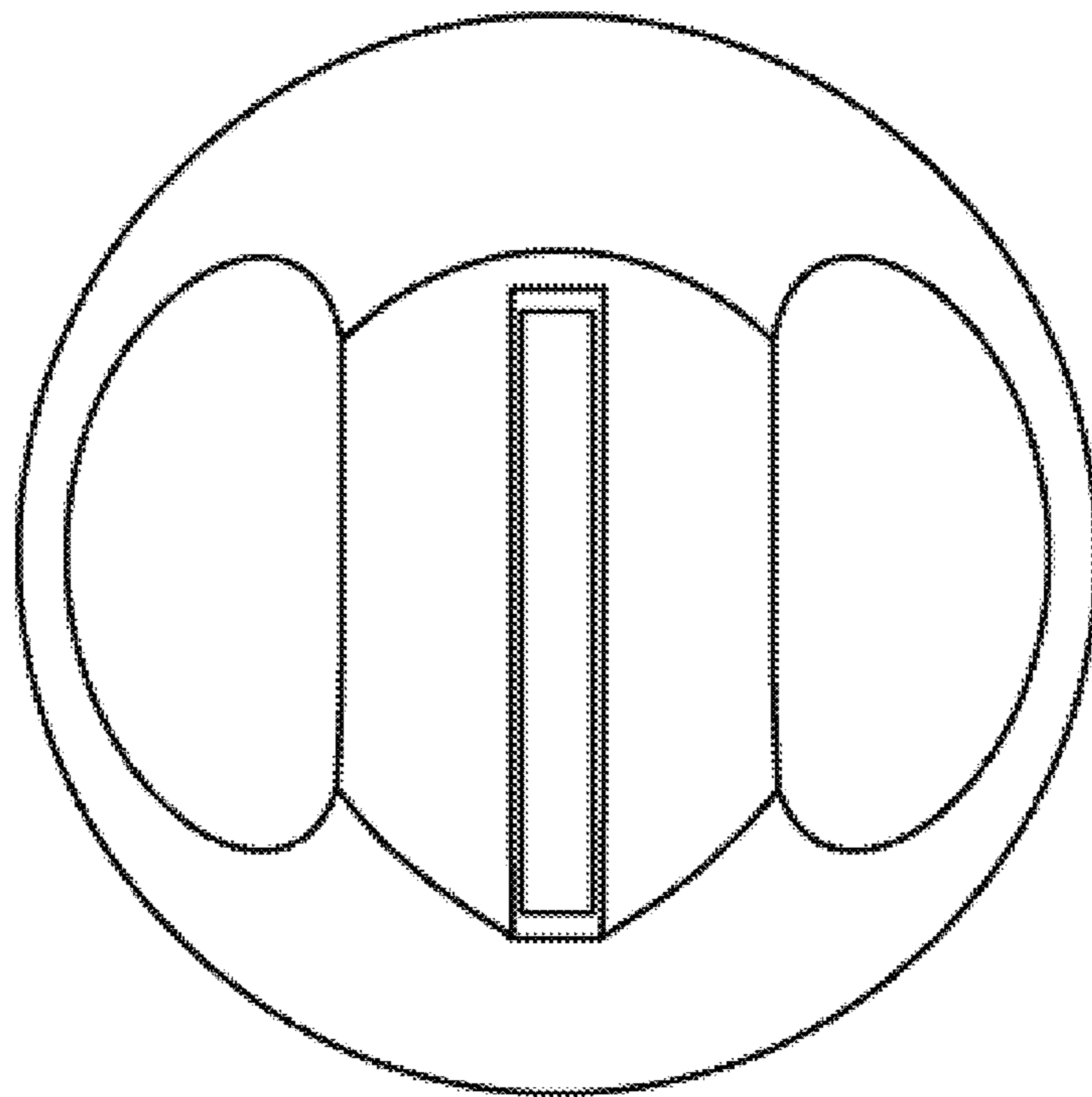


FIG. 6

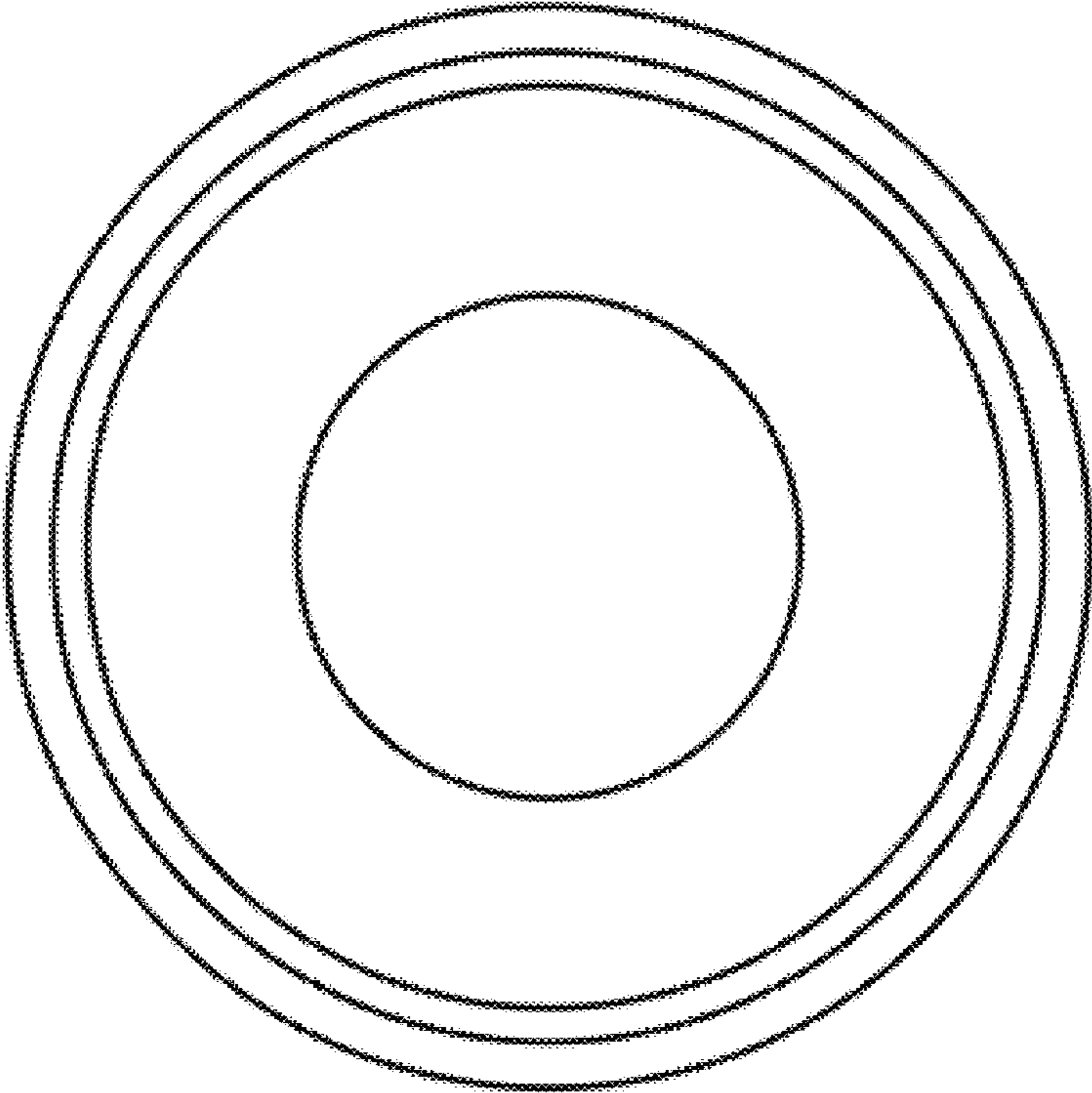


FIG.7

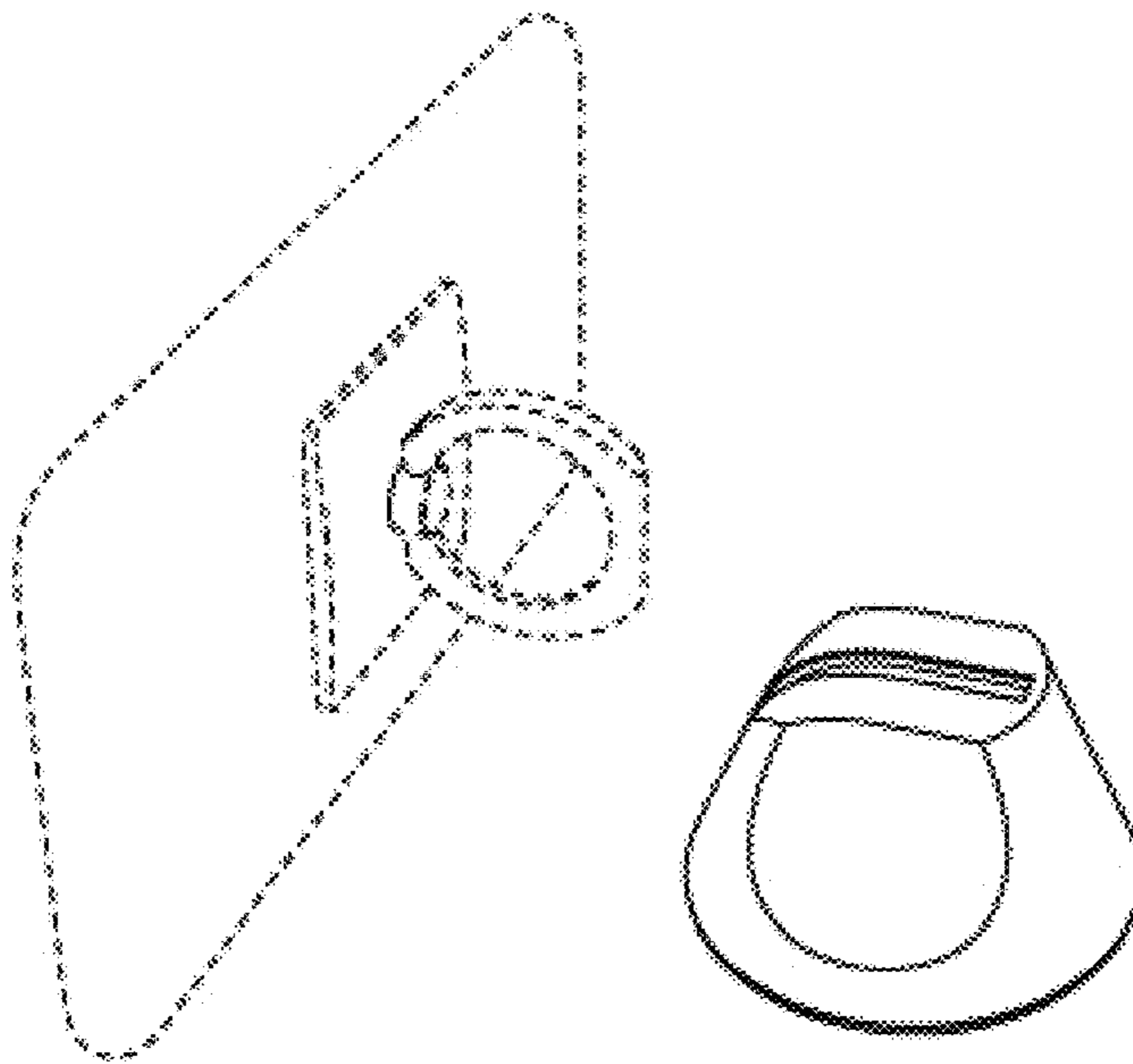


FIG. 8

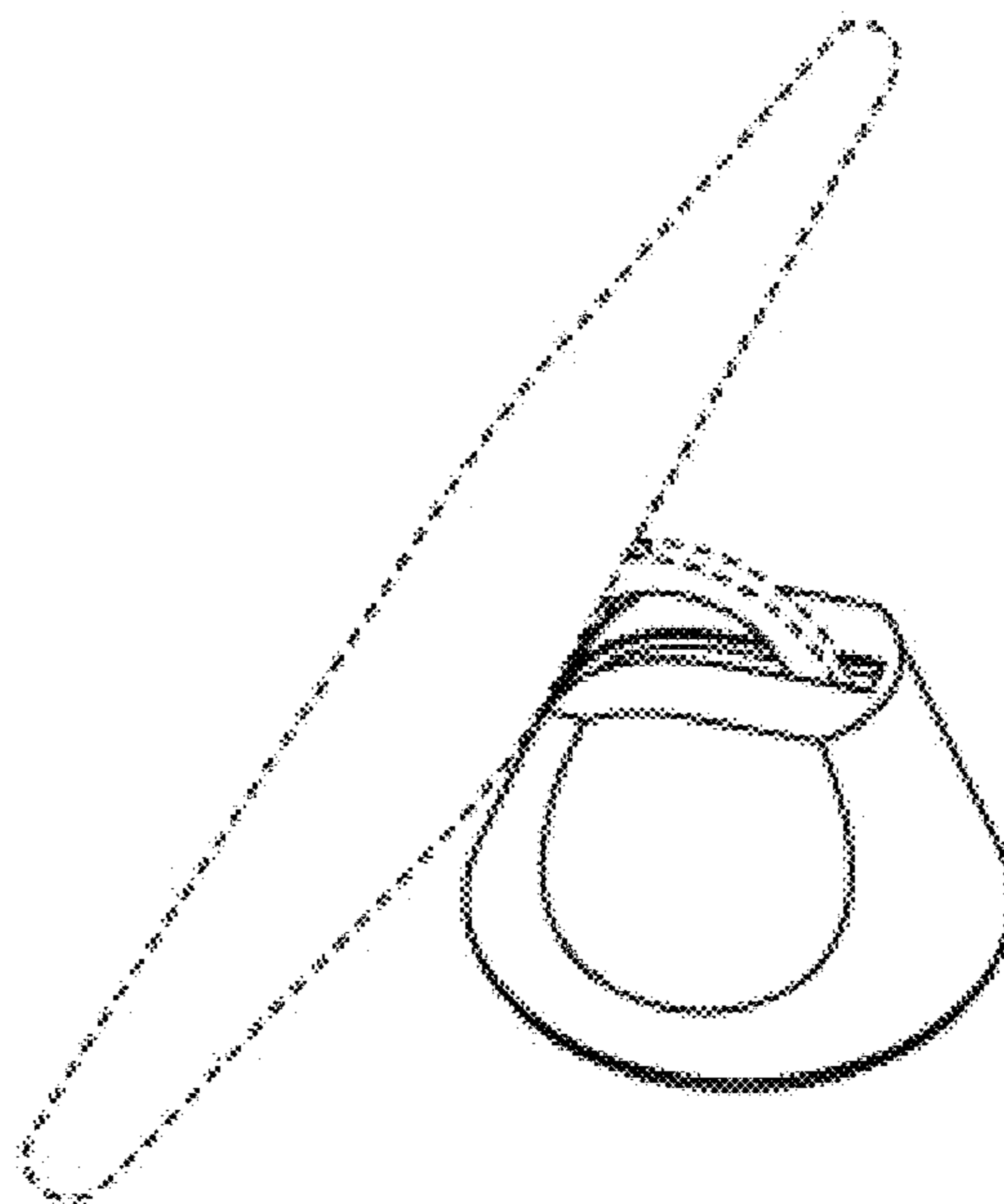


FIG. 9