



US00D820662S

(12) **United States Design Patent**  
**Kuchler**

(10) **Patent No.:** **US D820,662 S**  
(45) **Date of Patent:** **\*\* Jun. 19, 2018**

(54) **FASTENER FOR BICYCLE**  
(71) Applicant: **ABUS August Bremicker Söhne KG,**  
Welter-Volmarstein (DE)  
(72) Inventor: **Marcus Kuchler,** Munich (DE)  
(73) Assignee: **ABUS AUGUST BREMICKER**  
**SÖHNE KG,** Wetter-Volmarstein (DE)  
(\*\*) Term: **15 Years**

4,151,897 A \* 5/1979 Schoch ..... B62L 1/12  
188/24.19  
4,324,119 A \* 4/1982 Mitton ..... B62H 5/00  
301/114  
4,674,306 A 6/1987 Halpern  
D325,332 S \* 4/1992 Oberhelman ..... D8/333  
D352,223 S \* 11/1994 Shieh ..... D8/333  
5,653,365 A \* 8/1997 Lee ..... B62H 5/00  
224/445  
D389,031 S \* 1/1998 Lam ..... D8/333  
5,950,506 A 9/1999 Busse  
D414,675 S \* 10/1999 Niswanger ..... D8/333  
(Continued)

(21) Appl. No.: **29/588,137**

**FOREIGN PATENT DOCUMENTS**

(22) Filed: **Dec. 19, 2016**

CN 2521330 Y 11/2002  
DE 29610148 U1 8/1996  
(Continued)

(30) **Foreign Application Priority Data**

Jun. 20, 2016 (EP) ..... 003229442  
(51) **LOC (11) Cl.** ..... **08-07**  
(52) **U.S. Cl.**  
USPC ..... **D8/333; D8/330**  
(58) **Field of Classification Search**  
USPC ..... D8/330-333, 339-343, 349, 382, 383,  
D8/394, 396; 70/14-16, 19, 57, 57.1, 58,  
70/141, 158, 224, 225, 226, 233, 431,  
70/416, 465; 292/246-256, 299, 307 R;  
24/17 AP, 16 R, 17 B, 19, 629; 248/73,  
248/74.3  
CPC ..... A01K 27/00; B65D 55/14; E05B 67/36;  
E05B 73/00; E05B 67/06; B62H 5/00;  
B62H 5/18; B62H 5/003  
See application file for complete search history.

*Primary Examiner* — Prabhakar G Deshmukh  
(74) *Attorney, Agent, or Firm* — Harness, Dickey &  
Pierce, P.L.C.

(57) **CLAIM**

The ornamental design for a fastener for bicycle, as shown and described.

**DESCRIPTION**

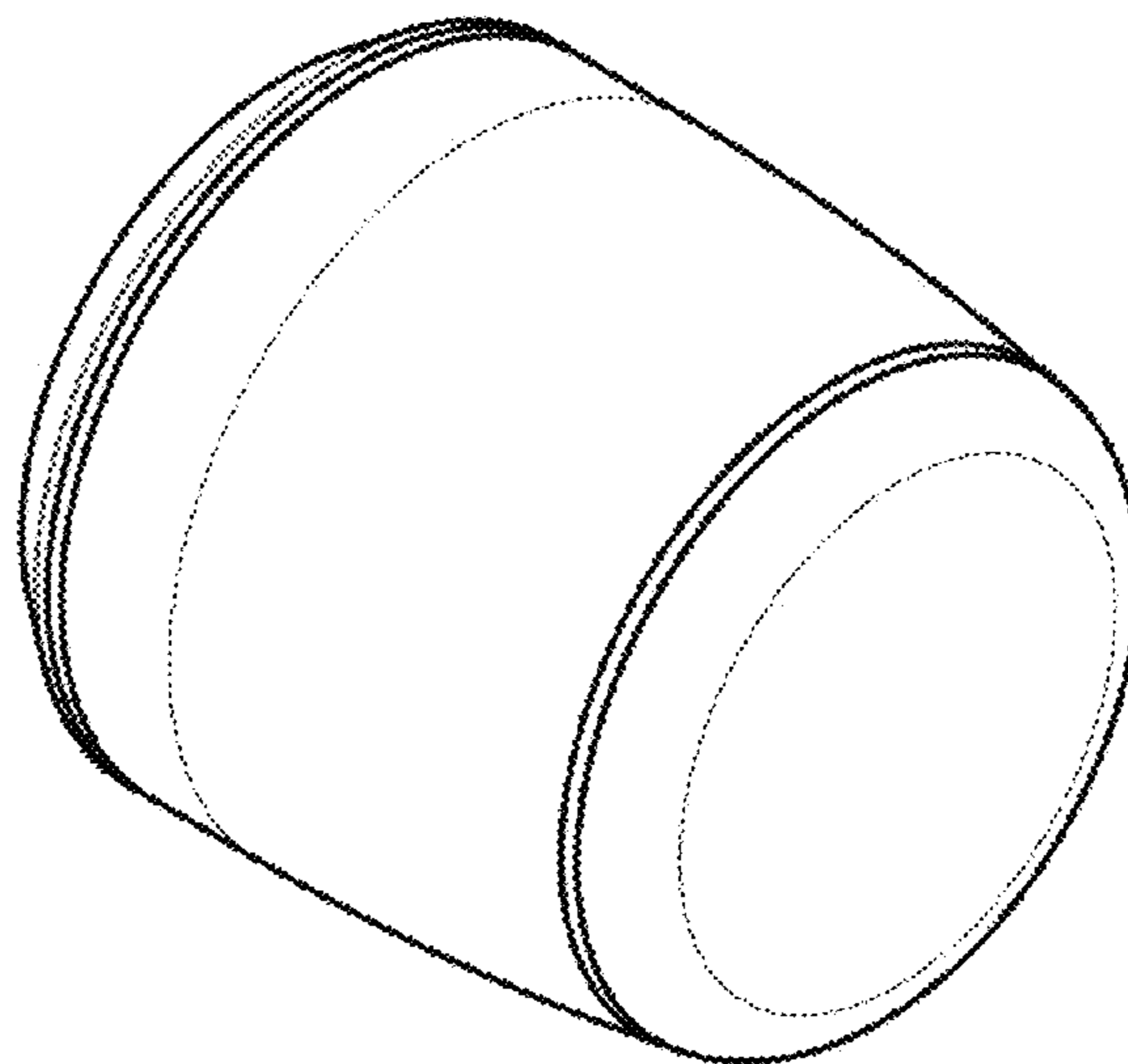
FIG. 1 is a perspective view of a fastener for bicycle showing my new design, shown in a closed position; FIG. 2 is a right side elevational view thereof, the left, top and bottom being a mirror image thereof; FIG. 3 is a front elevational view thereof; FIG. 4 is a rear elevational view thereof; FIG. 5 is a perspective view thereof, shown in an open position; and, FIG. 6 is a right side elevational view of FIG. 5, the left, top and bottom being a mirror image thereof. The broken lines illustrate unclaimed portions and form no part of the claimed design.

(56) **References Cited**

**U.S. PATENT DOCUMENTS**

3,930,428 A \* 1/1976 Hale ..... B25B 13/485  
411/402  
3,965,708 A \* 6/1976 Smiley ..... B60B 7/16  
301/37.21

**1 Claim, 3 Drawing Sheets**



(56)

**References Cited**

U.S. PATENT DOCUMENTS

6,457,336 B1 \* 10/2002 Bremicker ..... B62H 5/18  
70/233  
8,156,774 B2 4/2012 Tribout et al.  
D700,037 S \* 2/2014 Lohmann ..... D8/330  
D707,529 S \* 6/2014 Fretz ..... D8/330  
2002/0139153 A1 \* 10/2002 Tsai ..... B62H 5/003  
70/18  
2010/0206021 A1 8/2010 Tribout et al.  
2010/0212380 A1 8/2010 Tribout  
2014/0178147 A1 6/2014 Lin

FOREIGN PATENT DOCUMENTS

EP 0853034 A2 7/1998  
FR 2885344 A1 11/2006  
WO WO-2009027734 A2 3/2009  
WO 2011029591 A1 3/2011

\* cited by examiner

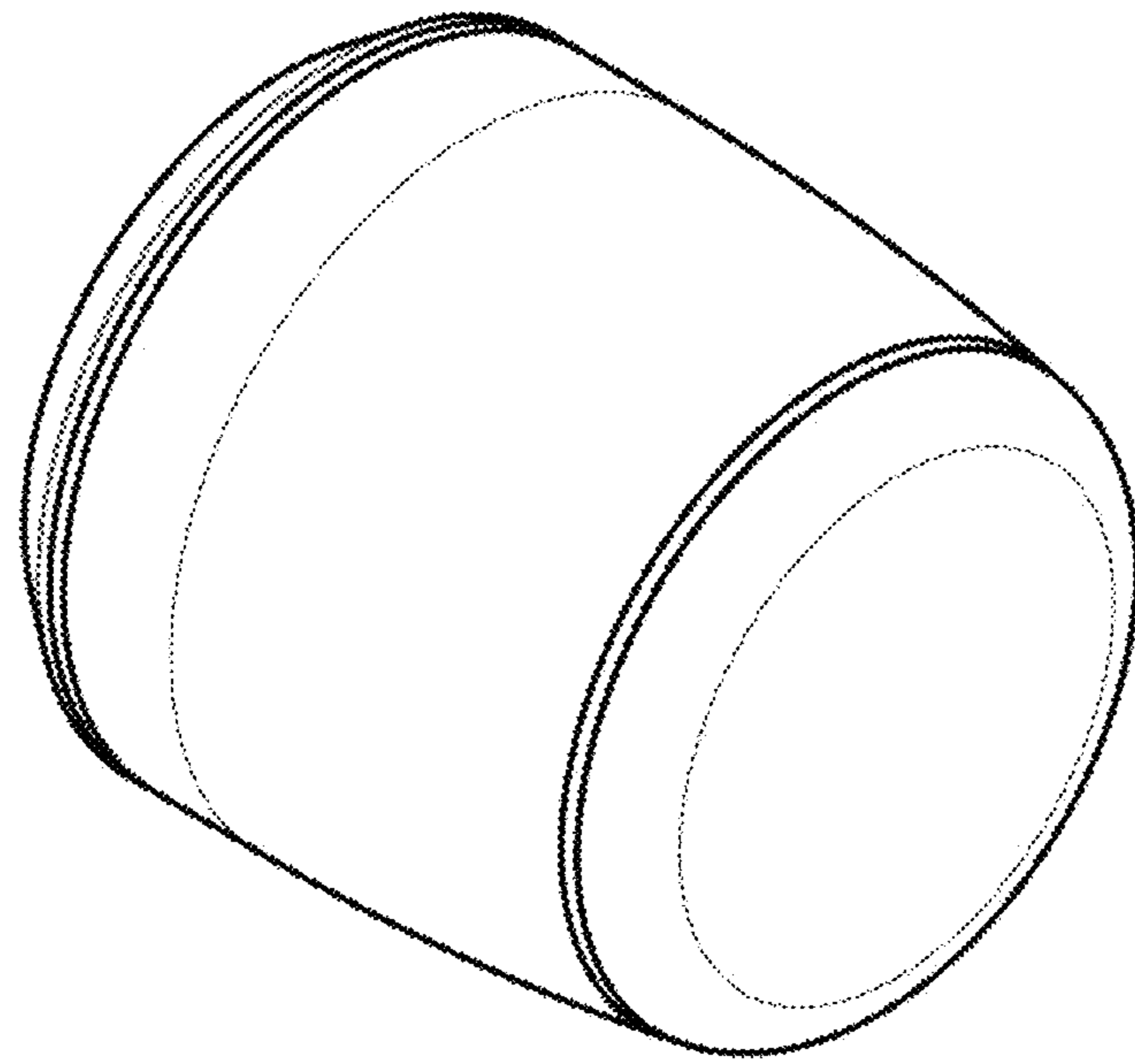


FIG. 1

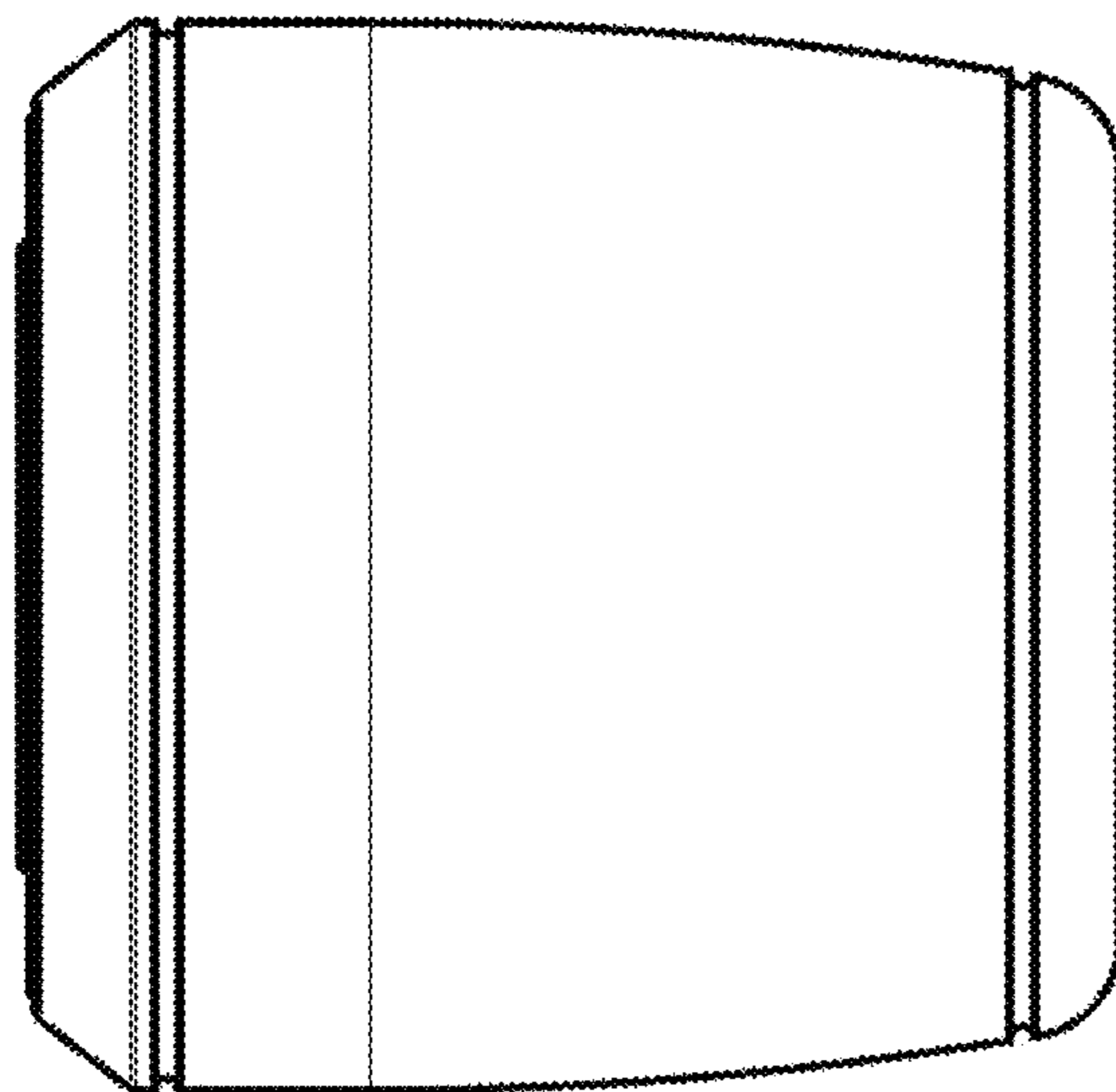


FIG. 2

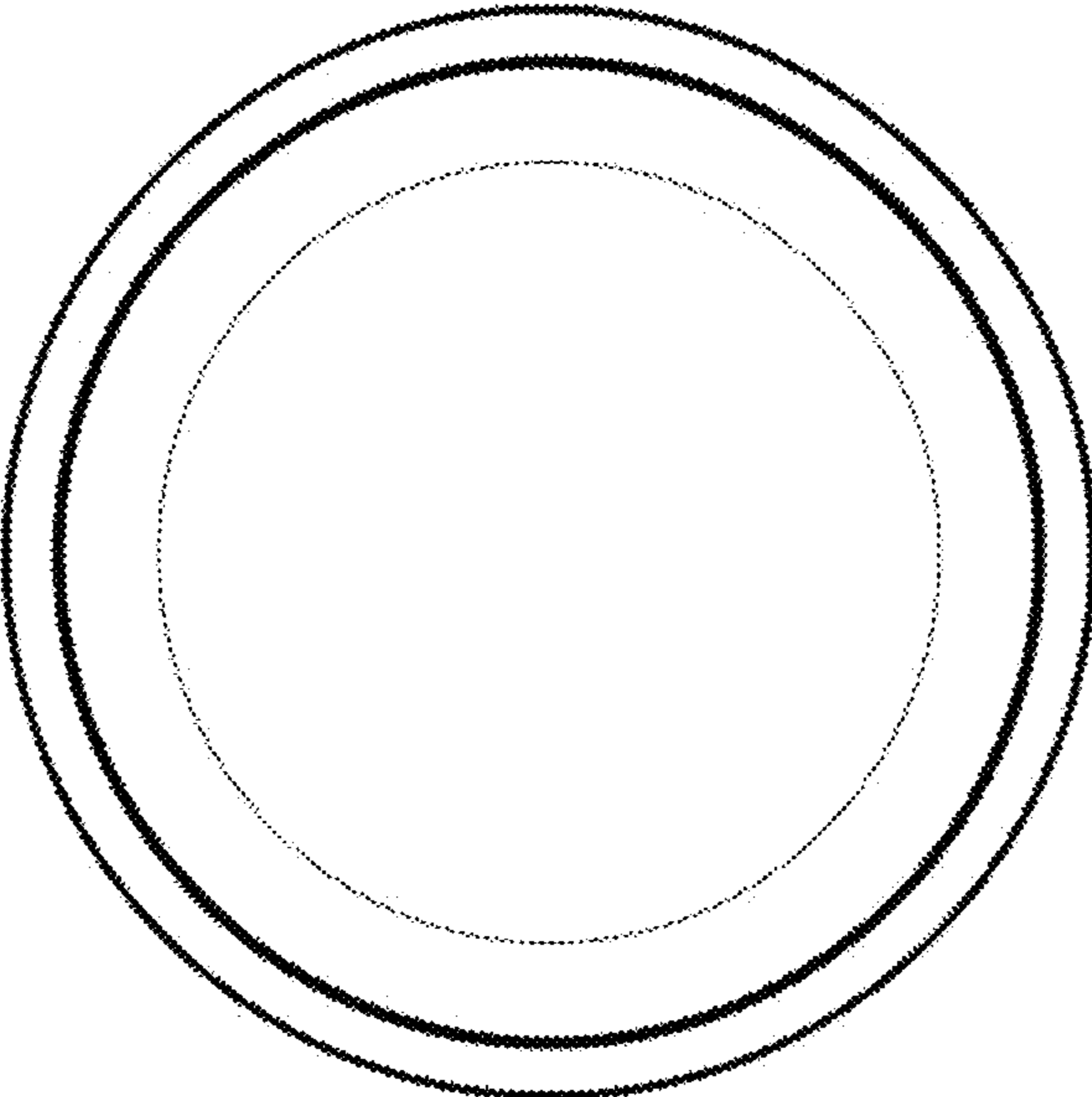


FIG. 3

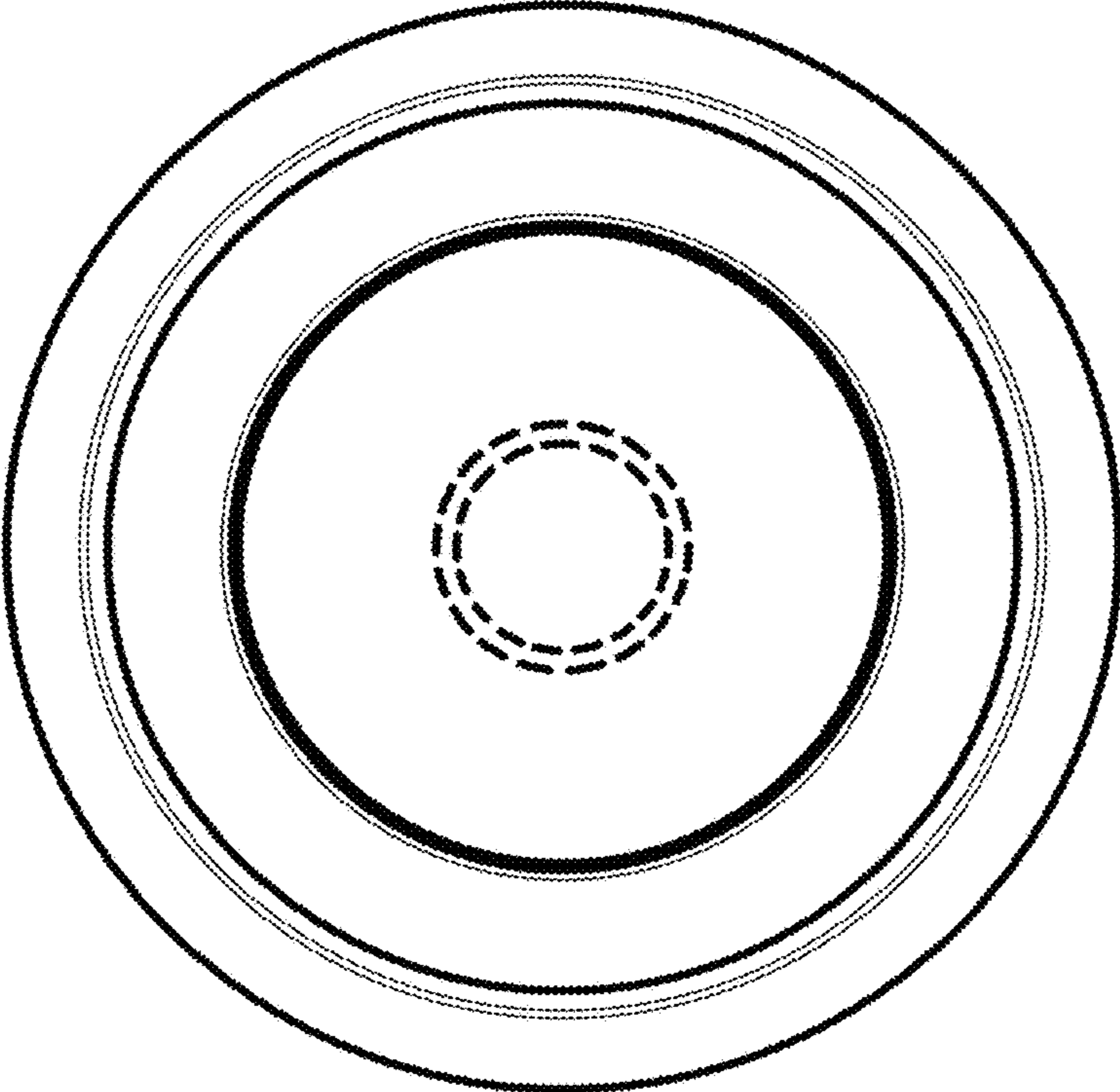


FIG. 4

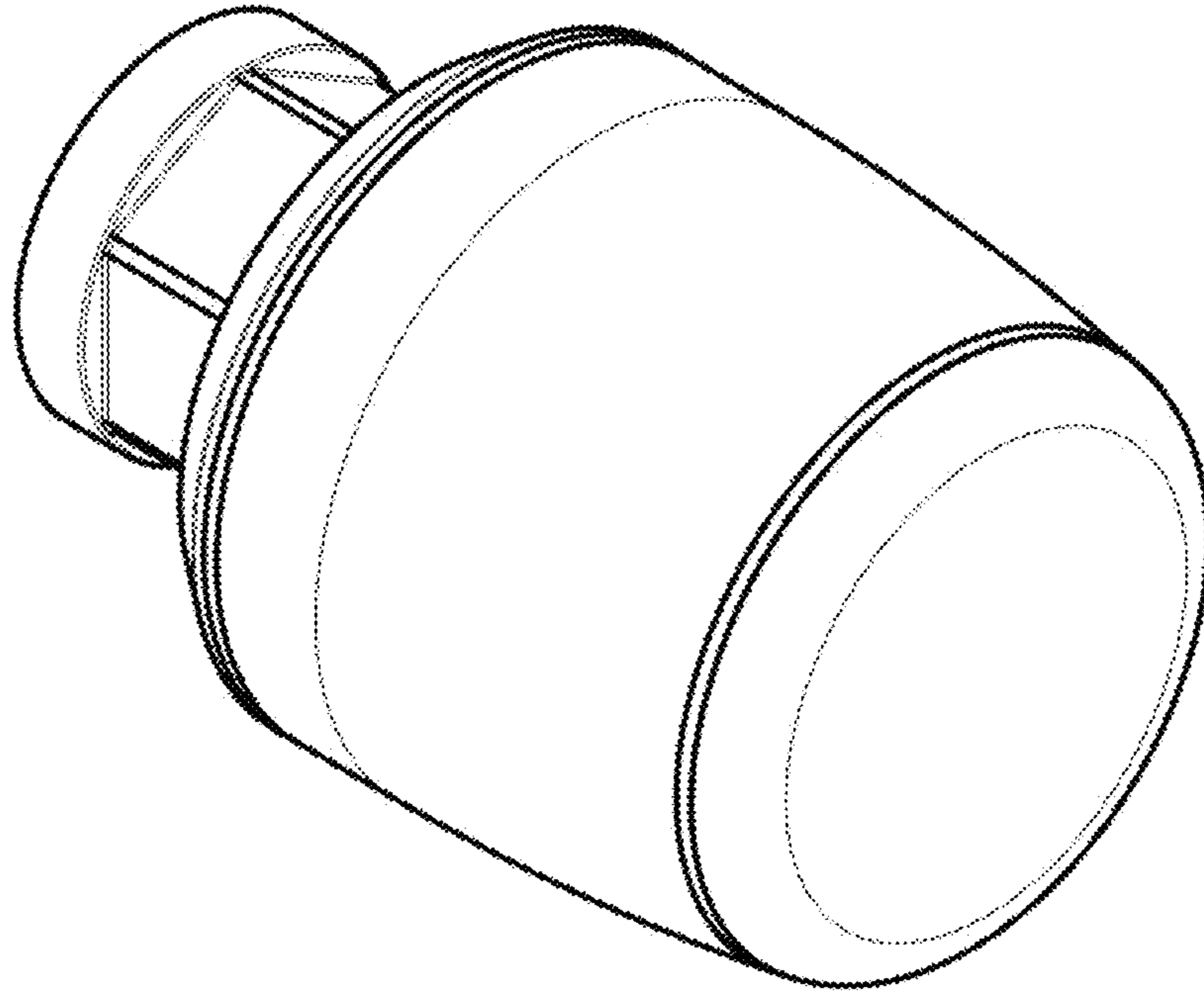


FIG. 5

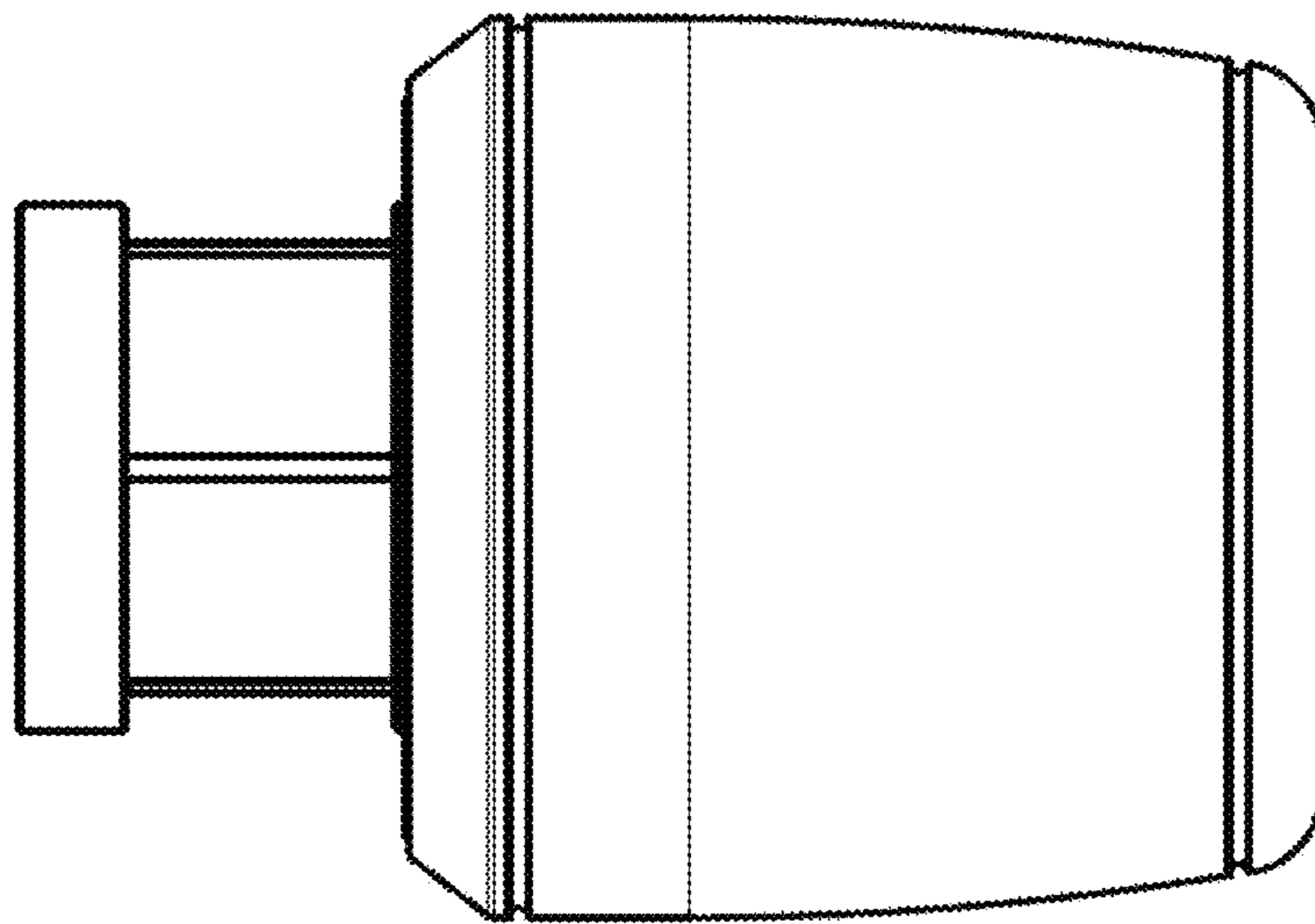


FIG. 6