



US00D820661S

(12) **United States Design Patent**  
**Shargh**

(10) **Patent No.:** **US D820,661 S**  
(45) **Date of Patent:** **\*\* Jun. 19, 2018**

(54) **DOOR HANDLE**

D500,242 S 12/2004 Keller et al.  
D552,959 S \* 10/2007 Gilboe ..... D8/317  
D587,091 S 2/2009 Chen

(71) Applicant: **HAMPTON PRODUCTS INTERNATIONAL CORPORATION**,  
Foothill Ranch, CA (US)

(Continued)

(72) Inventor: **Hossein Molaie Shargh**, Santa  
Margarita, CA (US)

(73) Assignee: **Hampton Products International Corporation**, Foothill Ranch, CA (US)

**OTHER PUBLICATIONS**

Vanderbilt Door Handles/Pulls, posted 2015, [retrieved Mar. 26, 2018]. Retrieved from Internet, <URL: <http://www.keytiger.com/vanderbilt-modern-contemporary-door-pulls-handles-stainless-steel-designer-long-large-entrance-entry-glass-wooden-shopfront.php>>.\*

(Continued)

(\*\*) Term: **15 Years**

*Primary Examiner* — Barbara Fox

(21) Appl. No.: **29/609,268**

*Assistant Examiner* — Kristin E Reed

(22) Filed: **Jun. 29, 2017**

(74) *Attorney, Agent, or Firm* — Klein, O'Neill & Singh, LLP

(51) **LOC (11) Cl.** ..... **08-06**

(52) **U.S. Cl.**  
USPC ..... **D8/315**

(57) **CLAIM**

The ornamental design for a door handle, as shown and described.

(58) **Field of Classification Search**  
USPC .... D8/1, 6–13, 94, 107, 315, 317, 303, 321,  
D8/322; D6/522, 524  
CPC .. A01B 1/22; A01D 1/14; A47B 95/02; A47B  
2095/022; A47B 2095/023; A47B  
2095/024; A47B 2095/025; A47B  
2220/0047; F24C 15/00; F24C 15/02;  
F25D 23/00; F25D 23/02  
See application file for complete search history.

**DESCRIPTION**

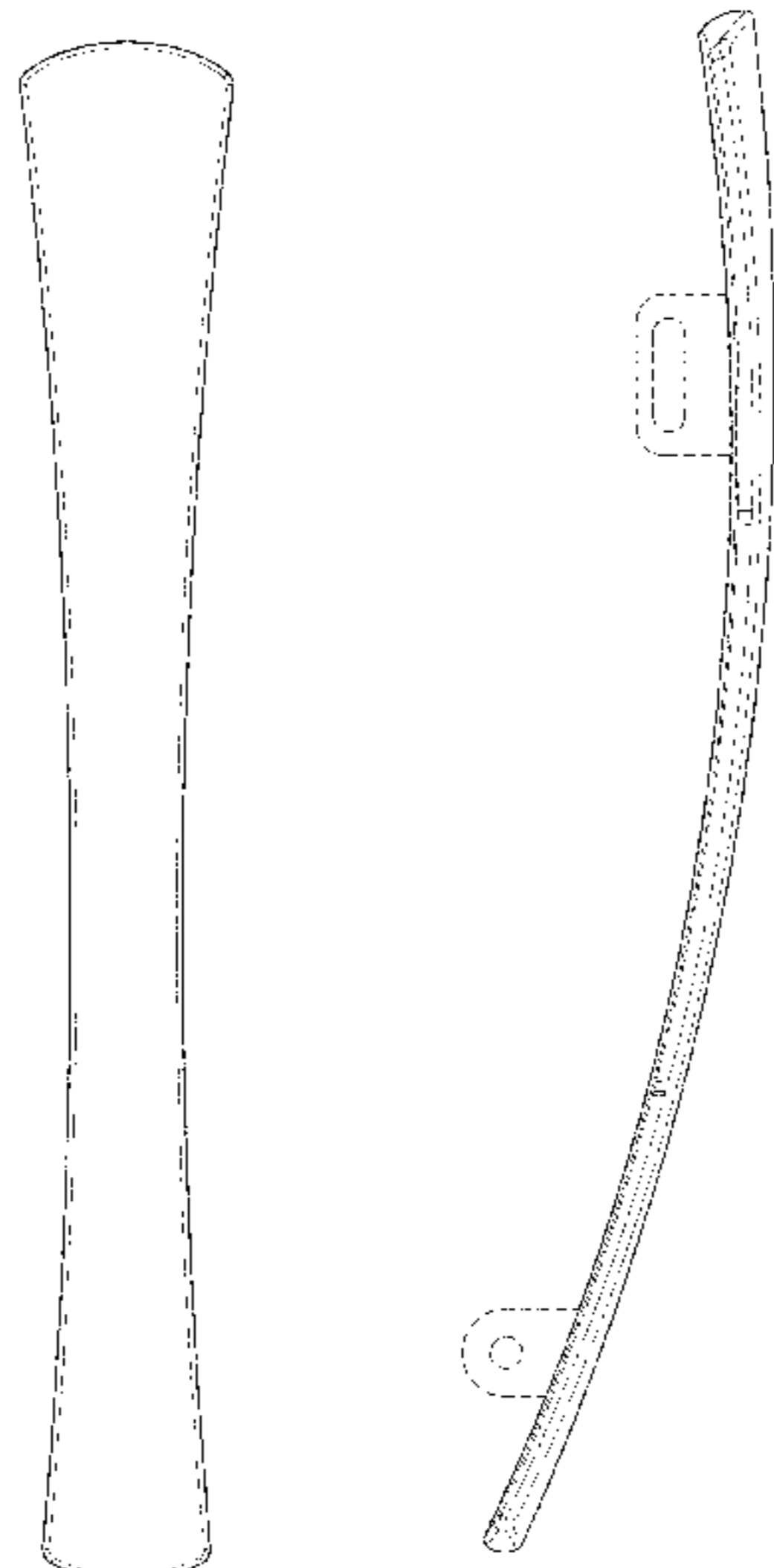
FIG. 1 is a perspective view, taken from the top, front, and right side, of a door handle, in accordance with my new design;  
FIG. 2 is a front elevation view of the door handle shown in FIG. 1;  
FIG. 3 is a rear elevation view of the door handle shown in FIG. 1;  
FIG. 4 is a side elevation view of the door handle shown in FIG. 1, taken from the left side of FIG. 1;  
FIG. 5 is a side elevation view of the door handle shown in FIG. 1, taken from the right side of FIG. 1;  
FIG. 6 is a top plan view of the door handle shown in FIG. 1; and,  
FIG. 7 is a bottom plan view of the door handle shown in FIG. 1.  
The broken lines illustrate environmental structure which forms no part of the claimed design.

(56) **References Cited**

**U.S. PATENT DOCUMENTS**

D184,124 S \* 12/1958 Ferar ..... D8/317  
D189,125 S \* 11/1960 Faber ..... D8/317  
D198,201 S \* 5/1964 Clayton ..... D8/317  
D204,663 S 5/1966 Loeb  
D206,794 S \* 1/1967 Clayton ..... D8/317  
D267,926 S 2/1983 Pittenger  
D329,369 S \* 9/1992 Martin ..... D8/302  
D434,113 S 11/2000 Lord  
D498,656 S 11/2004 Parker

**1 Claim, 3 Drawing Sheets**



(56)

**References Cited**

## U.S. PATENT DOCUMENTS

D600,529 S \* 9/2009 Nicholson ..... D8/315  
D614,013 S \* 4/2010 Saubert ..... D15/89  
8,506,027 B2 \* 8/2013 Klaus ..... A47B 95/02  
16/412  
D695,062 S 12/2013 Schreiber-Pethan et al.  
D739,703 S \* 9/2015 Shargh ..... D8/318  
D739,704 S \* 9/2015 Shargh ..... D8/318

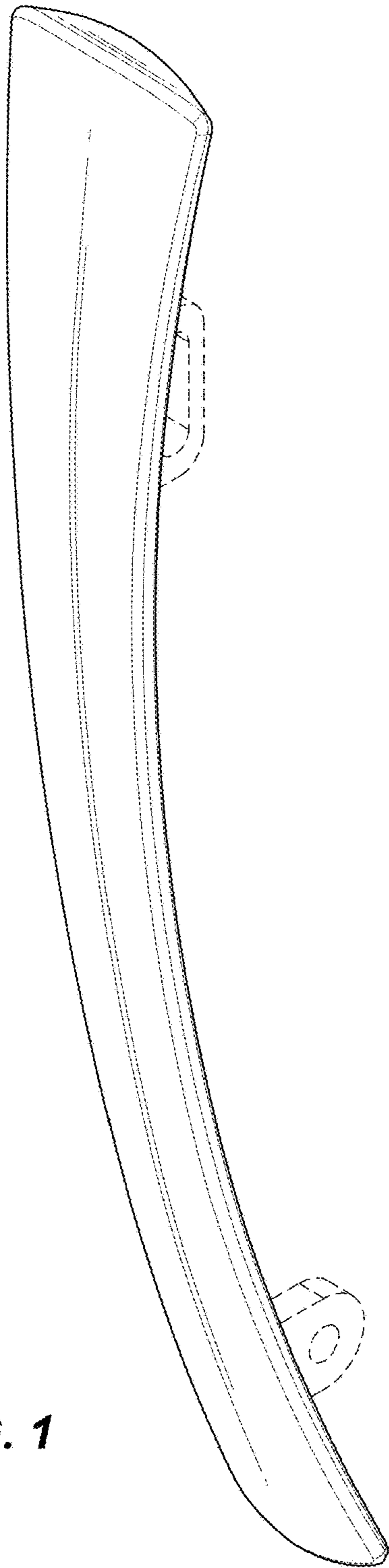
## OTHER PUBLICATIONS

Modern Cabinet Hardware There are More Brass Cabinet Handle, posted Feb. 20, 2017, [retrieved Mar. 26, 2018]. Retrieved from Internet, <URL: <http://diykidshouses.com/14433/modern-cabinet-hardware/modern-cabinet-hardware-there-are-more-brass-cabinet-handle/>>.\*

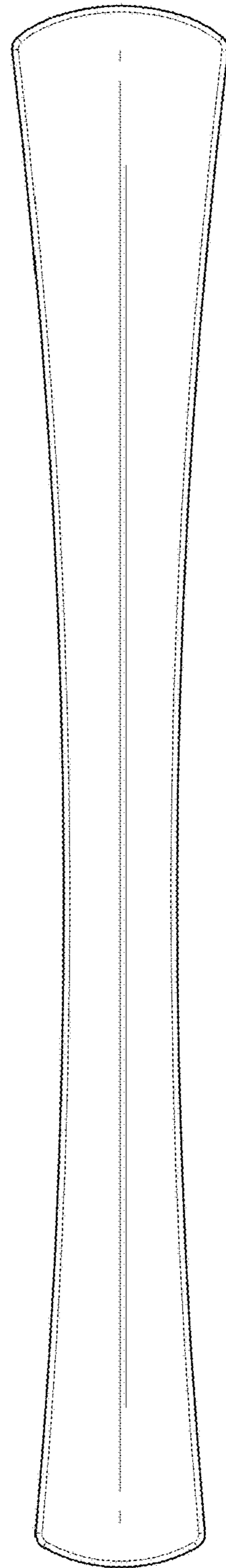
Liberty, 3-3/4 in. (96mm) Satin Nickel Arched Cabinet Pull, posted Mar. 12, 2013, [retrieved Mar. 26, 2018]. Retrieved from Internet, <URL: <https://www.homedepot.com/p/Liberty-3-3-4-in-96mm-Satin-Nickel-Arched-Cabinet-Pull-143609/203011911>>.\*

Liberty, 3-3/4 in. (76 or 96mm) Flat Black Step Edge Dual Mount Cabinet Pull, posted Sep. 2, 2010, [retrieved Mar. 26, 2018]. Retrieved from Internet, <URL: <https://www.homedepot.com/p/Liberty-3-or-3-3-4-in-76-or-96mm-Flat-Black-Step-Edge-Dual-Mount-Cabinet-Pull-P18949C-FB-C/203244377>>.\*

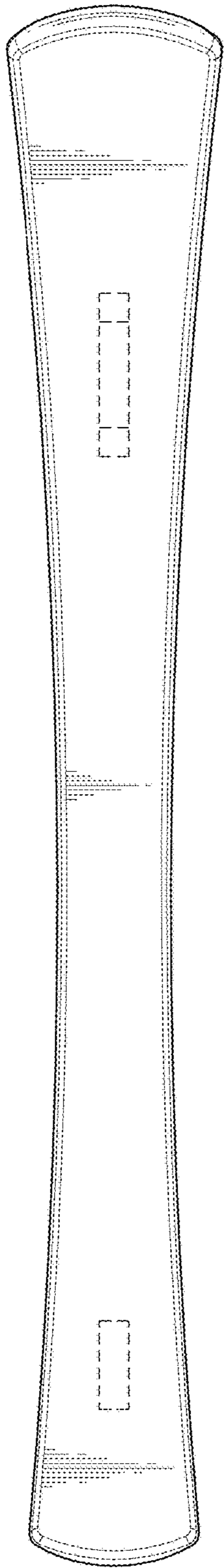
\* cited by examiner



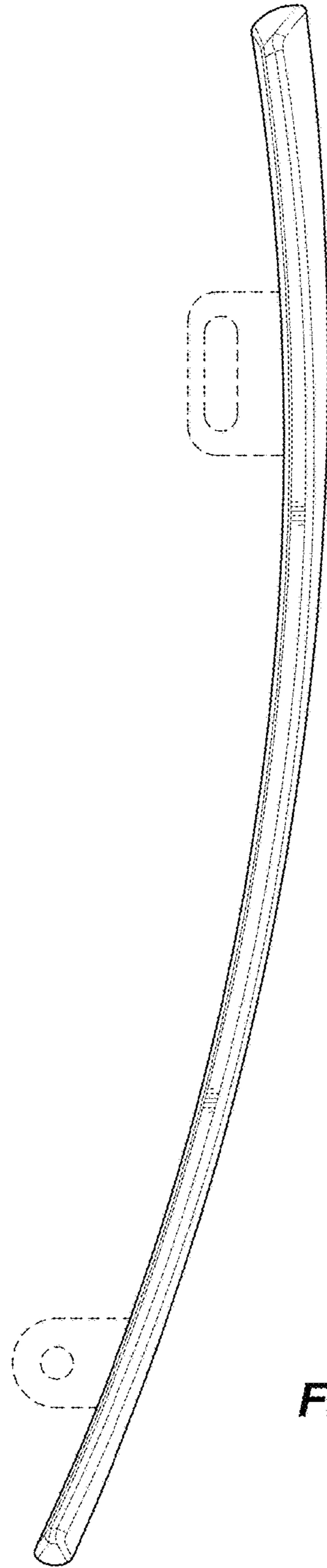
**FIG. 1**



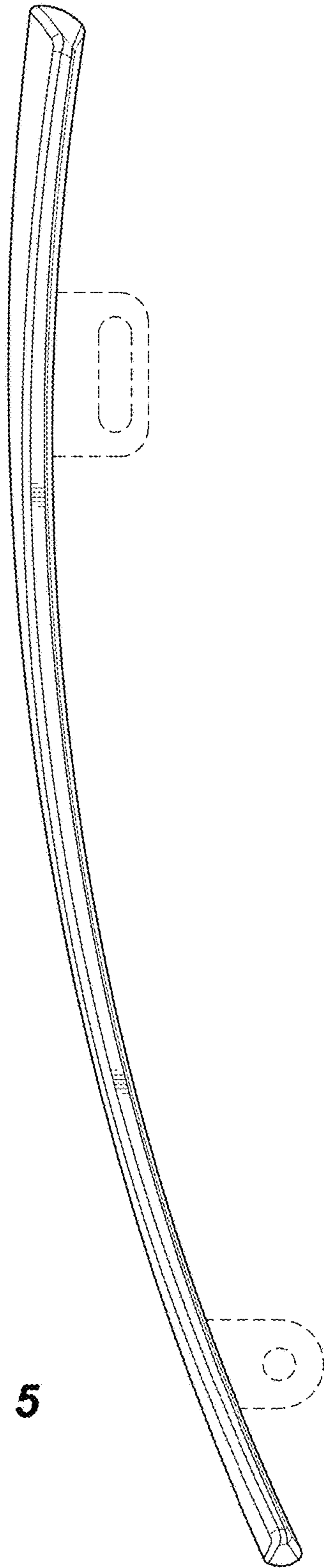
**FIG. 2**



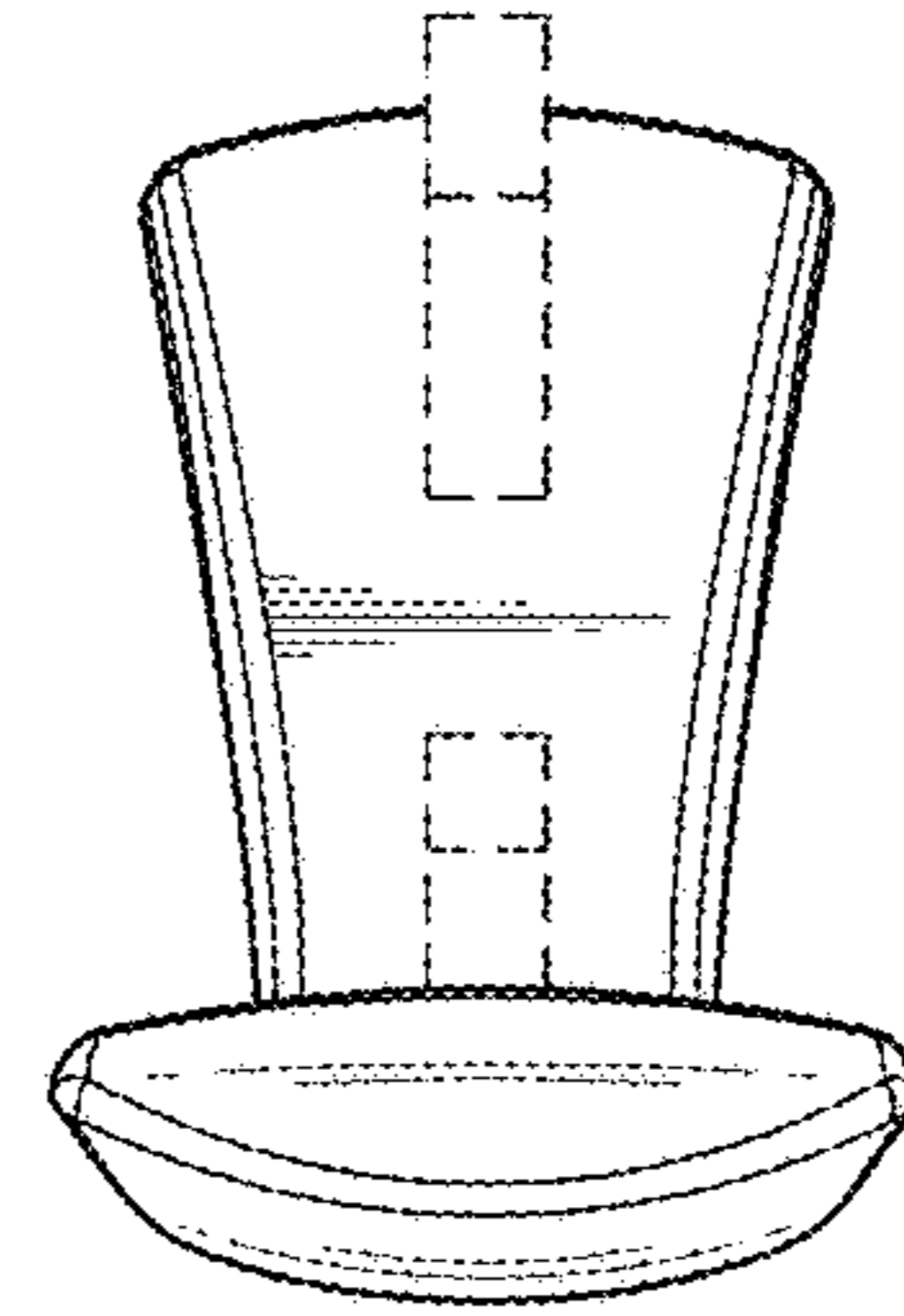
**FIG. 3**



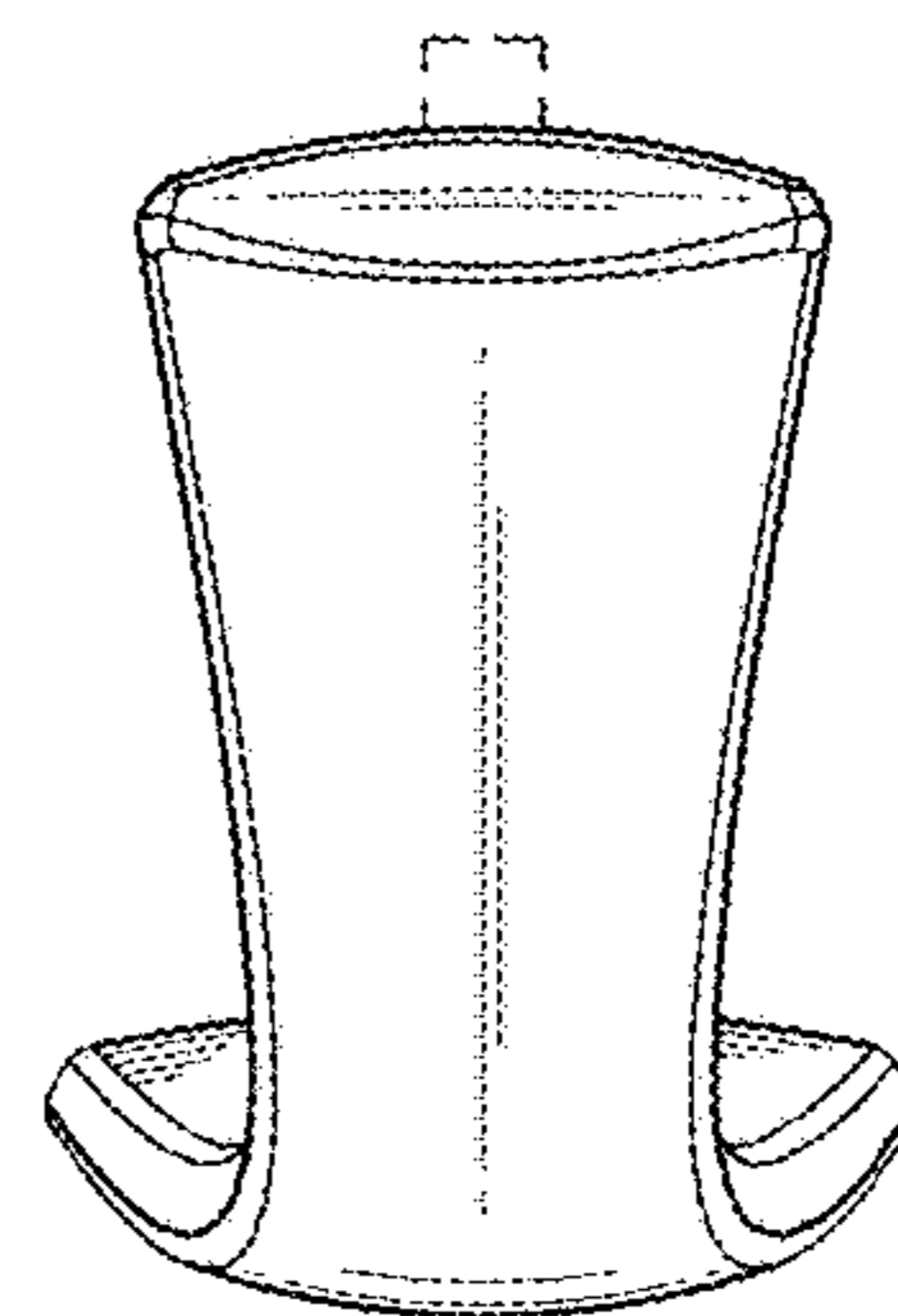
**FIG. 4**



**FIG. 5**



**FIG. 6**



**FIG. 7**