



US00D820660S

(12) **United States Design Patent**
Michael

(10) **Patent No.:** **US D820,660 S**
(45) **Date of Patent:** **** Jun. 19, 2018**

- (54) **DOOR KNOB ASSEMBLY**
- (71) Applicant: **Adi Michael**, East Meadow, NY (US)
- (72) Inventor: **Adi Michael**, East Meadow, NY (US)
- (**) Term: **15 Years**
- (21) Appl. No.: **29/581,111**
- (22) Filed: **Oct. 17, 2016**
- (51) **LOC (11) Cl.** **08-06**
- (52) **U.S. Cl.**
USPC **D8/301**
- (58) **Field of Classification Search**
USPC D8/300-302, 307-309, 310, 311,
D8/DIG. 10, 331, 338
CPC Y10T 16/44; Y10T 74/20612; Y10T
74/20732; Y10T 16/458; Y10T 16/498;
Y10T 16/469; Y10T 16/476; Y10T
74/20744; Y10T 74/20864; Y10T
16/4628; Y10T 74/20642; Y10T 16/473;
Y10T 74/20762; Y10T 74/2042; Y10T
74/20828; Y10T 16/459; Y10T 16/4713;
Y10T 74/2014; Y10T 16/50; Y10T
74/20438; Y10T 74/20582; Y10T
74/20738; Y10T 16/48; Y10T 74/20618;
Y10T 74/20684; Y10T 74/20624; Y10T
74/20468; Y10T 16/61; Y10T 16/4719;
Y10T 16/86; Y10S 16/30; Y10S 292/31;
Y10S 292/53; Y10S 16/12; Y10S 292/23;
Y10S 292/27; Y10S 292/30; Y10S
292/63; E05B 85/16; E05B 1/0015; E05B
77/06; E05B 79/06; E05B 85/18; E05B
85/12; E05B 85/10; E05B 7/00; E05B
1/0053; E05B 77/265

See application file for complete search history.

(56) **References Cited**

U.S. PATENT DOCUMENTS

- 2,023,941 A * 12/1935 Voight E05B 9/084
70/224
- 2,062,487 A * 12/1936 Voight E05B 9/084
70/224

- 2,610,877 A * 9/1952 Weaver E05B 13/001
16/82
- 2,693,692 A * 11/1954 Erkkila E05B 55/005
70/474
- 2,707,386 A * 5/1955 Falk E05B 55/005
70/207
- 2,721,597 A * 10/1955 Pitrella E05B 1/0061
150/155
- 2,726,891 A * 12/1955 Gresham E05B 55/005
292/124
- 4,672,829 A * 6/1987 Gater E05B 55/005
70/224
- 4,884,834 A * 12/1989 Ozagir E05B 1/0015
292/350
- 5,113,675 A * 5/1992 Uyeda E05B 13/10
292/358

(Continued)

Primary Examiner — Lauren R Calve

(74) *Attorney, Agent, or Firm* — Antonio Papageorgiou,
Esq.; Meister Seelig & Fein LLP

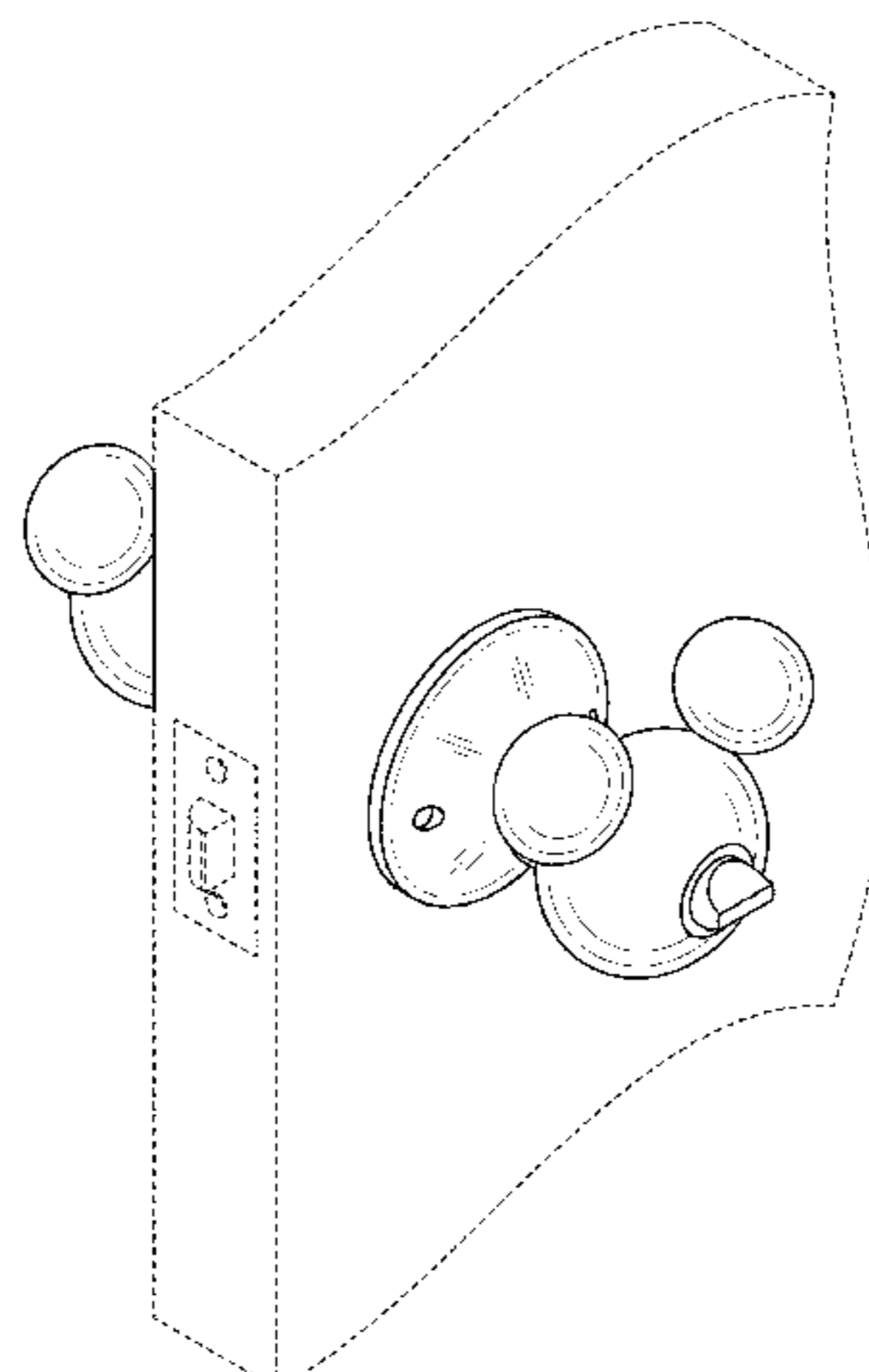
(57) **CLAIM**

The ornamental design for a door knob assembly, as shown
and described.

DESCRIPTION

FIG. 1 is a front perspective view of a door knob assembly
according to my new design;
FIG. 2 is a rear perspective view thereof;
FIG. 3 is a front elevation view thereof;
FIG. 4 is a back elevation view thereof;
FIG. 5 is a left side elevation view thereof;
FIG. 6 is a right side elevation view thereof;
FIG. 7 is a top plan view thereof; and,
FIG. 8 is a bottom plan view thereof.
The broken lines shown represent unclaimed subject matter
and form no part of the claimed design.

1 Claim, 8 Drawing Sheets



(56)

References Cited

U.S. PATENT DOCUMENTS

5,419,728 A * 5/1995 Dallara A63H 33/28
446/15
D425,641 S * 5/2000 Miller D26/26
D521,505 S * 5/2006 Shively D13/174
8,100,443 B2 * 1/2012 Talpe E05B 13/005
292/336.3
D691,447 S * 10/2013 Weathersby D8/301
9,540,848 B1 * 1/2017 Wu E05B 9/084
2002/0059696 A1 * 5/2002 Nakasone E05B 3/003
16/441
2008/0276669 A1 * 11/2008 Shen E05B 9/084
70/224
2009/0090148 A1 * 4/2009 Kollin E05B 45/083
70/263
2014/0047875 A1 * 2/2014 Weathersby E05B 63/16
70/141

* cited by examiner

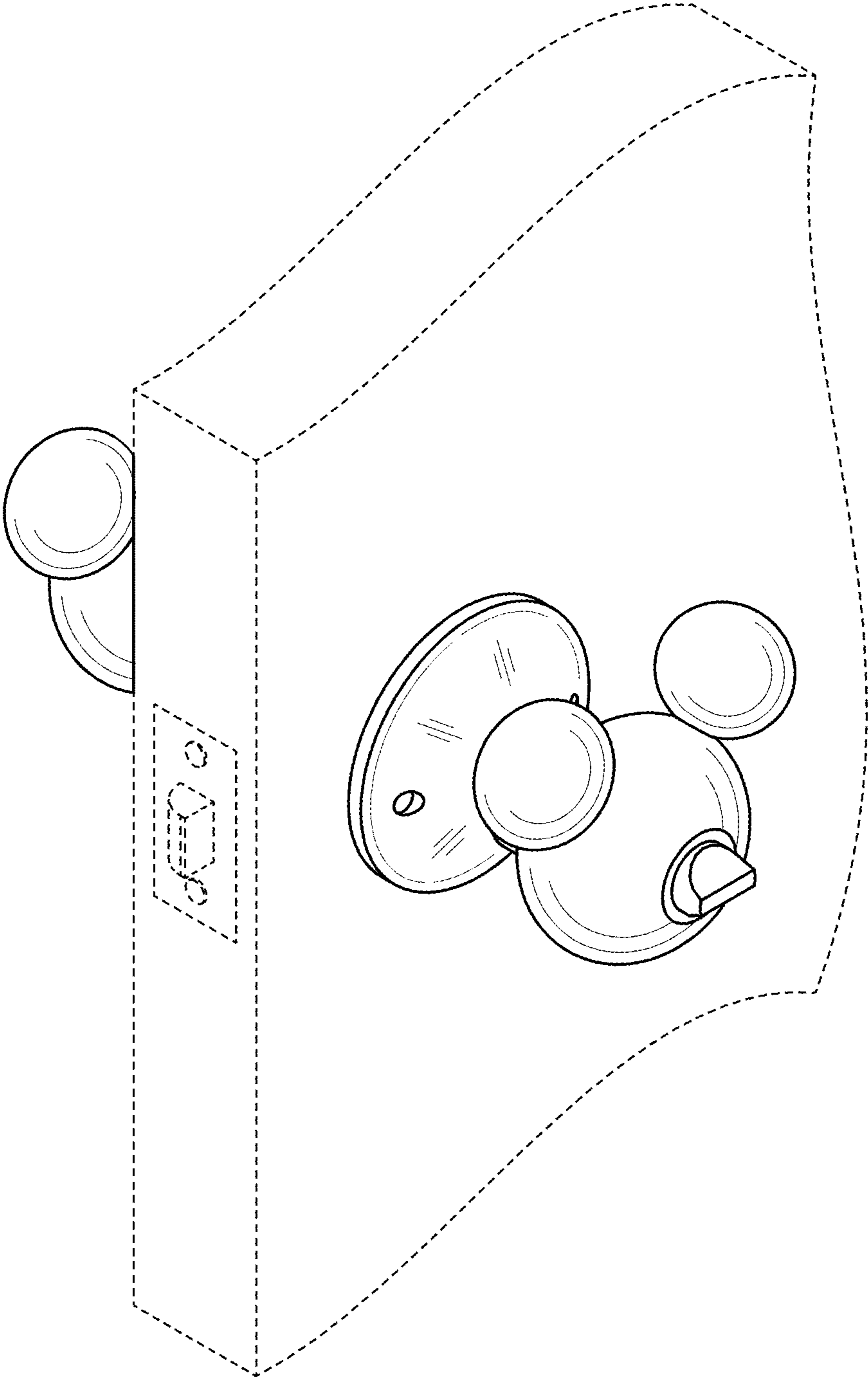


FIG. 1

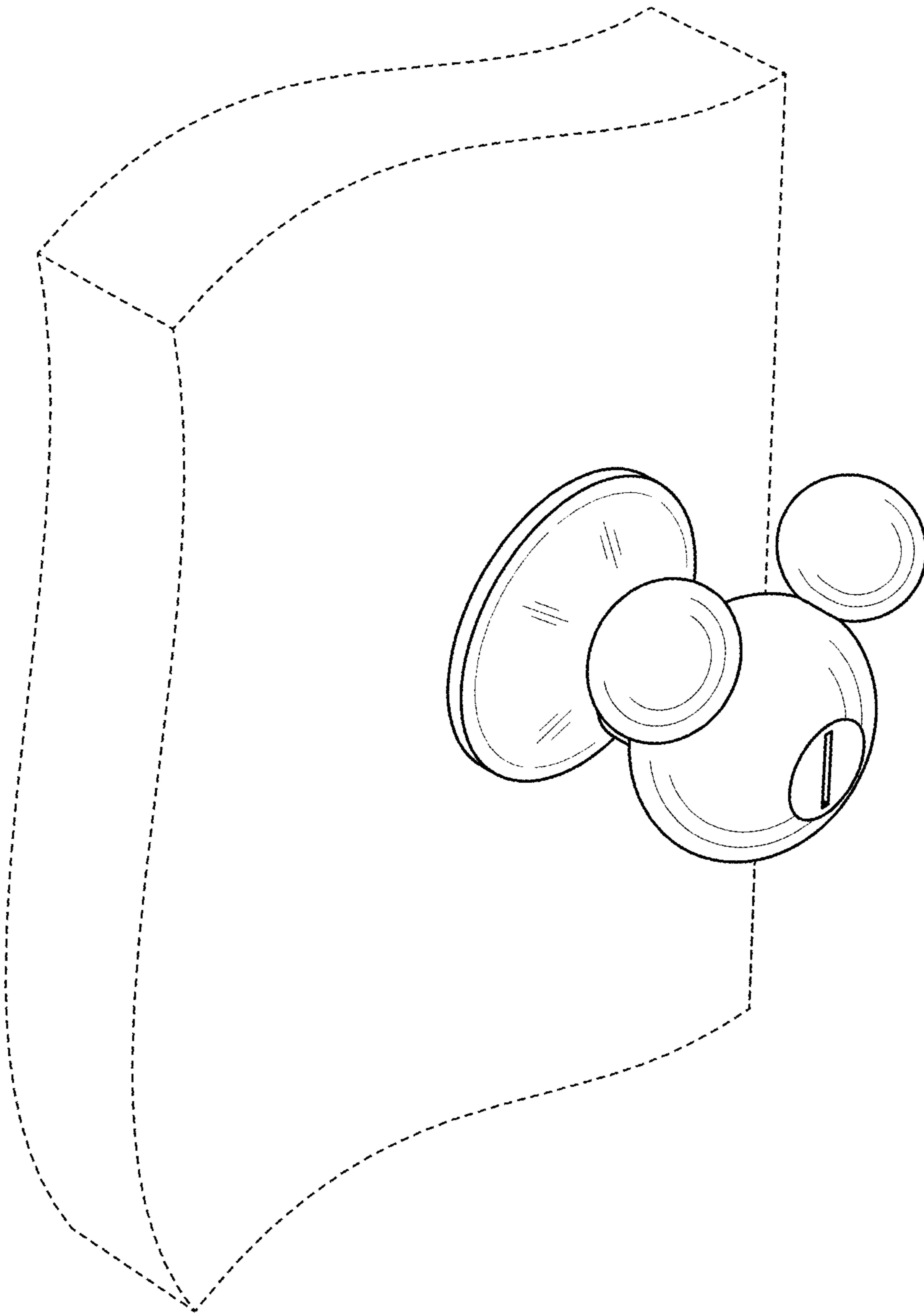


FIG. 2

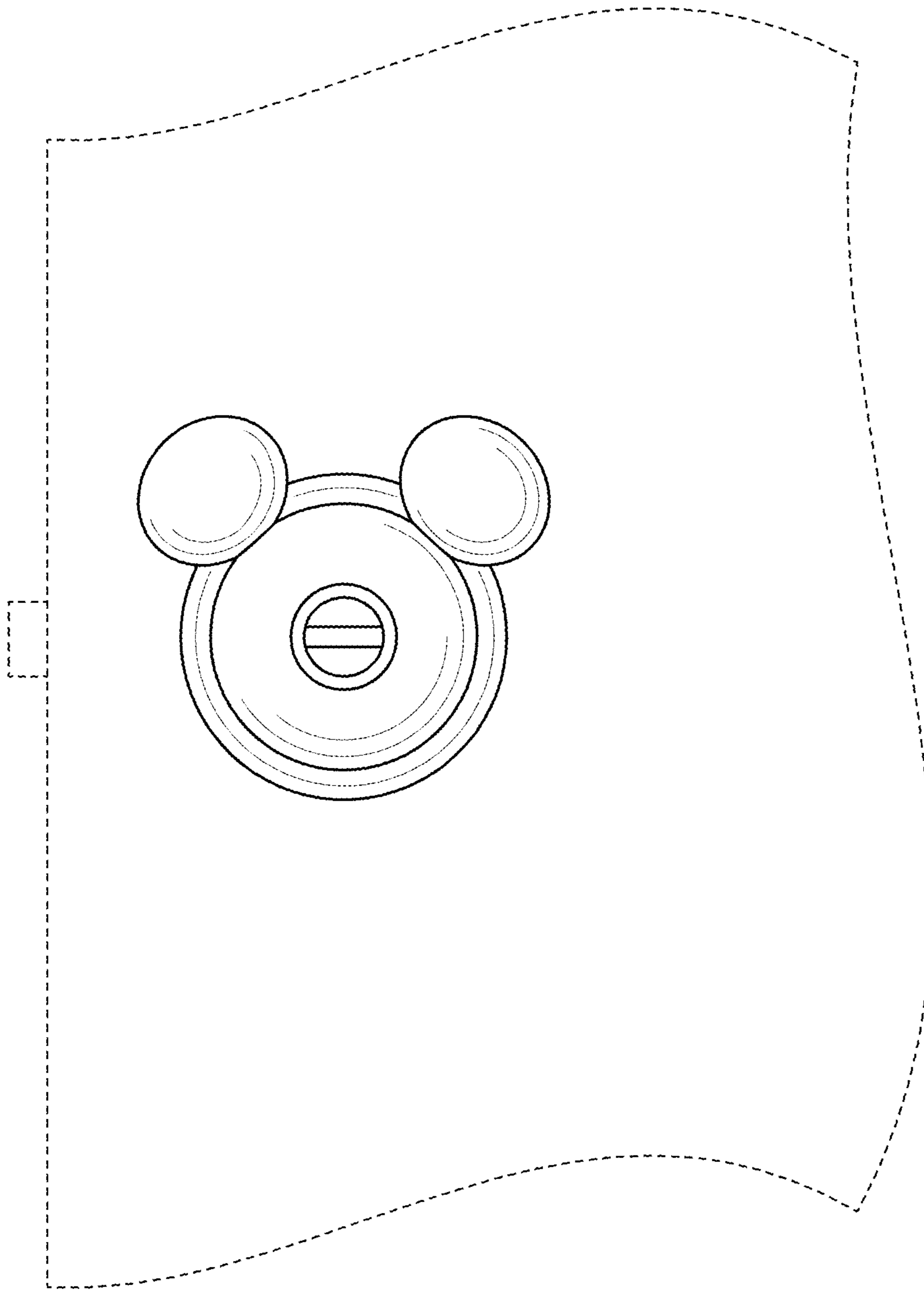


FIG. 3

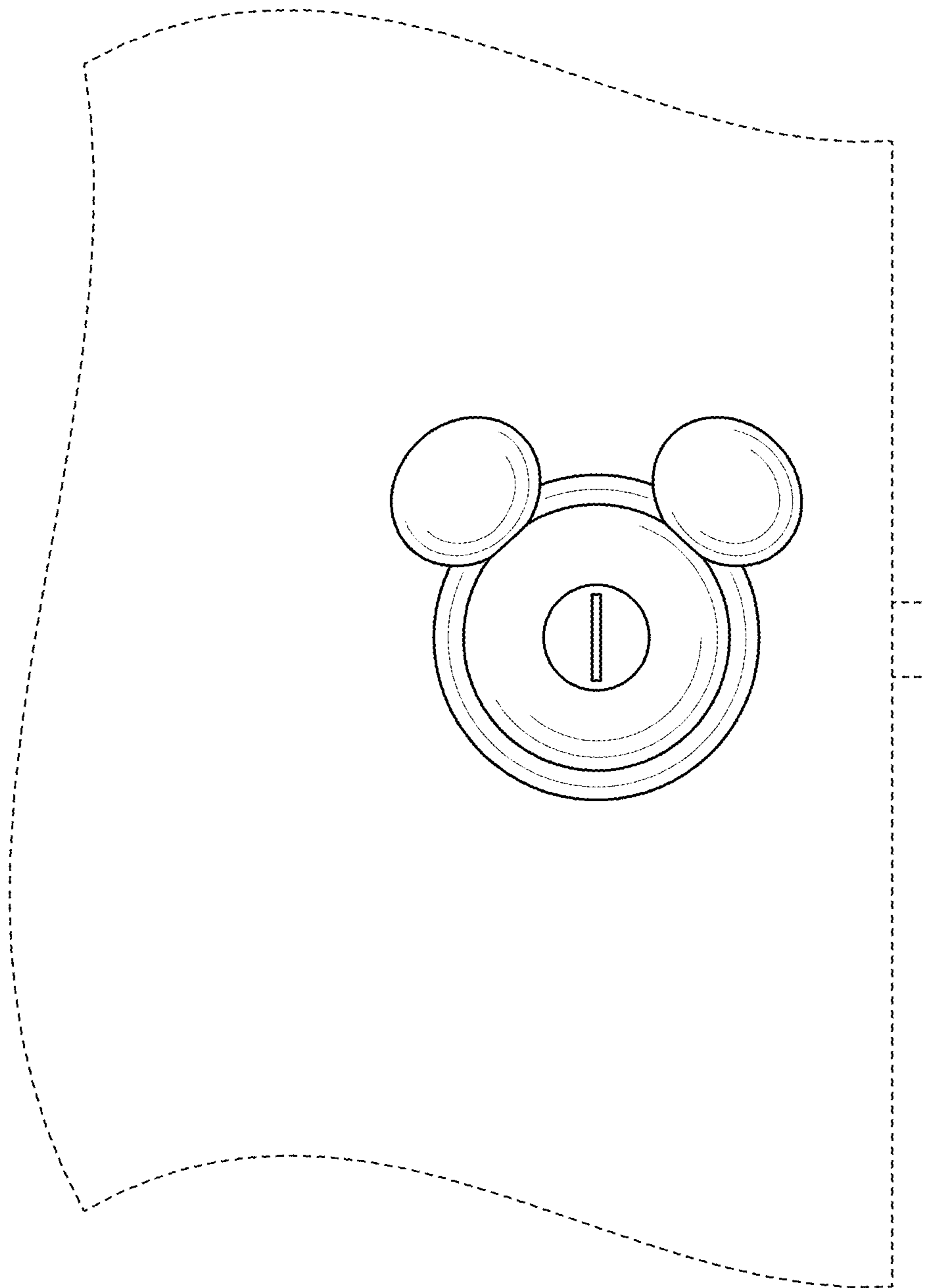


FIG. 4

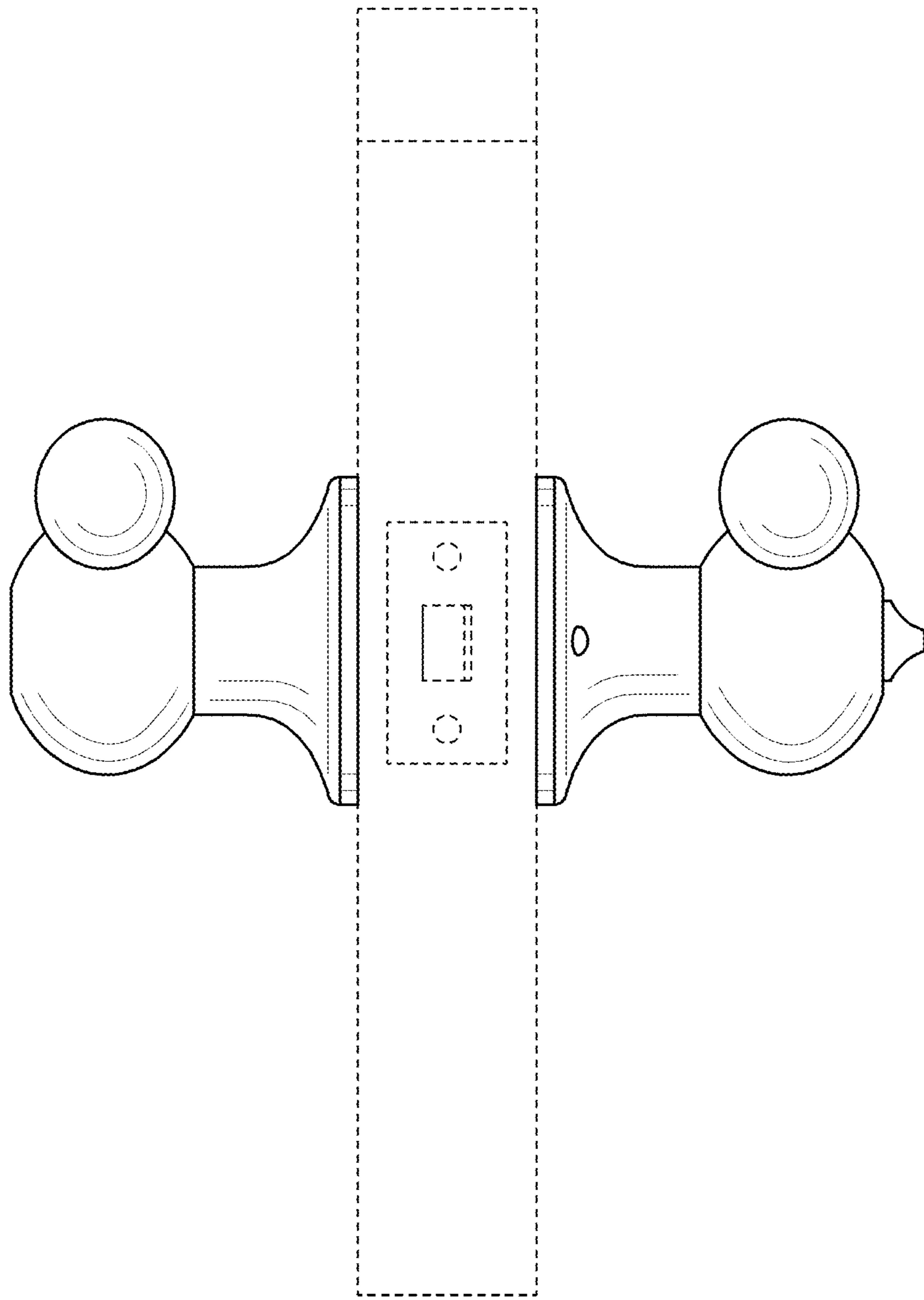


FIG. 5

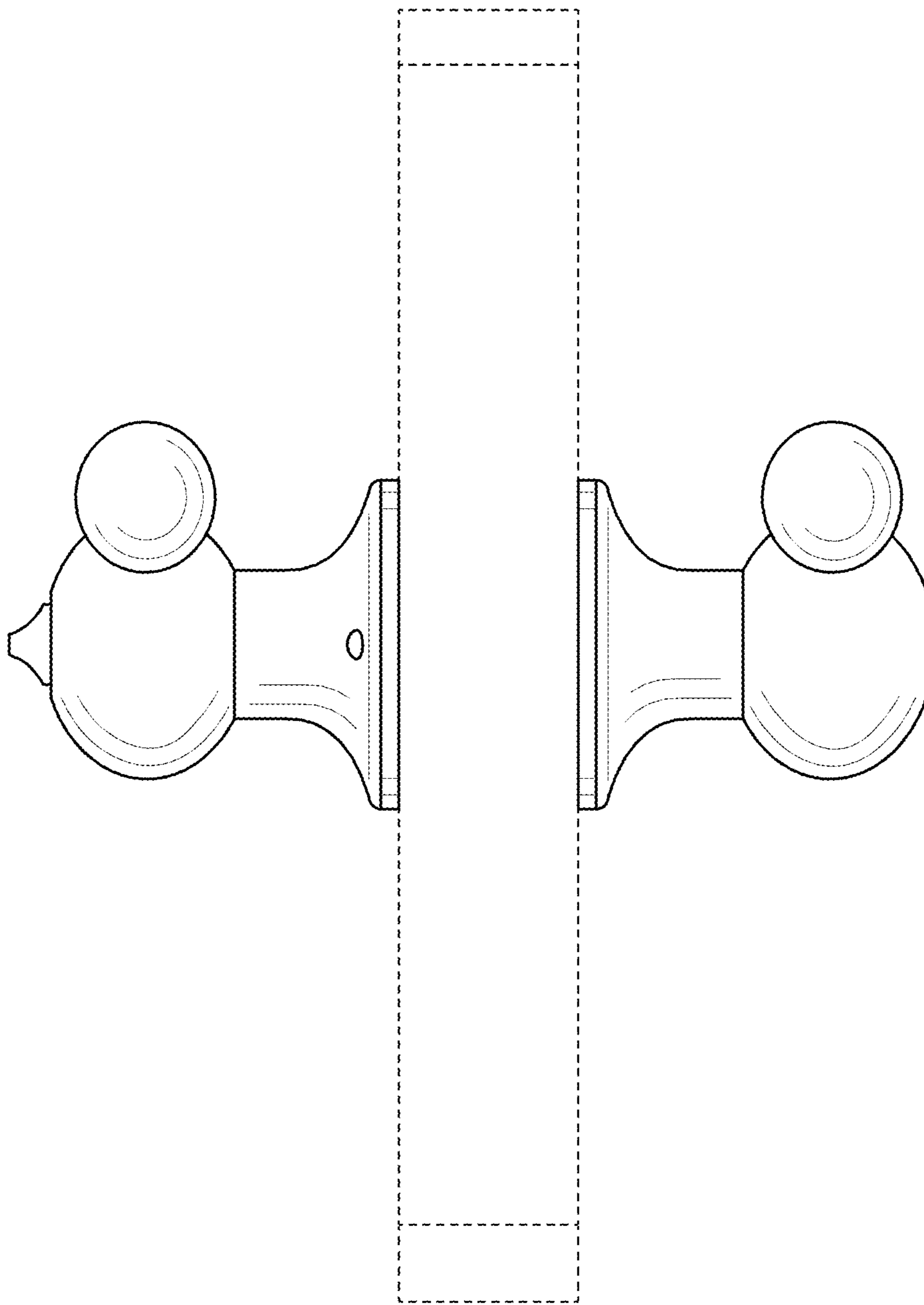


FIG. 6

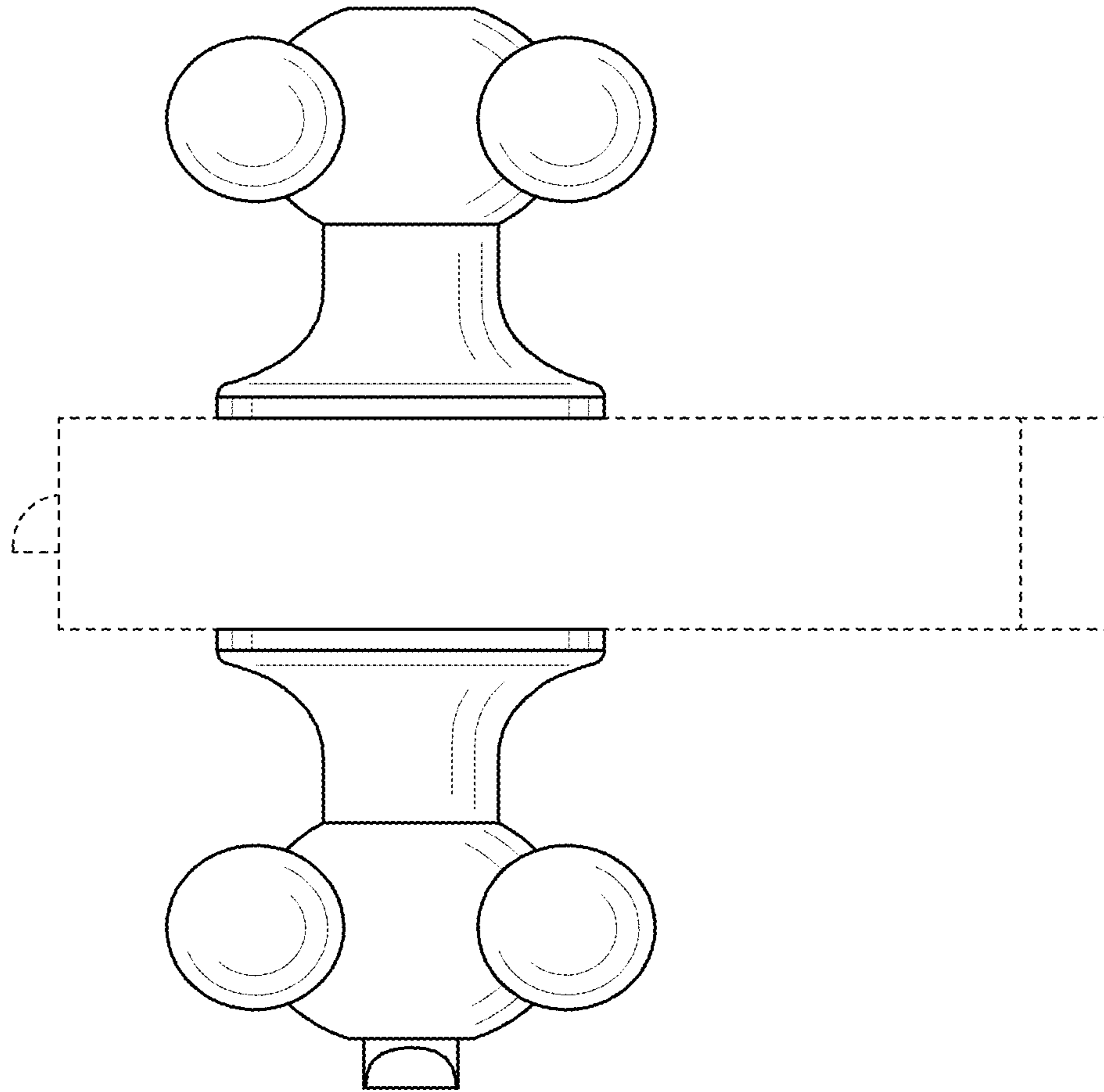


FIG. 7

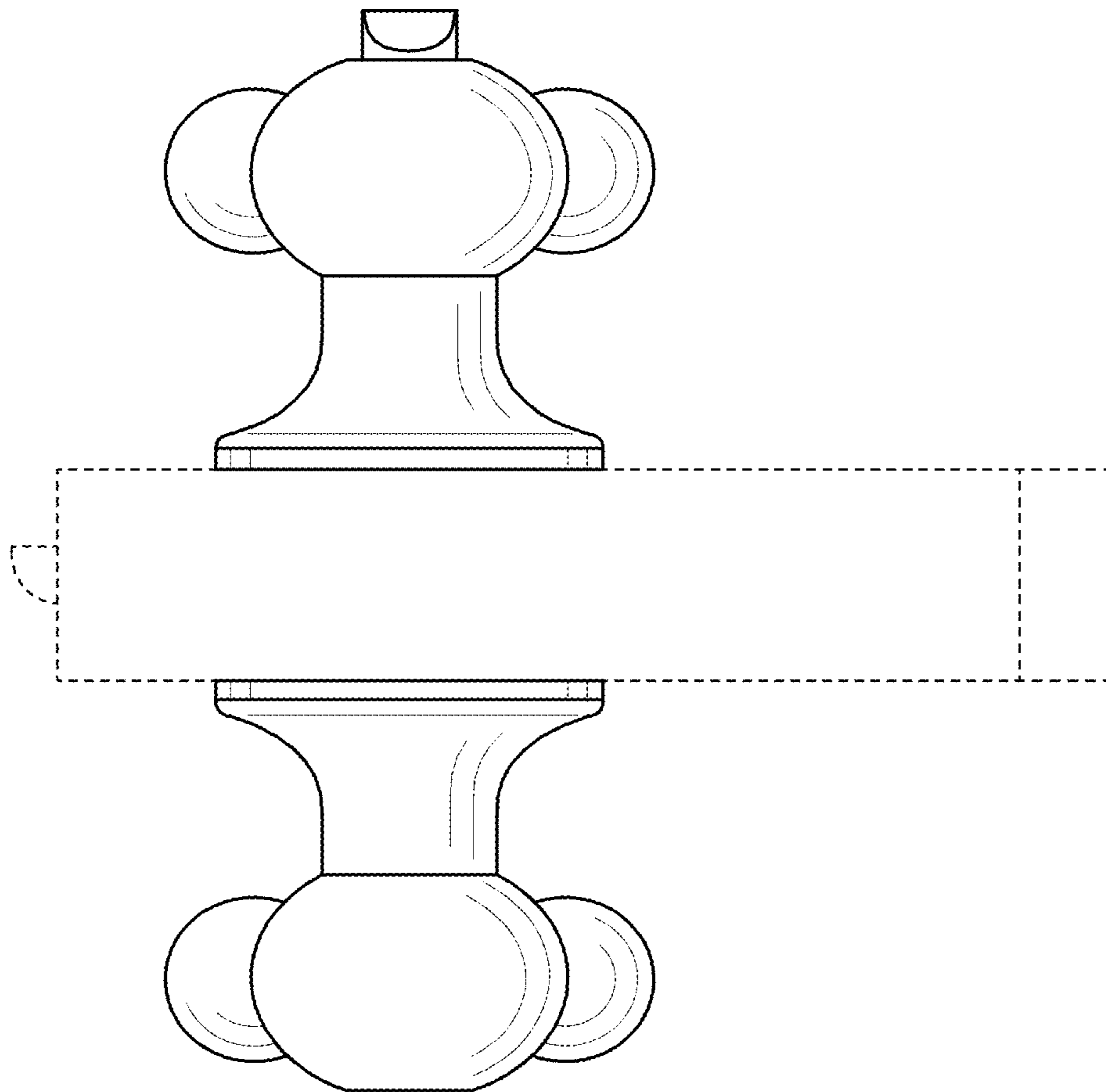


FIG. 8