



US00D820657S

(12) **United States Design Patent**
Williams

(10) **Patent No.:** **US D820,657 S**
(45) **Date of Patent:** **** Jun. 19, 2018**

(54) **EXTENDED HANDLE CIRCULAR SAW**

2003/0121161 A1 7/2003 Swift
2004/0016130 A1 1/2004 Barger
2006/0005673 A1 1/2006 Long et al.

(71) Applicant: **Mark Williams**, Kensington, NH (US)

(72) Inventor: **Mark Williams**, Kensington, NH (US)

(**) Term: **15 Years**

(21) Appl. No.: **29/581,332**

(22) Filed: **Oct. 31, 2016**

(51) **LOC (11) Cl.** **08-05**

(52) **U.S. Cl.**

USPC **D8/70**; D8/66

(58) **Field of Classification Search**

USPC D8/61, 66, 67, 68, 69, 70, 107, 303

CPC B27B 9/00; B27B 9/02; B27B 5/18; B27B

33/08; Y10T 16/461; Y10T 16/4713;

B25G 1/04

See application file for complete search history.

(56) **References Cited**

U.S. PATENT DOCUMENTS

3,688,139	A	8/1972	Yaguchi	
3,731,382	A	5/1973	Wroe	
3,949,817	A	4/1976	Rice	
4,048,722	A	9/1977	Howard	
4,359,822	A	11/1982	Kolodziejczyk	
4,757,613	A	7/1988	Baudreau et al.	
5,013,282	A	5/1991	Keller	
5,598,892	A	2/1997	Fox	
5,850,698	A *	12/1998	Hurn	B23D 47/126 30/275.4
D475,265	S *	6/2003	Hatch	D8/66
D489,591	S *	5/2004	Willer	D8/66
D528,390	S *	9/2006	Waldron	D8/66
8,060,986	B1	11/2011	Green	

FOREIGN PATENT DOCUMENTS

EP 0 945 053 9/1999
EP 2 570 215 3/2013
WO 2007121534 11/2007

* cited by examiner

Primary Examiner — Phillip S Hyder

(74) *Attorney, Agent, or Firm* — Gary E. Lambert; David J. Connaughton, Jr.; Lambert & Associates

(57) **CLAIM**

The ornamental design for an extended handle circular saw, as shown and described.

DESCRIPTION

FIG. 1 is an isometric view of an extended handle circular saw embodying my design;

FIG. 2 is a side view of the extended handle circular saw;

FIG. 3 is a side view of the extended handle circular saw;

FIG. 4 is a top plan view of the extended handle circular saw;

FIG. 5 is a bottom plan view of the extended handle circular saw;

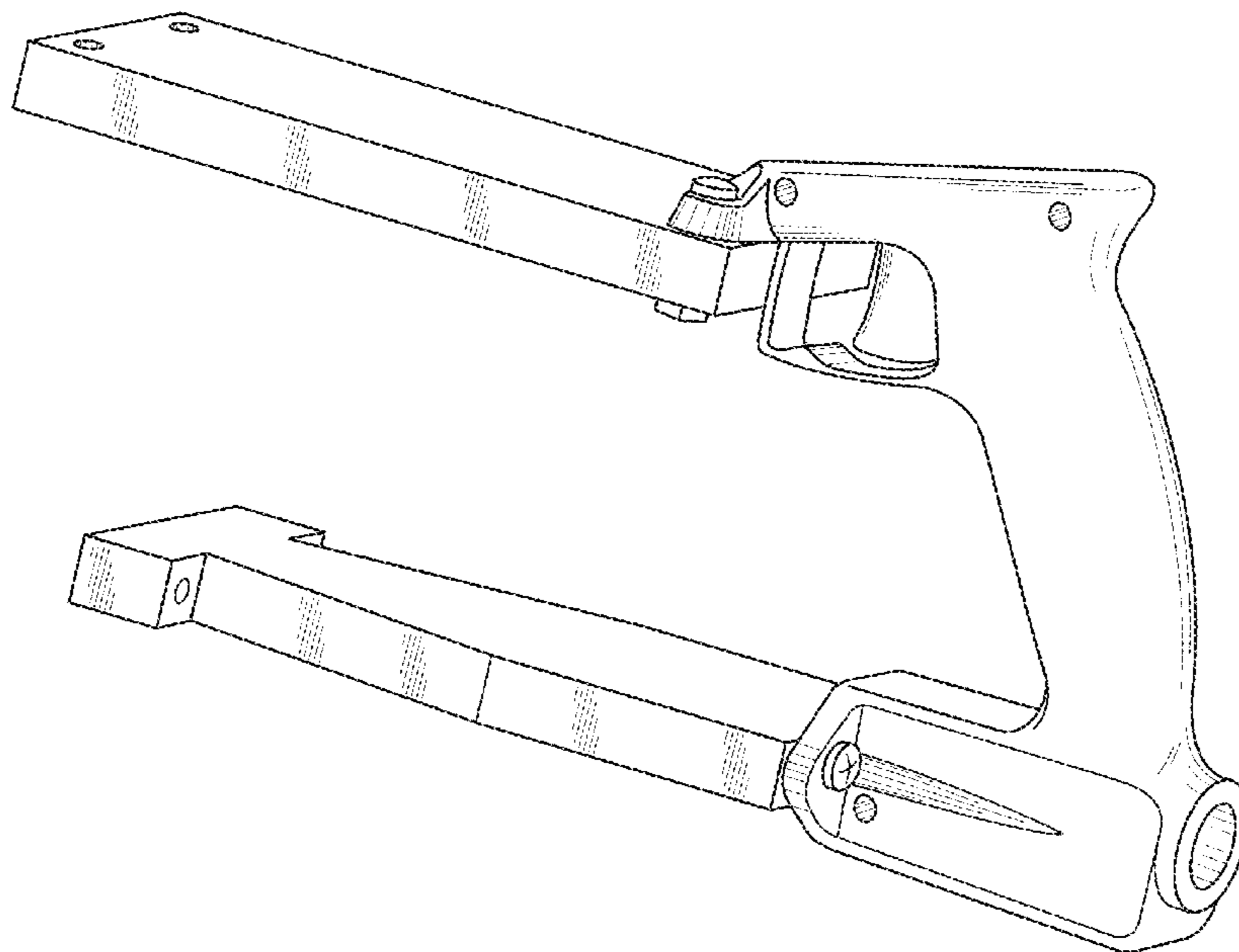
FIG. 6 is a front view of the extended handle circular saw;

FIG. 7 is a back view of the extended handle circular saw; and,

FIG. 8 is an isometric view of an extended handle circular saw in a position of use.

The saw depicted by broken lines in FIG. 8 have been shown for the purpose of illustrating environmental features that form no part of the claimed design.

1 Claim, 5 Drawing Sheets



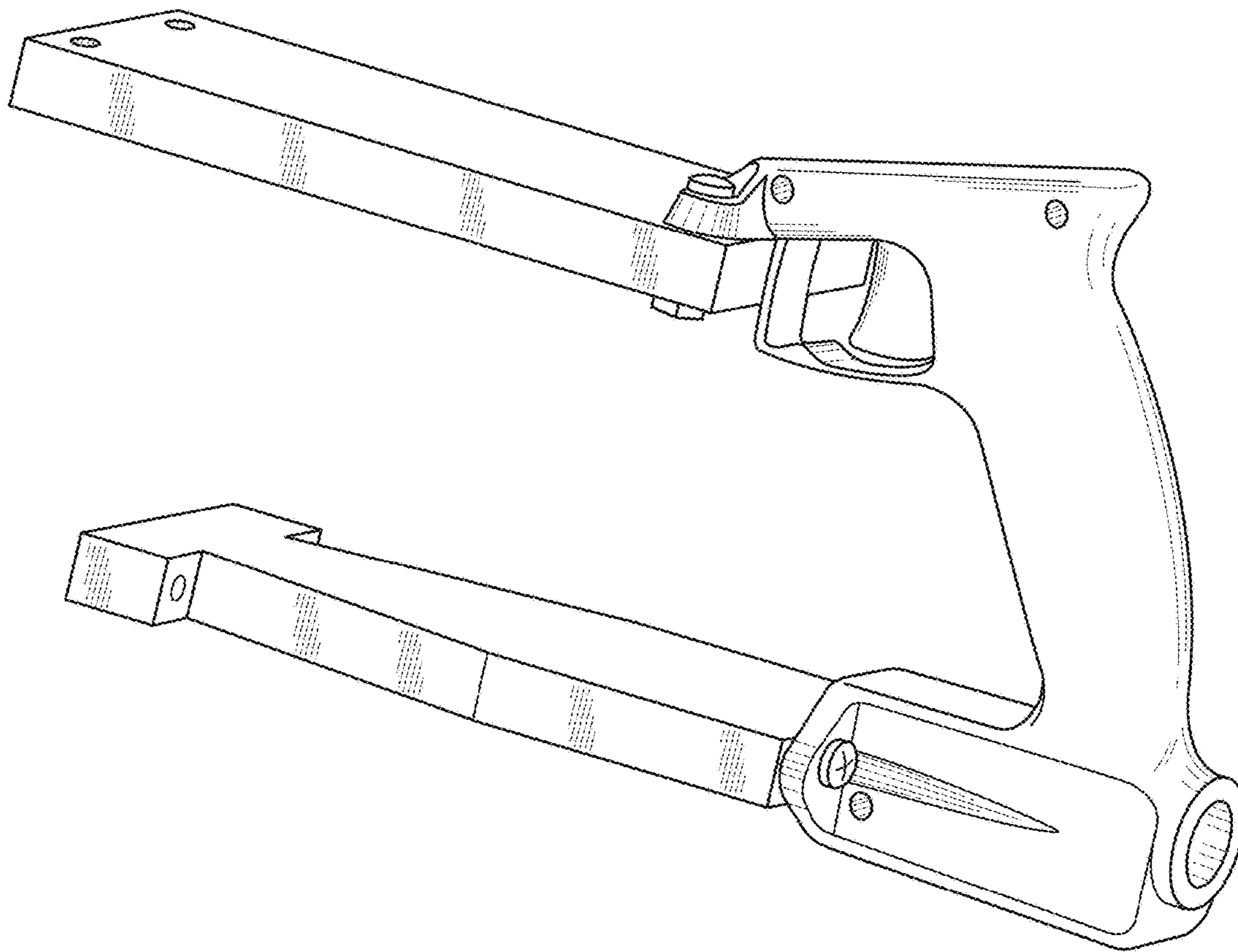


Fig. 1

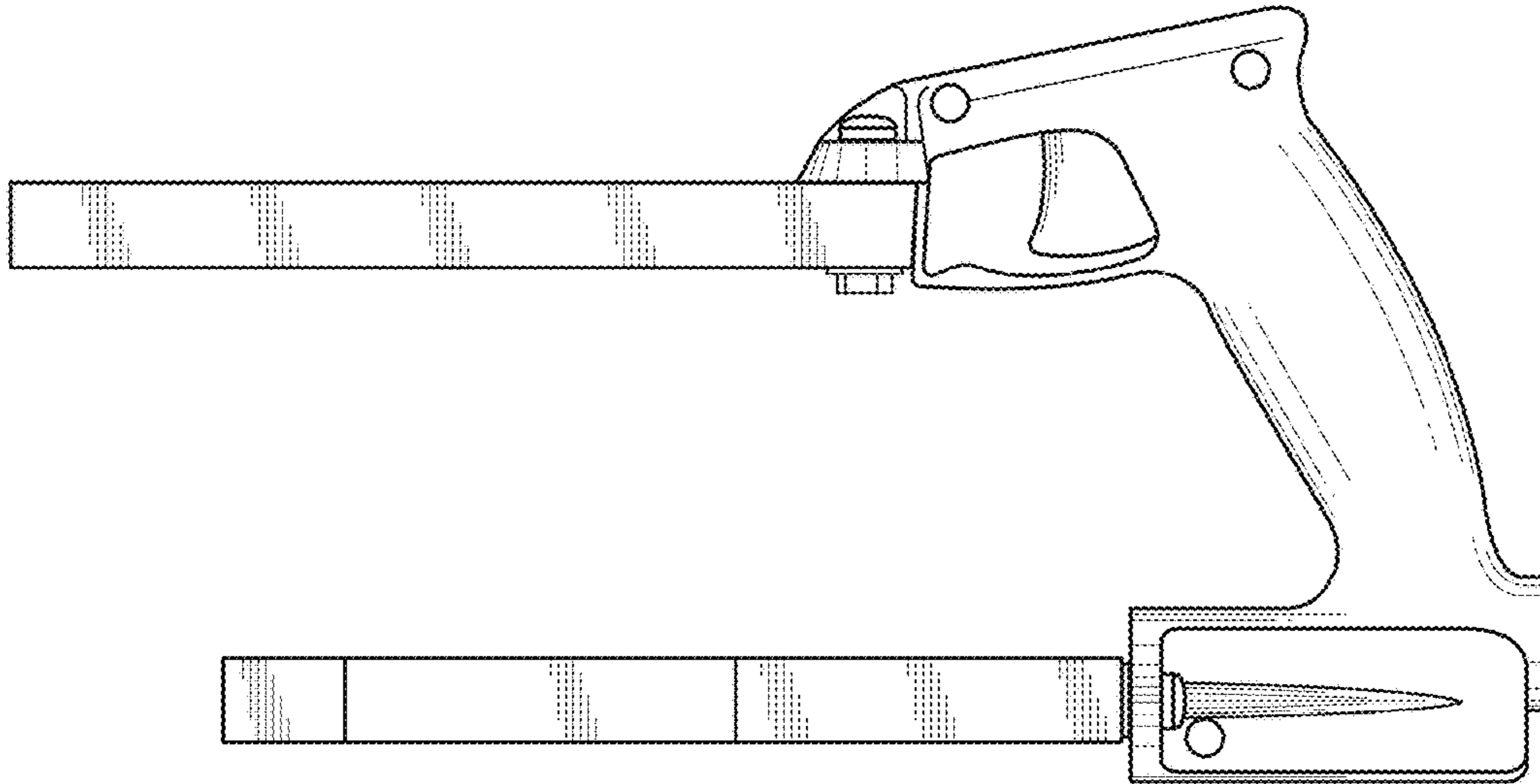


Fig. 2

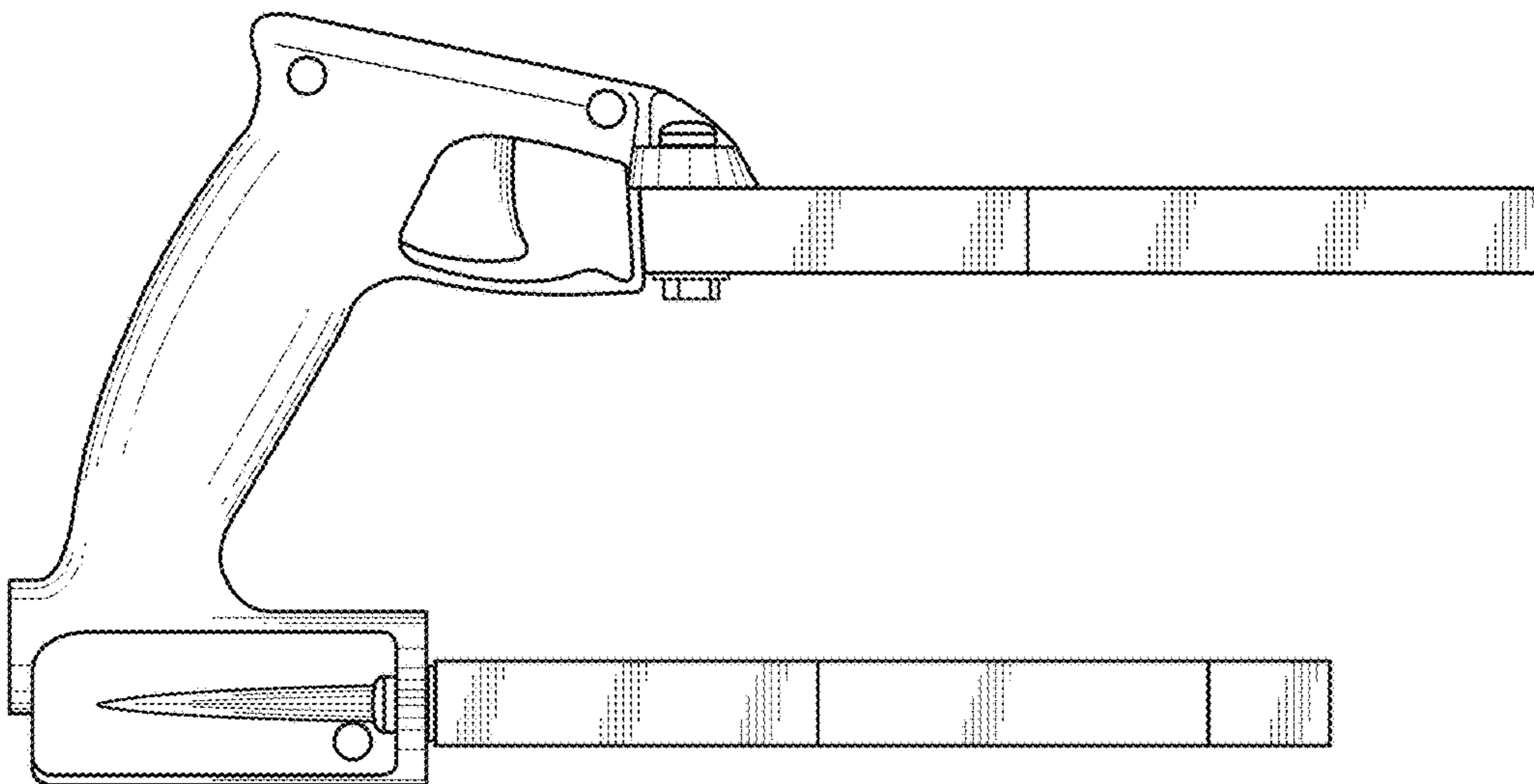


Fig. 3

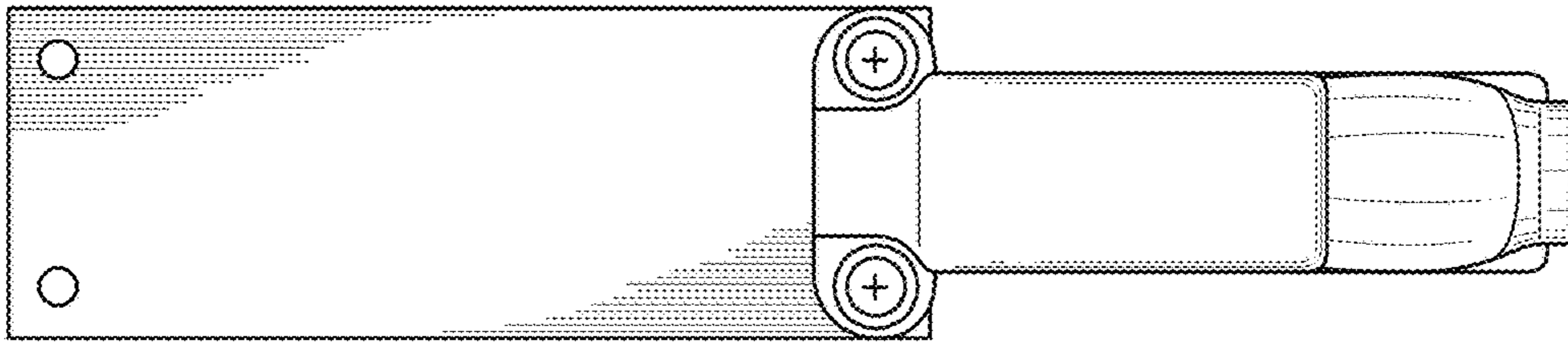


Fig. 4

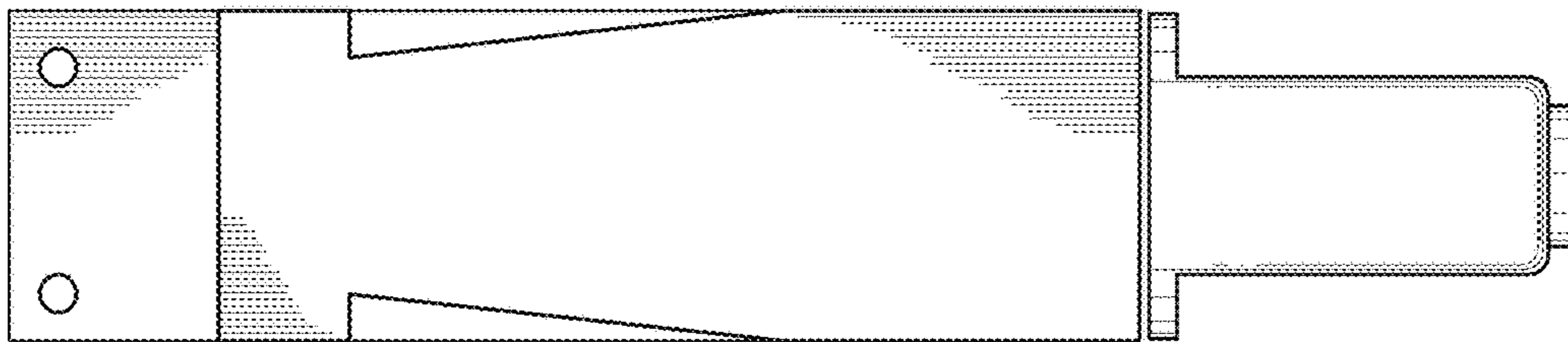


Fig. 5

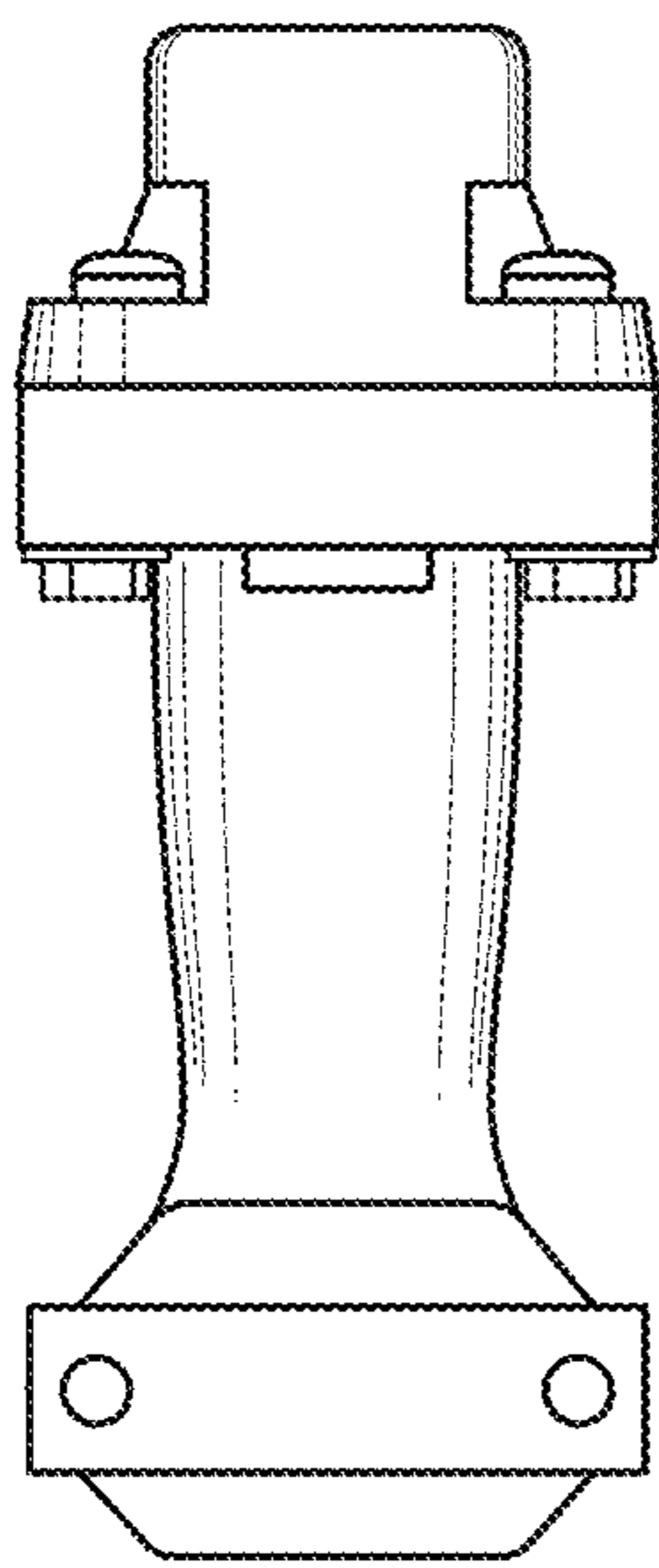


Fig. 6

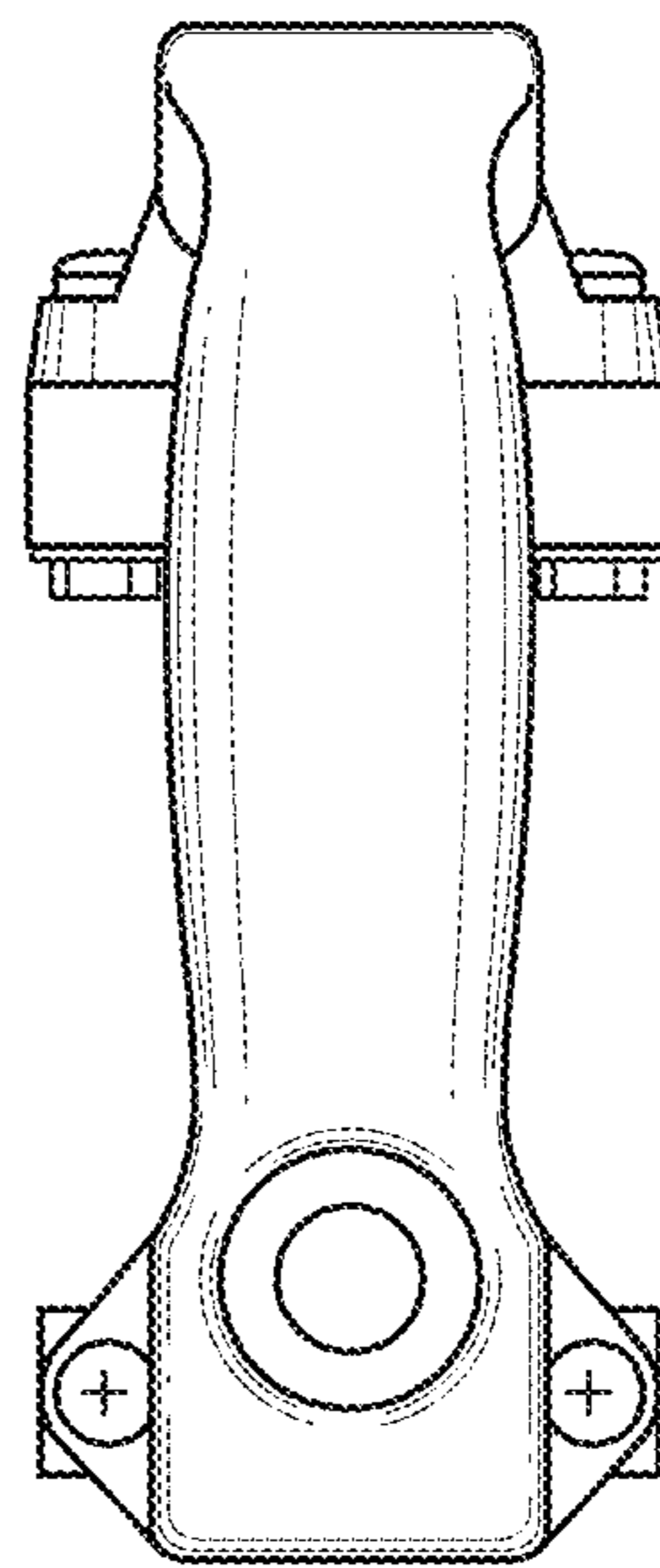


Fig. 7

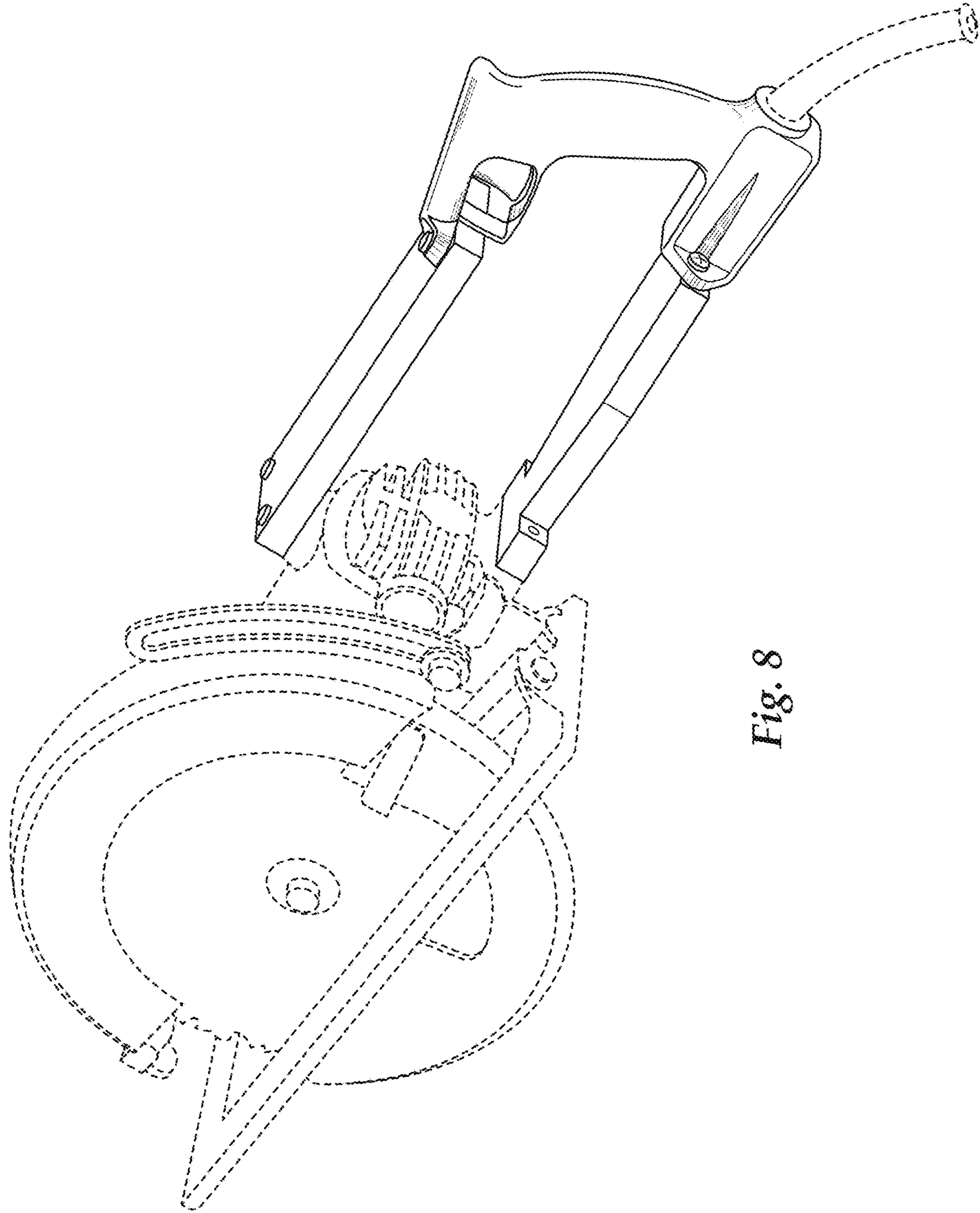


Fig. 8