



US00D820656S

(12) **United States Design Patent** (10) **Patent No.:** **US D820,656 S**
Waldron (45) **Date of Patent:** **** Jun. 19, 2018**

(54) **POWERED IMPACT DRIVER TOOL**

(71) Applicants: **7RDD Limited**, York (GB); **Ningbo Gemay Industry Company Limited**, Ningbo (CN)

(72) Inventor: **Michael Waldron**, York (GB)

(73) Assignees: **7RDD Limited**, York (GB); **Ningbo Gemay Industry Company Limited**, Ningbo (CN)

(**) Term: **15 Years**

(21) Appl. No.: **29/559,315**

(22) Filed: **Mar. 26, 2016**

(51) **LOC (11) Cl.** **08-05**

(52) **U.S. Cl.**
USPC **D8/68**

(58) **Field of Classification Search**
USPC D8/61, 67, 68
CPC B62D 23/005; B62D 29/00; B62D 29/043;
B62D 31/00; B62D 33/046; B62D 35/00;
B62D 35/001; B60Q 1/0005
See application file for complete search history.

(56) **References Cited**

U.S. PATENT DOCUMENTS

D466,777 S	*	12/2002	Watson	D8/68
D466,779 S	*	12/2002	Shibata	D8/68
D466,781 S	*	12/2002	Matsuoka	D8/68
D508,643 S	*	8/2005	Concari	D8/68
D515,377 S	*	2/2006	Chung	D8/68
D525,848 S	*	8/2006	Kokawa	D8/68
D527,971 S	*	9/2006	Kokawa	D8/68
D536,944 S	*	2/2007	Tsai	D8/68

D556,002 S	*	11/2007	Ino	D8/68
D574,688 S	*	8/2008	Yamamoto	D8/68
D628,454 S	*	12/2010	Misaki	D8/68
D642,037 S	*	7/2011	Miller	D8/68
D646,947 S	*	10/2011	Lopano	D8/68
D670,989 S	*	11/2012	Kawase	D8/61
D675,500 S	*	2/2013	Taniguchi	D8/68
D678,025 S	*	3/2013	Naksen	D8/68
D678,744 S	*	3/2013	Aoki	D8/68
D679,161 S	*	4/2013	Kawase	D8/61
D684,028 S	*	6/2013	Costoli	173/90
D685,245 S	*	7/2013	Tirone	D8/68
D700,821 S	*	3/2014	Tschopp	D8/68
D708,496 S	*	7/2014	Zhou	D8/68
2015/0041164 A1	*	2/2015	Sergyeyenko	B25B 21/008 173/1

* cited by examiner

Primary Examiner — Darlington Ly

(74) *Attorney, Agent, or Firm* — McKee, Voorhees & Sease, PLC

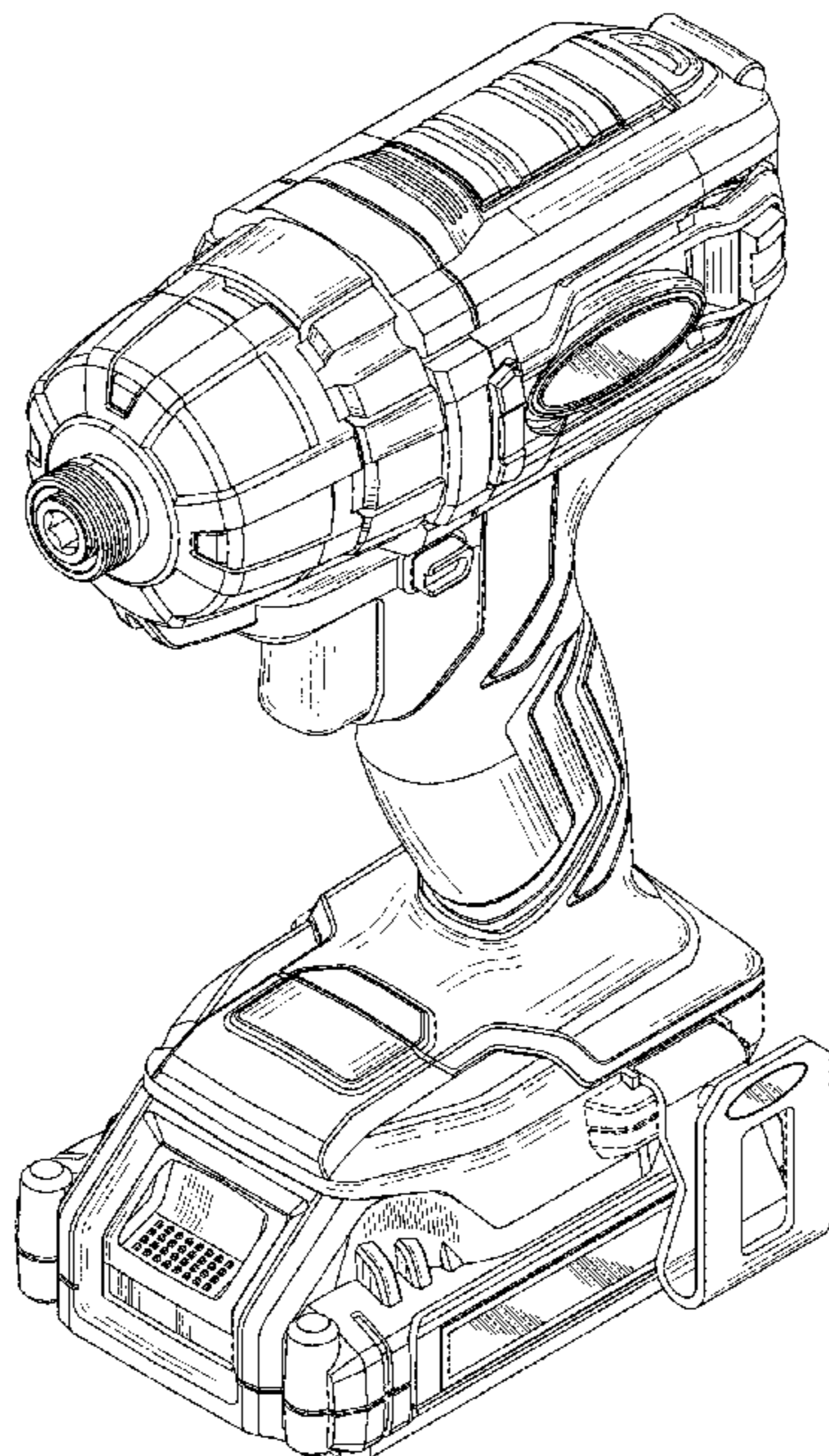
(57) **CLAIM**

The ornamental design for a powered impact driver tool, as shown and described.

DESCRIPTION

FIG. 1 is a top, front, and left side perspective view of a powered impact driver tool showing my new design; FIG. 2 is a front elevation view thereof; FIG. 3 is a left side elevation view thereof; FIG. 4 is a rear elevation view thereof; FIG. 5 is a right side elevation view thereof; FIG. 6 is a top plan view thereof; and, FIG. 7 is a bottom plan view thereof. Structure shown in broken lines in FIGS. 1-7 form no part of the claimed design.

1 Claim, 7 Drawing Sheets



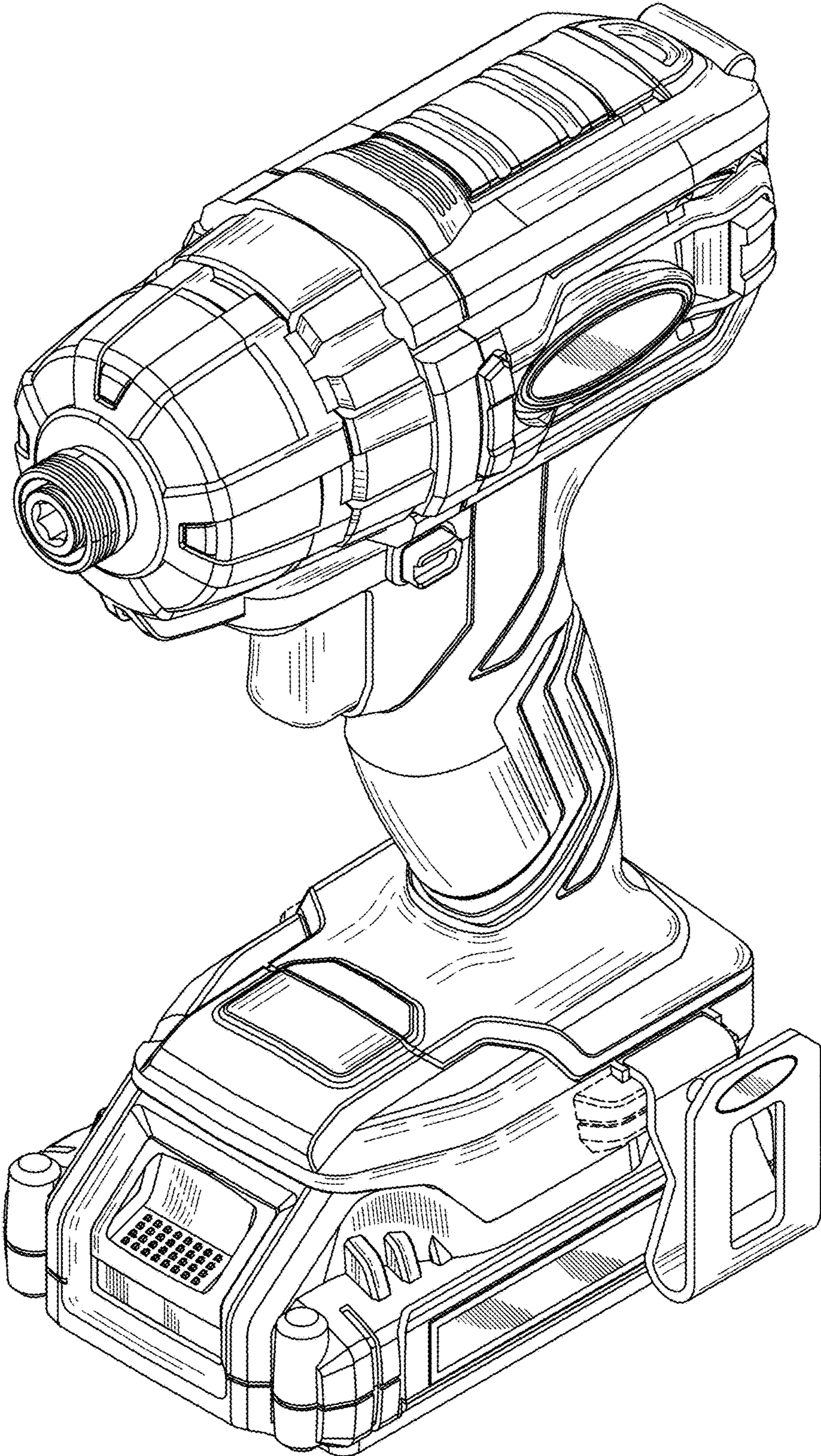


FIG. 1

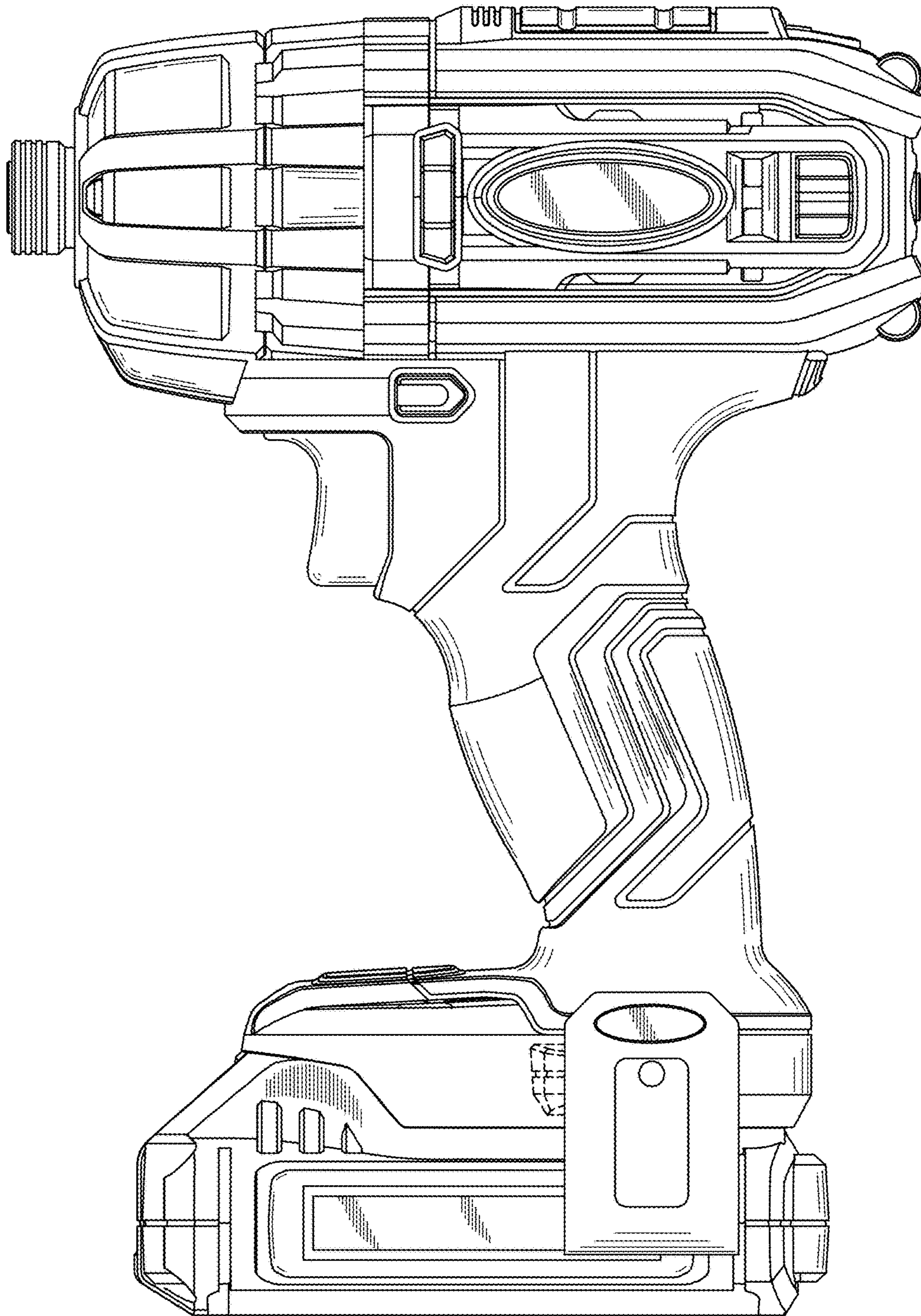


FIG. 2

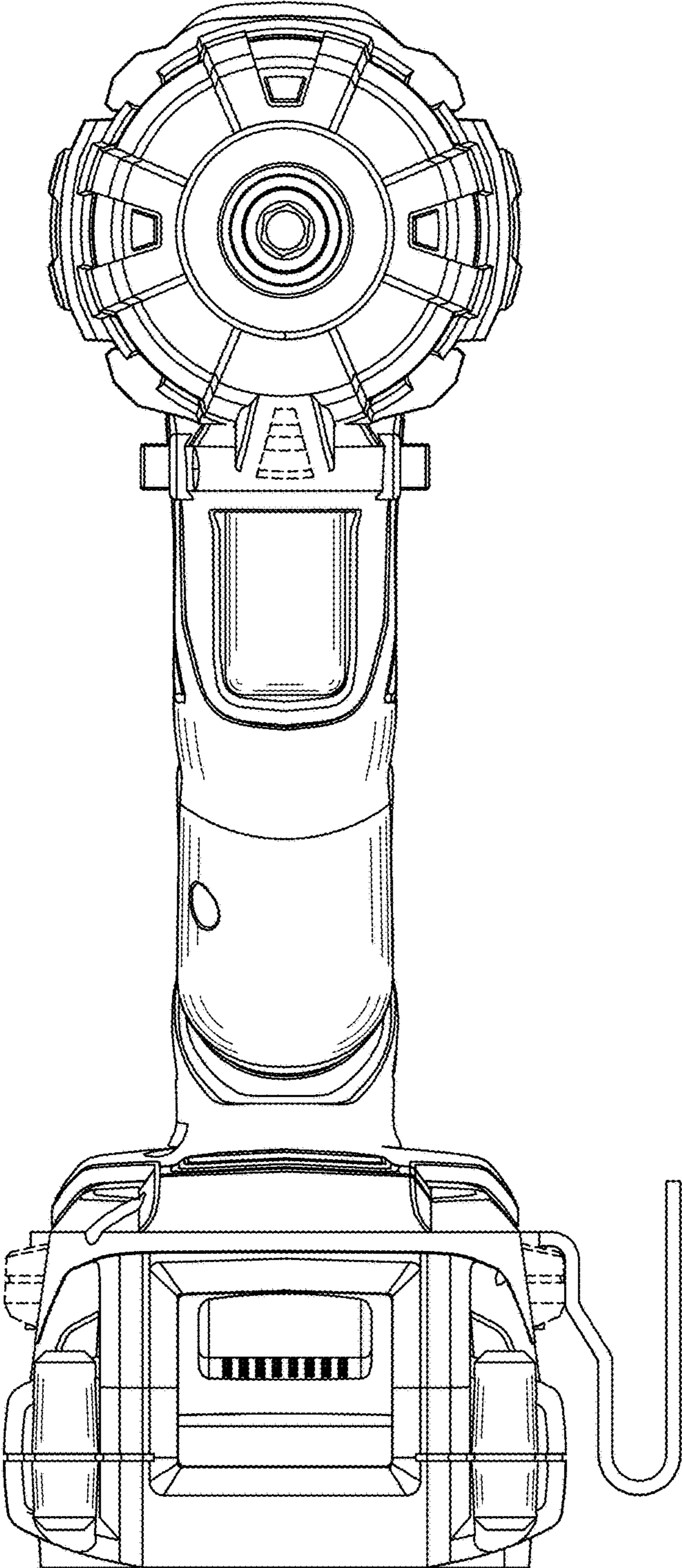


FIG. 3

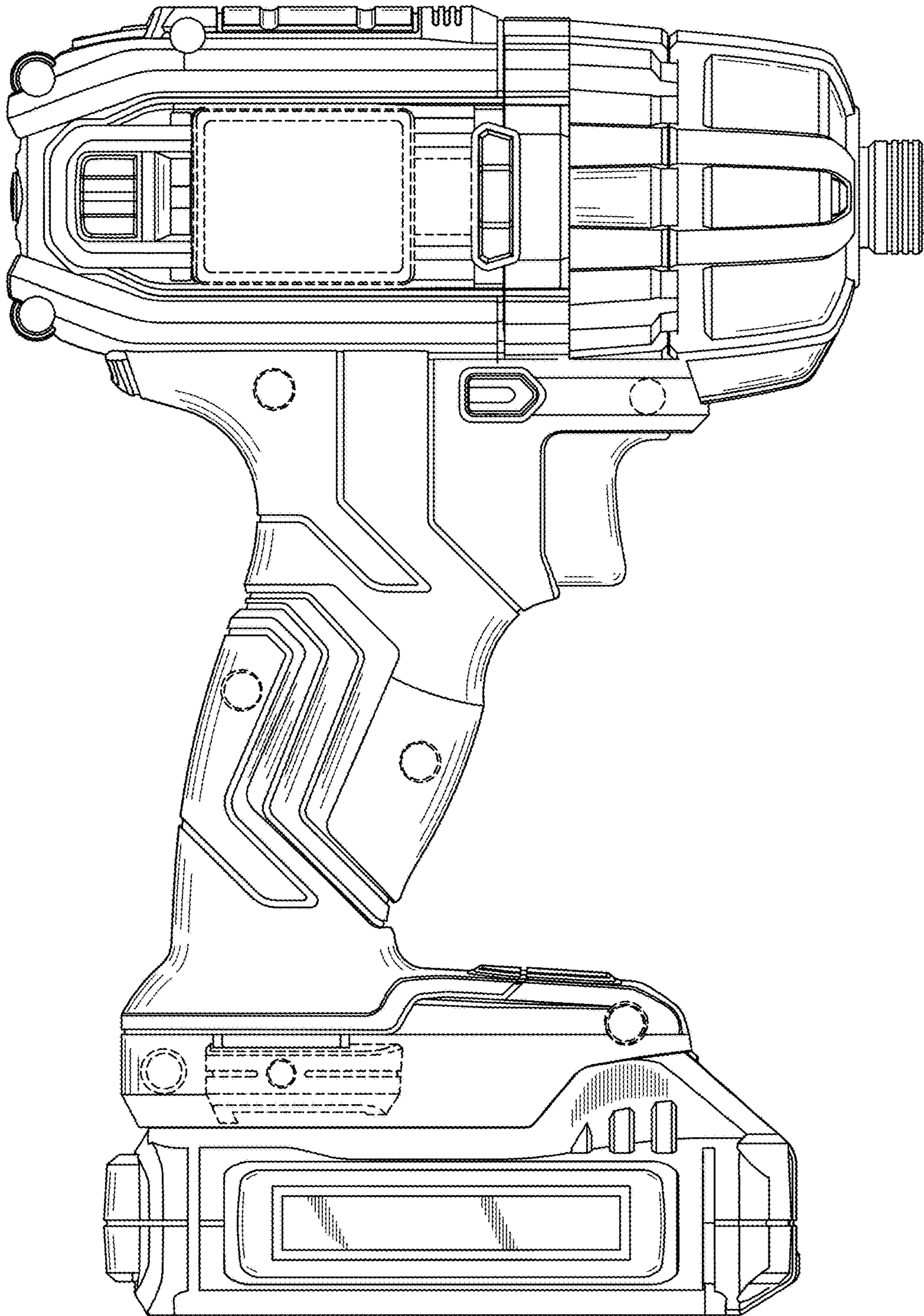


FIG. 4

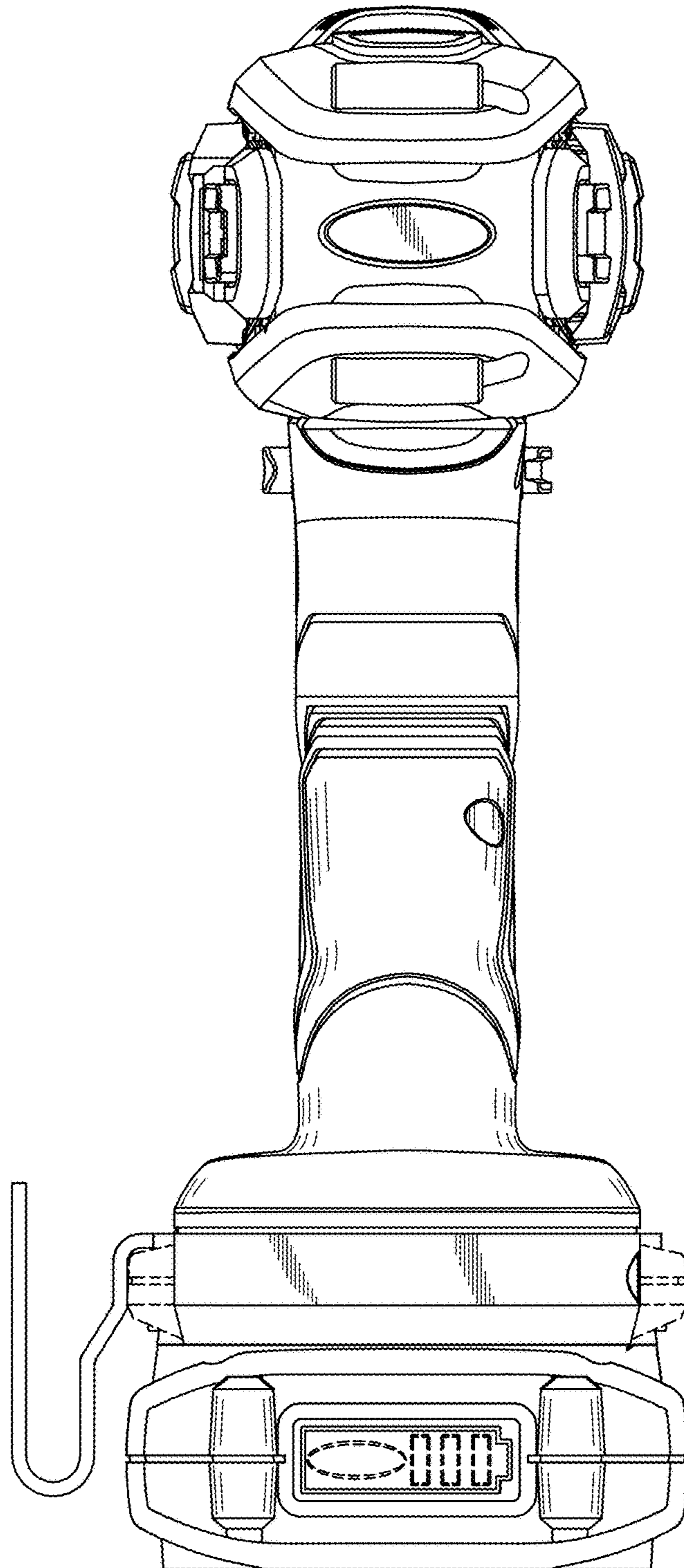


FIG. 5

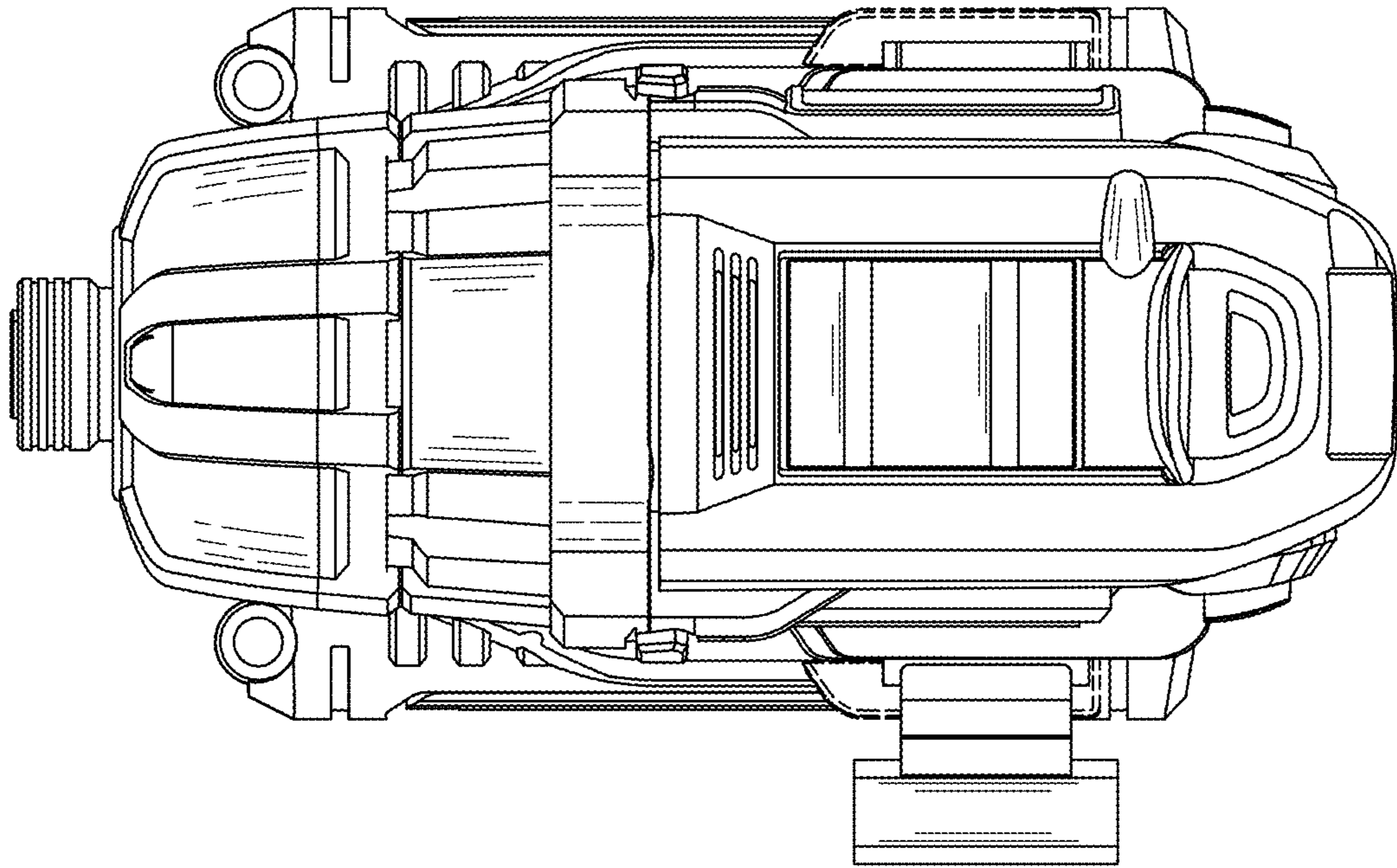


FIG. 6

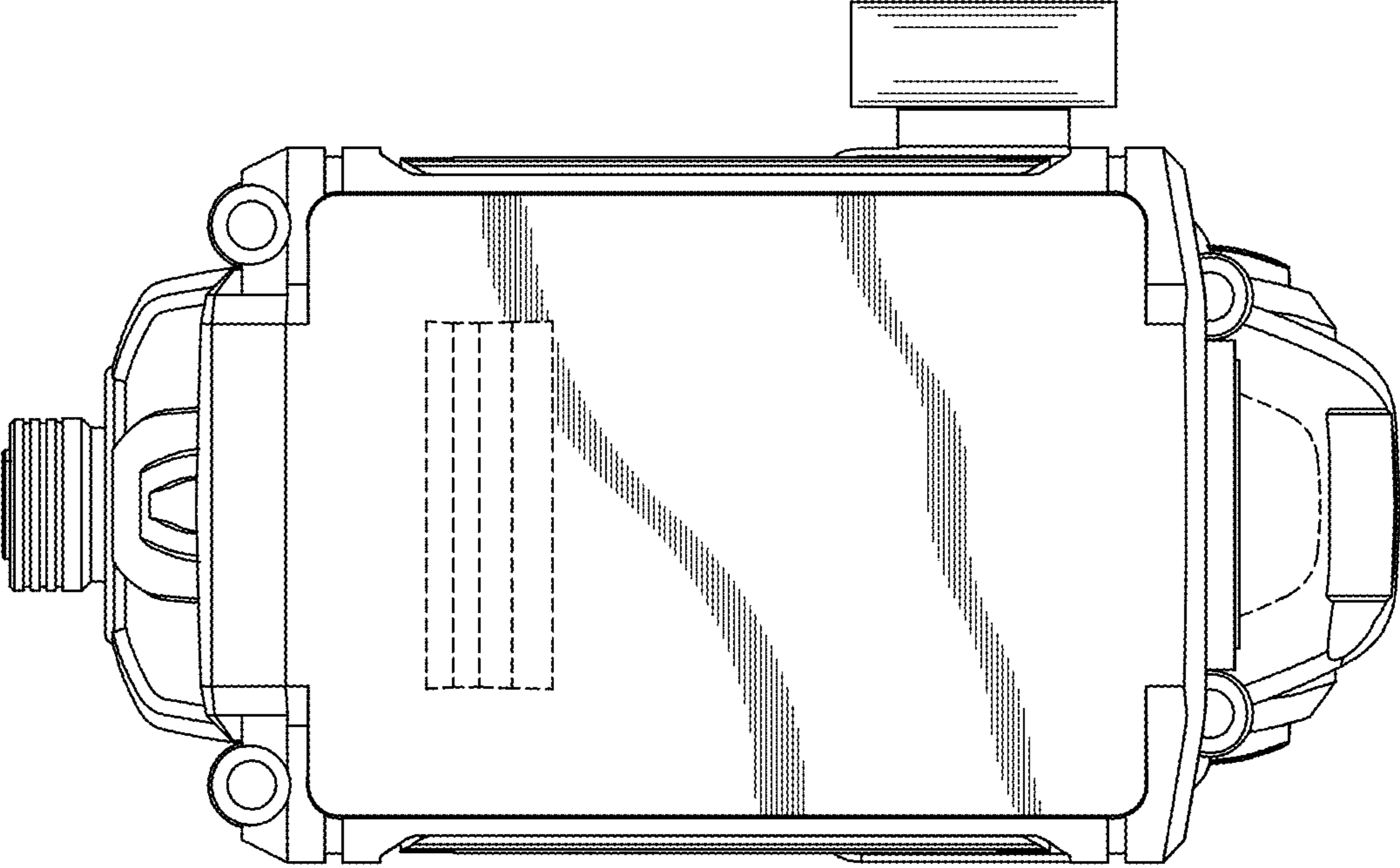


FIG. 7