



US00D820654S

(12) **United States Design Patent**  
**Pagliariere**

(10) **Patent No.:** **US D820,654 S**  
(45) **Date of Patent:** **\*\* Jun. 19, 2018**

- (54) **KEY CHAIN BOTTLE OPENER**
- (71) Applicant: **Alexander Pagliere**, Seattle, WA (US)
- (72) Inventor: **Alexander Pagliere**, Seattle, WA (US)
- (\*\*) Term: **15 Years**
- (21) Appl. No.: **29/606,489**
- (22) Filed: **Jun. 5, 2017**
- (51) **LOC (11) Cl.** ..... **07-99**
- (52) **U.S. Cl.**  
USPC ..... **D8/18; D3/211**
- (58) **Field of Classification Search**  
USPC ..... D8/18, 33-43; D3/207-211  
CPC .... B67B 7/00; B67B 7/04; B67B 7/06; B67B 7/30; B67B 7/34; B67B 7/14; B67B 7/16; B67B 7/18; B67B 7/20; B67B 7/44  
See application file for complete search history.

- D472,435 S \* 4/2003 Kelleghan ..... D8/38
- D496,240 S \* 9/2004 Sandelius ..... D8/18
- D497,087 S \* 10/2004 Gallo ..... D3/211
- D500,648 S \* 1/2005 Kelleghan ..... D8/38
- D600,084 S \* 9/2009 Hbaidu ..... D27/195
- D601,872 S \* 10/2009 Welch ..... D8/38
- D682,731 S \* 5/2013 Anonychuk ..... D11/82
- D688,925 S \* 9/2013 Seidel ..... D8/14
- D732,913 S \* 6/2015 Lozano ..... D8/18
- 9,260,282 B2 \* 2/2016 Lavery ..... B67B 7/24
- D782,359 S \* 3/2017 Dick ..... D11/101
- 9,718,318 B2 \* 8/2017 Davidson ..... B60C 27/003

(56) **References Cited**

**U.S. PATENT DOCUMENTS**

- 941,865 A \* 11/1909 Forsyth ..... B67B 7/16  
29/245
- D42,445 S \* 4/1912 Vaughan ..... 81/3.55
- D47,144 S \* 3/1915 Pfister ..... D27/196
- 1,703,759 A \* 2/1929 Ament ..... B65D 51/243  
215/228
- D143,233 S \* 12/1945 Moore ..... D8/43
- D144,839 S \* 5/1946 Coles ..... D11/78.1
- 3,142,903 A \* 8/1964 Stiller ..... B67B 7/44  
30/450
- D222,659 S \* 11/1971 Hillis ..... D8/40
- D271,659 S \* 12/1983 Fayle ..... D8/18
- D356,237 S \* 3/1995 White ..... D8/34
- D371,998 S \* 7/1996 Denny ..... D11/172
- D438,768 S \* 3/2001 Chiu ..... D8/40
- D448,552 S \* 10/2001 Richards ..... D3/210
- D467,480 S \* 12/2002 Kelleghan ..... D8/18

**OTHER PUBLICATIONS**

Seattle Seahawks Logo, [http://www.sportslogos.net/logos/view/pfiobtreag7j0pzvadtsc6jv/Seattle\\_Seahawks](http://www.sportslogos.net/logos/view/pfiobtreag7j0pzvadtsc6jv/Seattle_Seahawks) 4 pgs. (accessed Jun. 5, 2017).

\* cited by examiner

*Primary Examiner* — Elizabeth Albert  
(74) *Attorney, Agent, or Firm* — Kilpatrick Townsend & Stockton LLP

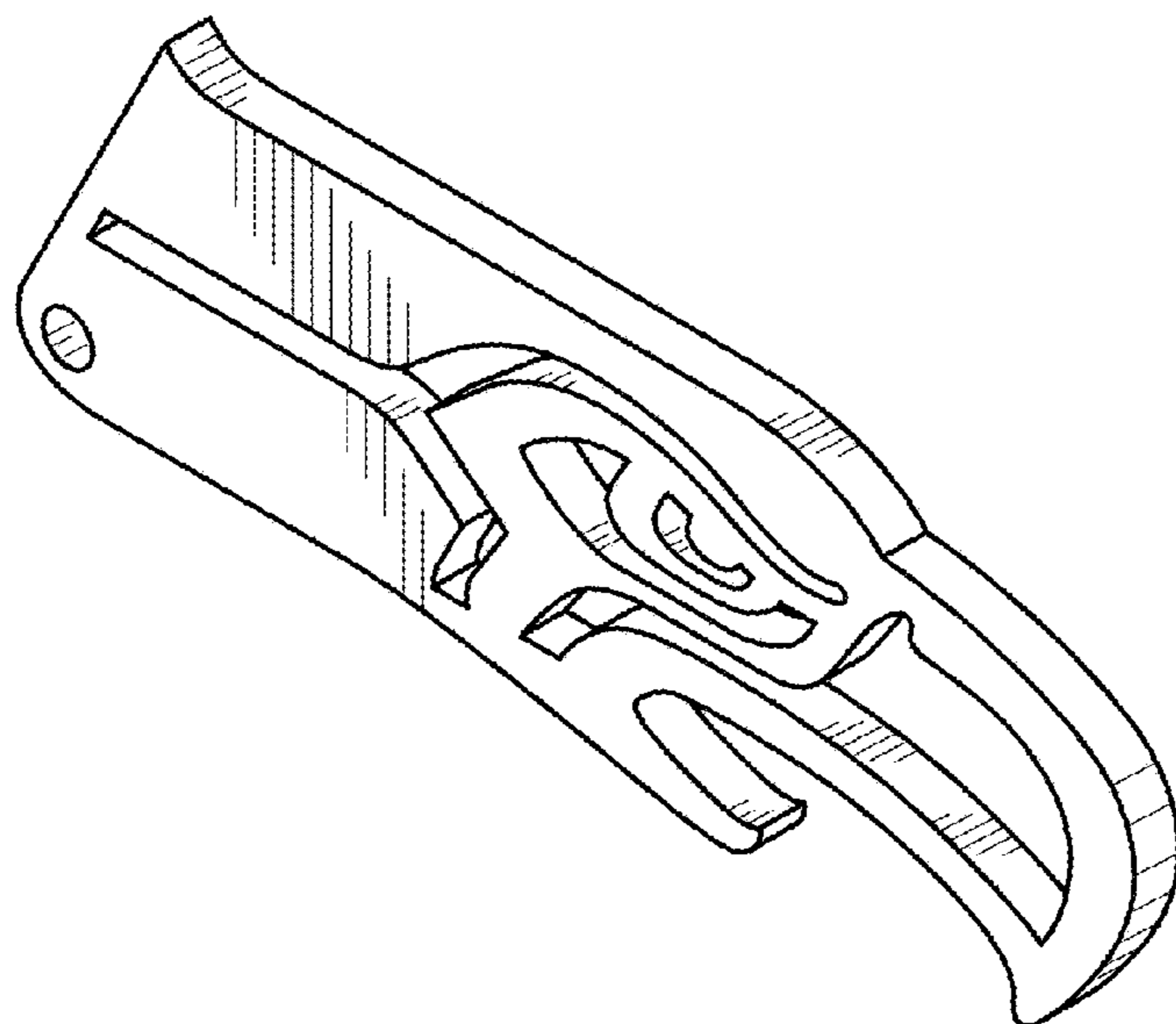
(57) **CLAIM**

The ornamental design for a key chain bottle opener, as shown.

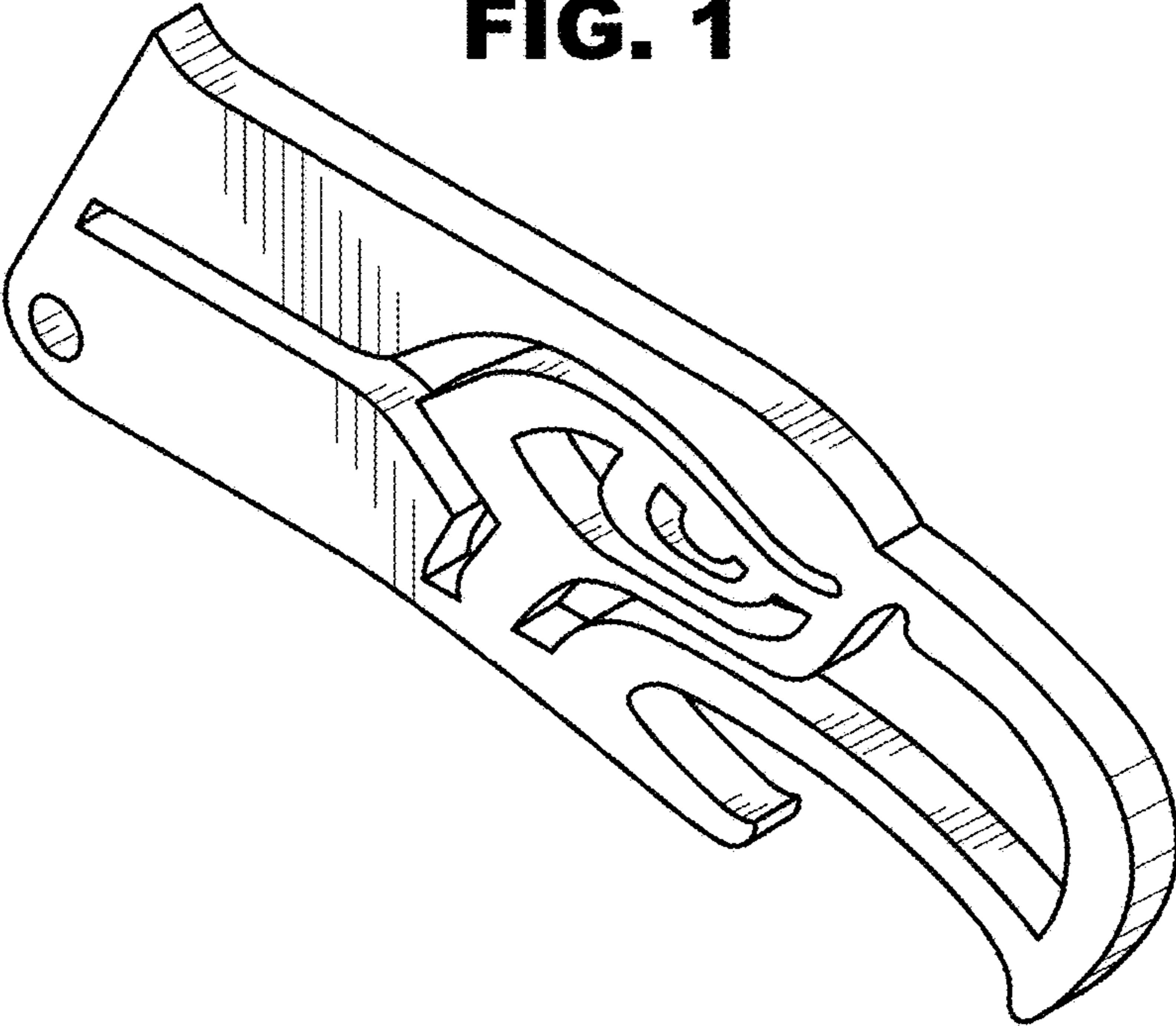
**DESCRIPTION**

FIG. 1 is a perspective view of a key chain bottle opener showing my new design;  
FIG. 2 is a front side elevational view thereof;  
FIG. 3 is a rear side elevational view thereof;  
FIG. 4 is a right side elevational view thereof;  
FIG. 5 is a left side elevational view thereof;  
FIG. 6 is a top plan view thereof; and,  
FIG. 7 is a bottom plan view thereof.

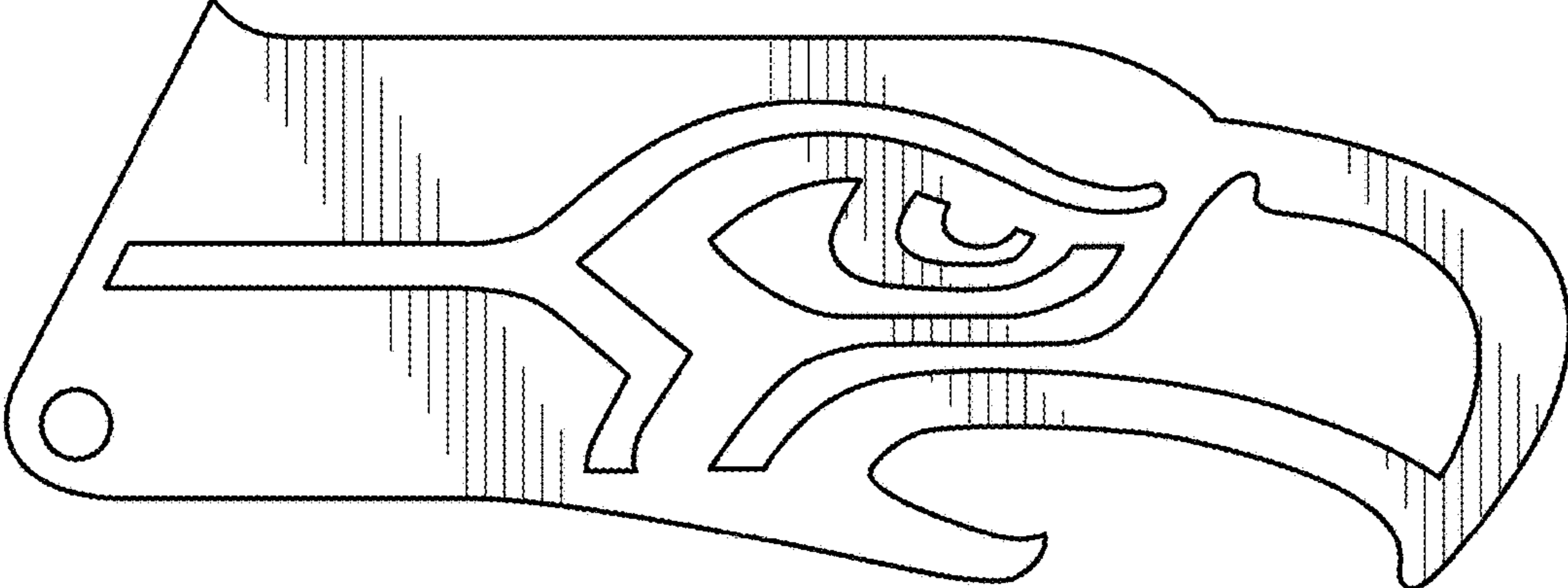
**1 Claim, 4 Drawing Sheets**



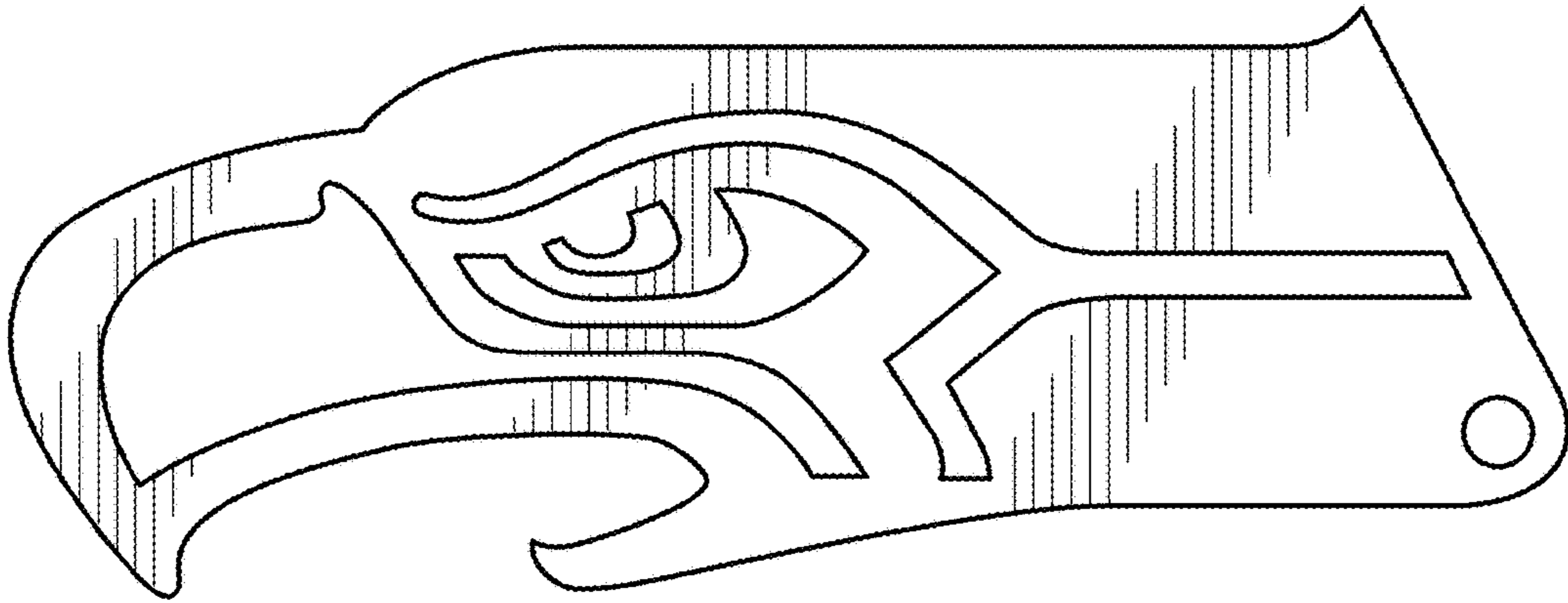
**FIG. 1**



**FIG. 2**



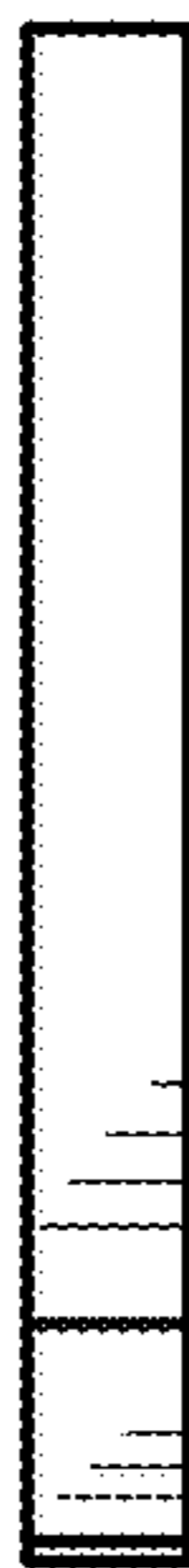
**FIG. 3**



**FIG. 4**



**FIG. 5**



**FIG. 6**



**FIG. 7**

