



US00D820647S

(12) **United States Design Patent** (10) **Patent No.:** **US D820,647 S**
Rane et al. (45) **Date of Patent:** **** Jun. 19, 2018**

(54) **INSULATING DEVICE**

FOREIGN PATENT DOCUMENTS

(71) Applicant: **YETI Coolers, LLC**, Austin, TX (US)

CN 201128555 Y 10/2008
CN 102305335 A 1/2012

(72) Inventors: **Mark Rane**, Austin, TX (US); **Dustin Bullock**, Austin, TX (US)

(Continued)

(73) Assignee: **YETI Coolers, LLC**, Austin, TX (US)

Apr. 3, 2017—(WO) International Search Report and Written Opinion.

(**) Term: **15 Years**

(Continued)

(21) Appl. No.: **29/604,261**

Primary Examiner — Terry A Wallace

(22) Filed: **May 16, 2017**

(74) *Attorney, Agent, or Firm* — Banner & Witcoff, Ltd.

(51) **LOC (11) Cl.** **07-01**

(57) **CLAIM**

(52) **U.S. Cl.**

The ornamental design for an insulating device, as shown and described.

USPC **D7/605**

DESCRIPTION

(58) **Field of Classification Search**

USPC D7/605–607, 629, 630; D3/272–274,
D3/201–206, 203.1–203.8

CPC .. A45C 11/20; A45C 5/14; A45C 5/03; A45C
9/00; A47B 77/08; A47G 19/2288; F25B
19/00; B62B 3/003; B65D 81/3823;
B65D 81/3858; B65D 81/3813; B65D
81/3888; B65D 81/3816; F25D 3/08;
F25D 3/12; F25D 3/14; F25D 27/00;
F25D 2331/804; F25D 31/005

See application file for complete search history.

FIG. 1 is a top, front, left perspective view of an insulating device showing our new design in an open configuration; FIG. 2 is a front view thereof; FIG. 3 is a rear view thereof; FIG. 4 is a right side view thereof; FIG. 5 is a left side view thereof; FIG. 6 is a top view thereof; FIG. 7 is a bottom view thereof; FIG. 8 is a top, front, right perspective view of an insulating device showing our new design in a closed configuration; FIG. 9 is a front view thereof; FIG. 10 is a rear view thereof; FIG. 11 is a right side view thereof; FIG. 12 is a left side view thereof; FIG. 13 is a top view thereof; and, FIG. 14 is a bottom view thereof.

The uneven-length broken lines represent unclaimed boundaries of the claimed design. The even-length broken lines showing the remainder of the insulating device represent unclaimed subject matter and form no part of the claimed design.

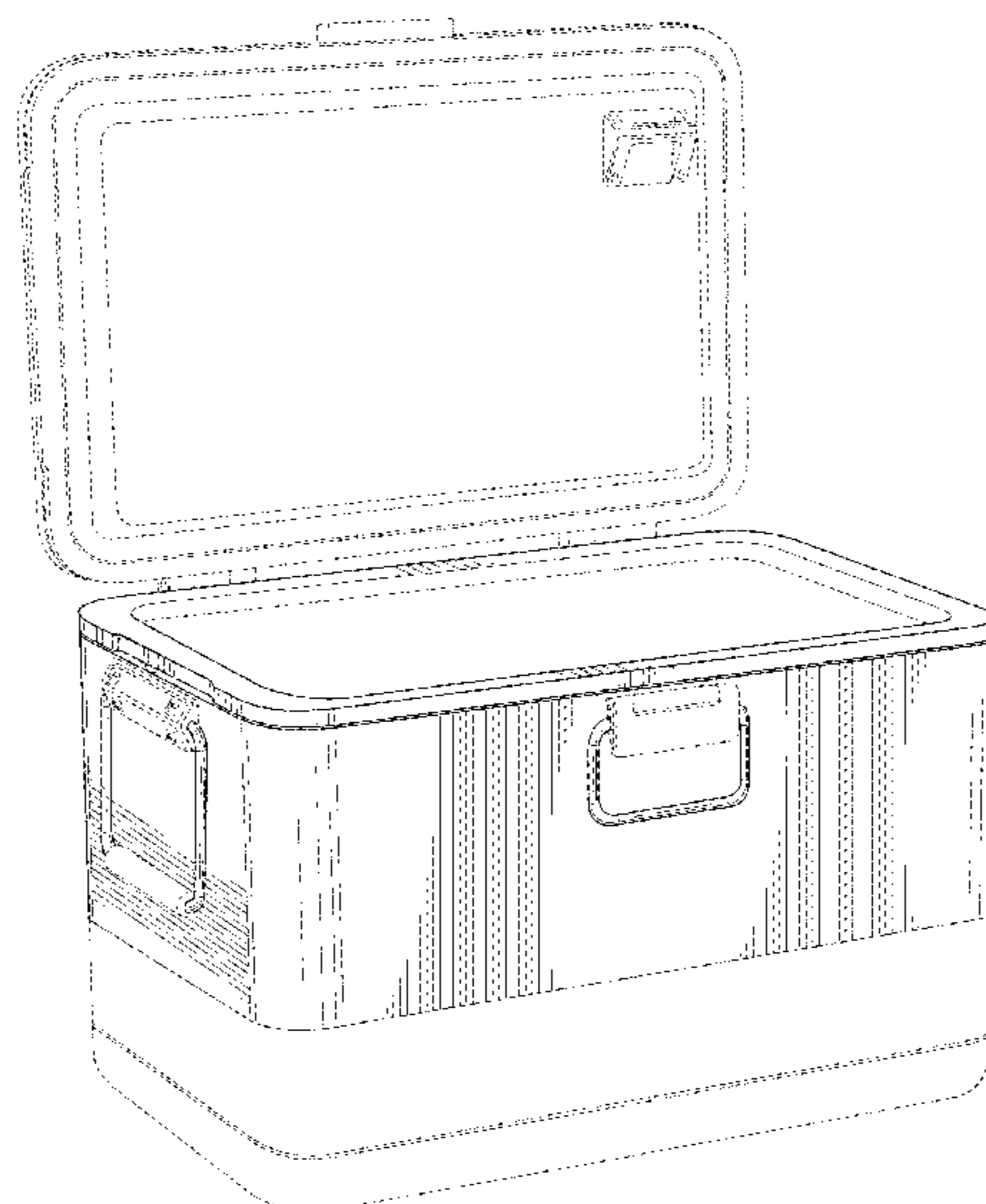
(56) **References Cited**

U.S. PATENT DOCUMENTS

2,184,336 A 12/1939 Devine
2,239,128 A 4/1941 Sykes
2,555,126 A 5/1951 Greve
2,570,300 A 10/1951 Acton
2,892,564 A 6/1959 Morrison
2,927,712 A 3/1960 Armato, Sr.

(Continued)

1 Claim, 14 Drawing Sheets



(56)

References Cited

U.S. PATENT DOCUMENTS

3,168,362 A 2/1965 Perkins
 3,302,358 A 2/1967 Jackson
 3,389,824 A 6/1968 Berchtold
 3,406,532 A 10/1968 Rownd
 3,979,007 A 9/1976 Thombloom, Jr.
 4,024,731 A * 5/1977 Branscum B65D 81/3823
 215/385
 4,143,695 A 3/1979 Hoehn
 4,249,392 A 2/1981 Hotta
 4,537,044 A 8/1985 Putnam
 4,573,581 A 3/1986 Galloway et al.
 5,082,335 A 1/1992 Cur et al.
 5,175,975 A 1/1993 Benson et al.
 5,392,960 A 2/1995 Kendt et al.
 5,408,832 A 4/1995 Boffito et al.
 5,570,588 A 11/1996 Lowe
 5,780,521 A 7/1998 Schmidt et al.
 5,843,353 A 12/1998 De Vos et al.
 5,875,916 A 3/1999 Crockett, Sr. et al.
 5,896,641 A 4/1999 Yamada et al.
 5,943,876 A 8/1999 Meyer et al.
 6,003,719 A 12/1999 Stewart, III
 6,027,249 A 2/2000 Bielinski
 6,067,813 A 5/2000 Smith
 D429,966 S 8/2000 Israel et al.
 6,128,914 A 10/2000 Tamaoki et al.
 6,131,404 A 10/2000 Hase et al.
 6,220,473 B1 4/2001 Lehman et al.
 6,244,458 B1 6/2001 Frysinger et al.
 6,308,518 B1 10/2001 Hunter
 6,381,981 B1 5/2002 Yaddgo et al.
 6,397,620 B1 6/2002 Kelly et al.
 6,415,623 B1 7/2002 Jennings et al.
 6,457,323 B1 10/2002 Marotta
 6,488,172 B1 12/2002 Wenning et al.
 6,536,228 B1 3/2003 Hall
 6,938,968 B2 9/2005 Tanimoto et al.
 7,057,527 B2 6/2006 Hunter
 7,140,508 B2 11/2006 Kuhn et al.
 D544,756 S 6/2007 Jones et al.
 D544,757 S 6/2007 Jones et al.
 D544,758 S 6/2007 Jones et al.
 D544,759 S 6/2007 Jones et al.
 D547,129 S 7/2007 Jones et al.
 D547,617 S 7/2007 Jones et al.
 7,263,855 B2 9/2007 Meyer et al.
 D552,426 S 10/2007 Jones et al.
 7,669,436 B2 3/2010 Mogil et al.
 7,681,405 B2 3/2010 Williams
 7,722,204 B1 * 5/2010 Sandberg F25D 27/005
 362/155
 7,784,301 B2 8/2010 Sasaki et al.
 7,833,605 B2 11/2010 Tenra et al.
 7,937,958 B2 5/2011 Shinya et al.
 7,950,246 B1 5/2011 Mayer et al.
 8,176,749 B2 5/2012 LaMere et al.
 8,215,518 B2 7/2012 Hyde et al.
 8,381,939 B2 2/2013 Schultz et al.
 8,573,002 B2 11/2013 Ledoux et al.
 8,622,235 B2 1/2014 Suchecki
 8,763,423 B2 7/2014 Tattam
 8,763,847 B2 7/2014 Mortarotti
 8,800,795 B2 8/2014 Hwang
 8,875,934 B2 11/2014 Deka
 8,887,515 B2 11/2014 Patstone
 8,986,805 B2 3/2015 Yoon et al.
 9,022,249 B2 5/2015 Ranade
 9,139,352 B2 9/2015 Seiders et al.
 9,140,481 B2 9/2015 Cur et al.
 D744,786 S * 12/2015 Bagwell D7/605
 D745,809 S * 12/2015 Rowley D7/605
 9,272,475 B2 3/2016 Ranade et al.
 9,389,013 B2 7/2016 Rolek et al.
 9,464,751 B2 10/2016 Toshimitsu et al.
 9,527,652 B2 12/2016 Furneaux et al.

9,550,618 B1 1/2017 Jobe
 9,555,946 B1 1/2017 Warman
 2002/0130131 A1 9/2002 Zucker et al.
 2002/0144482 A1 10/2002 Henson et al.
 2003/0124300 A1 7/2003 Gregorio et al.
 2004/0185203 A1 9/2004 Gregorio et al.
 2004/0231355 A1 11/2004 Mayer
 2005/0189404 A1 9/2005 Xiaohai et al.
 2005/0205584 A1 9/2005 Degermann
 2006/0279947 A1 * 12/2006 Henley, Jr. F25D 27/00
 362/154
 2007/0125118 A1 6/2007 Hooper
 2007/0217187 A1 9/2007 Blakely et al.
 2008/0127668 A1 6/2008 DeVito et al.
 2008/0178629 A1 7/2008 Meether
 2009/0001086 A1 1/2009 Roderick et al.
 2009/0032541 A1 2/2009 Rogala et al.
 2009/0071088 A1 3/2009 Viegas et al.
 2009/0126600 A1 5/2009 Zupancich et al.
 2010/0326993 A1 12/2010 Mayer et al.
 2011/0147391 A1 6/2011 Corder et al.
 2011/0248038 A1 10/2011 Mayer
 2012/0225236 A1 9/2012 Cox
 2012/0237715 A1 9/2012 McCracken
 2012/0297813 A1 11/2012 Hanley et al.
 2012/0318808 A1 12/2012 McCormick
 2013/0033854 A1 * 2/2013 Statham F25D 27/00
 362/154
 2013/0140317 A1 6/2013 Roskoss
 2013/0248649 A1 9/2013 Burd
 2014/0008374 A1 1/2014 Lubart et al.
 2014/0151382 A1 6/2014 White et al.
 2015/0166244 A1 6/2015 Wood et al.
 2015/0259126 A1 9/2015 McGoff et al.
 2015/0284169 A1 10/2015 Nehring
 2015/0369529 A1 12/2015 Monroe
 2016/0039594 A1 2/2016 Ranade
 2016/0090227 A1 3/2016 Miller
 2016/0187045 A1 6/2016 McGarry
 2016/0230918 A1 8/2016 Kim et al.
 2016/0244239 A1 8/2016 Nash
 2017/0121097 A1 5/2017 Pranadi et al.

FOREIGN PATENT DOCUMENTS

CN 102748558 A 10/2012
 CN 202463019 U 10/2012
 CN 202594113 U 12/2012
 CN 104964124 A 10/2015
 CN 303435939 S 11/2015
 DE 202004016939 U1 3/2005
 EP 1505359 A1 2/2005
 EP 2022728 A1 2/2009
 EP 2883812 A1 6/2015
 GB 2222791 A 3/1990
 JP 2005035632 A 2/2005
 JP 2007246097 A 9/2007
 WO 9711842 A1 4/1997
 WO 2016070956 A1 5/2016
 WO 2016181111 A1 11/2016

OTHER PUBLICATIONS

60 Qt. Stainless Steel Party Cooler by Oakland Living, retrieved from Internet Jul. 6, 2017, URL: <https://www.wayfair.com/Oakland-Living-60-Qt.-Stainless-Steel-Party-Cooler-OAA2986.html>, 5 pp.
 80 Qt. Stainless Steel Rolling Cooler with Cover by Trinity, retrieved from Internet Jul. 6, 2017, URL: <https://www.wayfair.com/Trinity-80-Qt.-Stainless-Steel-Rolling-Cooler-with-Cover-TTY1173.html>, 5 pp.
 Kitchenall Beverage Air DW64-S Deep Well Beer Cooler, Stainless Steel, retrieved from Internet Jul. 6, 2017, URL: <https://www.kitchenall.com/beverage-air-dw64-s.html>, 3 pp.
 Coleman Steel Belted Review, retrieved from Internet Jul. 6, 2017, URL: <http://www.coolersonsale.com/coleman-steel-belted>, 10 pp.

(56)

References Cited

OTHER PUBLICATIONS

Igloo Stainless Steel 54-Quart Cooler, retrieved from Internet Feb. 5, 2018, URL: <https://www.igloocoolers.com/products/44669-legacy-stainless-steel-54-qt-cooler-stainless>, 4 pp.

Koolatron 54-Qt Corona Stainless Steel Ice Chest Cooler, retrieved from Internet Jul. 6, 2017, URL: https://www.wayfair.com/Koolatron-54-Qt.-Corona-Stainless-Steel-Ice-Chest_Cooler-KOO1576.html, 4 pp.

Portable Plastic Inner Ice Box Refrigerated Cooler box by Shengshi, retrieved from Internet Jul. 7, 2017, URL: https://www.alibaba.com/product-detail/Portable-Plastic-Inner-Ice-Box-Regrigerated_1073478882.html?s=p, 7 pp.

Vintage Beer Cooler, retrieved from Internet Jul. 6, 2017, URL: <http://www.ebay.com/bhp/vintage-beer-cooler>, 8 pp.

* cited by examiner

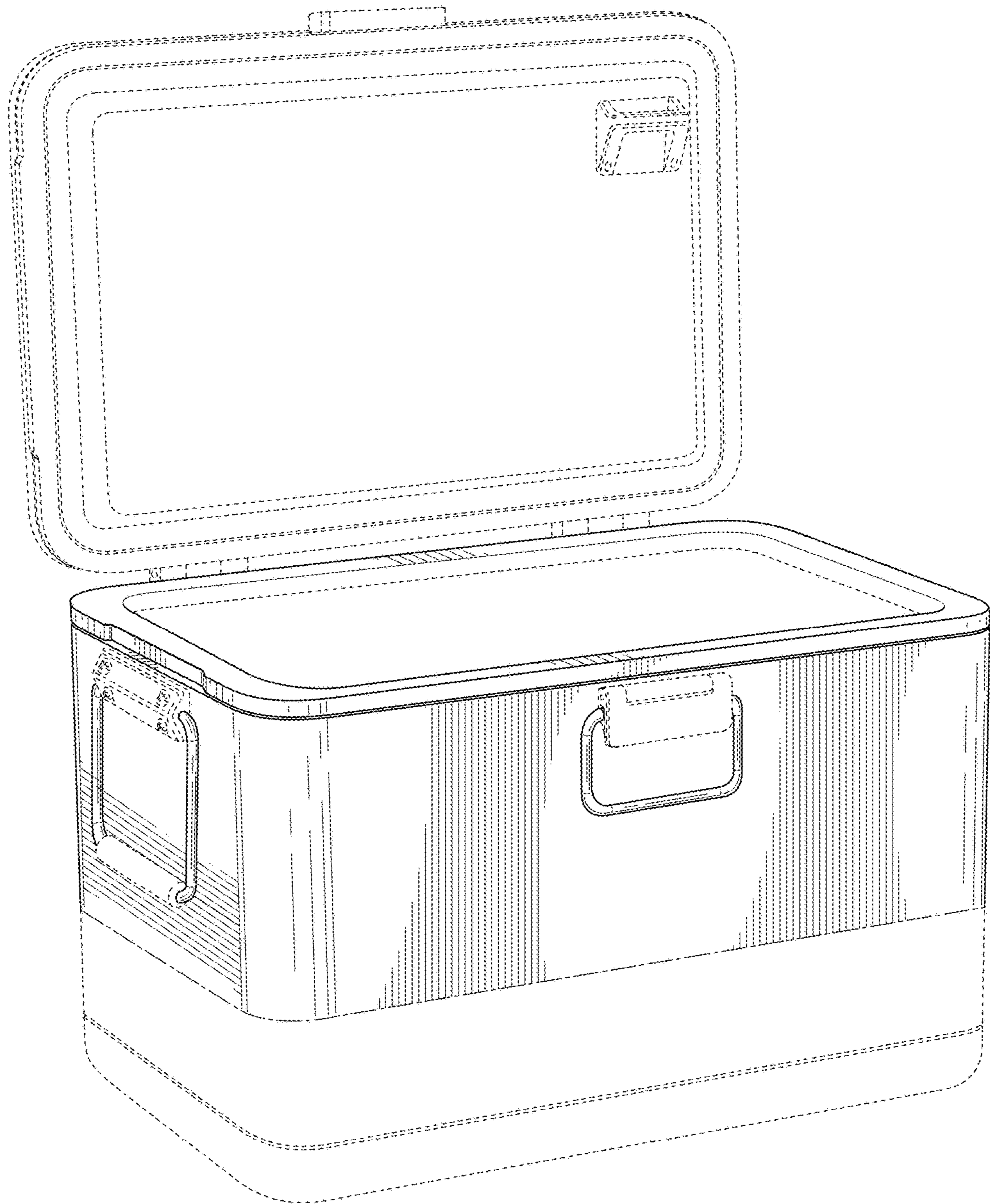


FIG. 1

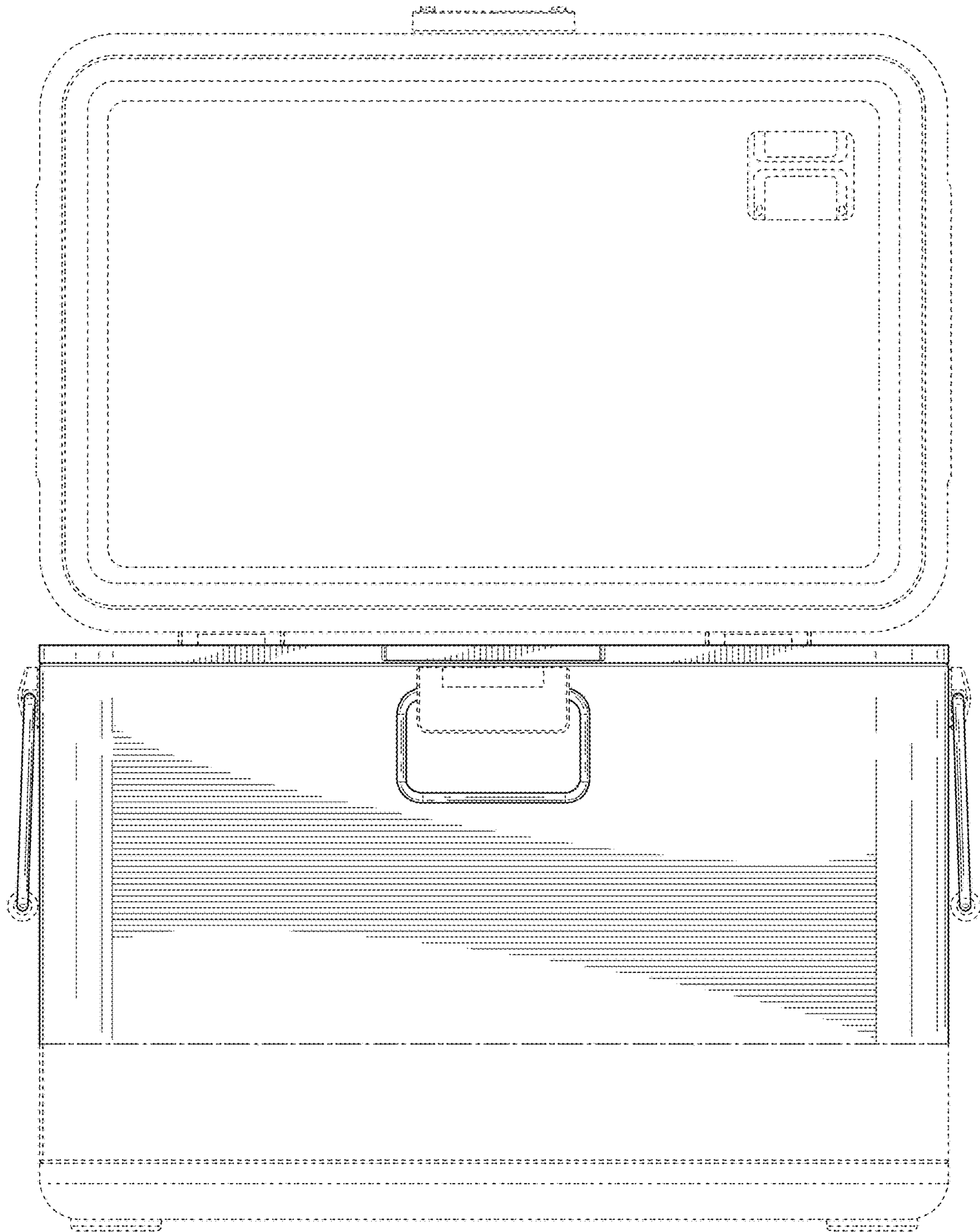


FIG. 2

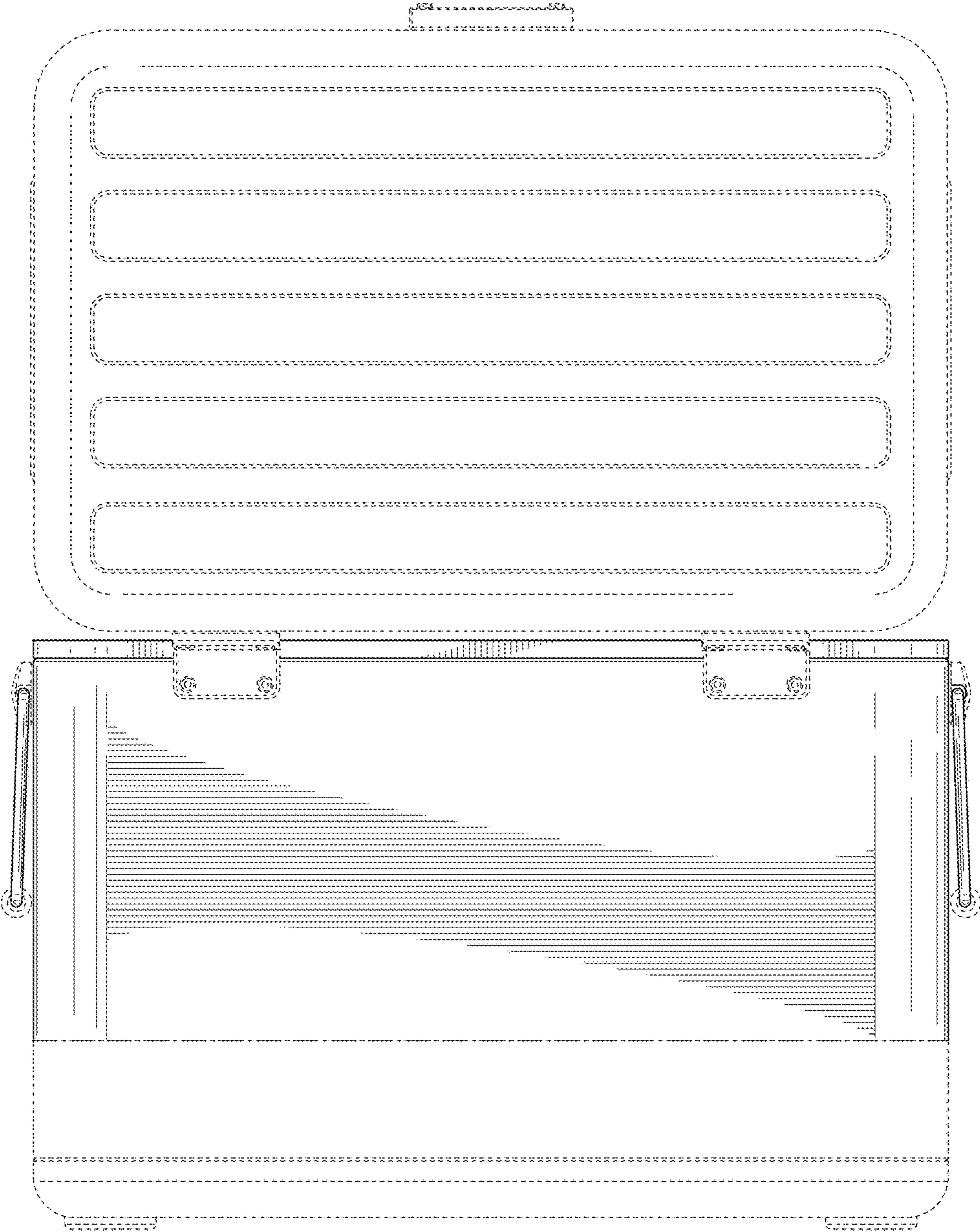


FIG. 3

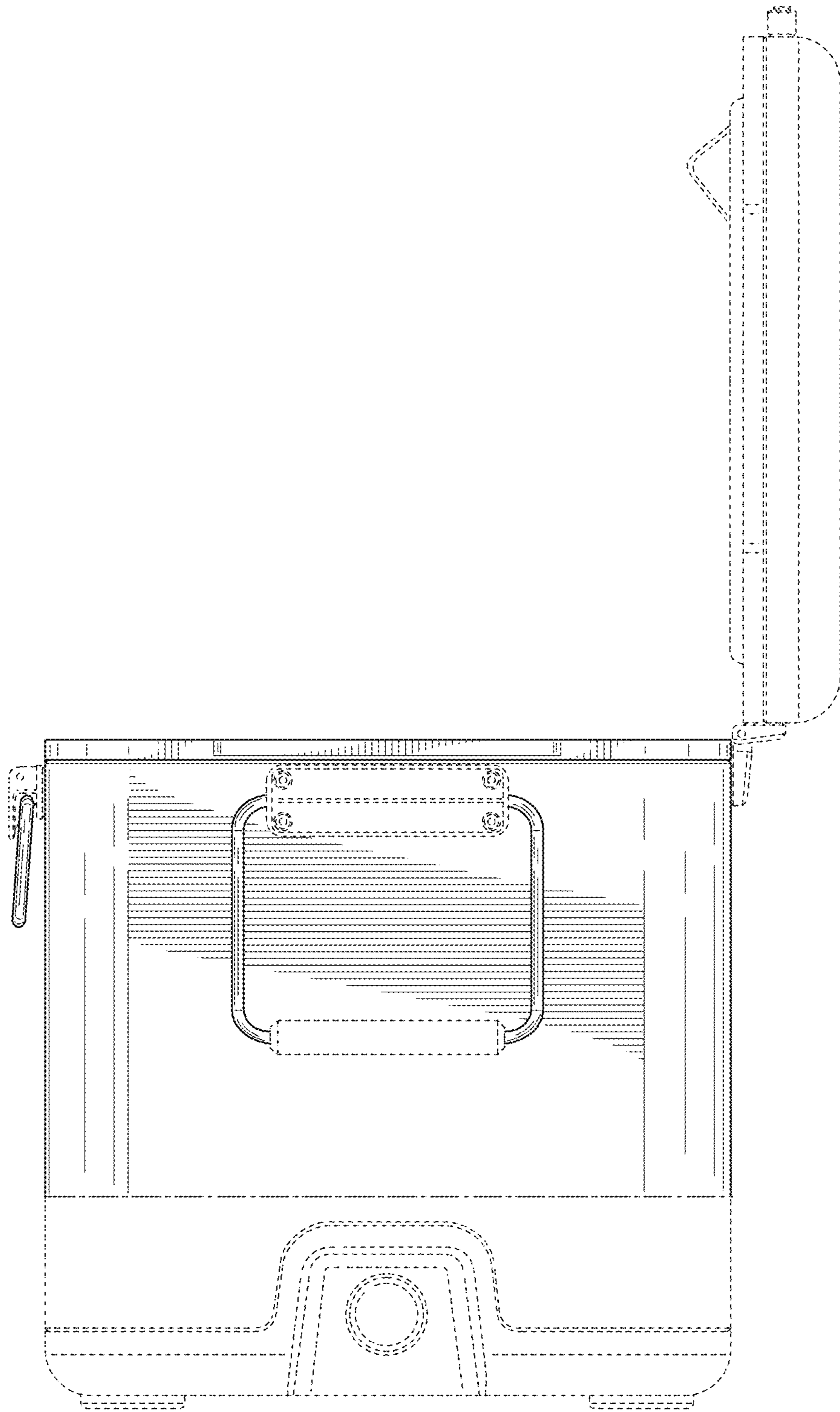


FIG. 4

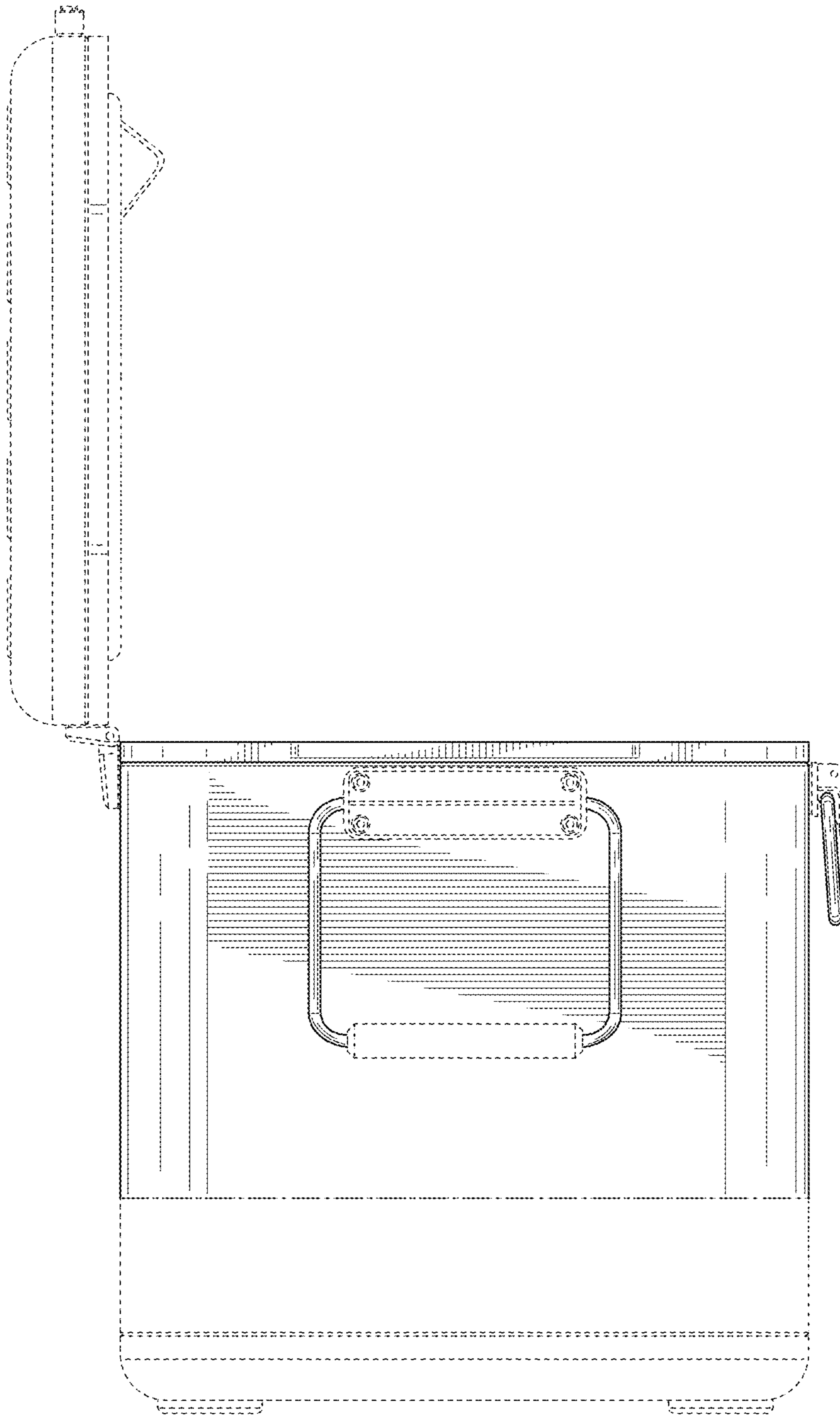


FIG. 5

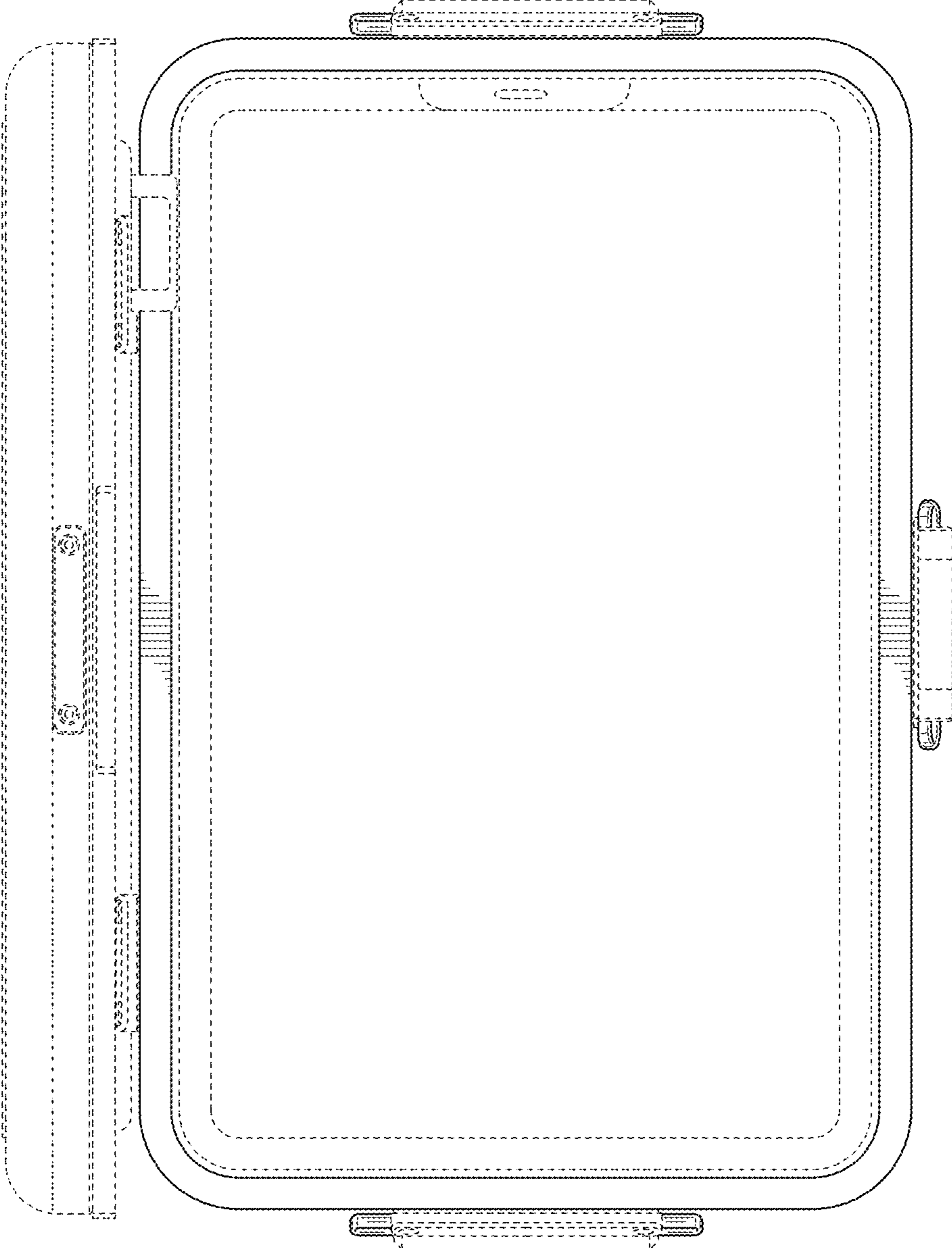


FIG. 6

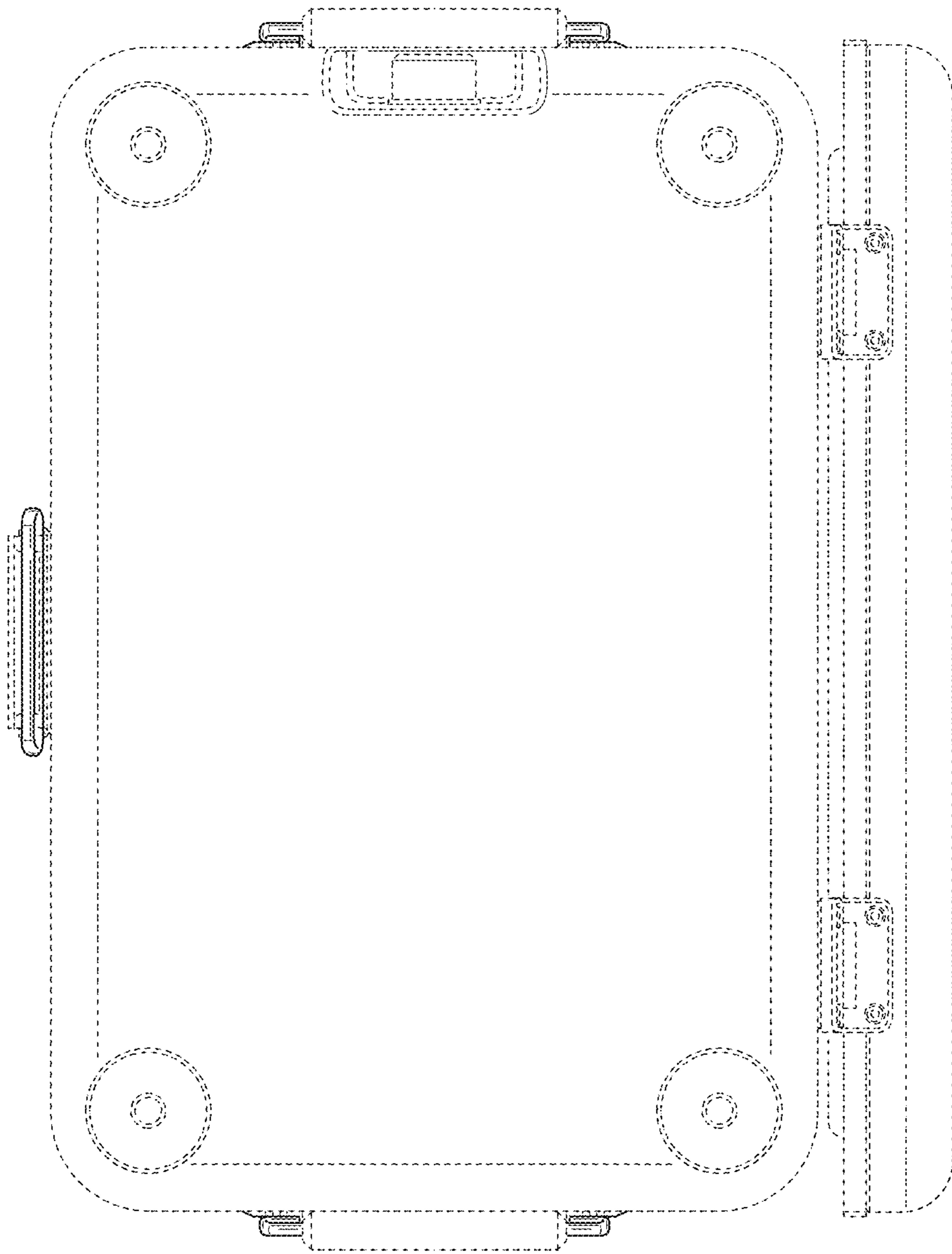


FIG. 7

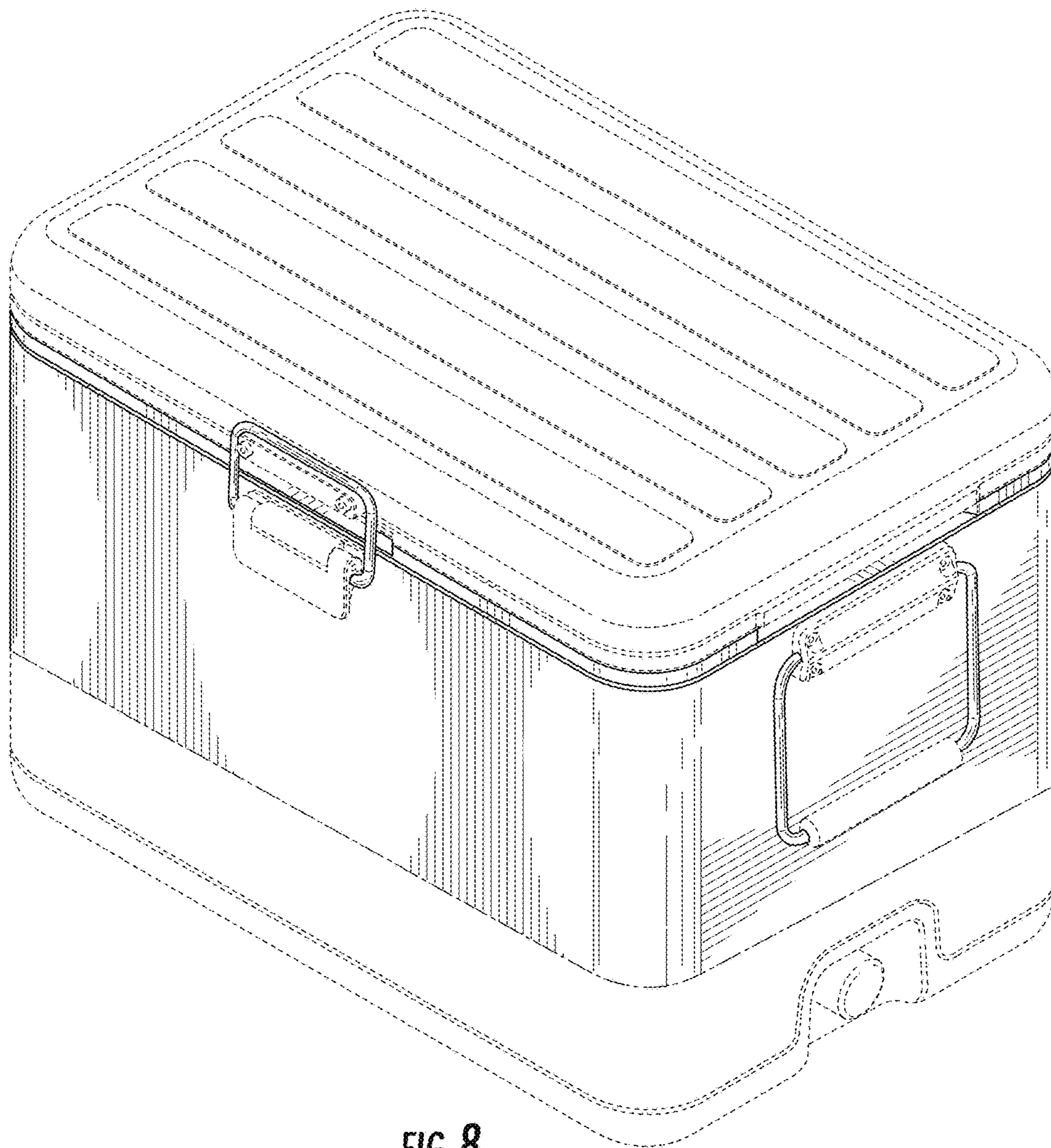


FIG. 8

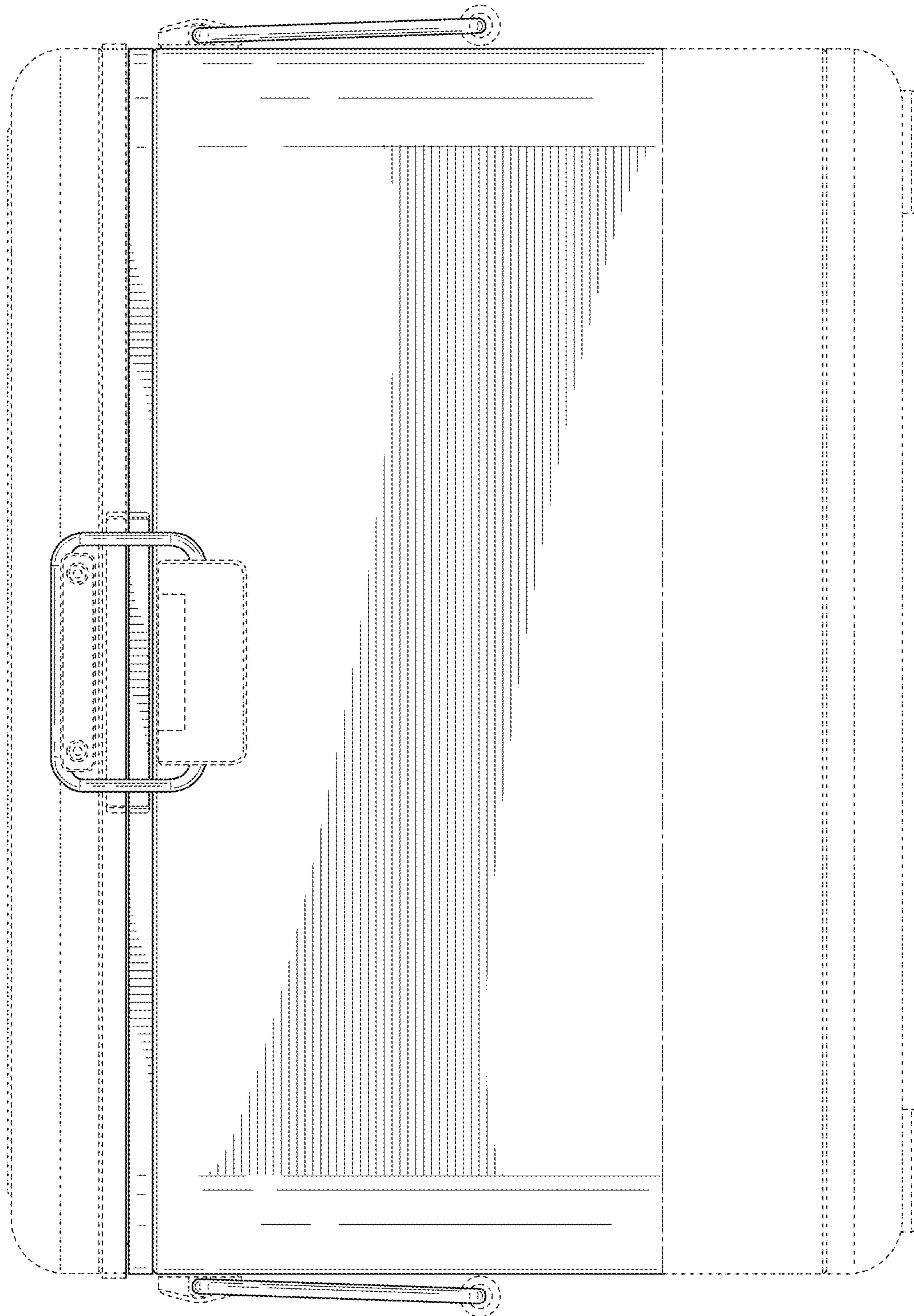


FIG. 9

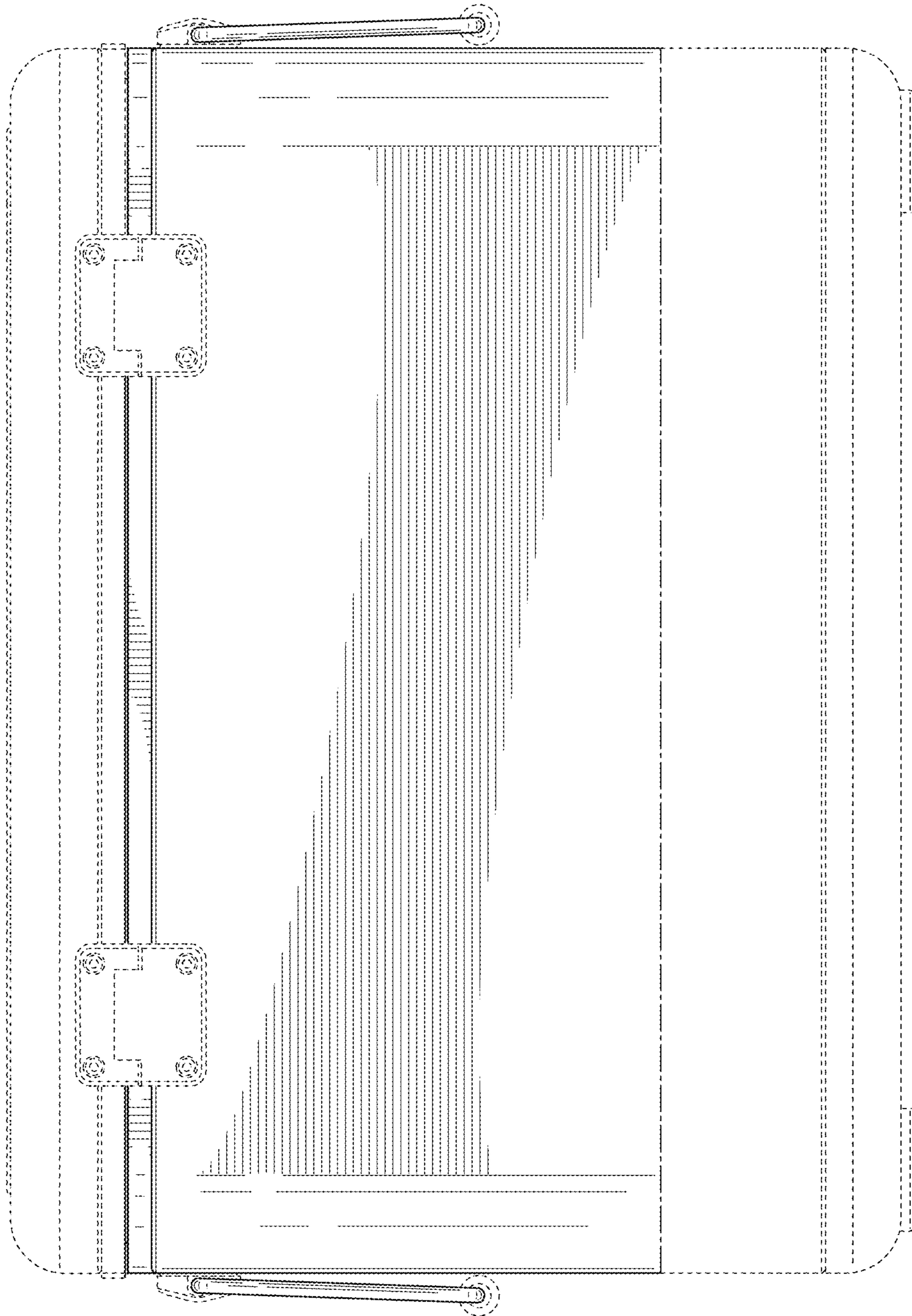


FIG. 10

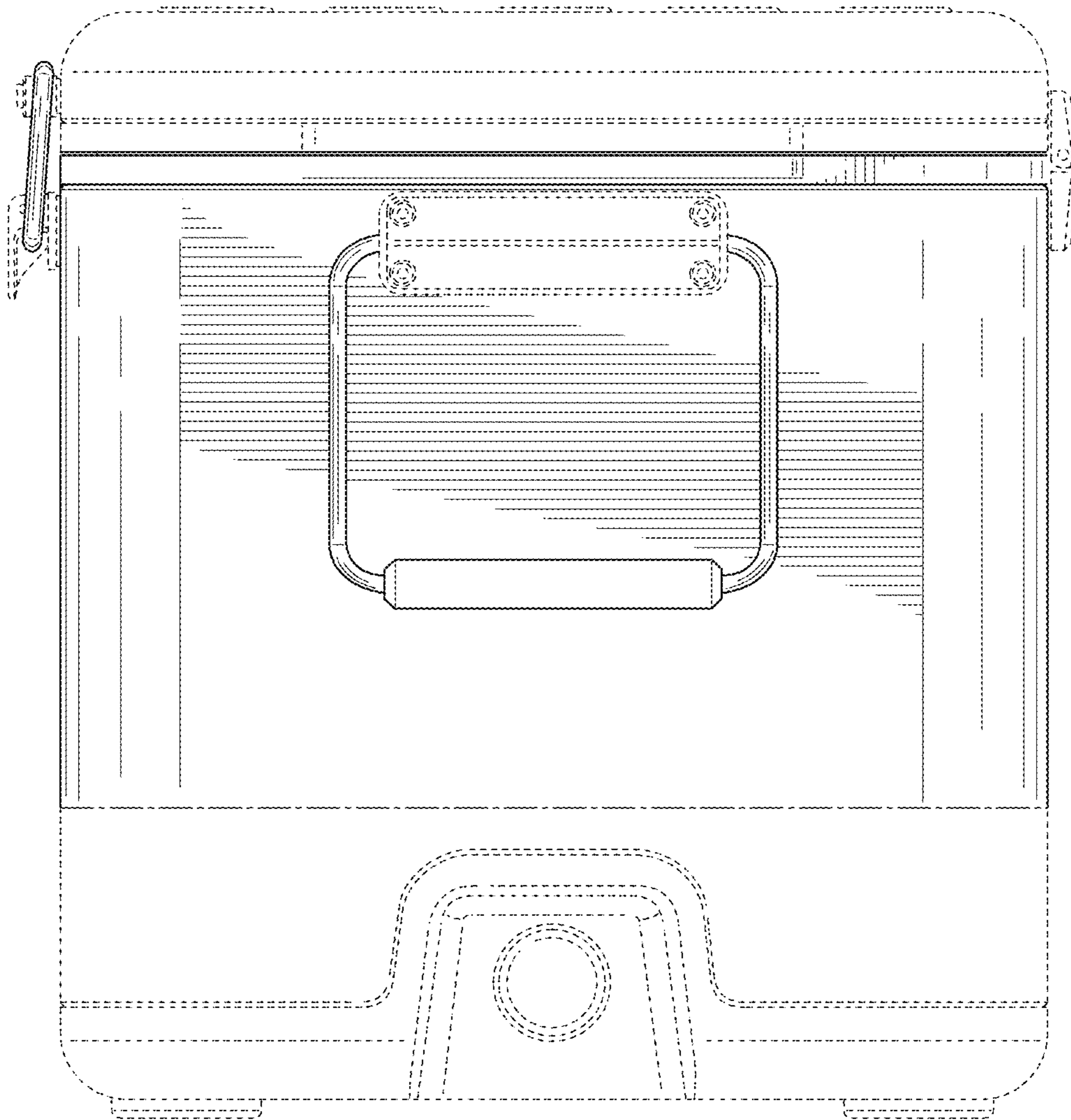


FIG. 11

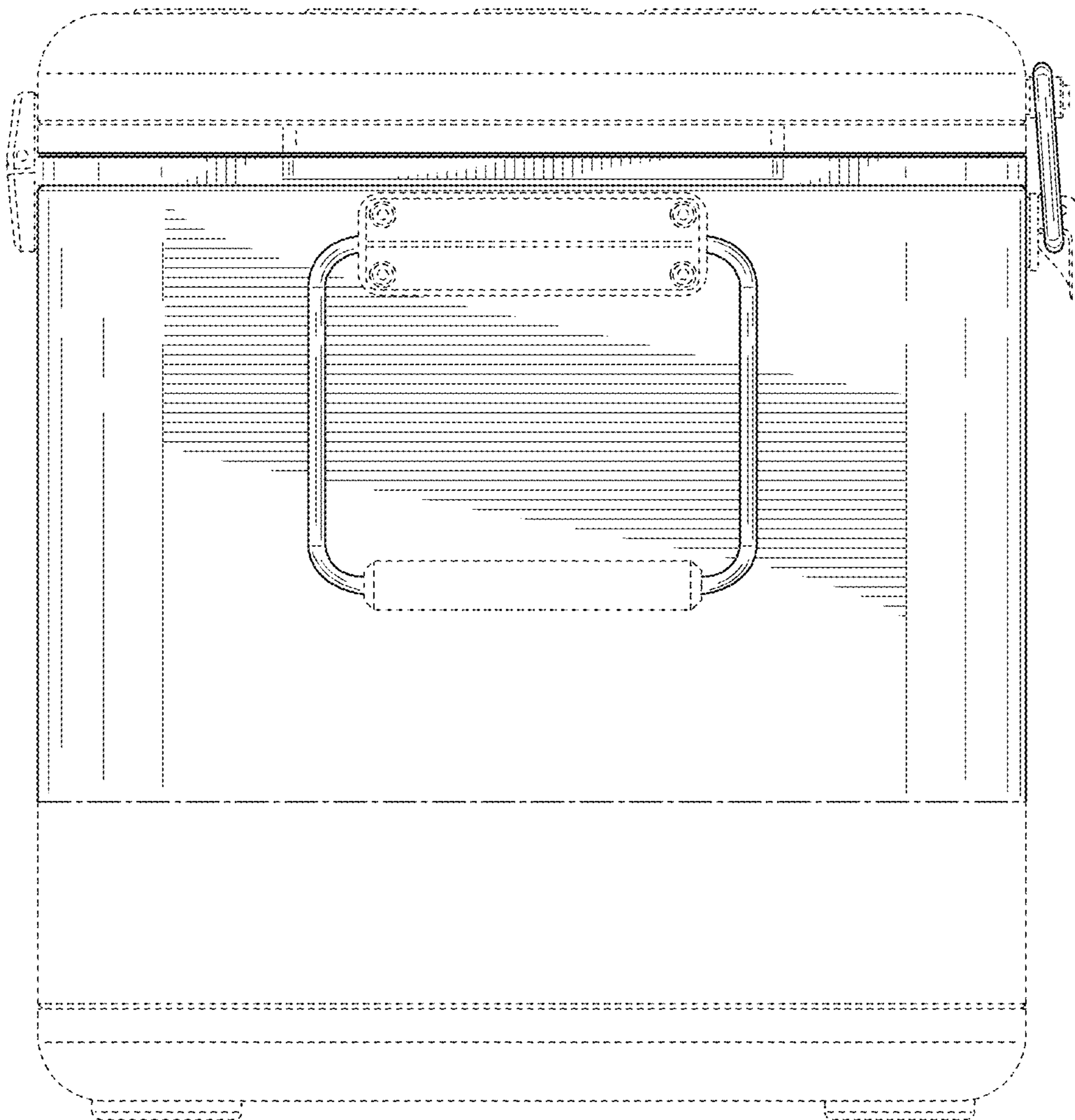


FIG. 12

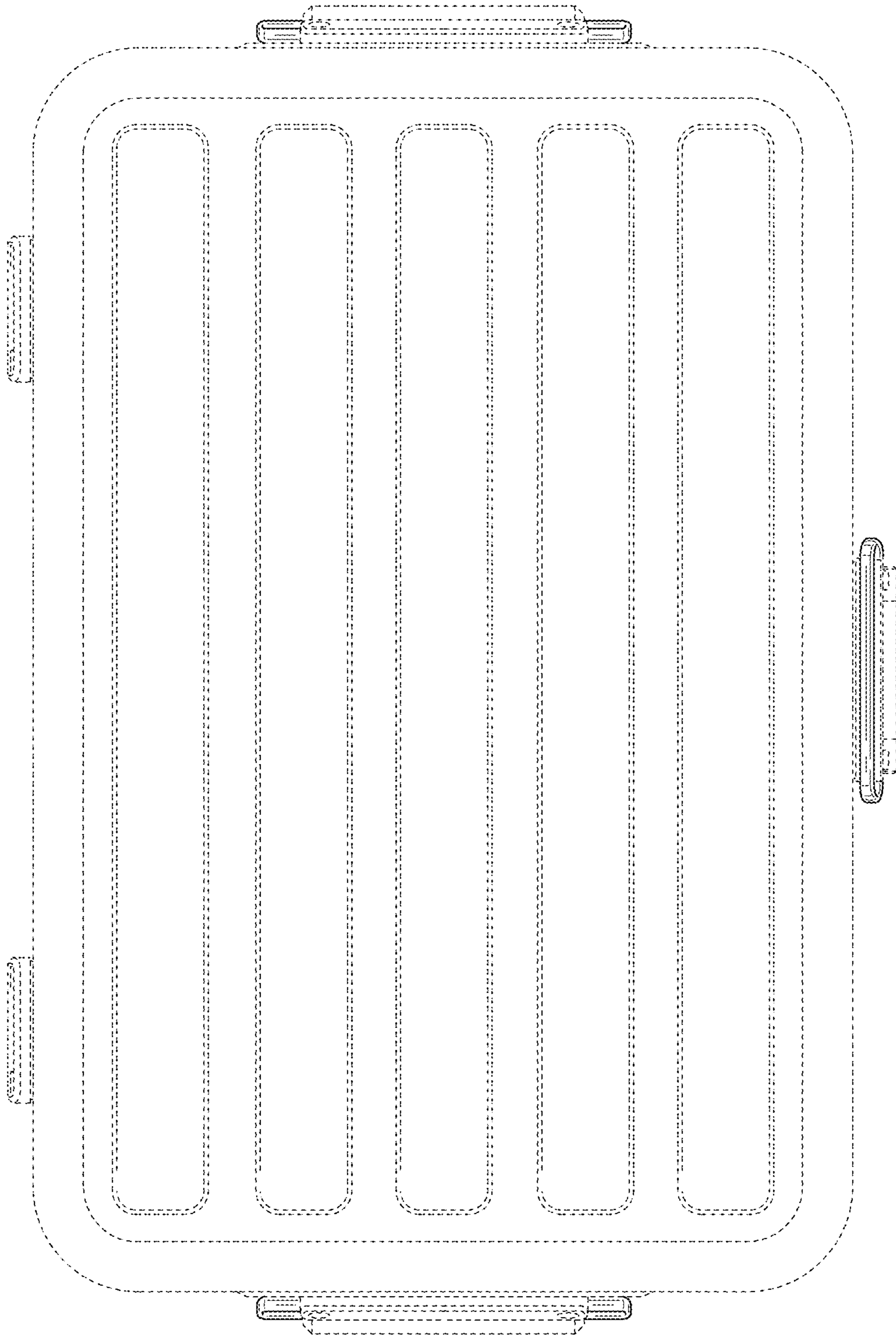


FIG. 13

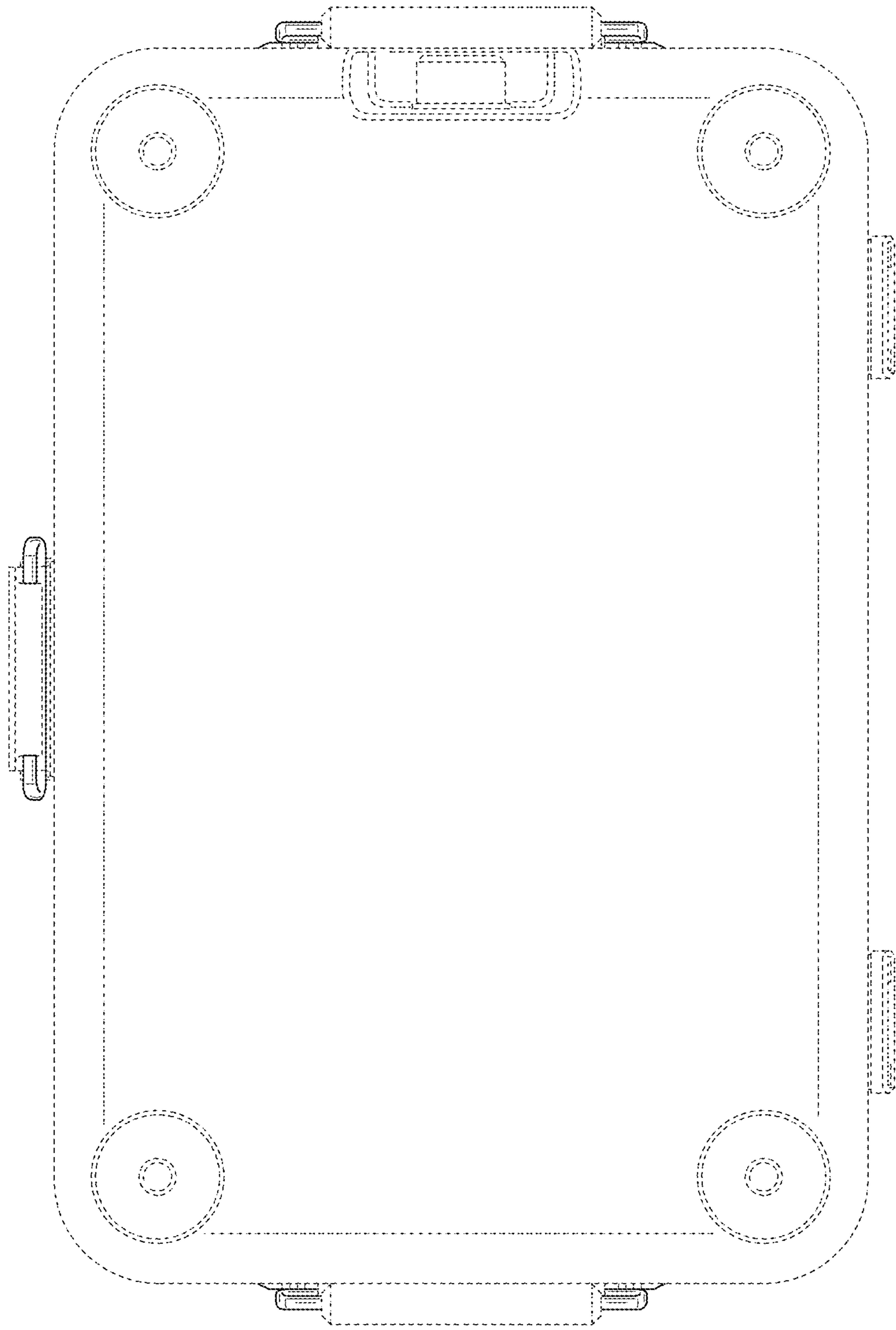


FIG. 14