



US00D820646S

(12) **United States Design Patent**
Yockey

(10) **Patent No.:** **US D820,646 S**
(45) **Date of Patent:** **** Jun. 19, 2018**

- (54) **CONTAINER**
- (71) Applicant: **Mantis Product Development Corp.**,
Pinckney, MI (US)
- (72) Inventor: **Steve Yockey**, Ann Arbor, MI (US)
- (73) Assignee: **Mantis Product Development Corp.**,
Pinckney, MI (US)
- (**) Term: **15 Years**
- (21) Appl. No.: **29/591,882**
- (22) Filed: **Jan. 25, 2017**
- (51) **LOC (11) Cl.** **07-01**
- (52) **U.S. Cl.**
USPC **D7/605**
- (58) **Field of Classification Search**
USPC D7/605, 607, 608, 630, 629, 703;
D3/273, 276, 279, 282, 284, 289, 902,
D3/901, 274; D12/419, 409, 423
CPC B65D 81/3813; B65D 81/3823; B65D
81/3888; B65D 81/3816; A45C 11/20;
F25B 19/00
See application file for complete search history.

- D455,934 S * 4/2002 Culp D7/605
- D467,129 S * 12/2002 Martin Perianes D7/605
- 7,044,344 B2 * 5/2006 Winkler A63B 71/00
224/274
- D592,910 S * 5/2009 Hanson D7/605
- 8,061,547 B2 * 11/2011 Camp, Jr. A45C 11/20
220/507
- D772,659 S * 11/2016 Middleton D7/629
- 2010/0078441 A1 * 4/2010 Barnett A45C 13/36
220/592.2
- 2014/0013789 A1 * 1/2014 Conrad F25D 3/08
62/331

* cited by examiner

Primary Examiner — Jennifer Rivard

Assistant Examiner — April Rivas

(74) *Attorney, Agent, or Firm* — Hoffmann & Baron, LLP

(57) **CLAIM**

The ornamental design for a container, as shown and described.

DESCRIPTION

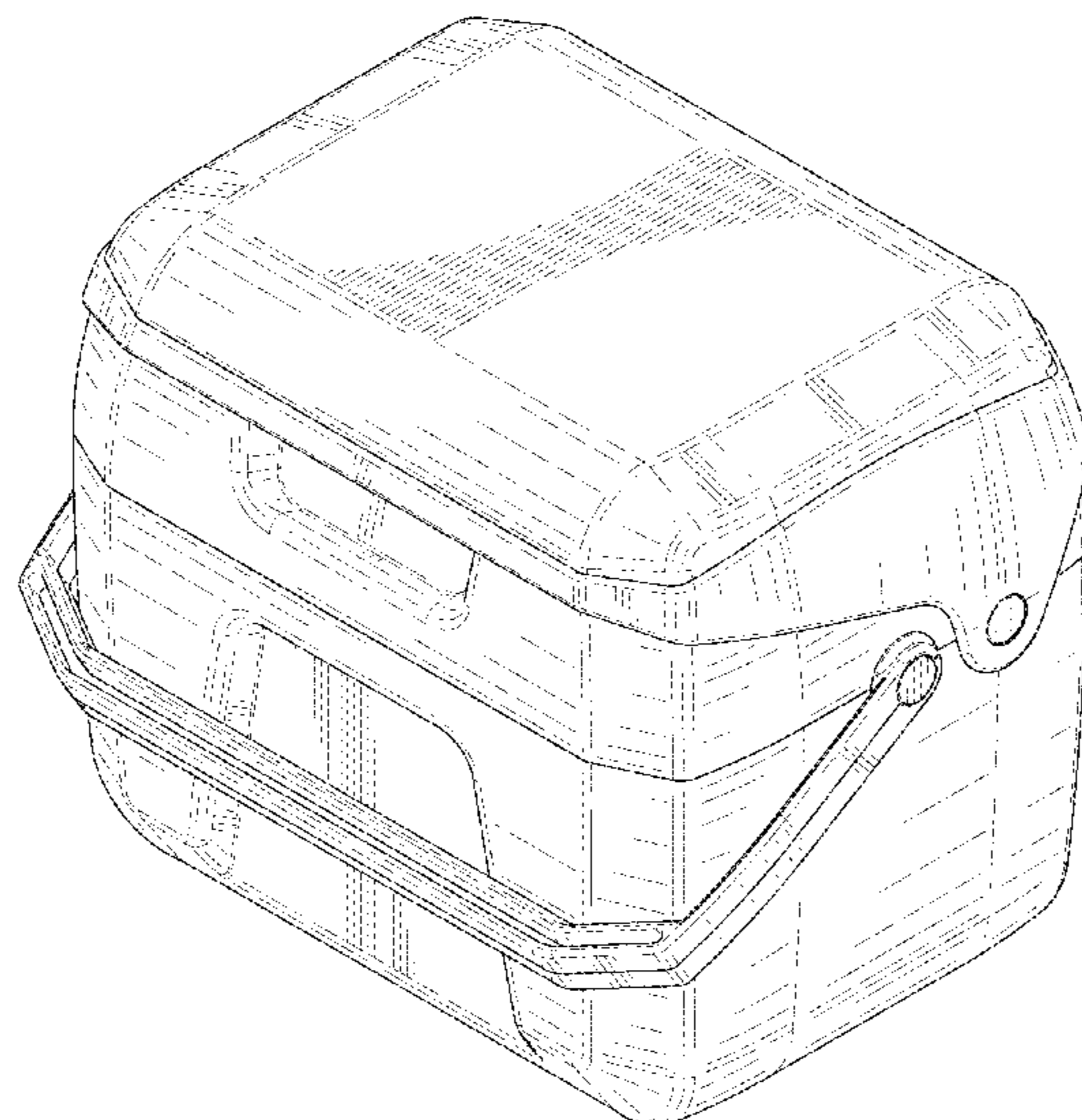
FIG. 1 is a top perspective view of a container constructed in accordance with the invention;
 FIG. 2 is a bottom perspective view of a container constructed in accordance with the invention;
 FIG. 3 is a front view of the container shown in FIG. 1;
 FIG. 4 is a left side elevational view of the container shown in FIG. 1;
 FIG. 5 is a rear view of the container shown in FIG. 1;
 FIG. 6 is a right side elevation view of a container shown in FIG. 1;
 FIG. 7 is a top elevation view of the container as shown in FIG. 1; and,
 FIG. 8 is a bottom elevation view of the container shown in FIG. 1.
 The broken lines illustrate portions of the container and form no part of the claimed design.

1 Claim, 8 Drawing Sheets

(56) **References Cited**

U.S. PATENT DOCUMENTS

- D239,249 S * 3/1976 Branscum D7/605
- D281,695 S * 12/1985 Ryan, Jr. D7/605
- D283,480 S * 4/1986 Bailey D7/605
- 4,989,767 A * 2/1991 Buschbom B60N 3/103
224/274
- D325,324 S * 4/1992 Kahl D7/605
- D325,853 S * 5/1992 Kahl D7/605
- D349,628 S * 8/1994 Kahl D7/605
- 6,036,047 A * 3/2000 Dobbie A45C 11/20
150/154
- 6,112,899 A * 9/2000 Zeringue A45C 11/20
206/541
- D451,765 S * 12/2001 Israel D7/605



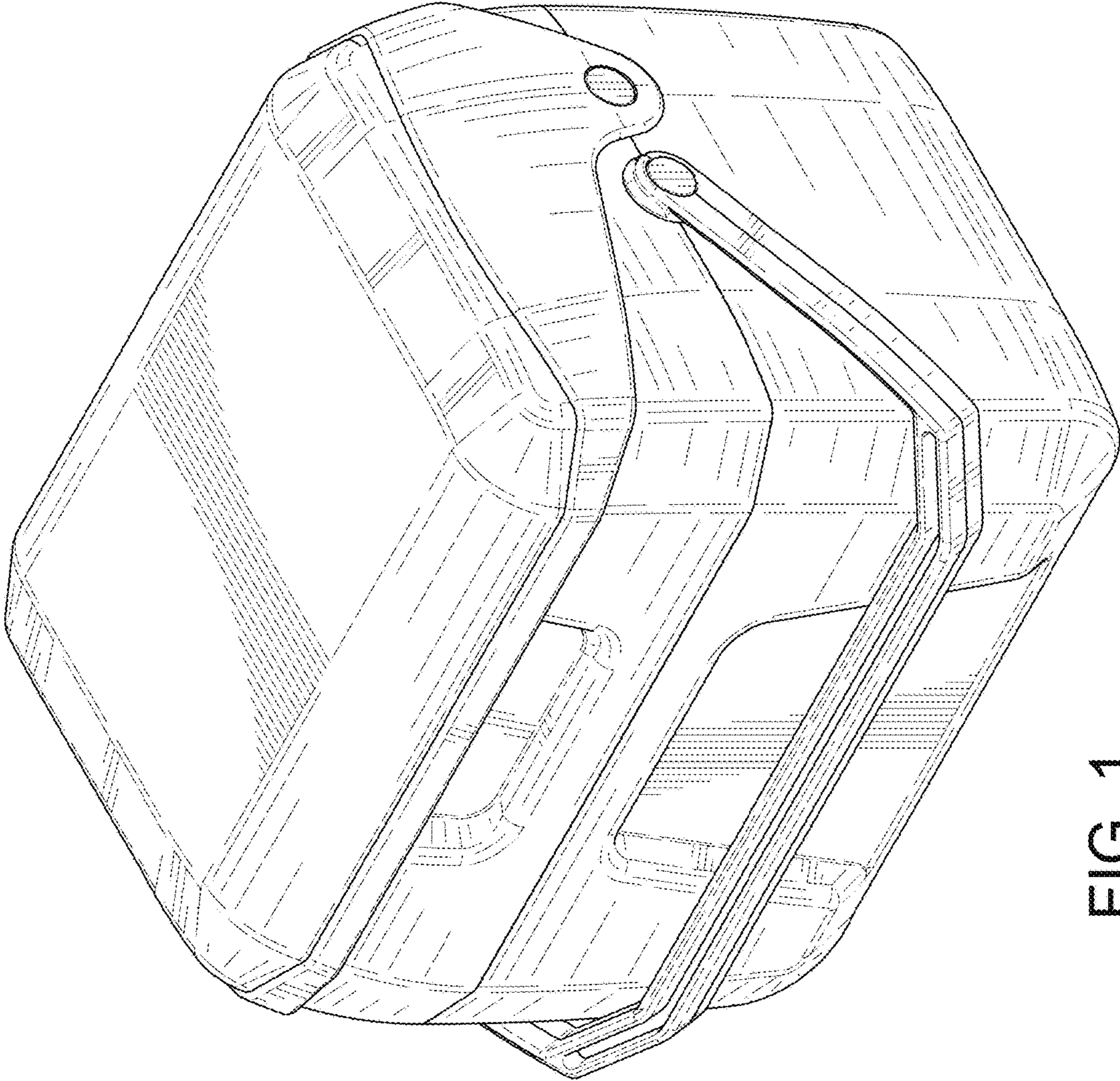


FIG. 1

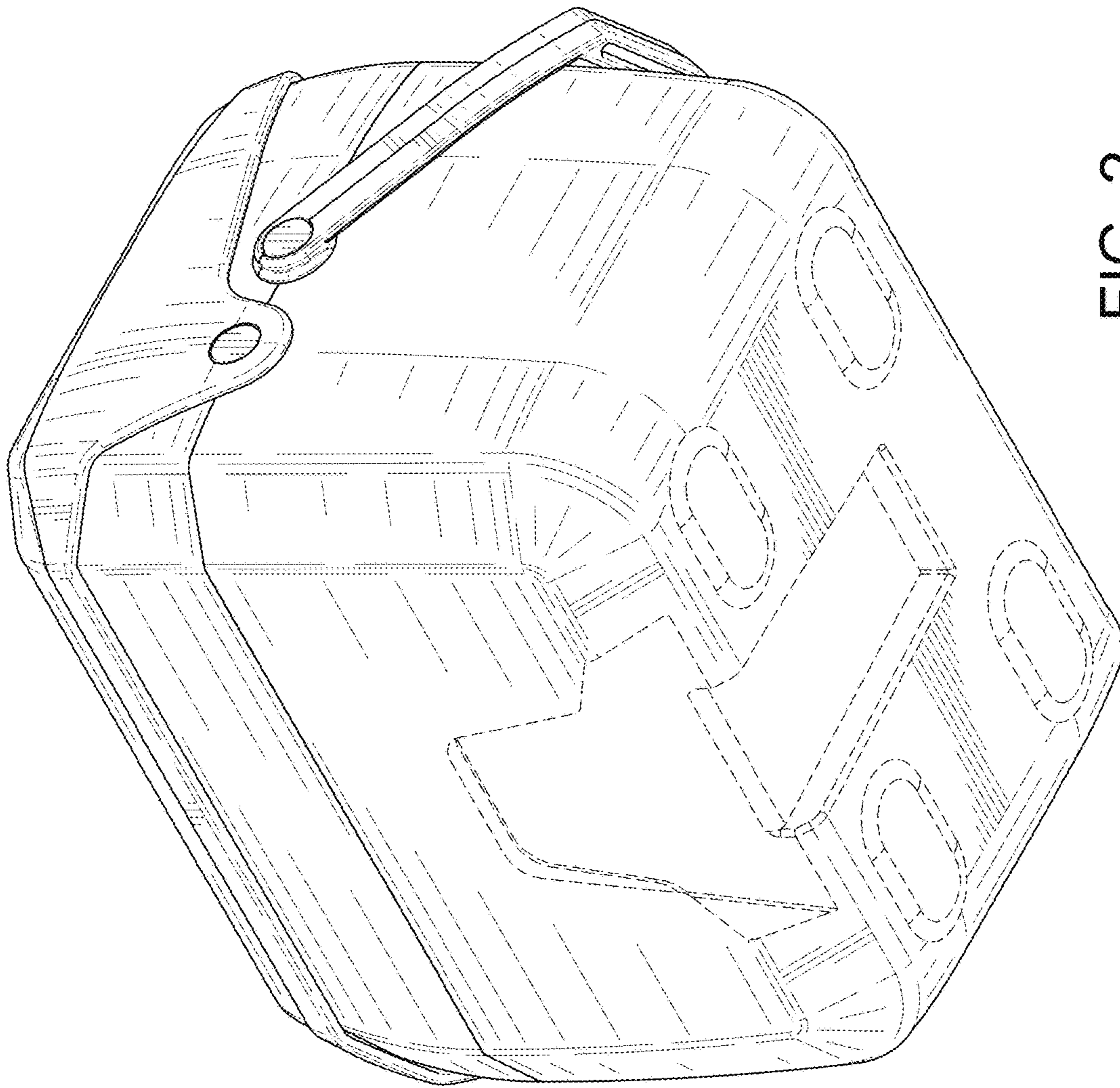


FIG. 2

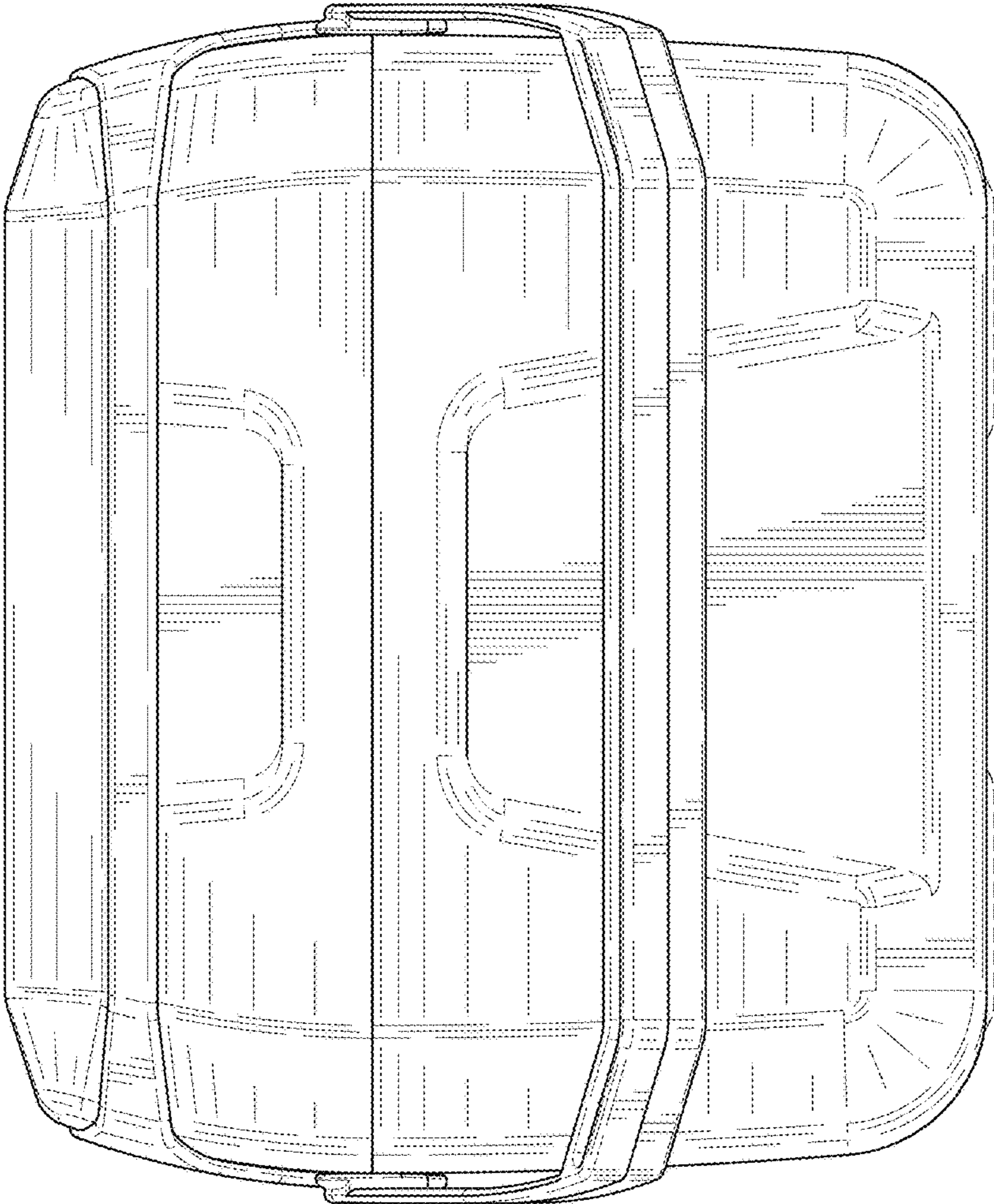


FIG. 3

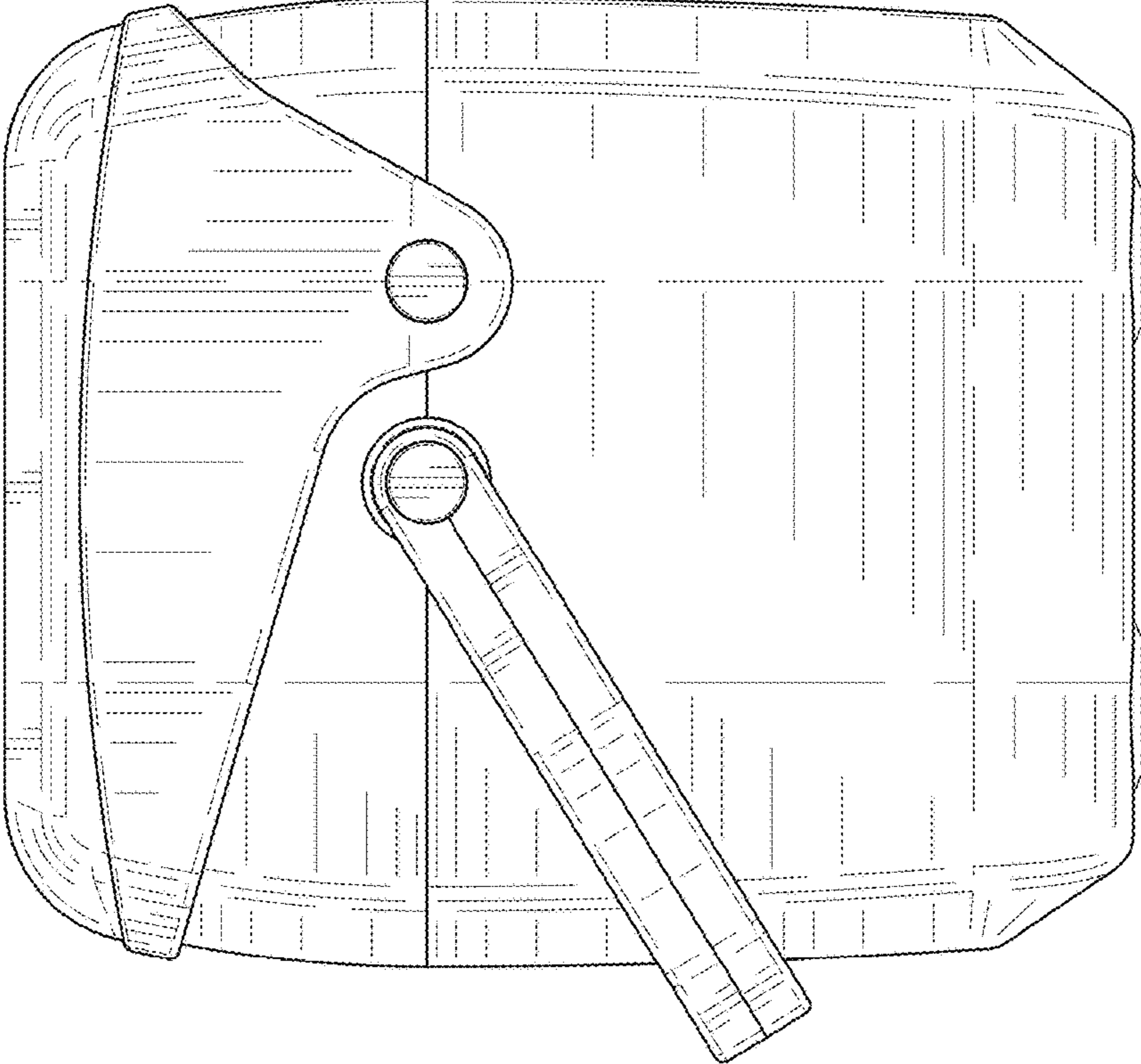


FIG. 4

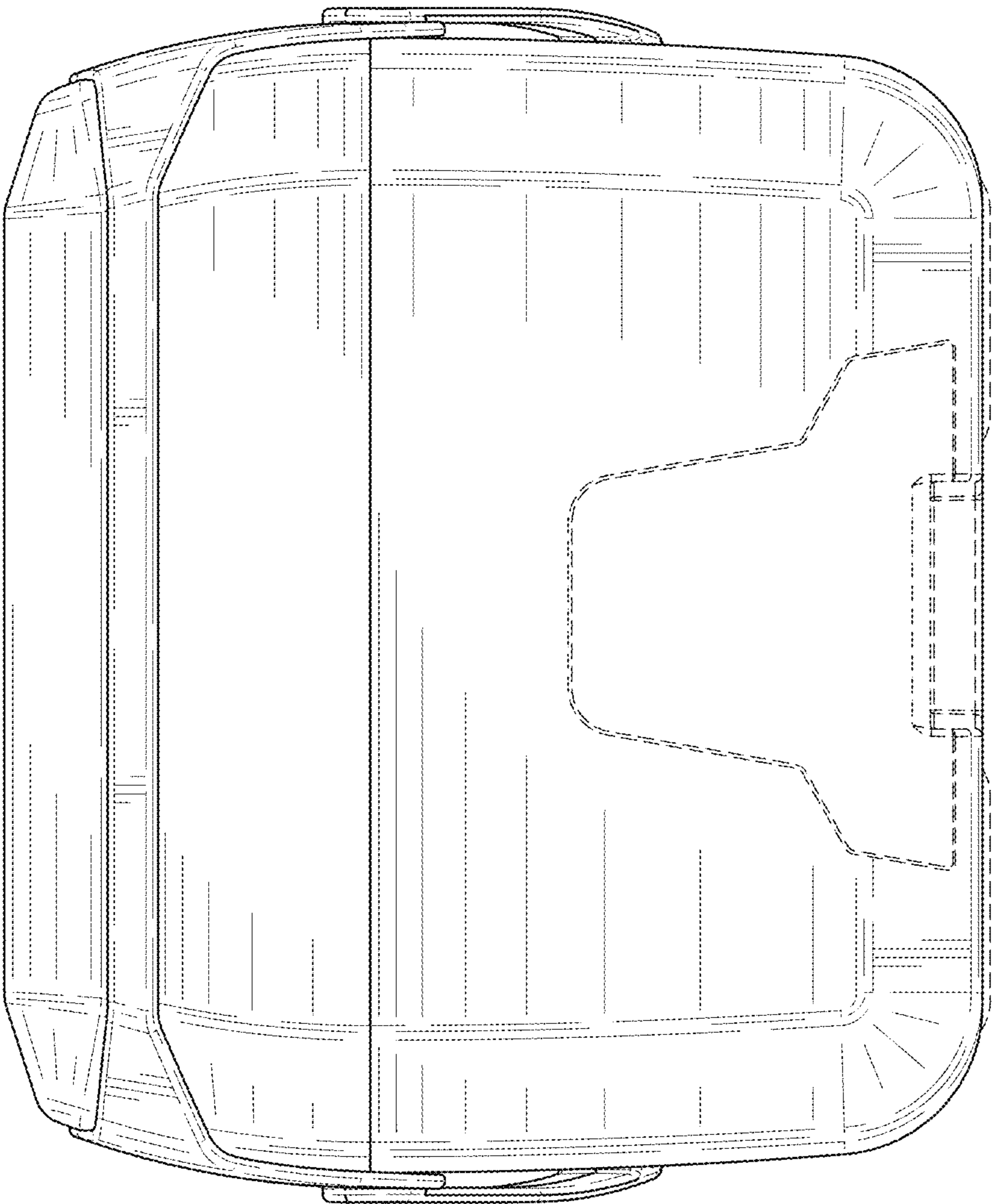


FIG. 5

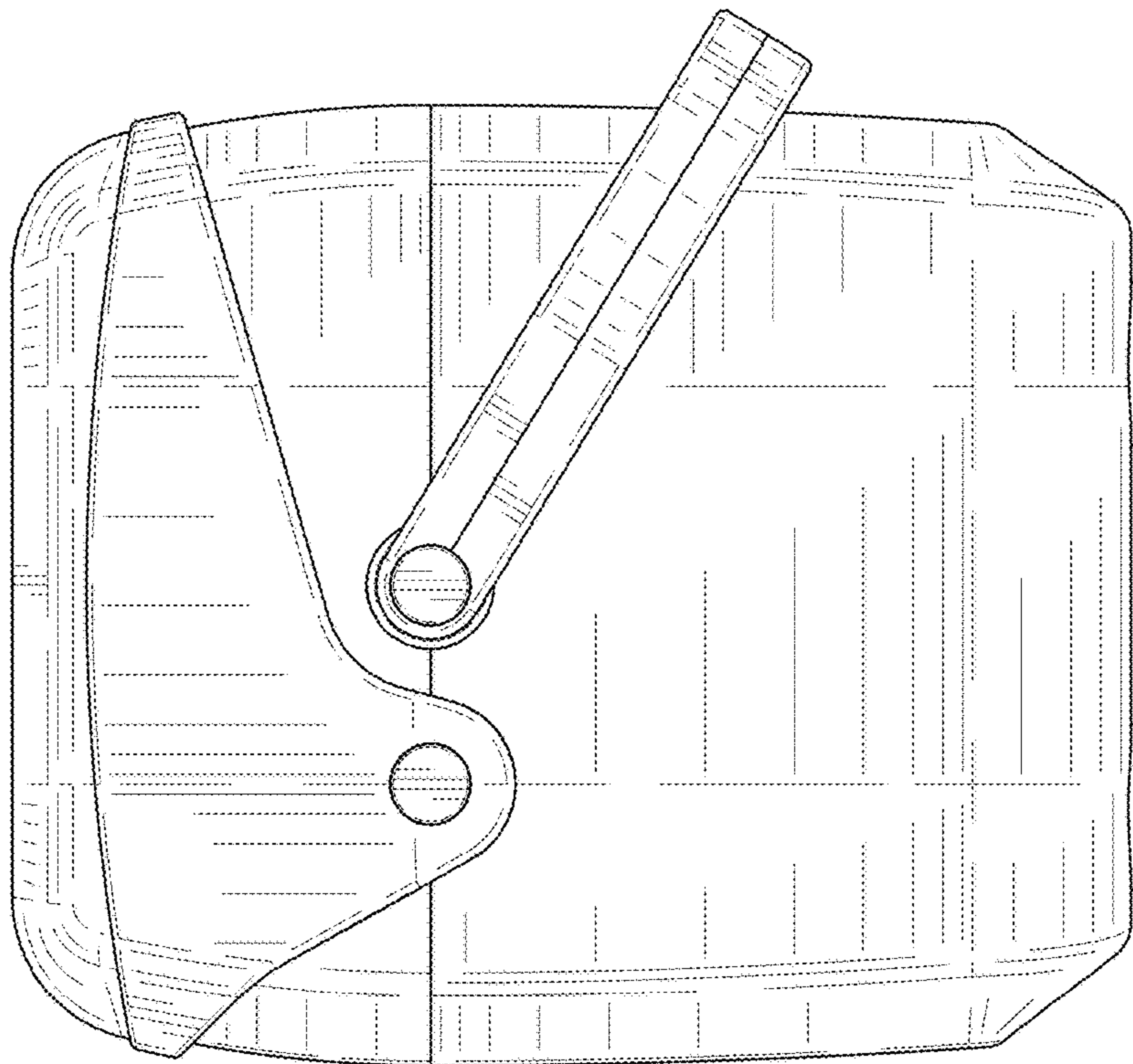


FIG. 6

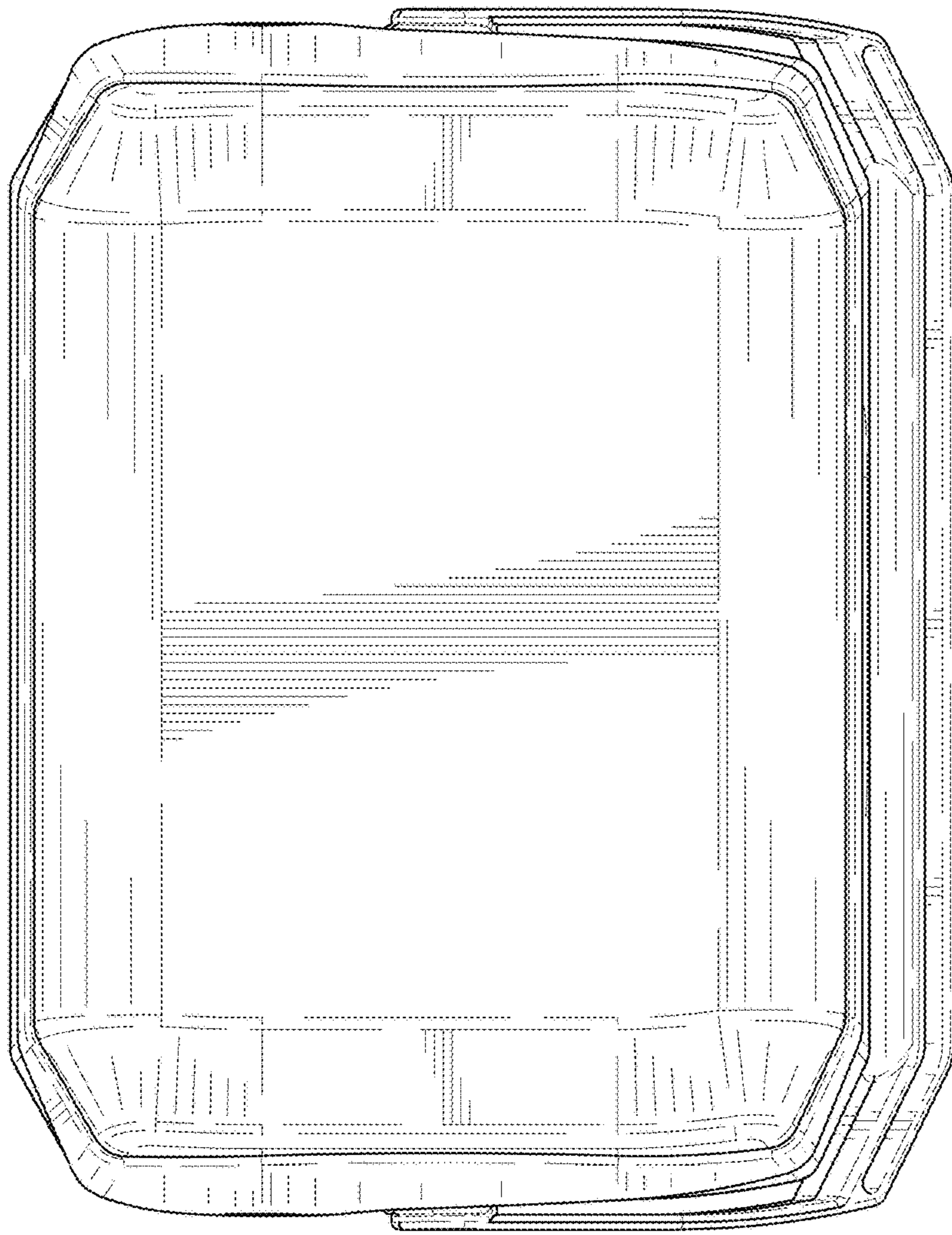


FIG. 7

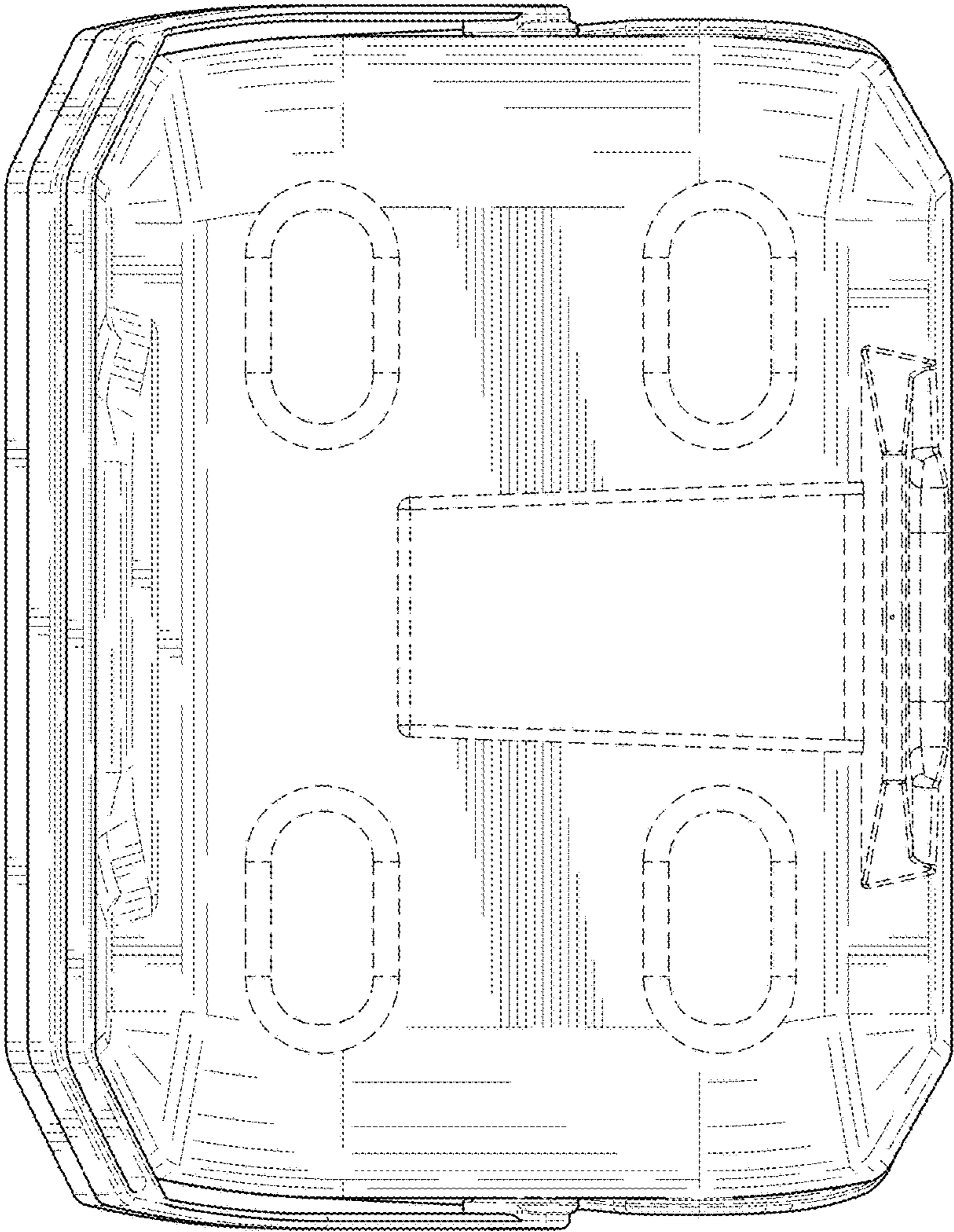


FIG. 8