



US00D820645S

(12) **United States Design Patent**  
**Edwards**

(10) **Patent No.:** **US D820,645 S**  
(45) **Date of Patent:** **\*\* Jun. 19, 2018**

- (54) **BOTTLE HOLDER**
- (71) Applicant: **Michael Eugene Edwards**, Medford, OR (US)
- (72) Inventor: **Michael Eugene Edwards**, Medford, OR (US)
- (\*\*) Term: **15 Years**
- (21) Appl. No.: **29/550,890**
- (22) Filed: **Jan. 7, 2016**
- (51) **LOC (11) Cl.** ..... **07-07**
- (52) **U.S. Cl.**  
USPC ..... **D7/602**
- (58) **Field of Classification Search**  
USPC ..... D7/619.1-625, 387, 388, 392.1, 396.2, D7/396.1, 396.6, 397, 398, 601, 602, D7/600.1, 604, 399, 605-608, 672, 698; D6/465, 466, 469, 552; D21/788, 715; D24/199, 183  
CPC ..... A47J 31/46; A47J 31/407; A47J 31/50; A47J 31/18; A47F 1/03; A47F 3/00; B67D 3/0083; F25D 2331/803  
See application file for complete search history.

- 2,646,952 A \* 7/1953 Chambers ..... A61J 9/0684 248/107
- 2,693,334 A \* 11/1954 Kacprzicki ..... A61J 9/0684 248/106
- 2,760,742 A \* 8/1956 Alger ..... A61J 9/0684 235/130 R
- 2,807,430 A \* 9/1957 Medlock ..... A61J 9/0684 248/106
- D197,828 S \* 3/1964 Reis ..... D24/199
- D198,488 S \* 6/1964 Reis ..... D19/75
- 3,615,150 A 10/1971 Indrunas
- D233,723 S 11/1974 Gutierrez
- 4,271,878 A 6/1981 Bologa
- 4,278,225 A \* 7/1981 Phelps ..... A61J 1/06 248/311.3
- 4,309,008 A 1/1982 Sirks
- D282,969 S \* 3/1986 Sukoff ..... D24/199
- D290,673 S 7/1987 Imatt
- D300,290 S 3/1989 Moberg
- D306,952 S \* 4/1990 Goeman ..... D24/199

(Continued)

*Primary Examiner* — Shannon W Morgan  
(74) *Attorney, Agent, or Firm* — Jerry Haynes Law

(57) **CLAIM**

The ornamental design for a bottle holder, as shown and described.

**DESCRIPTION**

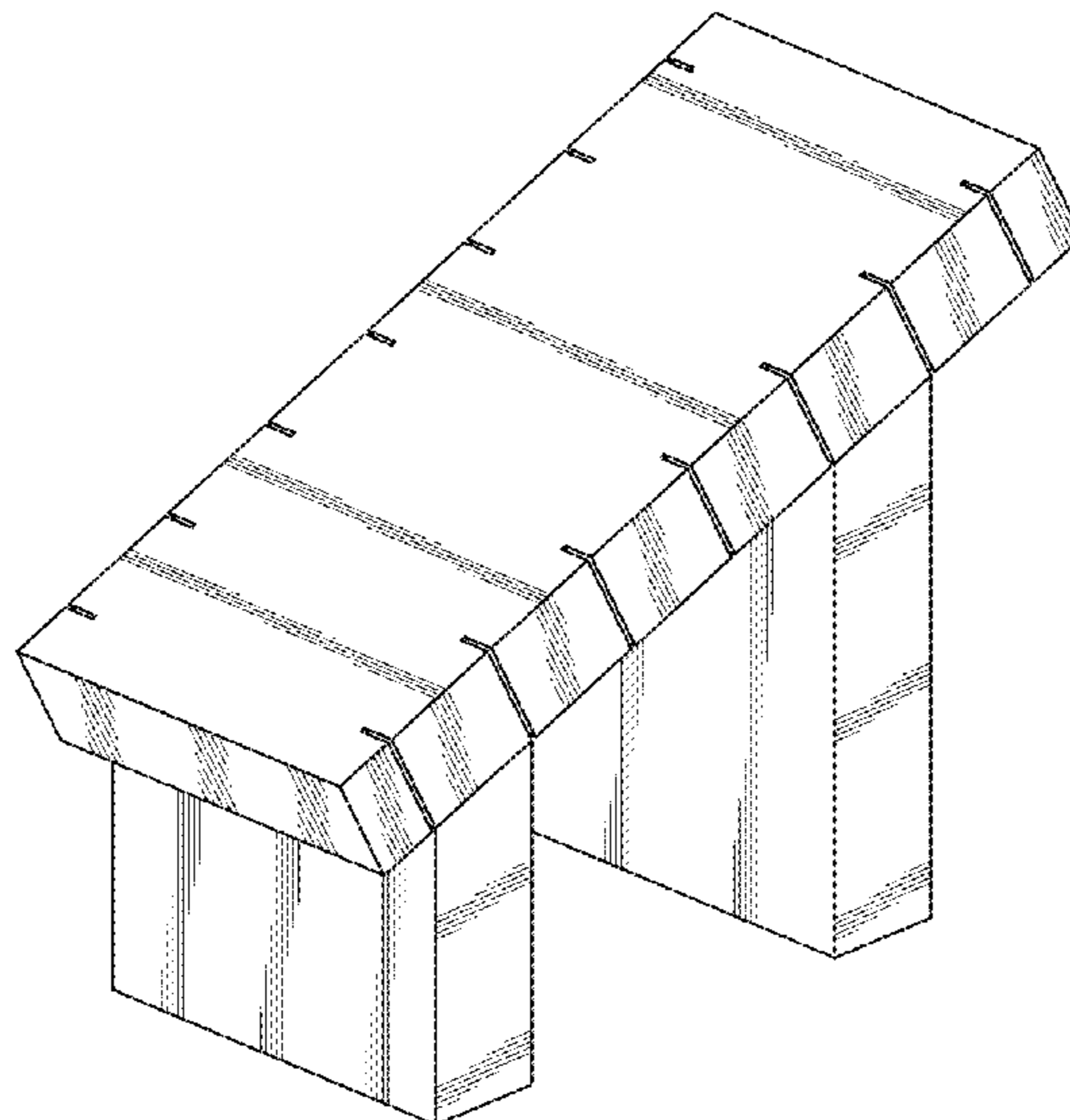
FIG. 1 is a left side perspective view of a bottle holder showing the new design;  
FIG. 2 is a front view thereof;  
FIG. 3 is a rear view thereof;  
FIG. 4 is a right side view and a mirror image left side view thereof;  
FIG. 5 is a top view thereof;  
FIG. 6 is a bottom thereof; and,  
FIG. 7 is another left side perspective view thereof.  
The broken lines shown in FIG. 7 depict environmental subject matter and forms no part of the claimed design.

**1 Claim, 7 Drawing Sheets**

(56) **References Cited**

U.S. PATENT DOCUMENTS

- 883,906 A \* 4/1908 Swan ..... A47F 3/00 206/373
- 1,886,619 A \* 11/1932 Arnone ..... A61J 9/0684 248/105
- 2,340,645 A \* 2/1944 Creed ..... A61J 9/0684 211/74
- 2,348,816 A \* 5/1944 Hyams ..... A61J 9/0684 248/106
- 2,489,773 A \* 11/1949 Hall ..... A61J 9/0684 215/11.6
- 2,648,513 A 1/1952 Groff



(56)

References Cited

U.S. PATENT DOCUMENTS

5,022,616 A *	6/1991	Kordecki .....	A61J 9/0638	7,090,087 B1	8/2006	Guralski	
			248/106	D536,933 S *	2/2007	Perlman .....	D7/619.1
D321,963 S	11/1991	Welder		D551,513 S *	9/2007	Fiorella .....	D28/61
D326,976 S *	6/1992	Wickis, Jr. ....	D24/183	7,275,662 B1 *	10/2007	Milcetic .....	B67D 3/0083
5,188,320 A *	2/1993	Polka .....	A61J 9/0684				211/74
			248/102	D578,355 S *	10/2008	Arney .....	D7/601
D336,005 S *	6/1993	Keup .....	D7/313	7,490,798 B2	2/2009	Mann	
D361,131 S *	8/1995	Leopold .....	D24/199	D613,410 S *	4/2010	Genelli .....	D24/183
D363,549 S *	10/1995	Ye .....	D24/199	D651,471 S *	1/2012	Harrington .....	D7/601
D379,660 S *	6/1997	Aube .....	248/105	D677,130 S *	3/2013	Robinson .....	D7/698
D396,933 S *	8/1998	Boggs .....	D99/37	D718,582 S *	12/2014	Parijogi .....	D7/698
5,918,838 A *	7/1999	Strandberg .....	A61J 9/0638	9,131,794 B2	9/2015	McClain	
			248/102	D779,628 S *	2/2017	Smith .....	D23/206
5,924,659 A	7/1999	Babcock		2013/0162133 A1 *	6/2013	Arslankiray .....	F25D 31/007
6,055,667 A *	5/2000	Jimenez .....	A61J 9/0669				312/405
			2/49.1				

\* cited by examiner

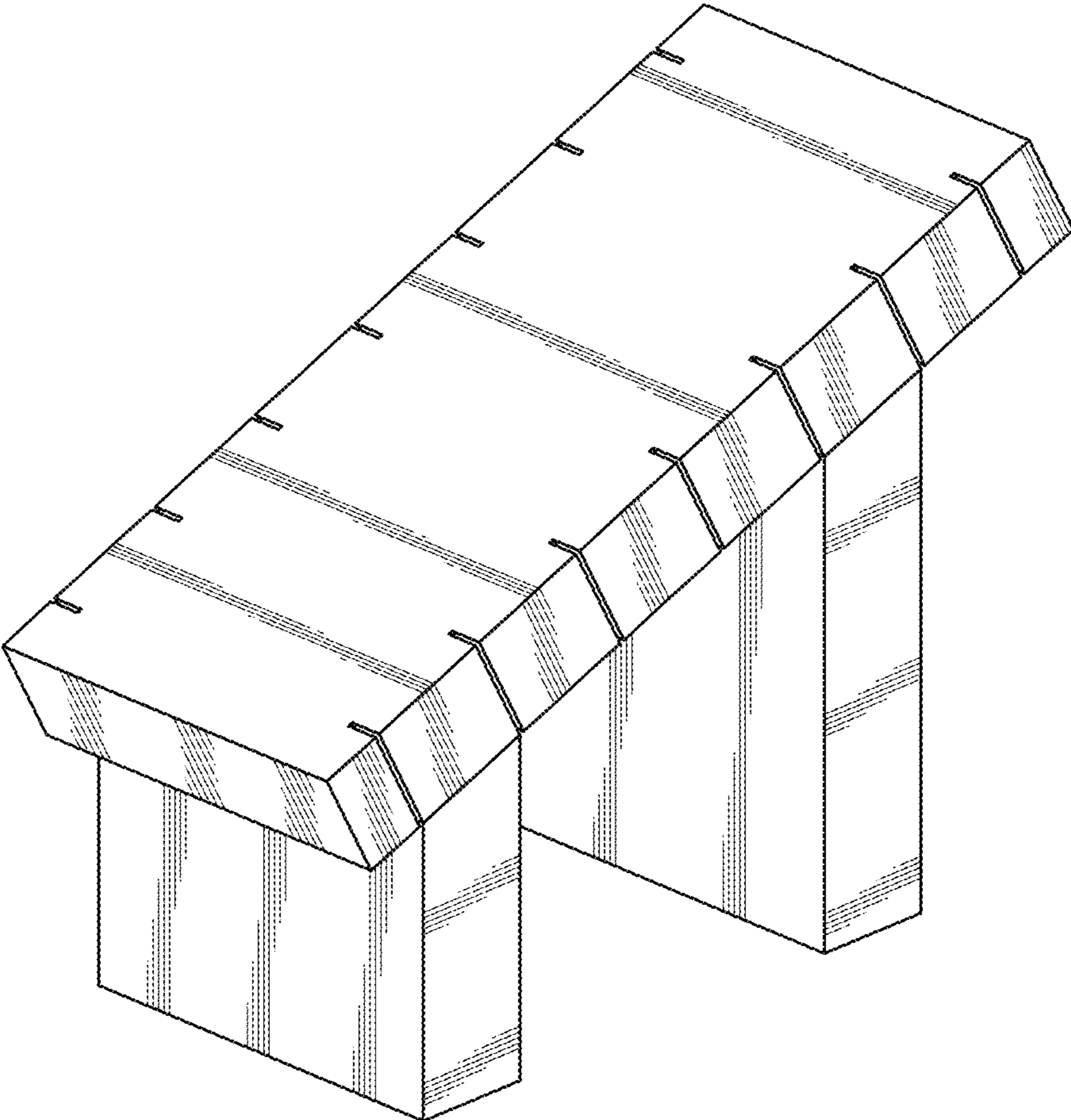


FIG. 1

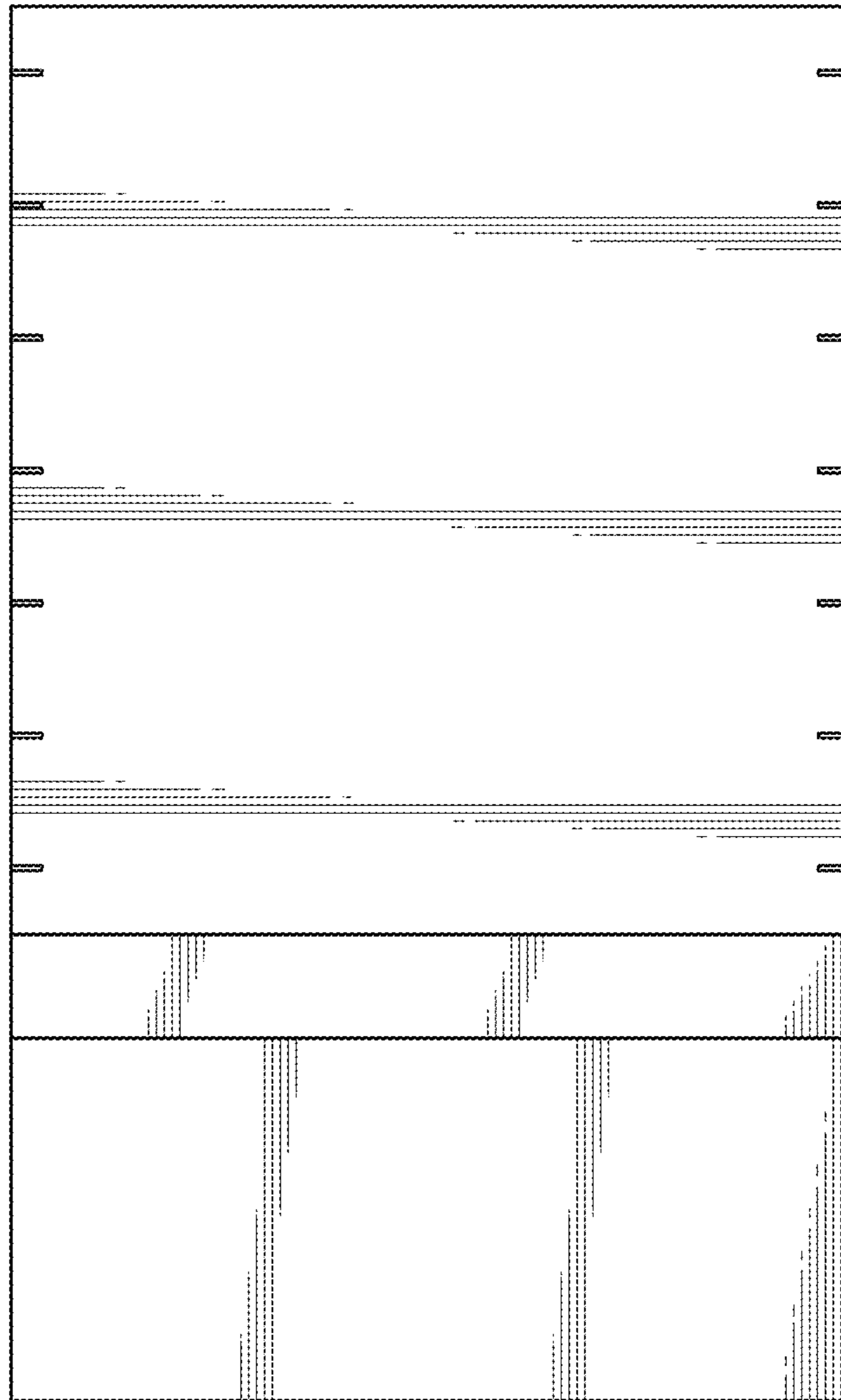


FIG. 2

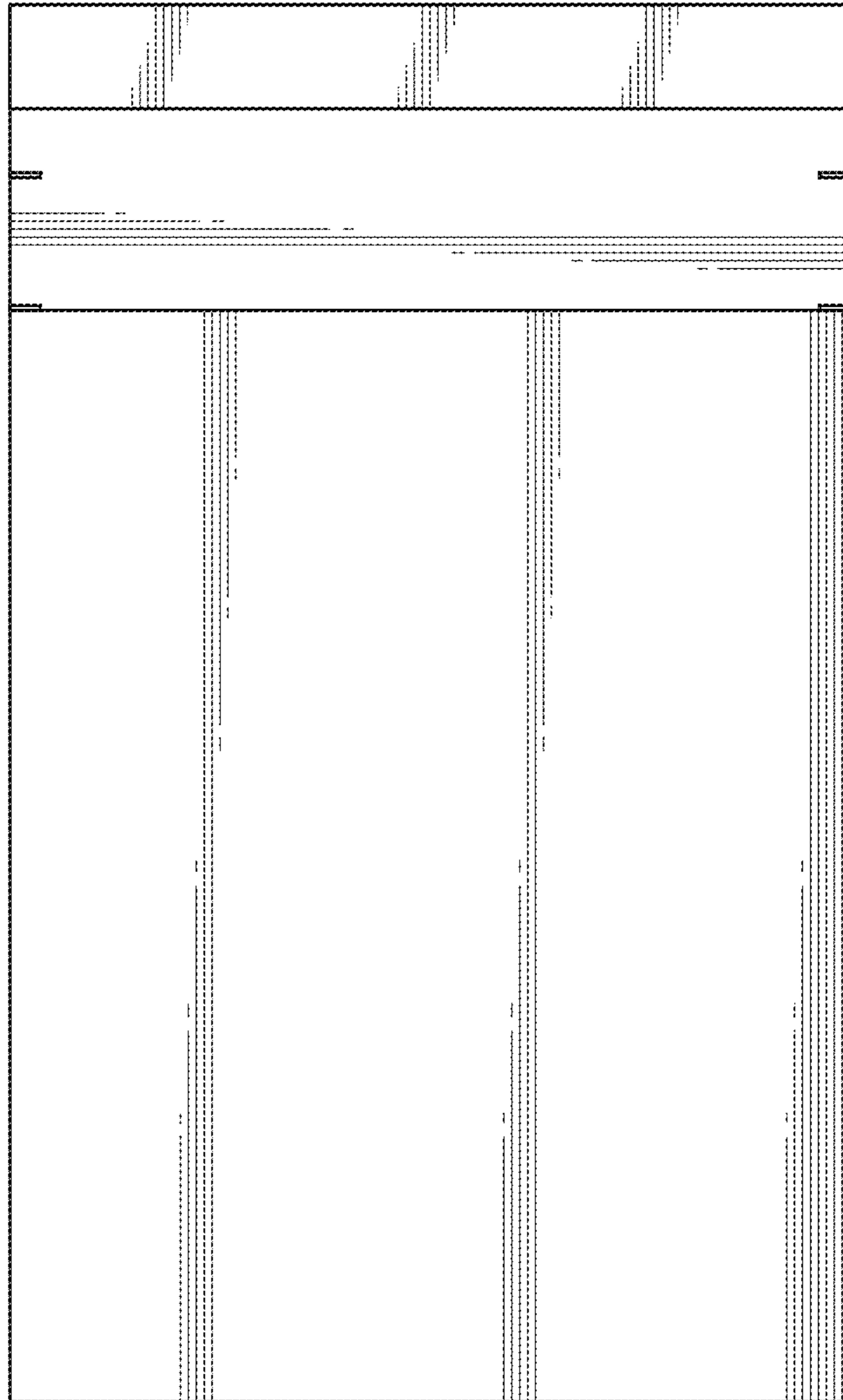


FIG. 3



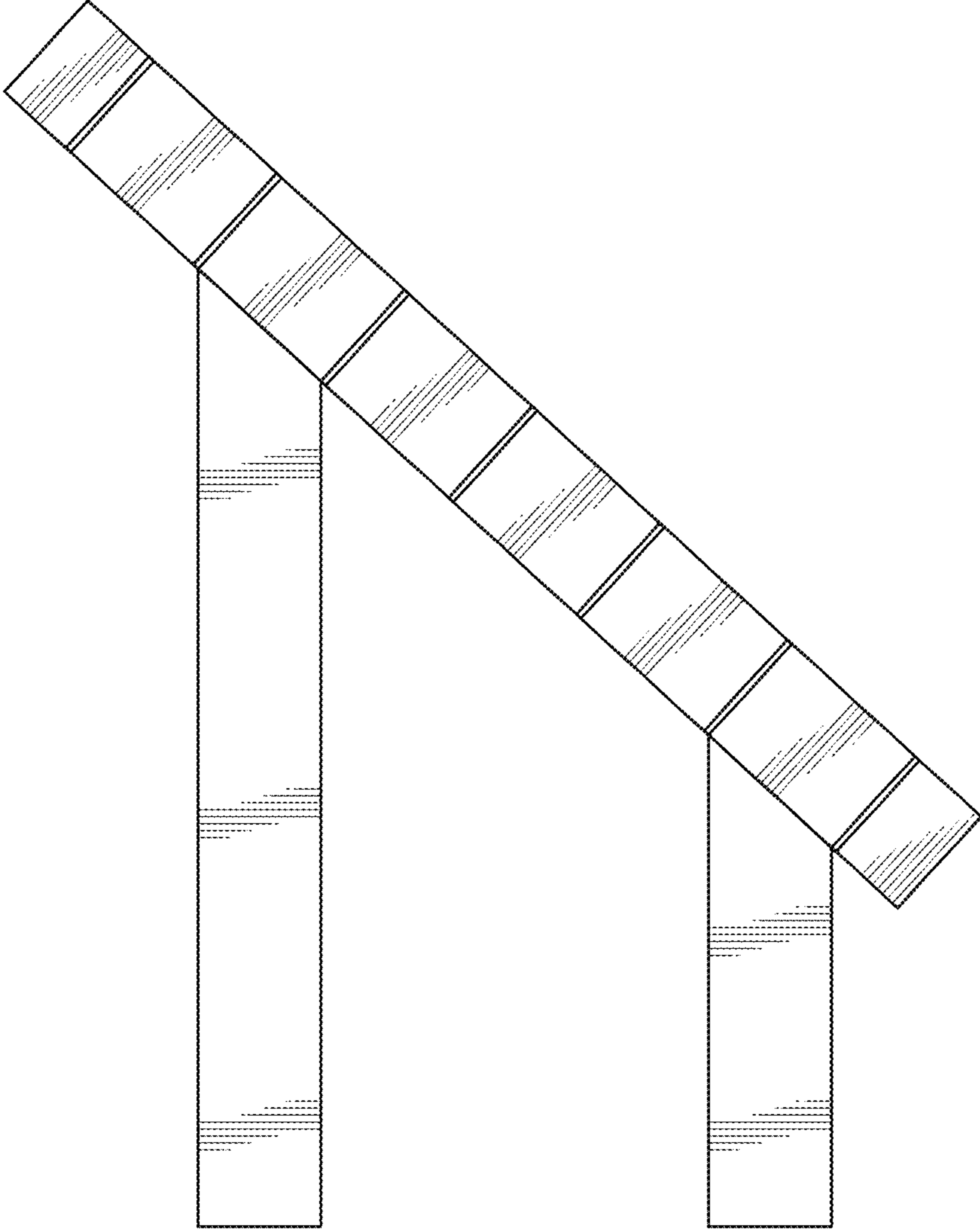


FIG. 4

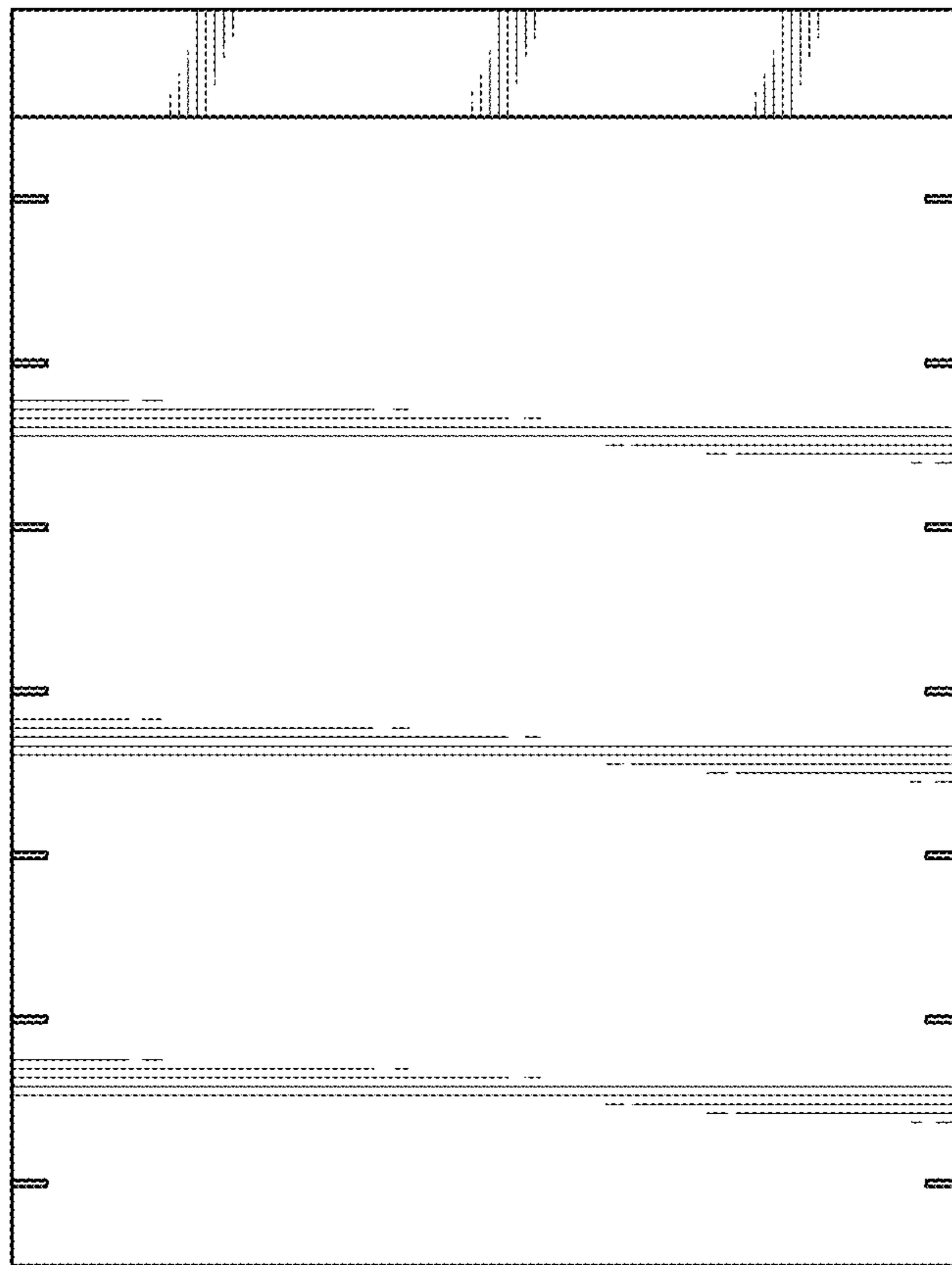


FIG. 5

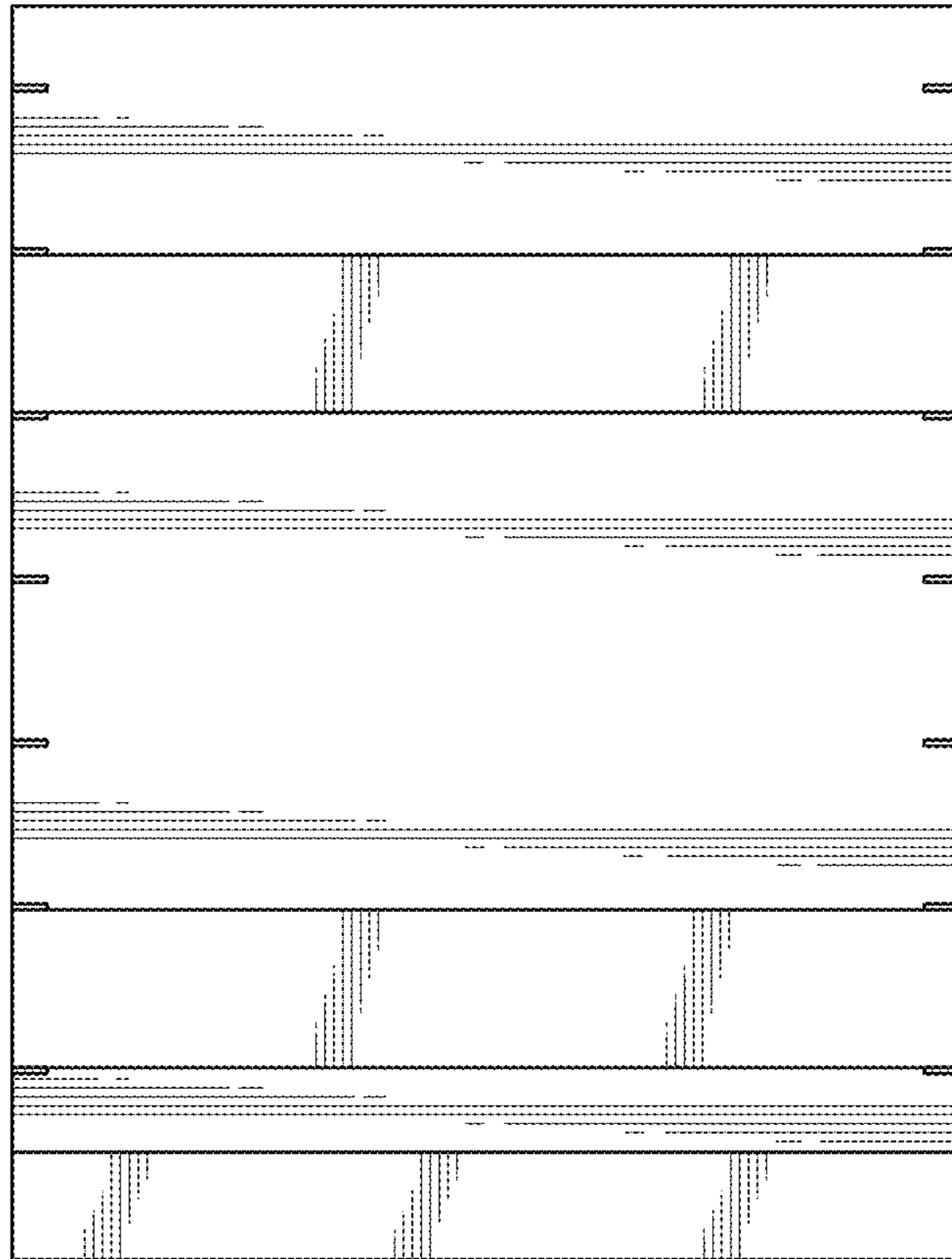


FIG. 6



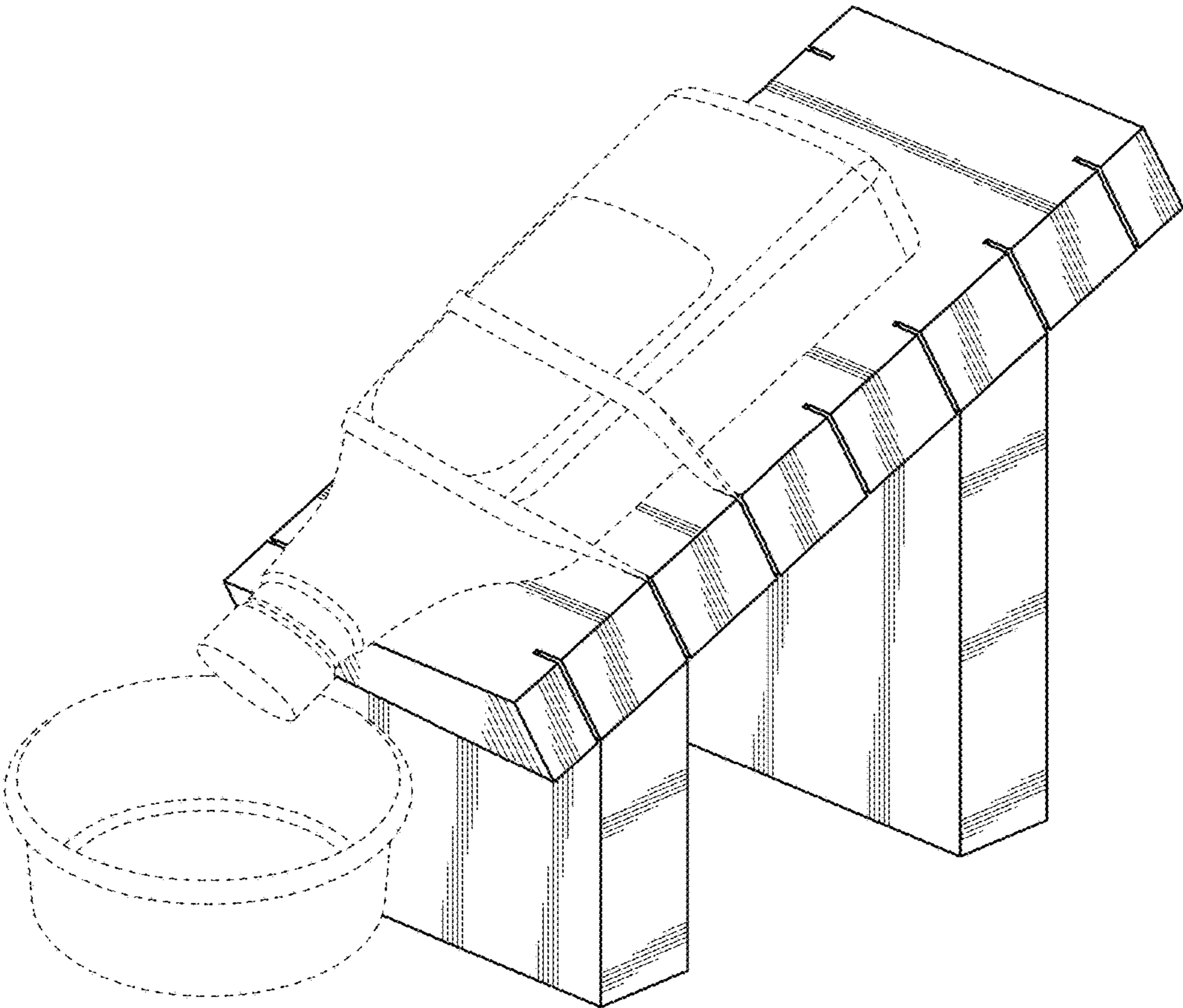


FIG. 7