



US00D820644S

(12) **United States Design Patent**
Mubarak

(10) **Patent No.:** **US D820,644 S**
(45) **Date of Patent:** **** Jun. 19, 2018**

(54) **CADDY**

(71) Applicant: **Tray Diva LLC**, New Orleans, LA
(US)

(72) Inventor: **Diva S. Mubarak**, New Orleans, LA
(US)

(73) Assignee: **Tray Diva, LLC**, New Orleans, LA
(US)

(**) Term: **14 Years**

(21) Appl. No.: **29/518,156**

(22) Filed: **Feb. 20, 2015**

(51) **LOC (11) Cl.** **07-06**

(52) **U.S. Cl.**
USPC **D7/590**

(58) **Field of Classification Search**
USPC D7/590, 628, 601, 602, 604, 605, 606,
D7/608, 612, 613, 614, 615, 705, 708,
D7/619.1, 619.2, 622, 623, 624.1-624.3,
D7/625, 709, 630, 640, 639, 500, 505,
D7/506, 507, 509, 510, 511, 514, 515,
D7/516, 517, 519, 533, 539, 540, 542,
D7/543, 544, 545; D9/600, 651, 601,
D9/605, 607, 500, 516, 521; D3/270,
D3/271; 206/457
CPC .. F25D 3/08; B65D 25/30; B65D 7/24; B65D
81/3876; B65D 81/3879; B65D 23/104;
B65D 81/38; B65D 81/3886; B65D
81/3883; B65D 81/3881; A45C 11/20;
A47G 23/0216; A47G 19/2288; A45F
2200/0583; A61F 7/10; B31D 5/0086
See application file for complete search history.

(56) **References Cited**

U.S. PATENT DOCUMENTS

D160,764 S * 11/1950 Bender D7/620
D161,571 S * 1/1951 Dauenhauer 224/163

D200,020 S * 1/1965 Reiss D3/308
D228,335 S * 9/1973 Jackson 220/741
D314,658 S * 2/1991 Ancona D3/308
D326,173 S * 5/1992 Newbold D34/1
D333,756 S * 3/1993 Campbell D6/513
D340,622 S * 10/1993 Park D6/513
D353,840 S * 12/1994 Dietterich D19/77
D355,336 S * 2/1995 Dickey D7/620
D364,539 S * 11/1995 Dickey D7/620
D365,250 S * 12/1995 Bergin D7/620
D391,452 S * 3/1998 Huebert D7/620
D651,472 S * 1/2012 Brown D7/605
D697,766 S * 1/2014 Smith D7/622
D703,700 S * 4/2014 Tussy D15/83
D703,701 S * 4/2014 Tussy D15/83
D703,702 S * 4/2014 Tussy D15/83
D703,703 S * 4/2014 Tussy D15/83
D704,234 S * 5/2014 Tussy D15/83

(Continued)

Primary Examiner — Shannon W Morgan
(74) *Attorney, Agent, or Firm* — GTC Law Group PC &
Affiliates

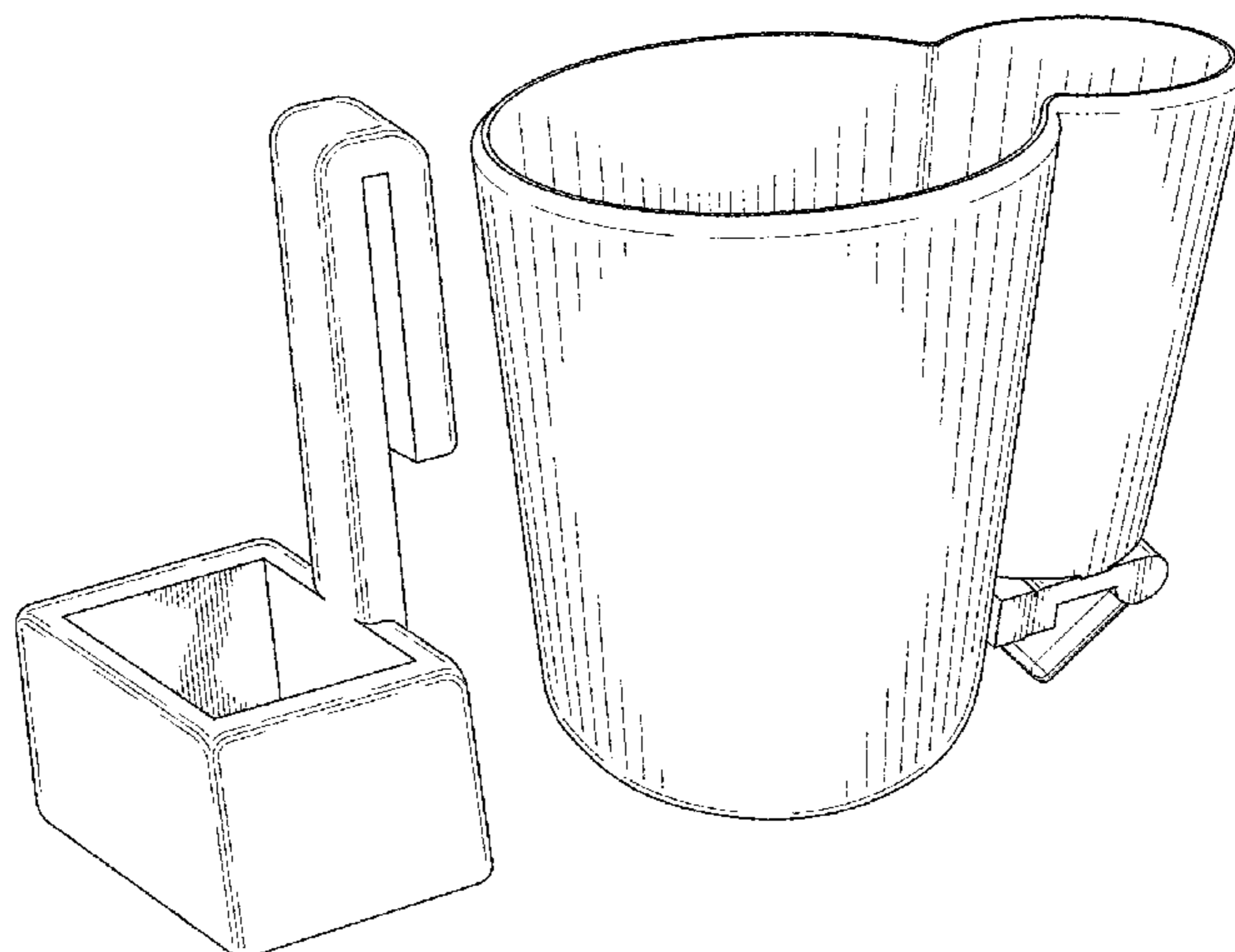
(57) **CLAIM**

The ornamental design for a caddy, as shown and described.

DESCRIPTION

FIG. 1 is a front perspective view of a caddy showing the new design;
FIG. 2 is a right side elevation view thereof;
FIG. 3 is a left side elevation view thereof;
FIG. 4 is a front elevation view thereof;
FIG. 5 is a back elevation view thereof;
FIG. 6 is a top plan view thereof; and,
FIG. 7 is a bottom plan view thereof.
The broken lines and areas within depicted in FIG. 6 depict portions of the caddy that form no part of the claimed design.

1 Claim, 4 Drawing Sheets



(56)

References Cited

U.S. PATENT DOCUMENTS

D714,594 S * 10/2014 Blandl D12/419
D727,112 S * 4/2015 Henry D7/620

* cited by examiner

Fig. 1

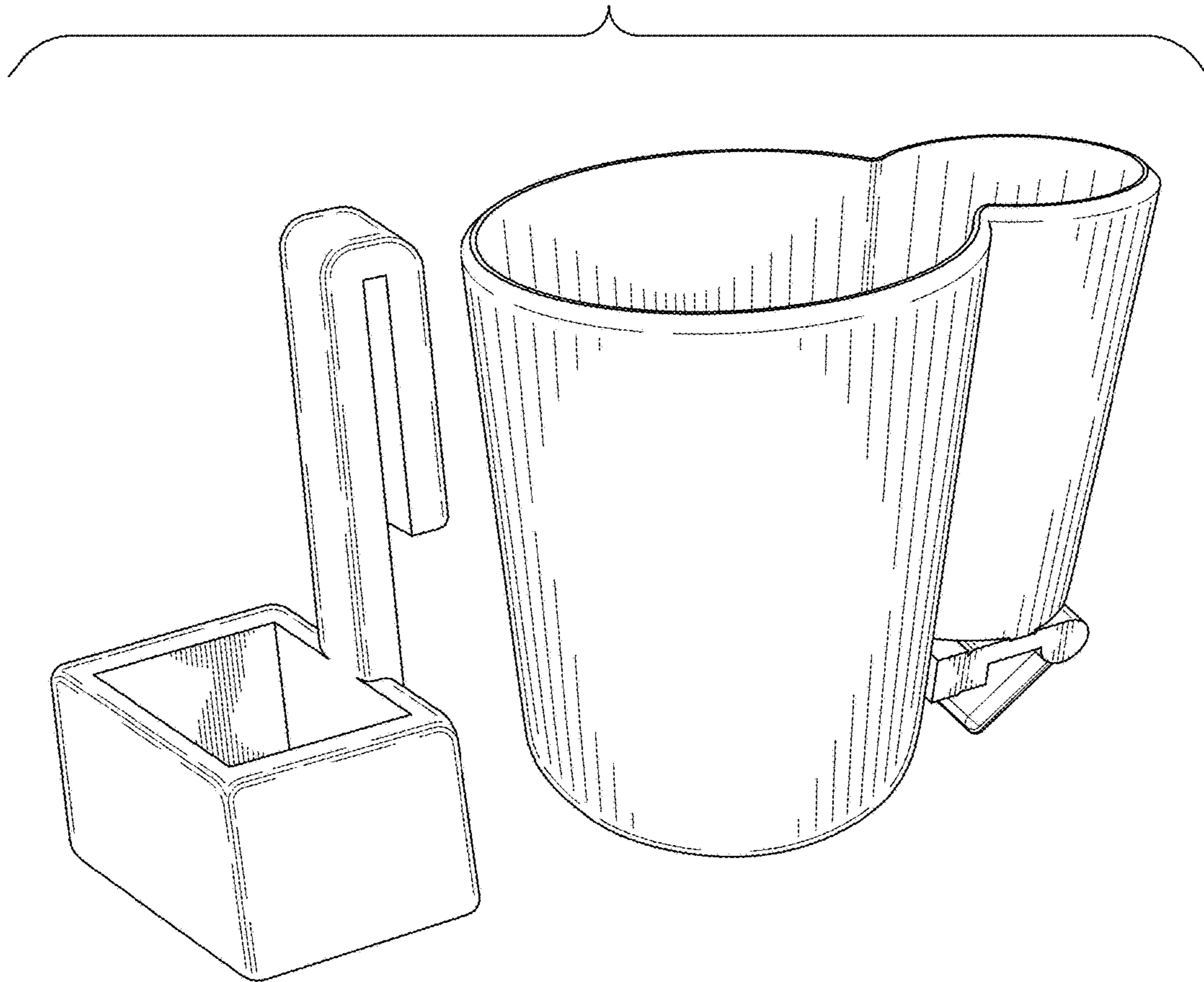


Fig. 2

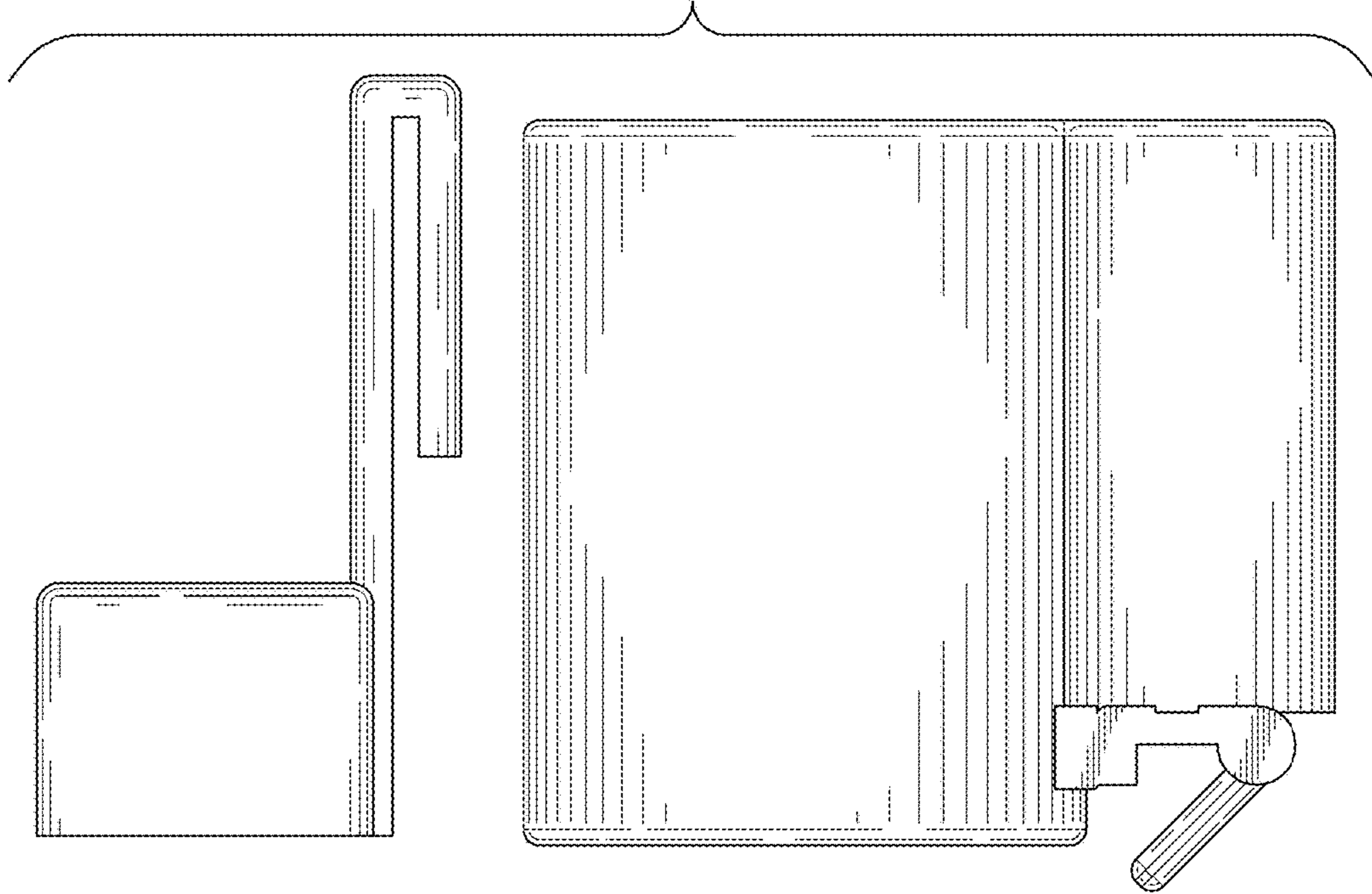


Fig. 3

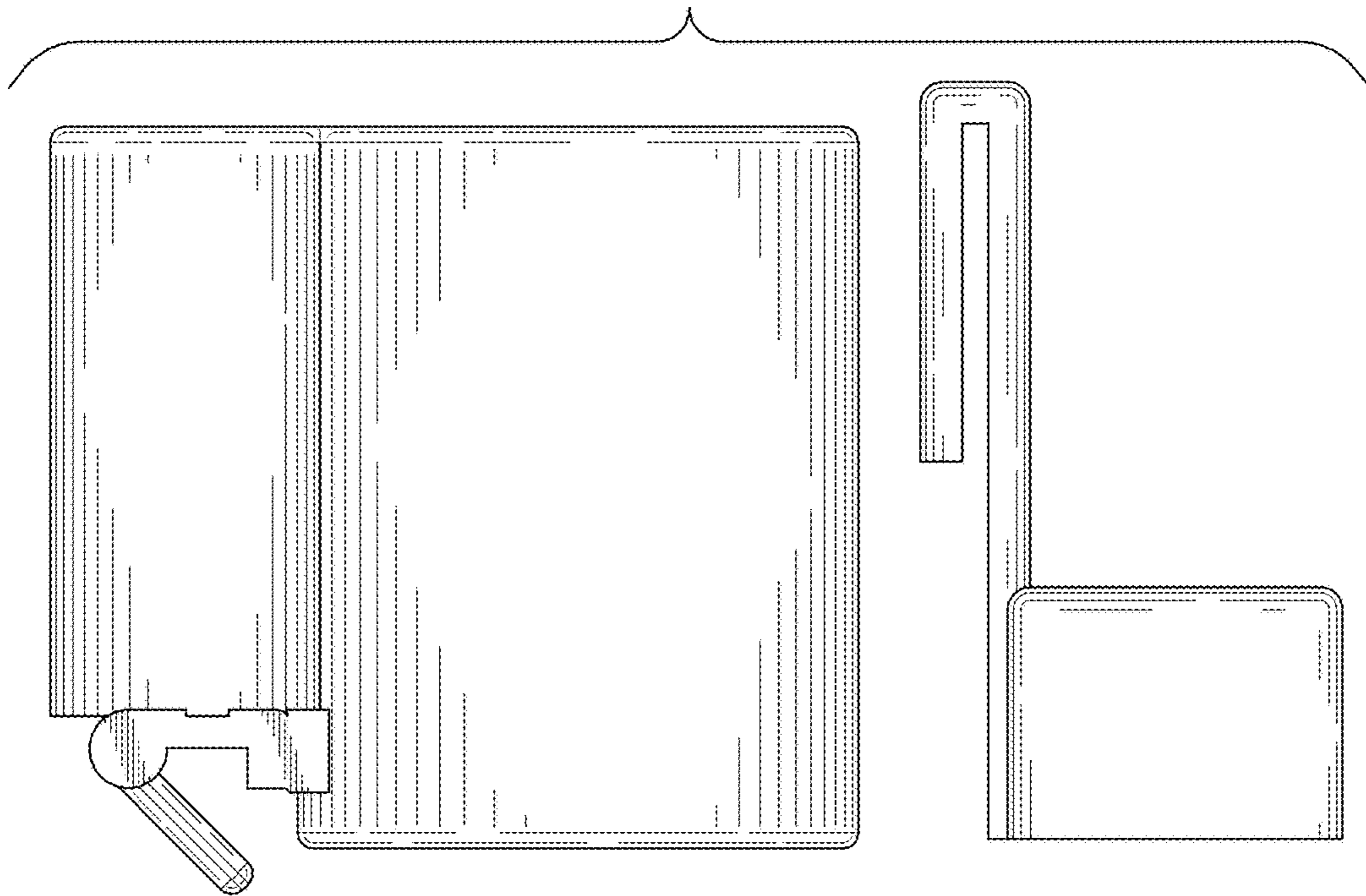


Fig. 4

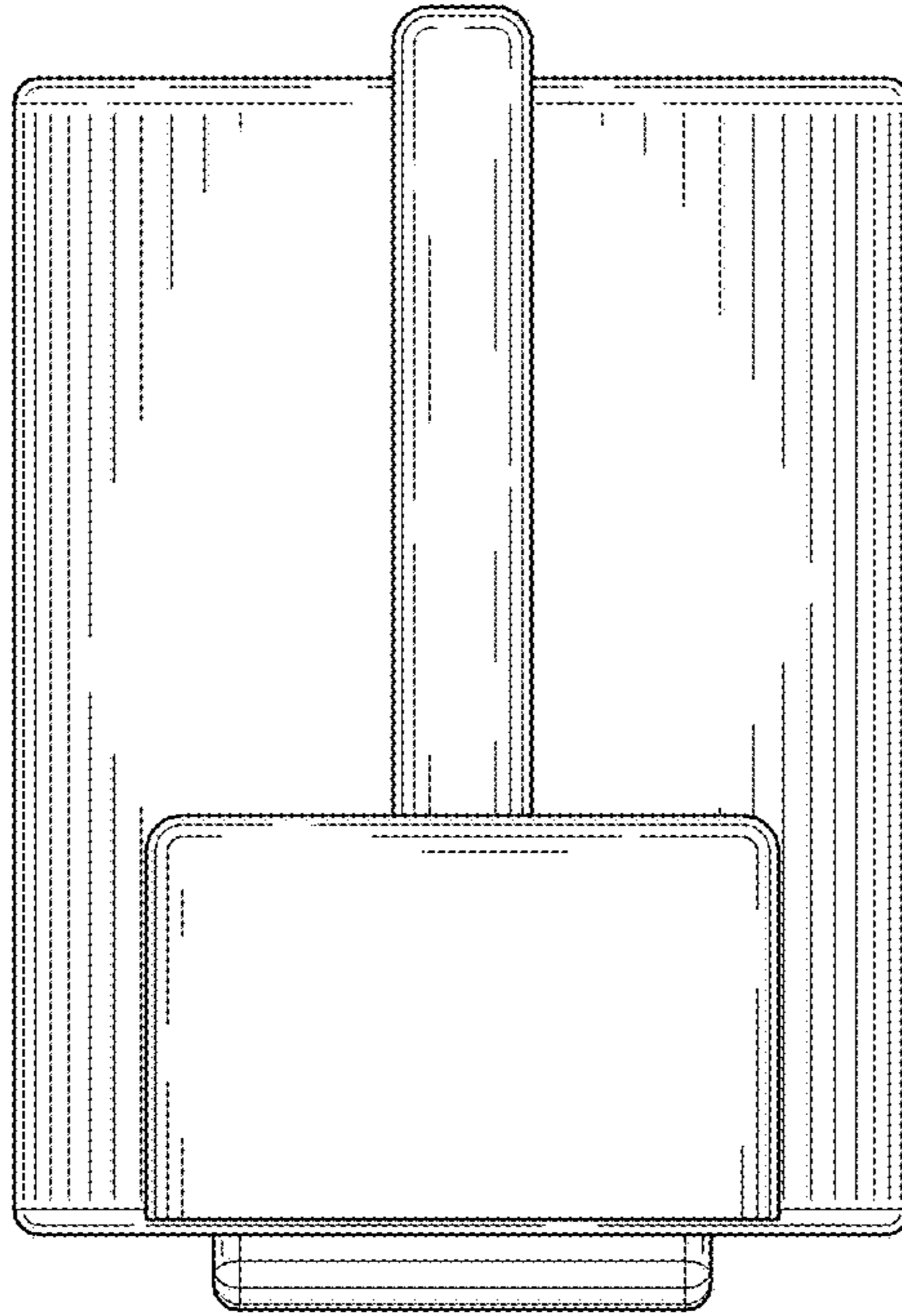


Fig. 5

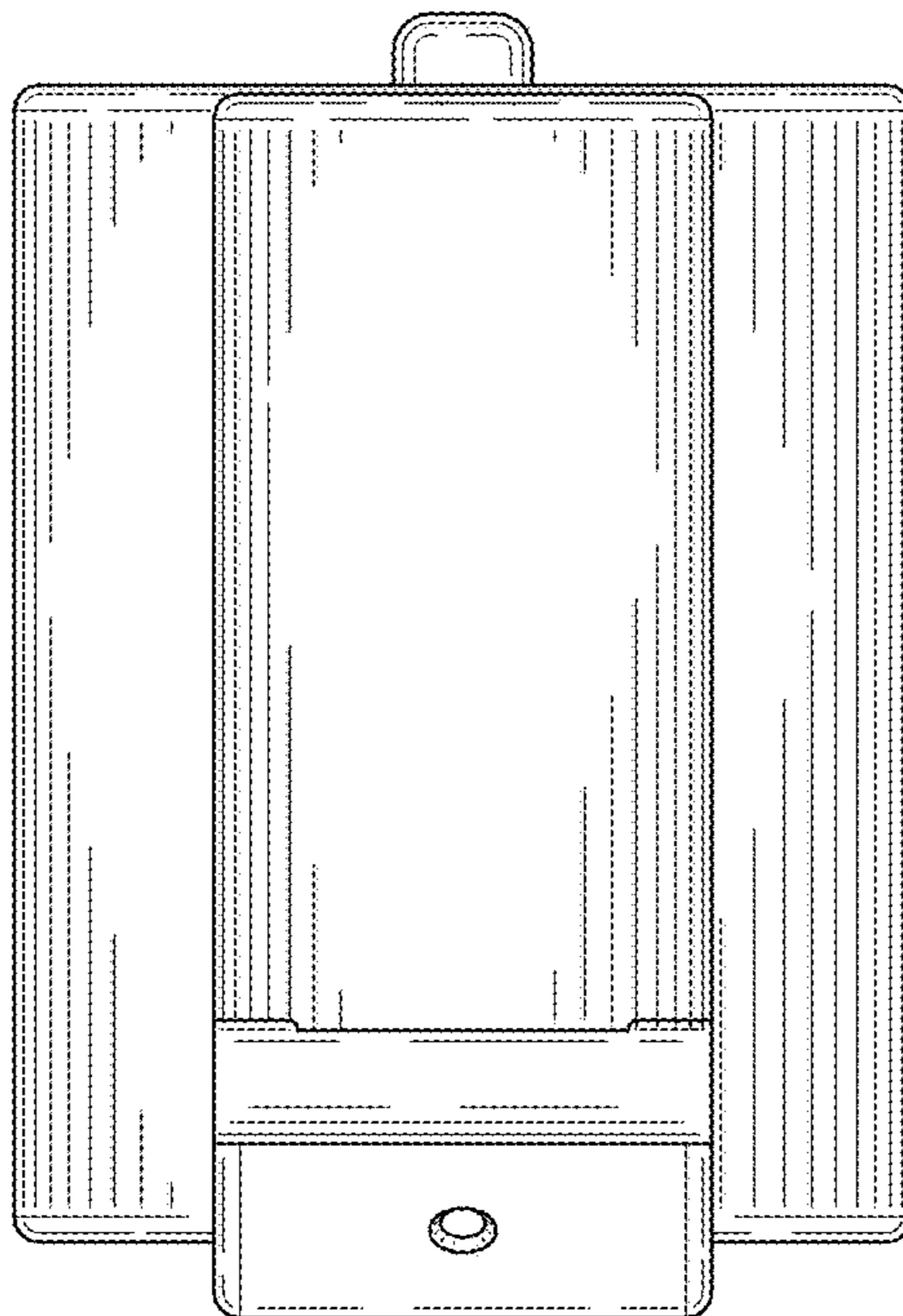


Fig. 6

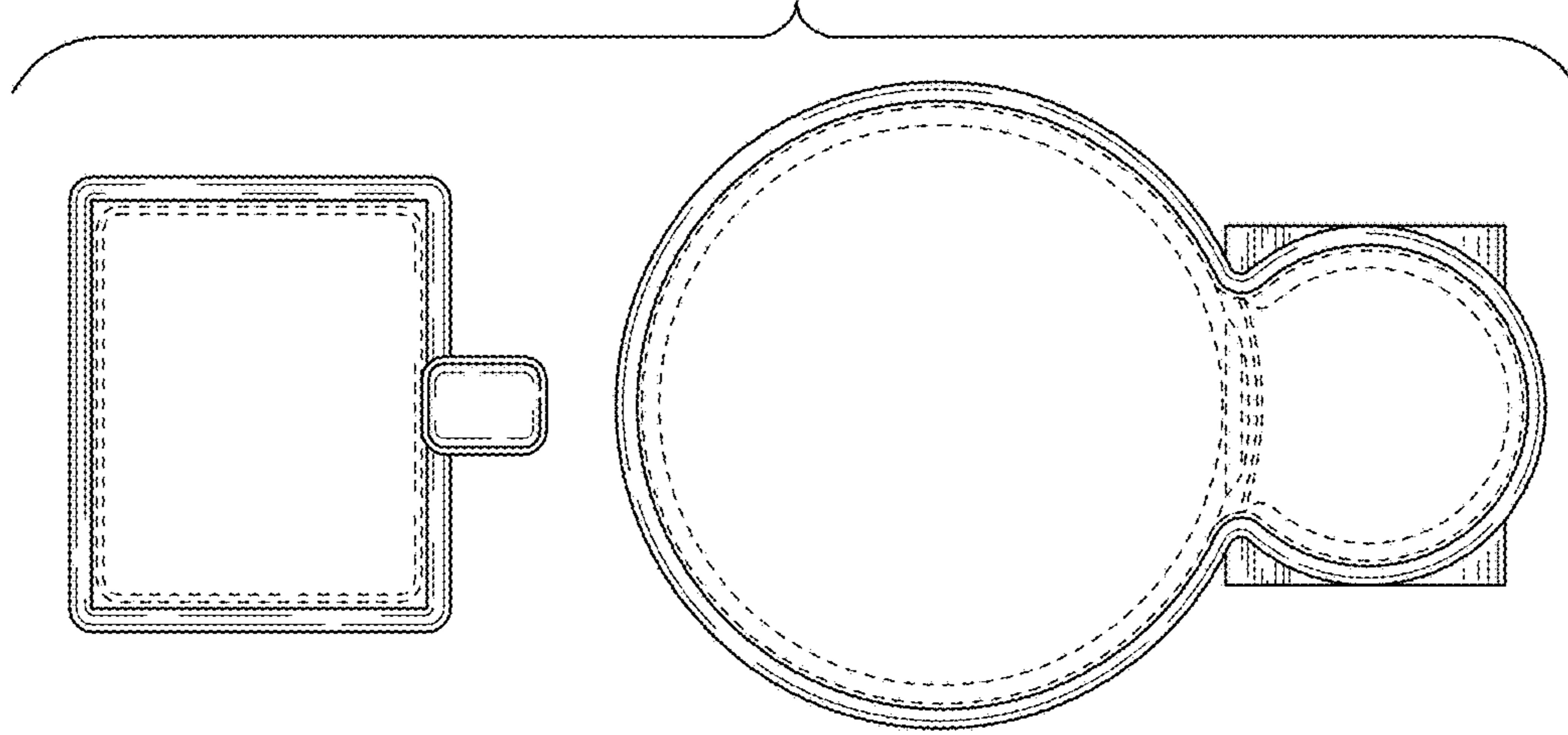


Fig. 7

